

Service  
Service  
Service

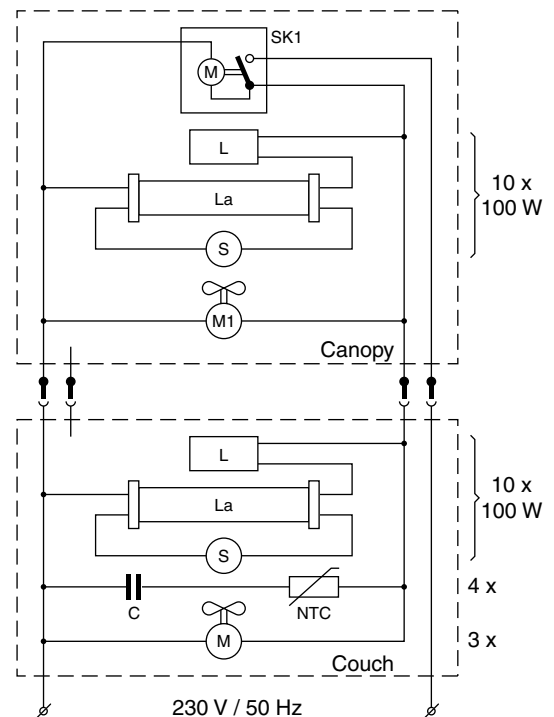


Philips Domestic Appliances and Personal Care

# Service Manual

## TECHNICAL INFORMATION

Input consumption	: approx. 2300 W / 230 V / 50 Hz
Lamp couch	: 10x TL Cleo Performance 100W-S
Lamp canopy	: 10x TL Cleo Performance 100W-S
Starter	: 20x S12
Ballast	: 20x 100 W / 230 V
Timer	: 1x 30 mins – motor-driven
Radiation area	: 174 x 58 cm
Protecting goggles	: HB071 – 4822 690 80123
Output UVX36 meter	: > 5.6 mW/cm <sup>2</sup> (couch)
	: > 4.6 mW/cm <sup>2</sup> at 20 cm (canopy)



# HB557/A

## HINTS FOR REPAIRS

- Interchange starters, lamps or ballasts to establish whether they are defective.
- If they are not defective, check the internal wiring, especially that connected to the lamp holders.
- The snap-on connections of the wiring can be detached by means of a paperclip.
- Premature blackening of a tube end points to a defective starter or a wiring fault.
- A burned NTC resistor or overheated wiring points to a wiring fault at the connecting block.
- The acrylic sheets can be cleaned with a moist cloth and some washing-up liquid.  
Avoid the use of alcohol, alcohol-based cleaners, petrol, acetone or abrasives.  
These substances can cause irreparable damage to the sheets.

## CANOPY

### Replacement of lamps/starters (items 2 and 7)

Loosen the screws (item 25) and remove the end covers (item 12).

Pull the acrylic sheet (item 43) out of the appliance.

Now the lamps/starters can be replaced.

### Disassembly of gas spring (item 26)

Fold the canopy up and have a second person lock it in this position.

Undo two nuts on either side and take the gas spring out of the hinged parts.

### Disassembly of fan (item 20)

Unlock the clamps of the fan cover (item 21).

Loosen the connecting wires and pull out the fan unit (item 20).

### Disassembly of timer (item 32)

Remove the end cover on the side where the timer is located.

Pull the top cover on this side out of the groove of the side panel (item 33).

Pull the side panel off the metal frame to create enough room to remove the timer.

### Disassembly of hinge (items 27, 28 and 29)

Unlock the clamps of the hinge cover with a screwdriver.

Loosen the screw (B).

Ask a second person to depress the locks of the bearing bush (item 29) with two small screwdrivers.

Position yourself on the other side of the appliance and press the couch with your foot while pulling the canopy slightly (approx. 5 mm) towards you to deactivate the lock.

Repeat this procedure at the other hinge.

Now you and the other person should position yourselves at opposite ends of the appliance. Lift the canopy from the stand by pulling at it.

Place the canopy on a soft surface.

Remove the lock spring (item 28)

Tap the bearing bush off the shaft with a plastic hammer.

## COUCH

### Replacement of lamps and starters (items 2 and 7)

Loosen the screws and remove the end covers (item 12).

Pull the acrylic sheet (item 1) out of the appliance.

Now the lamps/starters can be replaced.

Disassembly of fan (item 20)

### Remove the side panels of the decorative cover (item 13).

Put the canopy in its highest position.

Turn the appliance on its back with help of a second person.

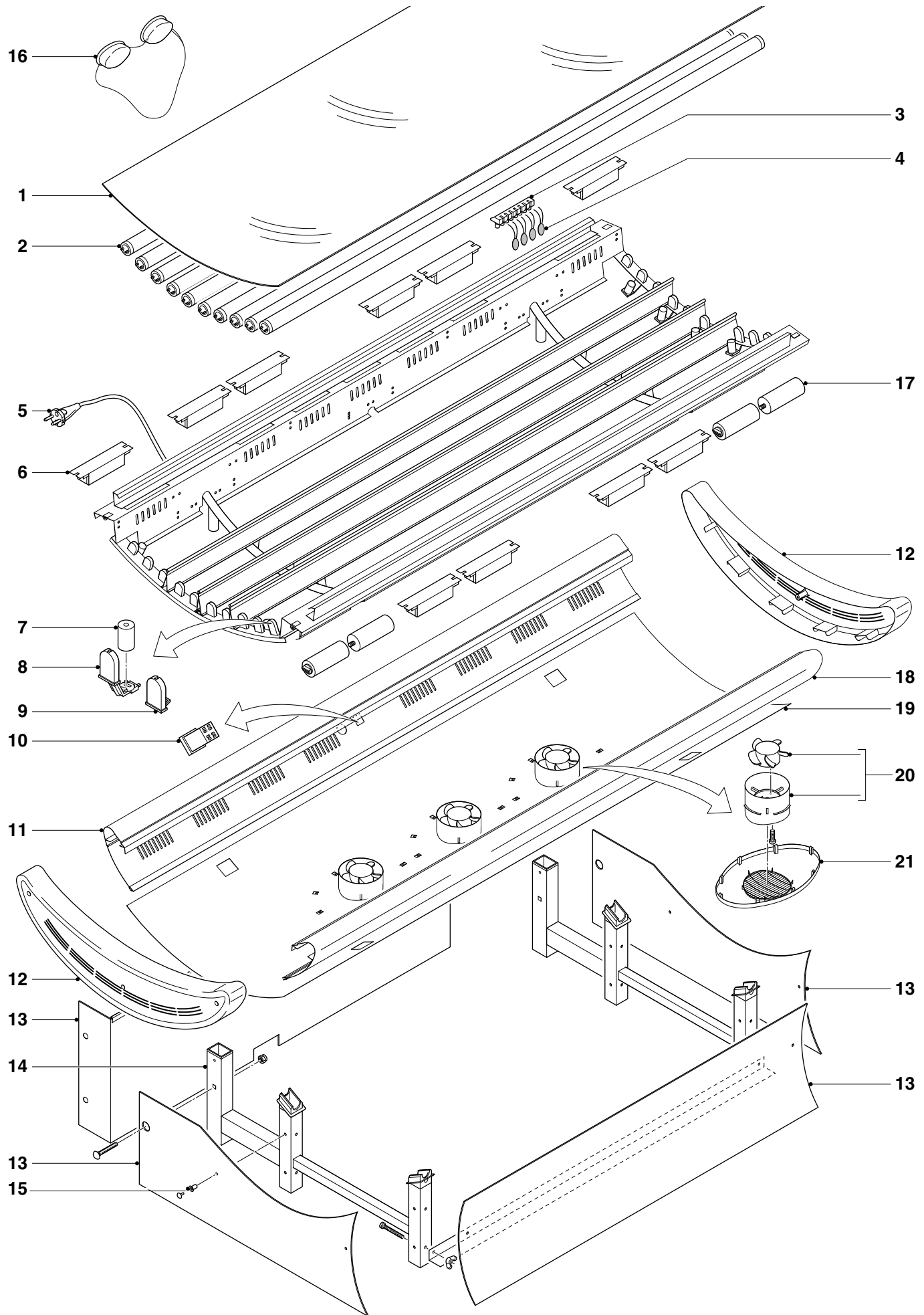
Unlock the clamps of the fan cover (item 21).

Loosen the connecting wires and pull out the fan unit (item 20).

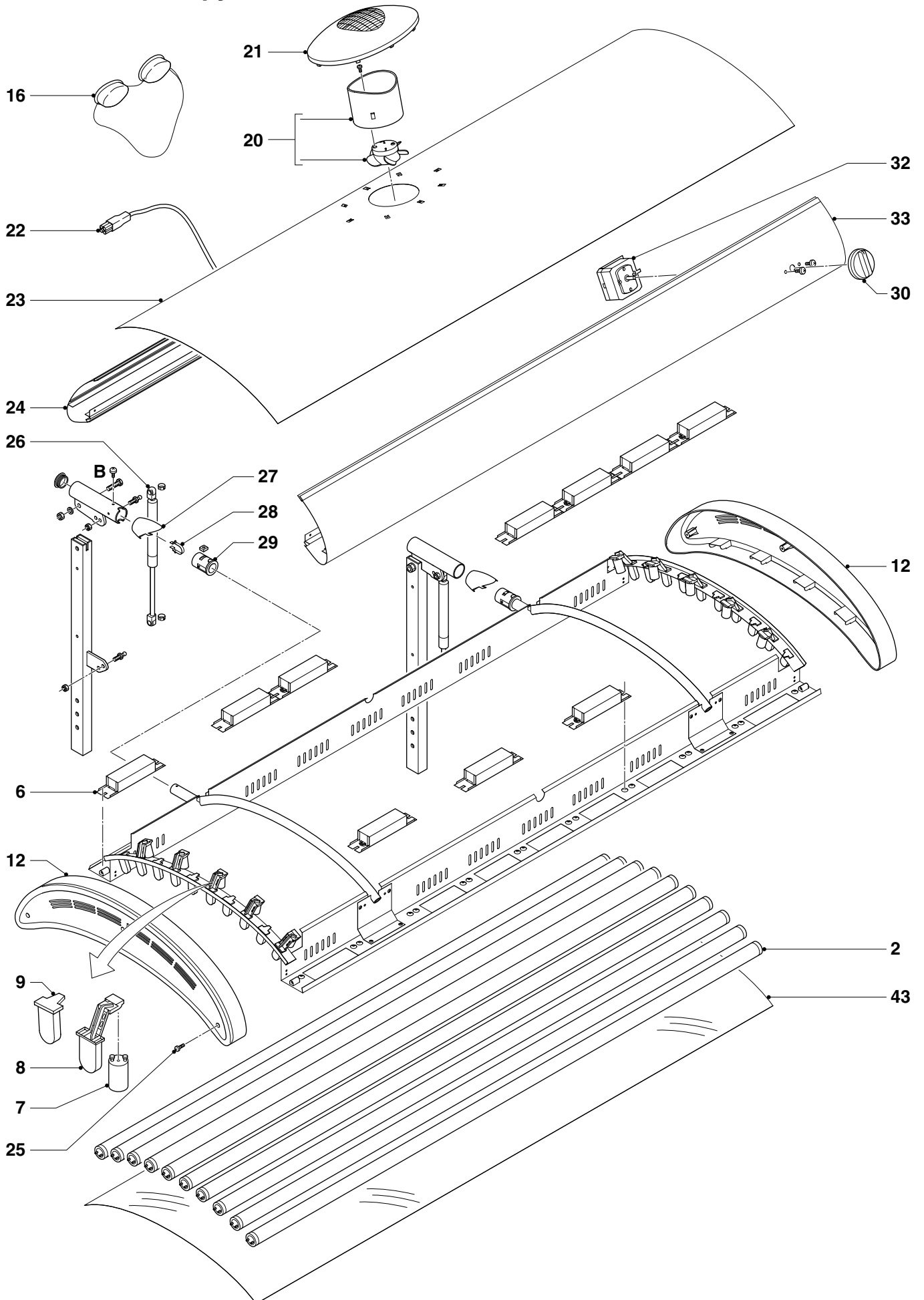
# HB557/A

Pos	Service code	Description	Pos	Service code	Description
1	9965 000 12136	acrylic sheet couch	21	9965 000 11521	fan cover
2	9280 043 21920	TL Cleo Performance 100 W-S	22	4822 320 11885	connecting cable
3	4222 062 94570	connector	23	9965 000 11524	top cover canopy
4	4222 062 94580	NTC resistor 22 $\Omega$	24	9965 000 12132	rear panel canopy
5	4822 321 11395	mains flex	25	4822 502 14539	s.t. screw 4.8 x 19
6	4822 146 10344	ballast 100 W	26	4822 529 10383	gas spring
7	4822 219 80258	starter S12	27	9965 000 11528	hinge cap
8	9965 000 01933	lamp/starter holder	28	9965 000 11525	securing spring
9	9965 000 01934	lamp holder	29	9965 000 11526	bearing bush
10	4822 265 10935	4-p socket	30	4822 410 11079	timer knob
11	9965 000 12134	rear panel couch	32	9965 000 11519	timer 30 mins
12	9965 000 11523	end cover	33	9965 000 11517	front panel canopy
13	9965 000 12138	set of decorative covers	43	9965 000 11522	acrylic sheet canopy
14	9965 000 12137	leg couch			
15	9965 000 02712	push rivet 6 x 9.5		9965 000 12131	mounting set
16	4822 690 80123	HB 071 protecting goggles			
17	4222 062 94600	capacitor 50 $\mu$ F/250 V			
18	9965 000 12133	front panel couch			
19	9965 000 12135	bottom cover couch			
20	9965 000 11520	fan complete			

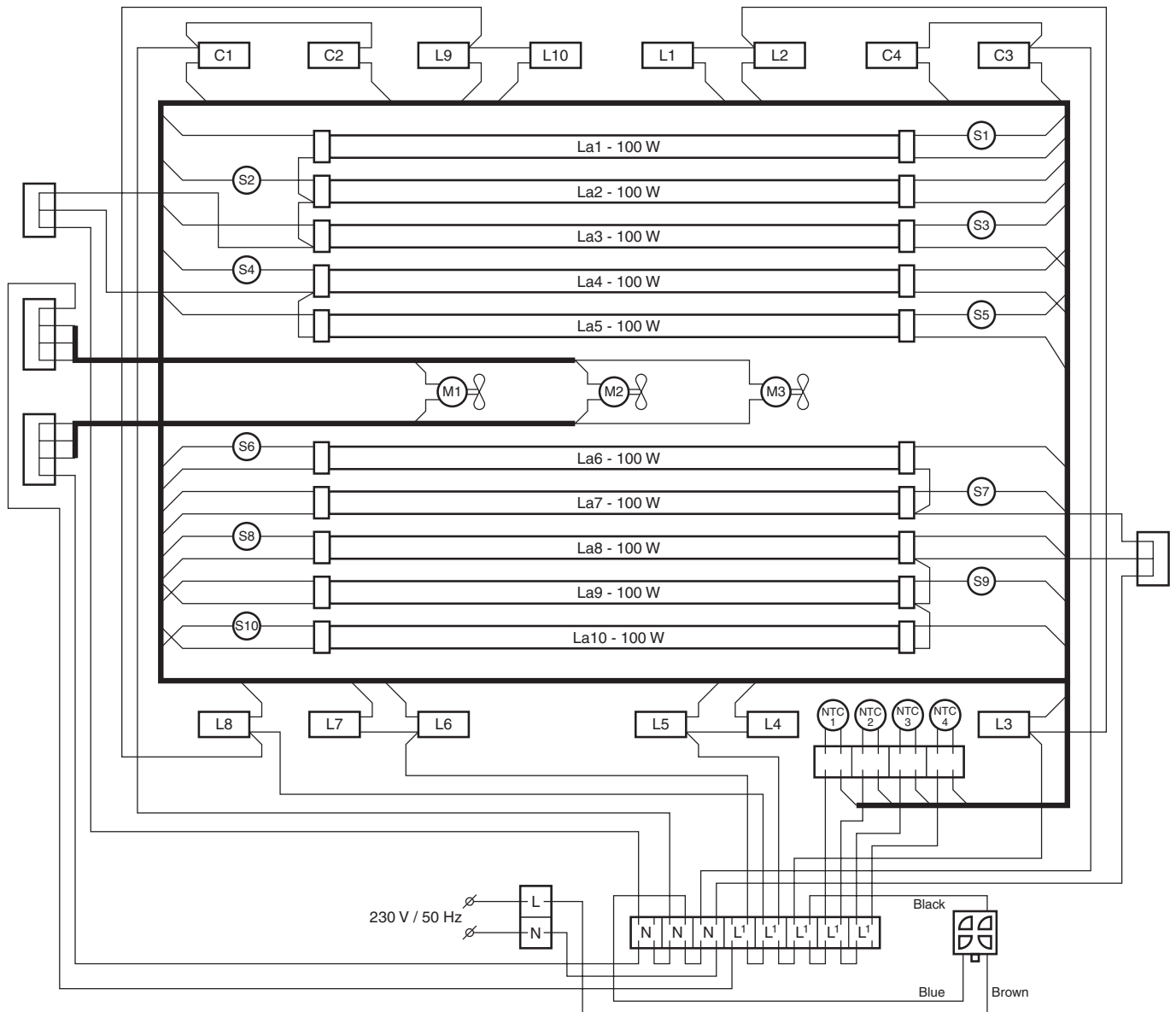
# HB557/A couch



# HB557/A canopy



# HB557/A couch



# HB557/A canopy

