



PRINTER OPTIONS

SO-6

PARTS CATALOGUE

SO-6 Parts Catalogue

Table of Contents

Overall (Fig.1).....	3
Rear Cover Assembly (Fig.2).....	6
Entrance Guide Assembly (Fig.3).....	8
Upper Path Assembly (Fig.4).....	10
Sorter assembly (Fig.5).....	12
Sorting Path Assembly (Fig.6).....	14

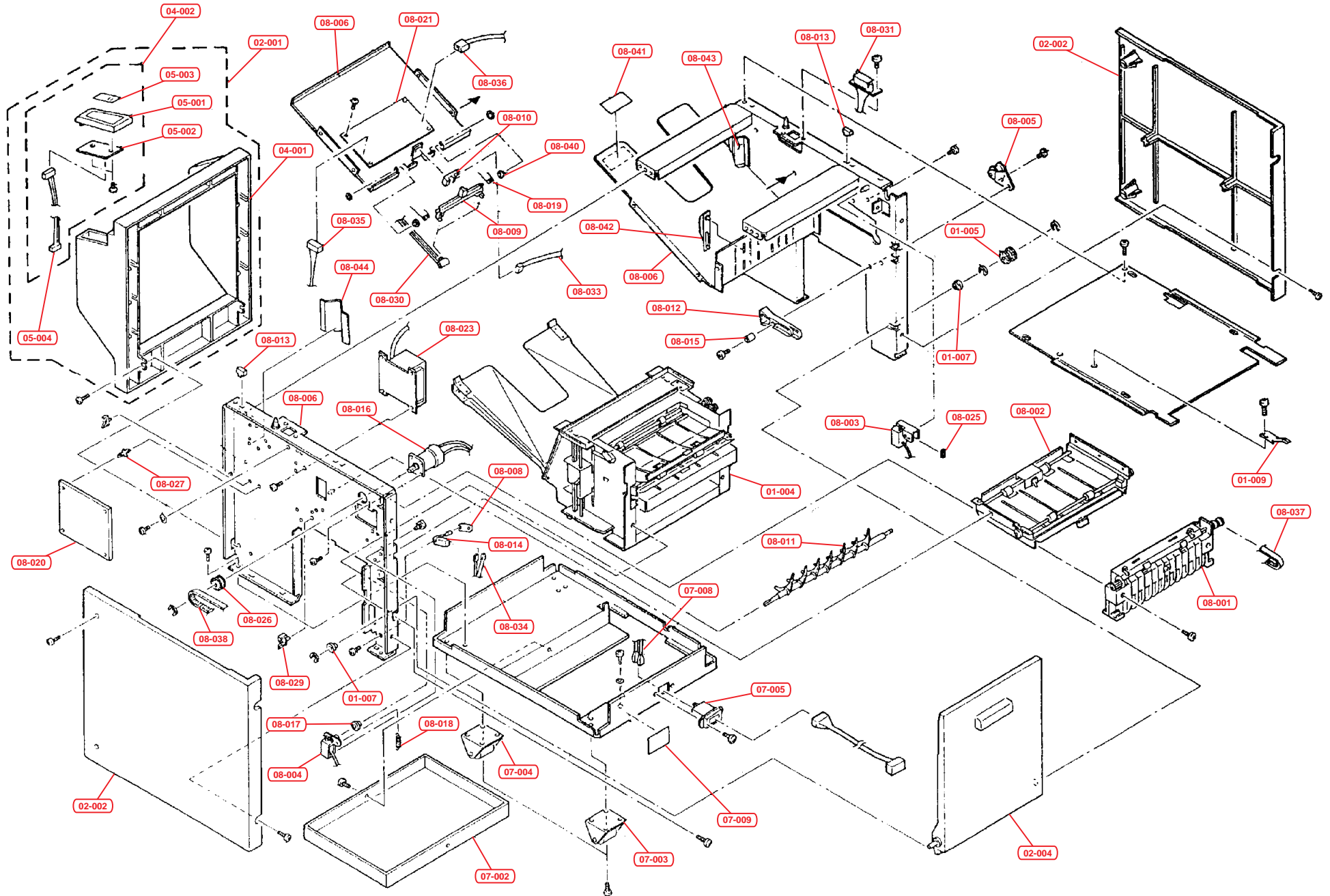
Introduction

The figures which follow depict the major assemblies of the printer or option, broken down into components. Following each figure are the list giving the following information:

- 'Ref No.' Reference number which corresponds to the parts in the figure
- 'Part code'..... Part code which identifies the part
- 'Part description' A brief description of the part
- 'Quantity'..... Quantity of the part used in the printer or option

Only the parts highlighted in BOLD should be ordered. All other parts are for reference only and are not stocked.

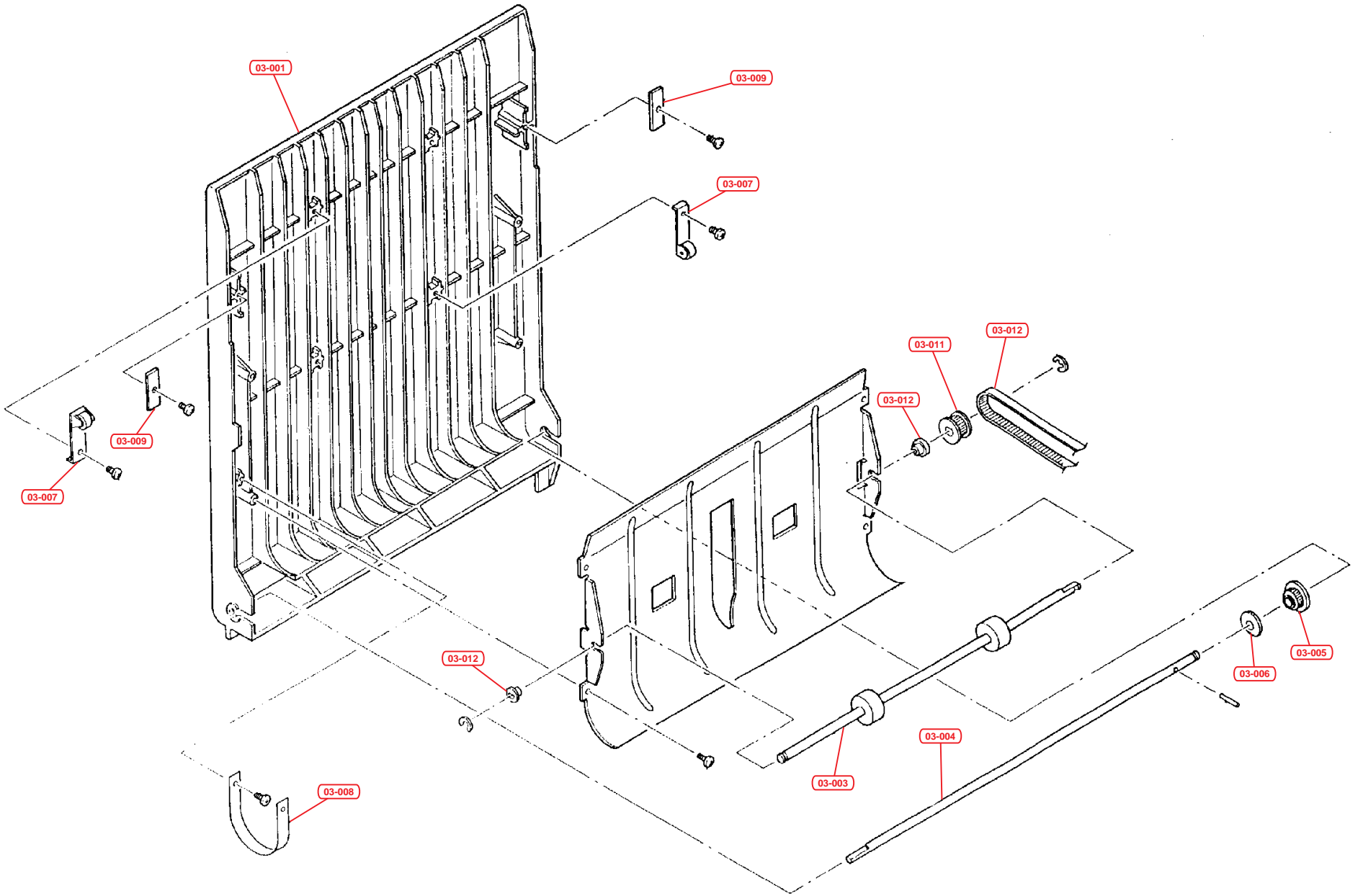
Fig. 1 - Overall



Ref No.	Part Code	Description	Quantity
01-001	5SNSP0009118	COVER ASSY	1
01-002	5SNSP0009521	CABINET ASSY	1
01-004	5SNSP0009121	SORTER ASSY	1
01-005	5SNSP0009099	PULLEY FEED T26 CVER	1
01-006	5SNSP0009100	BELT DRIVE T400 CVER	1
01-007	5SNSP0009101	BUSHING REAR COVER	2
01-009	5SNSP0009222	PLATE EARTH	1
02-001	5SNSP0009122	COVER FRONT ASSY	1
02-002	5SNSP0009109	COVER L/R	2
02-003	5SNSP0009110	PLATE TOP	1
02-004	5SNSP0009115	COVER REAR ASSY	1
04-001	5SNSP0009048	COVER FRONT	1
04-002	5SNSP0009111	COVER PANEL ASSY	1
05-001	5SNSP0009112	COVER PANEL	1
05-002	5SNSP0009113	PWB PANEL	1
05-003	5SNSP0009114	SHEET PANEL	1
05-004	5SNSP0009172	CONN.CORDS 00756 PWB	1
06-001	5SNSP0009522	FRAME ASSY	1
06-003	5SNSP0009523	BASE ASSY	1
07-001	5SNP0009092	BASE	1
07-002	5SNSP0009093	COVER BASK	1
07-003	5SNSP0009094	CASTER A	2
07-004	5SNSP0009081	CASTER B	2
07-005	5SNSP0009555	INLET 100V	1
07-007	5SNSP0009084	CABLE EARTH A	1
07-008	5SNSP0009184	CONN.CORD S00754	1
07-009	5MVVSSO6J**1	SER. NO. PLATE(U)	1
08-001	5SNSP0009085	GUIDE ENTER ASSY	1
08-002	5SNSP0009086	UPPER PASS ASSY	1
08-003	5SNSP0009087	SOLENOID ASSY A	1
08-004	5SNSP0009074	SOLENOID ASSY B	1
08-005	5SNSP0009194	PLATE TENSION ASSY	1
08-006	5SNSP0009075	FRAME MAIN ASSY	1
08-007	5SNSP0009076	PLATE PWB	1
08-008	5SNSP0009077	PLATE NUT	1
08-009	5SNSP0009078	ACTUATOR 1	1
08-010	5SNSP0009079	SENSOR	1
08-011	5SNSP0009067	GUIDE FLAP	1
08-012	5SNSP0009068	LEVER SAFETY	1
08-013	5SNSP0009069	HOLDER	6
08-014	5SNSP0009070	MICRO SW	1
08-015	5SNSP0009071	SPACER	1
08-016	5SNSP0009072	MOTOR FEED ASSY	1
08-017	5SNSP0009060	BUSHING FLAP	2
08-018	5SNSP0009061	SPRING SOL B	1

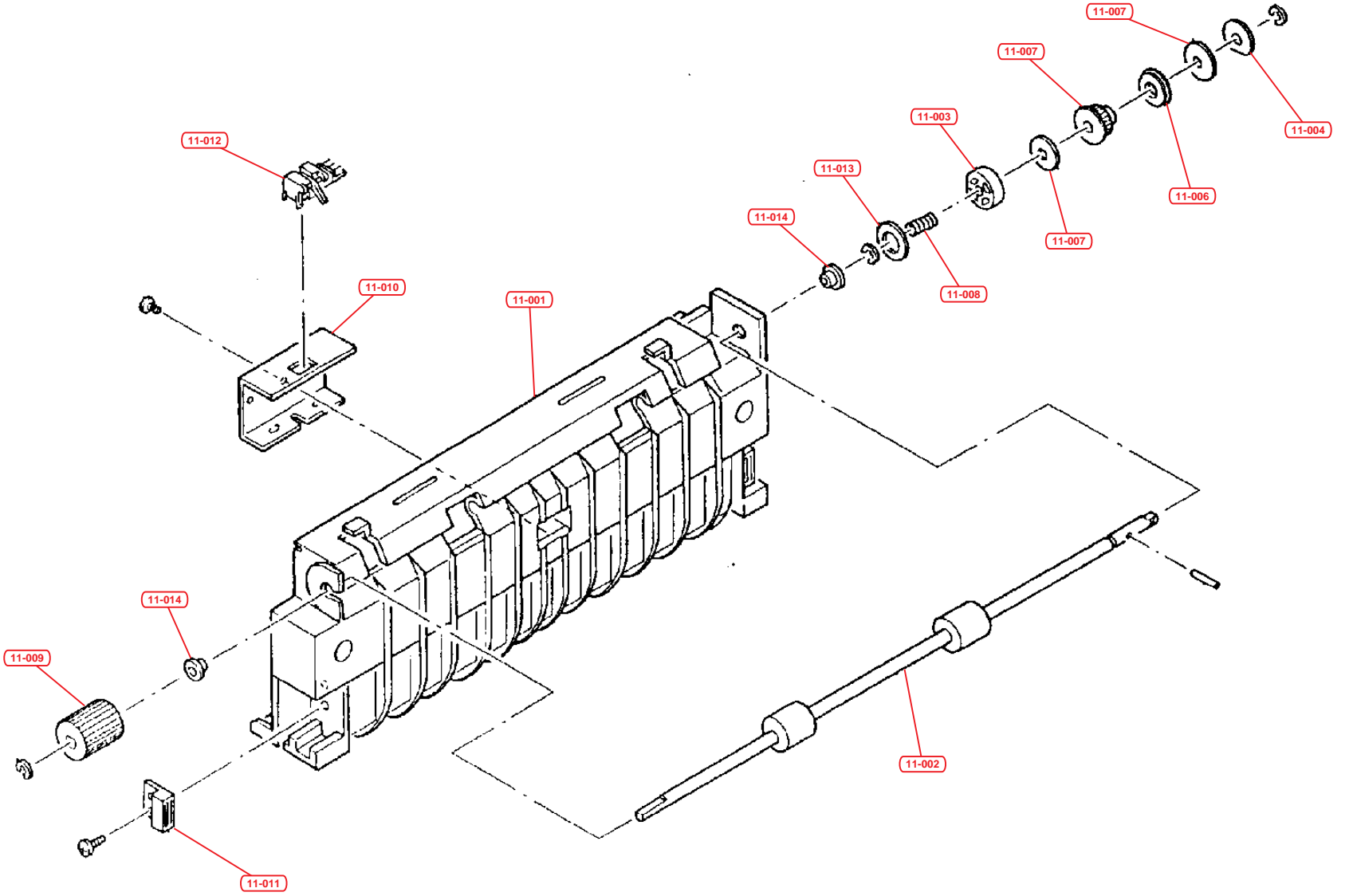
Ref No.	Part Code	Description	Quantity
08-019	5SNSP0009062	SPRING ACTUATOR	2
08-020	5SNSP0009063	PWB CONTROLLER	1
08-021	5SNSP0009065	PWB DRIVER	1
08-023	5SNSP0009518	TRANS ASSY 100V	1
08-025	5SNSP0009047	SPRING SOL A	1
08-026	5SNSP0009055	PULLEY FEED T26 MOT.	1
08-027	5SNSP0009056	LOCKING CARD SPACER	4
08-029	5SNSP0009058	WIRE SADDLE B. WS-3NS	2
08-030	5SNSP0009079	ACTUATOR 2 ASSY	2
08-031	5SNSP0009182	CONN. CORD S00752	1
08-032	5SNSP0009183	CONN. CORD S00753	1
08-033	5SNSP0009185	CONN. CORD S00755	1
08-034	5SNSP0009173	CONN. CORD S00757	1
08-035	5SNSP0009174	CONN. CORD S00758	1
08-036	5SNSP0009175	CONN. CORD S00759	1
08-037	5SNSP0009059	BELT DRIVE T 400	1
08-038	5SNSP0009046	BELT DRIVE T 67	1
08-039	5SNSP0009047	SPRING SOL A	1
08-040	5SNSP0009097	BUSHING FLANGE	2
08-041	5MVVL761WN31	LABEL CAUTION TRAY	1
08-042	5SNSP0009619	SUPPORT PAPER	2
08-043	5SNSP0009621	GUIDE PAPER L	1
08-044	5SNSP0009620	GUIDE PAPER R	1
09-001	5SNSP0009195	SOLENOID A KEEP	1
09-002	5SNSP0009196	CHANGE PASS LEVER	1
10-001	5SNSP0009049	SOLENOID B. LATCH	1
10-002	5SNSP0009050	ARM PATH CHANGE	1

Fig.2 - Rear Cover Assembly



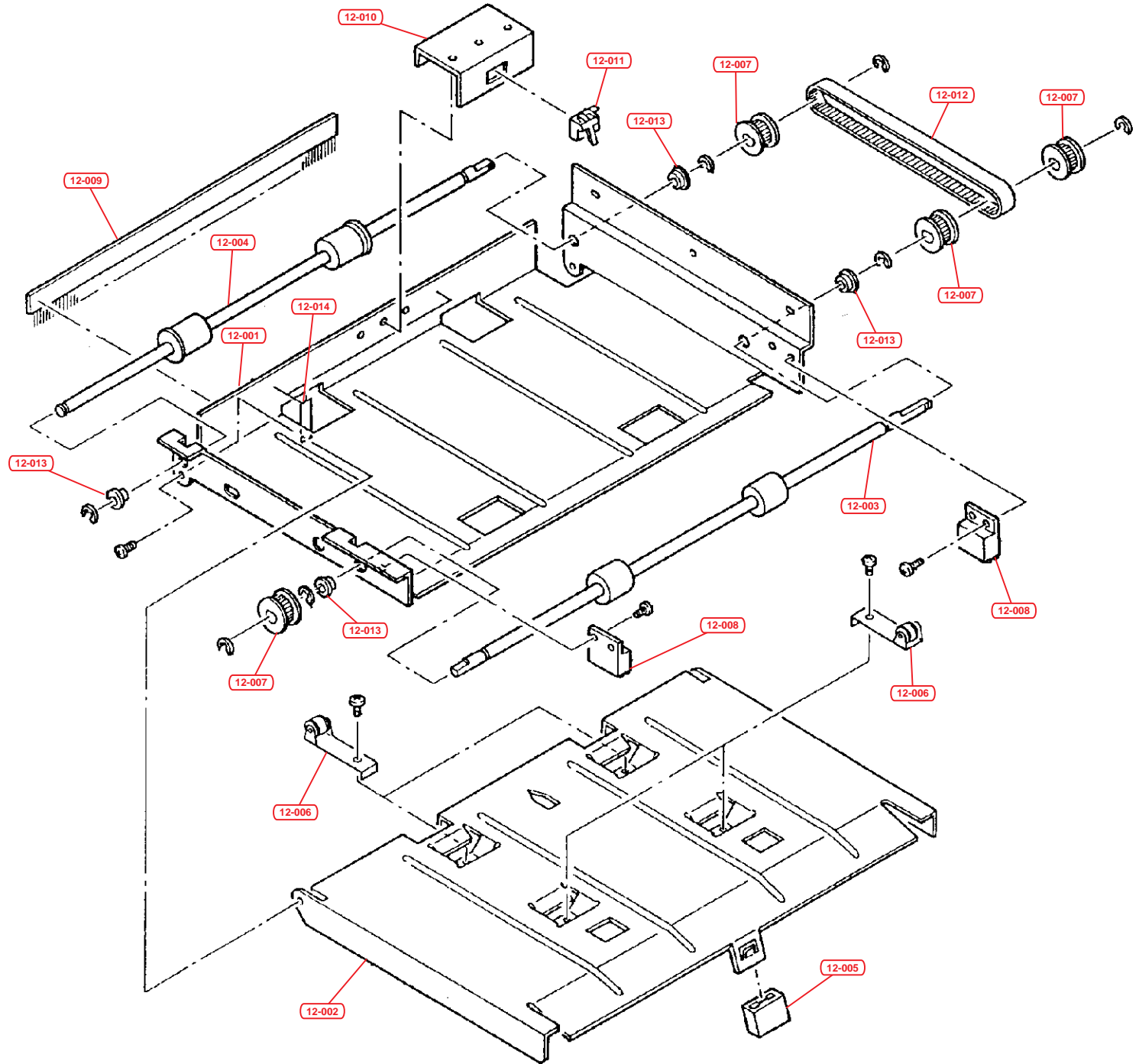
Ref No.	Part Code	Description	Quantity
03-001	5SNSP0009102	COVER REAR	1
03-002	5SNSP0009103	GUIDE PAPER REAR	1
03-003	5SNSP0009104	ROLL FEED REAR	1
03-004	5SNSP0009105	SHAFT DRIVE REAR	1
03-005	5SNSP0009106	PULLEY CLUTCH T26	1
03-006	5SNSP0009107	FLANGE PULLEY A	1
03-007	5SNSP0009625	PINCH ROLLER ASSY 2	4
03-008	5SNSP0009095	STAY COVER REAR	1
03-009	5SNSP0009096	PLATE MAGNET	2
03-010	5SNSP0009097	BUSHING FLANGE	2
03-011	5SNSP0009099	PULLEY FEED T26	1
03-012	5SNSP0009098	BELT FEED T140	1

Fig. 3 - Entrance Guide Assembly



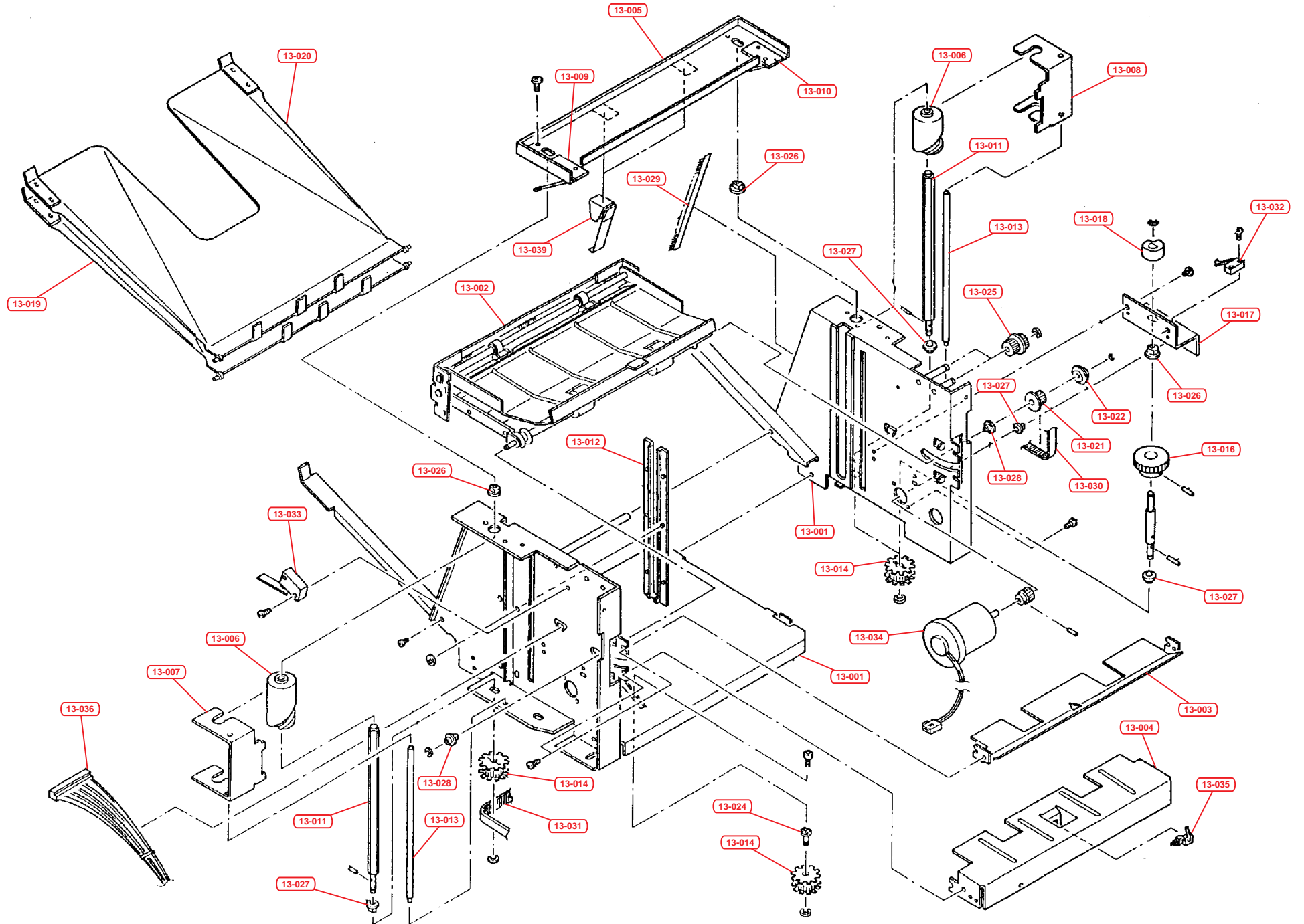
Ref No.	Part Code	Description	Quantity
11-001	5SNSP0009051	GUIDE ENTER	1
11-002	5SNSP0009052	ROLL REAR ENT	1
11-003	5SNSP0009039	DISC DRIVE A	1
11-004	5SNSP0009040	DISC DRIVE B	1
11-005	5SNSP0009106	PULLEY CLUTCH T26	1
11-006	5SNSP0009107	FLANGE PULLEY A	1
11-007	5SNSP0009041	DISC CLUTCH	2
11-008	5SNSP0009042	SPRING PLUNGER	1
11-009	5SNSP0009043	GEAR Z20	1
11-010	5SNSP0009044	BKT PASS SENSOR	1
11-011	5SNSP0009073	MAGNET CATCH	2
11-012	5SNSP0009045	SENSOR FEED	1
11-013	5SNSP0009032	SPACER CLUTCH	1
11-014	5SNSP0009097	BUSHING FLANGE	2
11-015	5SNSP0009177	CONN. CORD S00761	1

Fig.4 - Upper Path Assembly



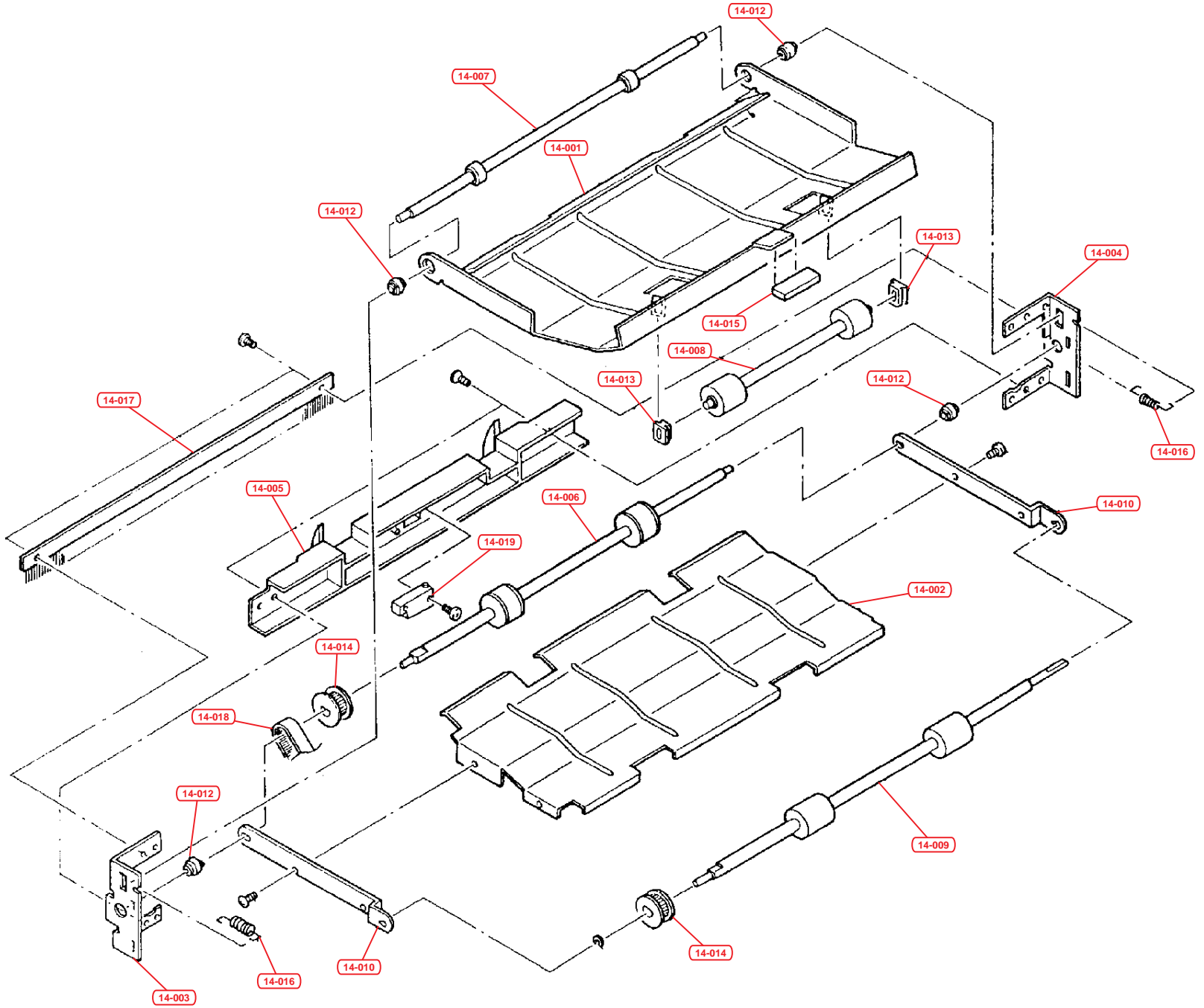
Ref No.	Part Code	Description	Quantity
12-001	5SNSP0009033	GUIDE PATH UPPER	1
12-002	5SNSP0009034	GUIDE PATH LOWER	1
12-003	5SNSP0009035	ROLL PASS UP ENT	1
12-004	5SNSP0009036	ROLL PASS UP EXIT	1
12-005	5SNSP0009037	KNOB	1
12-006	5SNSP0009108	PINCH ROLLER ASSY	4
12-007	5SNSP0009055	PULLEY FEED T26	4
12-008	5SNSP0009073	MAGNET CATCH	2
12-009	5SNSP0009038	BRUSH DISCHARGE STK	1
12-010	5SNSP0009044	BKT PASS SENSOR	1
12-011	5SNSP0009045	SENSOR FEED	1
12-012	5SNSP0009098	BELT FEED T140	1
12-013	5SNSP0009097	BUSHING FLANGE	4
12-014	5SNSP0009622	SHEET EXIT UP	2

Fig. 5 - Sorter assembly



Ref No.	Part Code	Description	Quantity
13-001	5SNSP0009123	STR FRAME ASSY	1
13-002	5SNSP0009124	SORTING PASS ASSY	1
13-003	5SNSP0009125	GUIDE STR ENT UP	1
13-004	5SNSP0009126	GUIDE STR ENT LO	1
13-005	5SNSP0009127	TIE PLATE	1
13-006	5SNSP0009128	SCREW	2
13-007	5SNSP0009129	GUIDE SCREW R	1
13-008	5SNSP0009130	GUIDE SCREW L	1
13-009	5SNSP0009132	PLATE SPRING R	1
13-010	5SNSP0009131	PLATE SPRING L	1
13-011	5SNSP0009133	SPLINE	2
13-012	5SNSP0009134	SLOT LINER	2
13-013	5SNSP0009135	SHAFT SLIDE	2
13-014	5SNSP0009136	PULLEY BIN DRIVE T20	4
13-016	5SNSP0009138	WORM WHEEL	1
13-017	5SNSP0009139	BKT SENSOR CAM	1
13-018	5SNSP0009140	SENSOR CAM	1
13-019	5SNSP0009141	TRAY A	6
13-020	5SNSP0009142	TRAY B	7
13-021	5SNSP0009143	PULLEY SLIP T28	1
13-022	5SNSP0009144	FLANGE PULLEY B	1
13-024	5SNSP0009146	SHAFT TENSION	1
13-025	5SNSP0009147	GEAR IDLE Z28-T32	2
13-026	5SNSP0009148	BUSHING B	3
13-027	5SNSP0009149	BUSHING A	4
13-028	5SNSP0009150	BUSHING DRIVE	2
13-029	5SNSP0009151	BRUSH DISCHARGE TRY	1
13-030	5SNSP0009152	BELT FLAT	1
13-031	5SNSP0009153	BELT BIN DRIVE T400	1
13-032	5SNSP0009154	SW CAM SENS	1
13-033	5SNSP0009155	SW LIMIT TOP	1
13-034	5SNSP0009156	BIN MOTOR ASSY	1
13-035	5SNSP0009045	SENSOR FEED	1
13-036	5SNSP0009176	CONN. CORD S00760	1
13-037	5SNSP0009223	TRAY TOP	1
13-038	5SNSP0009224	TRAY BOTTOM	1
13-039	5SNSP0009623	BIN PRESS ASSY	2

Fig.6 - Sorting Path Assembly



Ref No.	Part Code	Description	Quantity
14-001	5SNSP0009159	UPPER GUIDE STR	1
14-002	5SNSP0009158	LOWER GUIDE STR	1
14-003	5SNSP0009160	00000BKT SCREW GUIDE L	1
14-004	5SNSP0009161	BKT SCREW GUIDE R	1
14-005	5SNSP0009162	FRAME STR EXIT	1
14-006	5SNSP0009163	ROLL STR EXIT DRIVE	1
14-007	5SNSP0009164	ROLL STR EXIT	1
14-008	5SNSP0009165	ROLL STR ENT DRIVE	1
14-009	5SNSP0009166	ROLL STR ENT	1
14-010	5SNSP0009167	ARM L	1
14-011	5SNSP0009168	ARM R	1
14-012	5SNSP0009169	BUSHING ROLL DRIVE	4
14-013	5SNSP0009170	BUSHING ROLL	2
14-014	5SNSP0009171	PULLEY STR T28	2
14-015	5SNSP0009037	KNOB	1
14-016	5SNSP0009179	SPRING EJECT	1
14-017	5SNSP0009180	BRUSH DISCHARGE STR	1
14-018	5SNSP0009098	BELT FEED T140	1
14-019	5SNSP0009181	SENSOR EMPTY	1