

Service
Service
Service



Philips Domestic Appliances and Personal Care

Service Manual

PRODUCT INFORMATION

Motor	: Synchronous
Power	: 25 W
Cone speed	: 59 r.p.m.
Cord Length	: 1.2 m
Continuous running time	: 6 min.
Bowl capacity	: 1500 ml

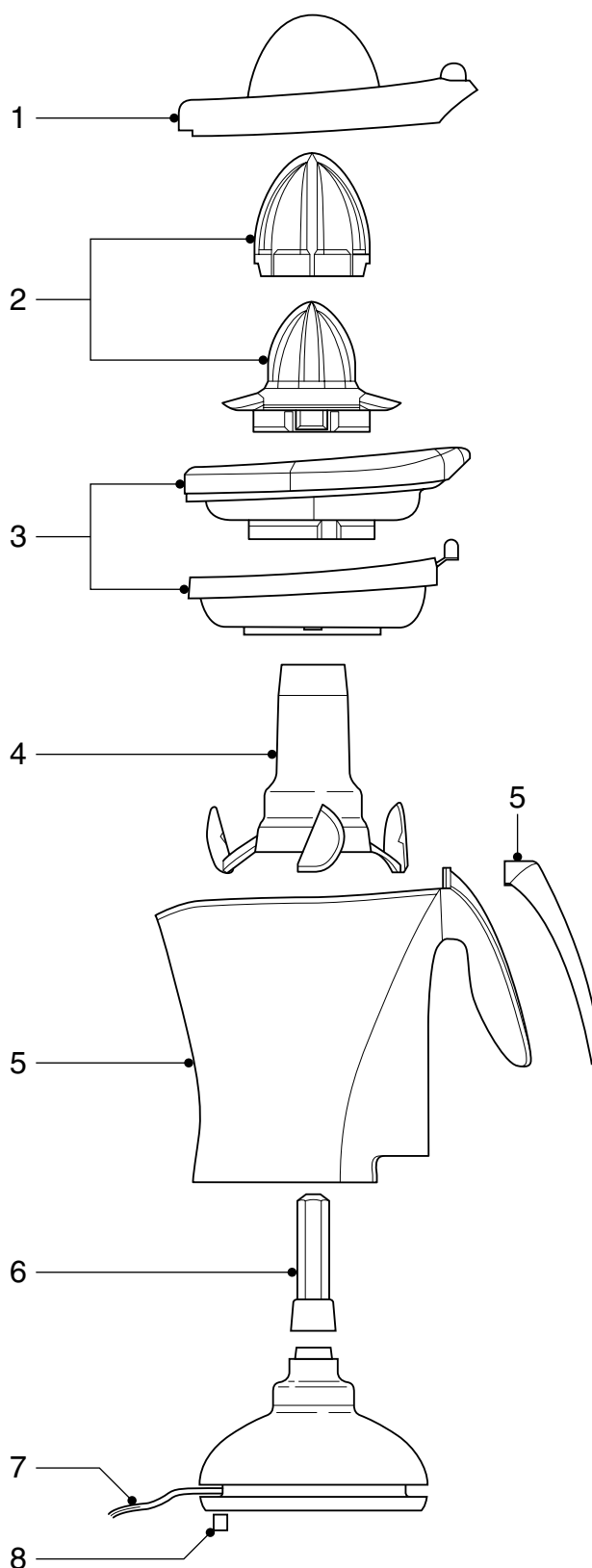
SERVICE INFORMATION

- Drive shaft (item 6) can be pulled off.
- Components configuration on exploded view may differ from specific versions. However, the actual components are discernable by code number.

Product meets the requirements regarding interference suppression on radio and TV.

After the product has been repaired, it should function properly and has to meet the safety requirements as laid down officially established at this moment.

RI 2748



1	Dust cover	4206 133 93070
2	Cone/Inner Cone	4206 136 52020
3	Pulp Selector/Sieve	4206 136 52010
4	Stirrer	4206 133 93510
5	Jug/Handle Inlay	4206 136 51460
6	Spindle	4206 133 88120
7	Mains cord standard	4203 065 62490
8	Foot standard	4822 462 40374