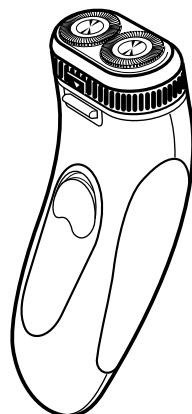


Service Service Service

HQ 488/A NiMH
HQ 488/B NiCd



Domestic Appliances and Personal Care

Service Manual

GENERAL

The HQ488 shaver can be recharged in 1 hour by means of a 'Fly Back Self Oscillating Power supply'.

This electronic circuit enables the cell to be charged at 100-240 V, 50/60 Hz.

It is possible to have a shave directly from the mains.

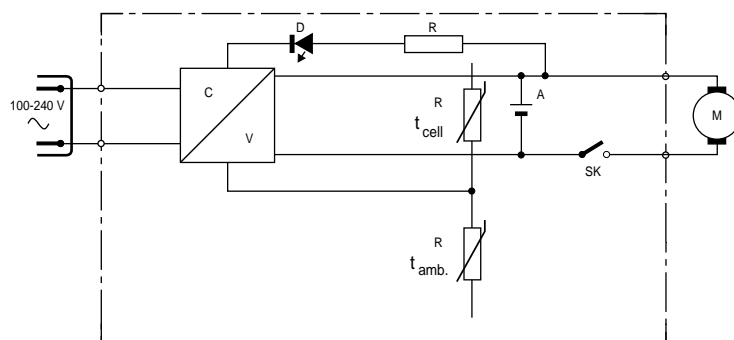
The green LED only illuminates when the shaver is connected to the mains.

The electronic circuit incorporates the following functions and controls:

- a 1200 mA Quick Charge supply.
- a 35 mA Trickle Charge supply.
- a 1.25 V / 2.1 A Dynamic supply when shaving from the mains.
- an open cell protection ($V_{bat} > 1.8V$).
- a temperature protection of the cell. (if $T_{cell} - T_{amb} > 7C$, charging will switch-over from Quick Charge to Trickle Charge).

HINTS FOR REPAIRS

- Remove the shaving unit, to prevent damages during repairs.
- While assembling the shaver the sides panels (item 17) have to be removed. The side panels must be snapped into the body last.



TECHNICAL DATA

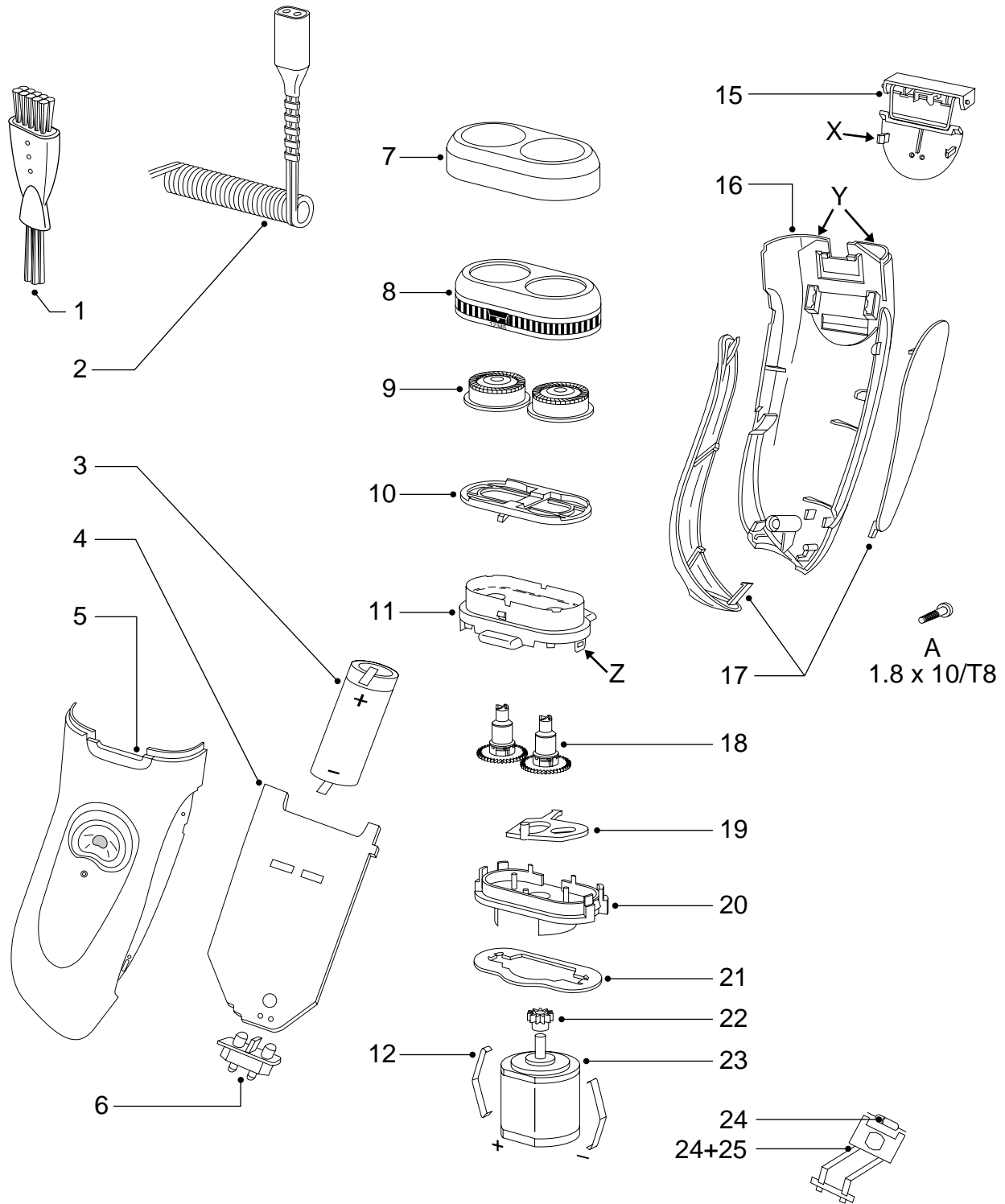
Input voltage	: 100 - 240 V, 50/60 Hz
Motor voltage	: 1.2 V $\overline{\square}$
Cell	: 1x AA NiMH or NiCd
Cell capacity	: approx. 1000 mAh
Charging system	: SOPS
Charge indicator	: 1x green LED
Charging time	: approx 1H
Charging current	: 1200 mA Quick Charge 35 mA Trickle Charge
Shaving heads	: HQ4 - 4822 690 30468
Comfort control	: 5 settings
Screwdriver	: 4822 395 50263

MSH CODING

8851 488 00000 HQ 488



HQ 488/A NiMH
HQ 488/B NiCd



1 4822 479 20198 cleaning brush
 2 4822 321 10095 flex EU
 4822 321 10096 flex GB
 4822 321 10148 flex AUS/NZ
 4822 321 10344 flex USA/CDN

3 4822 138 10584 NiMH cell AA
 4822 138 10633 NiCd cell AA
 4 4822 214 12213 power supply NiMH
 4822 214 12214 power supply NiCd
 5 4822 441 12231 housing PH

6 4822 268 10348 inlet
 7 4822 462 10905 protecting cap
 8 4822 441 11957 adj. head housing
 9 4822 690 30468 HQ4 shaving head
 10 4822 256 10352 head holder

11 4822 442 00855 cover/hairseal
 12 4822 492 63165 motor clamp
 15 4822 690 10112 trimmer
 16 4822 442 01515 cover
 17 4822 441 12229 side panels

18 4822 522 33551 gearwheel
 19 4822 404 40647 lever
 20 4822 441 11526 frame
 21 4822 466 11391 sealing plate
 22 4822 522 33547 pinion

23 4822 361 21752 motor 1.2V
 24 4822 130 32173 OF217 diode
 25 4822 265 10924 connector

A 4822 502 30526 s.t. screw 1.8x10/T8