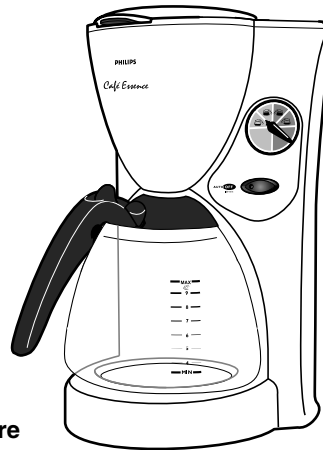


Service
Service
Service



Philips Domestic Appliances and Personal Care

Service Manual 4322 277 00046 is herewith cancelled

Service Manual

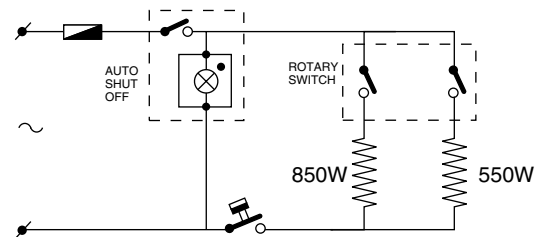
PRODUCT INFORMATION

Voltage : 100, 120, 230V
 Frequency : 50 - 60Hz
 Power consumption : 850 + 550W
 Contents jug : 1200cc
 Coloursetting : ceramic white

MSH coding
8827 605 0000

SERVICE INFORMATION

Thermostat switch-off temp : 140°C
 Thermal fuse cut-off temp : 298°C



REPAIR INSTRUCTIONS

1. Electrical circuit

When the appliance does not work, check the electrical circuit. If the thermal fuse or thermostat prove defective, the complete pump unit has to be replaced.

2. De-scaling

If the water system is nearly or less clogged by scale then operate the coffeemaker a few times with vinegar or with a 10-15% solution of either vinegar-acid, citric acid or tartar-acid, into cold tap water.

Do not use other de-scaling agents as these may harm the appliance.

If this procedure does not restore the function, then switch off the coffeemaker when the acid has passed through during appr. 3 min. Keep the appliance in this condition overnight and continue/repeat the cleaning operation. After the de-scaling procedure, operate the coffeemaker twice with tap water in order to rinse away any residual substances.

3. Pump unit removal

To separate the pump unit from the hotplate unit (item 23), the two plastic snaps at place A have to be loosened. Then the pump unit can be lifted out easily.

4. Exchanging the switch unit

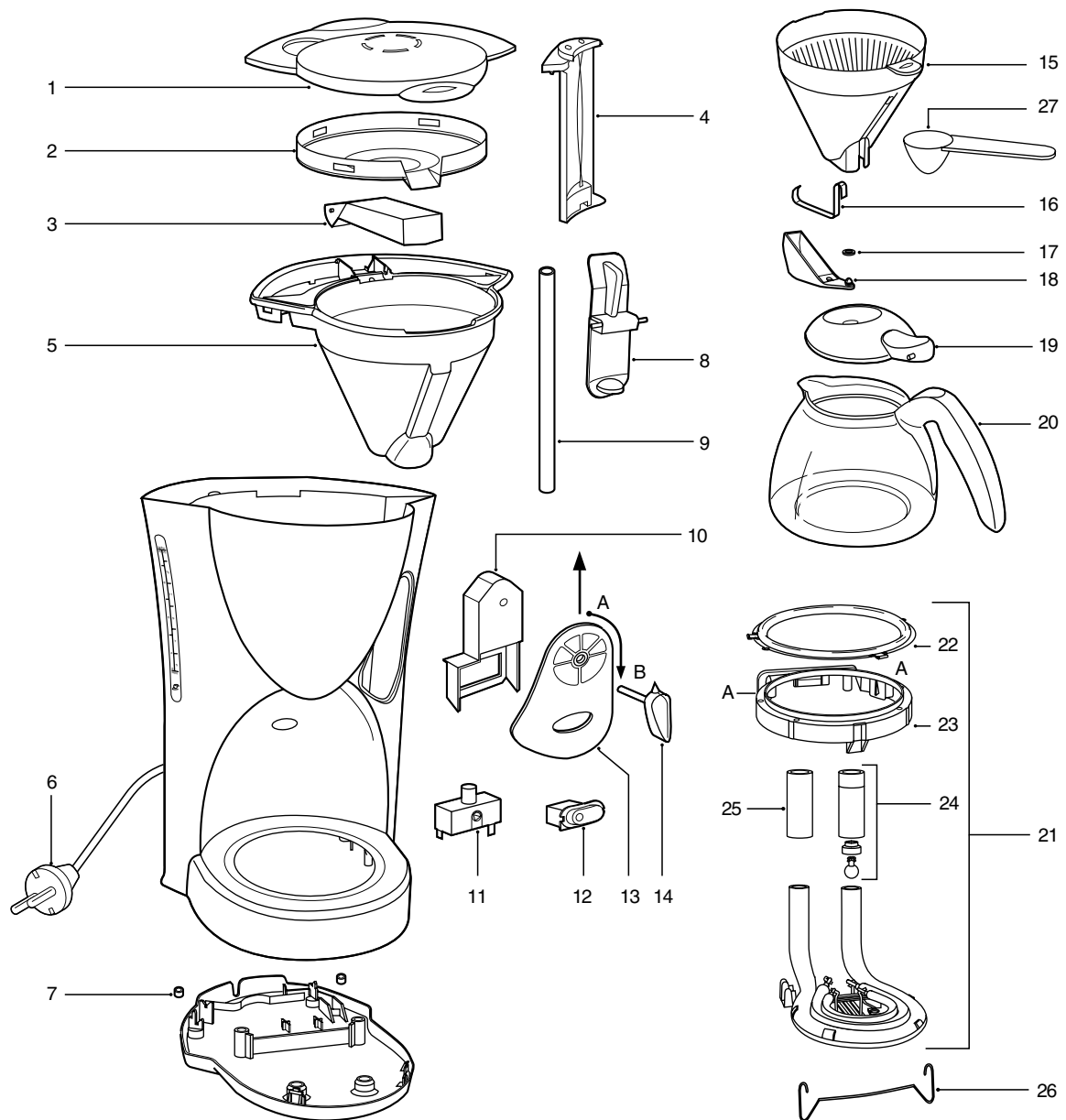
Remove the panel (13) by carefully pushing a small screwdriver into the chink at point A and moving it towards to point B (see exploded view). Do not damage the housing. If the panel has been damaged, get a new one.

PRODUCTS MEETS THE REQUIREMENTS REGARDING INTERFERENCE SUPPRESSION ON RADIO AND TELEVISION.

- AFTER THE PRODUCT HAS BEEN REPAIRED IT SHOULD FUNCTION PROPERLY AND HAS TO MEET THE SAFETY REQUIREMENTS AS LAID DOWN OFFICIALLY ESTABLISHED AT THIS MOMENT.



HD 7605/A



1	4222 247 58230	Tank lid (indicator)	ceramic white
2	4222 247 58540	Disc	zinc brown
3	4222 247 58530	Spout	zinc brown
4	4222 259 33520	Dosing indicator assy	ceramic white
5	4222 247 58510	Rim	zinc brown
6	4222 246 22890	Cord Euro	black
-	4222 246 24180	Cord Japan	
-	4222 246 15120	Cord Switzerland	
-	4222 246 25320	Cord UK	
7	4222 447 05680	Stud	
8	4222 247 58440	Jug lever	zinc brown
9	4222 247 55870	Spout pipe	
10	4222 247 55780	Switch casing	
11	4222 246 23640	Rota switch	
12	4222 246 25390	Switch ASO	zinc brown
-	4222 246 15470	Switch 100V AS	zinc brown
13	4222 259 33470	Switch panel	ceramic white
14	4222 247 58490	Rota button	zinc brown
15	4222 247 58550	Filterholder 1)	zinc brown
16	4222 240 06060	Dripstop spring	

17	4222 247 06630	Ring	
18	4222 247 58560	Dripstop	zinc brown
19	4222 247 58260	Jug lid	zinc brown
20	4822 418 10429	Jug assy 2)	zinc brown
21	4222 259 28090	Pump assy	
-	4222 259 28100	Pump assy 100V	
22	4222 240 06040	Hotplate	
23	4222 247 55540	Hotplate ring	
24	4222 259 20460	Valve	
25	4222 247 06440	Hose piece	
26	4222 245 71470	Wire spring	
27	4222 247 40210	Spoon	black

- Optional part for use as an insert in item 15:
 - 4822 480 50479 Permanent filter nylon
 - 4822 480 10107 Permanent filter stainless steel
 - 4822 480 50402 Permanent filter gold
- Commercial trade number of the jug HD 7952