

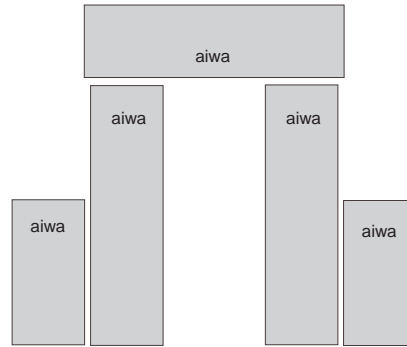


SX-AVR1700 Y

SX-AV1700 Y

SX-C1700 Y

SX-R1700 Y



SX-AV1700
SX-R1700
SX-C1700

SERVICE MANUAL

SPEAKER SYSTEM

aiwa

S/M Code No. 09-993-328-1N2



SPECIFICATIONS

SX-AV1700

Speaker	2 way 3 speakers Woofer: 100 mm, cone type Tweeter: 60 mm, cone type Passive radiator: 100 mm
Impedance	8 ohms
Maximum input power	75 W (peak)
Dimensions (W x H x D)	170 x 500 x 205 mm (6 ³ / ₄ x 19 ³ / ₄ x 8 ¹ / ₈ in.)
Weight	2.8 kg (6 lbs 3 oz)

- Design and specifications are subject to change without notice.

SX-C1700

Speaker	Full-range: 100 mm x 2, cone type
Impedance	8 ohms
Maximum input power	75 W (peak)
Dimensions (W x H x D)	430 x 120 x 175 mm (17 x 4 ³ / ₄ x 7 in.)
Weight	2.7 kg (5 lbs 15 oz)

- Design and specifications are subject to change without notice.

SX-R1700

Speaker	Full-range: 100 mm x 1, cone type
Impedance	8 ohms
Maximum input power	75 W (peak)
Dimensions (W x H x D)	120 x 230 x 175 mm (4 ³ / ₄ x 9 ¹ / ₈ x 7 in.)
Weight	1.9 kg (4 lbs 3 oz)

- Design and specifications are subject to change without notice.

ACCESSORIES LIST

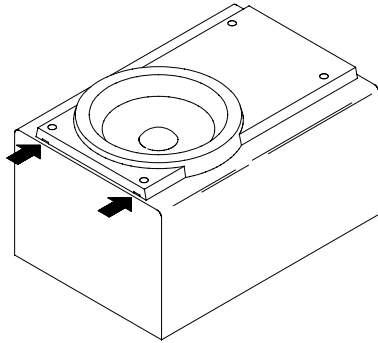
DESCRIPTIONで判断できない物は "REFERENCE NAME LIST" を参照してください。
If can't understand for Description please kindly refer to "REFERENCE NAME LIST".

REF. NO	PART NO.	KANRI NO.	DESCRIPTION
1	8Z-AS3-906-010	IB,Y(9L)C	

SPEAKER DISASSEMBLY INSTRUCTIONS

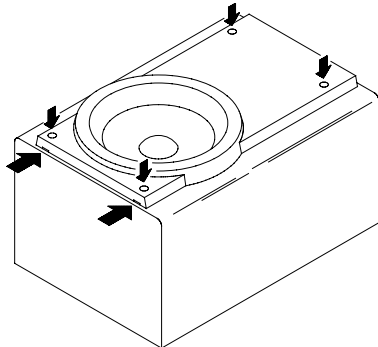
Type.1

Insert a flat-bladed screwdriver into the position indicated by the arrows and remove the panel. Remove the screws of each speaker unit and then remove the speaker units.



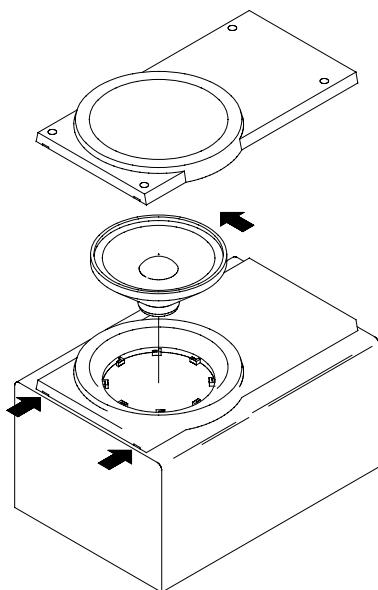
Type.2

Remove the grill frame and four pieces of rubber caps by pulling out with a flat-bladed screwdriver. Remove the screws from hold where installed rubber caps. Insert a flat-bladed screwdriver into the position indicated by the arrows and remove the panel. Remove the screws of each speaker unit and then remove the speaker units.

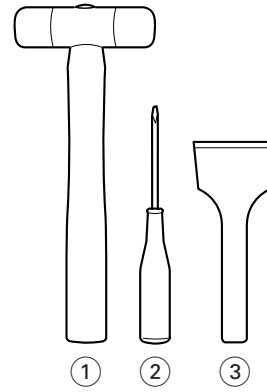


Type.3

Insert a flat-bladed screwdriver into the position indicated by the arrows and remove the panel. Turn the speaker unit to counter-clockwise direction while inserting a flat-bladed screwdriver into one of the hollows around speaker unit, and then remove the speaker unit. After replacing the speaker unit, install it turning to clockwise direction until "click" sound comes out.



Type.4



TOOLS

- ① Plastic head hammer
- ② (⊖) flat head screwdriver
- ③ Cut chisel

How to Remove the PANEL, FR

1. Insert the (⊖) flat head screwdriver tip into the gap between the PANEL, FR and the PANEL, SPKR. Tap the head of the (⊖) flat head screwdriver with the plastic hammer head, and create the clearance as shown in Fig-1.
2. Insert the cut chisel in the clearance, and tap the head of the cut chisel with plastic hammer as shown in Fig-2, to remove the PANEL, FR.
3. Place the speaker horizontally. Tap head of the cut chisel with plastic hammer as shown in Fig-3, and remove the PANEL, FR completely.

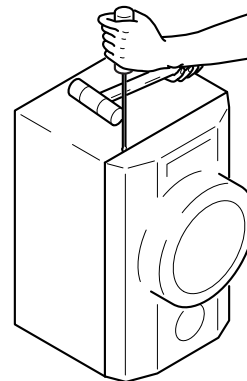


Fig-1

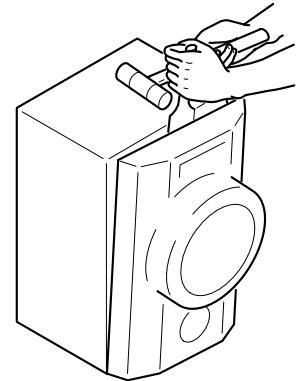


Fig-2

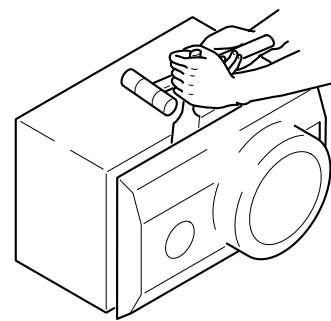


Fig-3

How to Attach the PANEL, FR

Attach the PANEL, FR to the PANEL, SPKR. Tap the four corners of the PANEL, FR with the plastic hammer to fit the PANEL, FR into the PANEL, SPKR completely.

SPEAKER PARTS LIST

SX-AV1700

DESCRIPTIONで判断できない物は "REFERENCE NAME LIST" を参照してください。
If can't understand for Description please kindly refer to "REFERENCE NAME LIST".

REF. NO	PART NO.	KANRI NO.	DESCRIPTION
1	8Z-AS3-001-010		GRILLE,FRAME ASSY
2	8Z-AS3-602-010		SPKR, 100
3	8Z-AS3-604-010		SPKR, 100
4	8Z-AS3-606-010		SPKR, TW 50
5	8Z-AS3-005-010		TERMINAL,ASSY
6	88-AS1-609-010		SPKR, CORD 30M

SX-C1700

DESCRIPTIONで判断できない物は "REFERENCE NAME LIST" を参照してください。
If can't understand for Description please kindly refer to "REFERENCE NAME LIST".

REF. NO	PART NO.	KANRI NO.	DESCRIPTION
1	8Z-AS4-001-010		GRILLE,FRAME ASSY
2	8Z-AS4-602-010		SPKR, 100
3	8Z-AS4-003-010		TERMINAL,ASSY

SX-R1700

DESCRIPTIONで判断できない物は "REFERENCE NAME LIST" を参照してください。
If can't understand for Description please kindly refer to "REFERENCE NAME LIST".

REF. NO	PART NO.	KANRI NO.	DESCRIPTION
1	8Z-AS5-601-010		SPKR, 100
2	8Z-AS5-001-010		GRILLE,FRAME ASSY
3	8Z-AS5-005-010		TERMINAL,ASSY