

Service  
Service  
Service



Philips Domestic Appliances and Personal Care

# Service Manual

SAP coding HD 7460/10

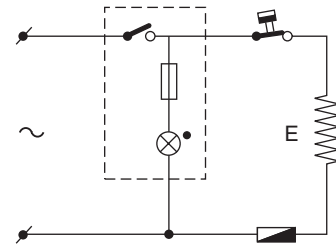
## PRODUCT INFORMATION

Voltage	: 100 - 120 V, 220 - 240 V
Frequency	: 50 - 60 Hz
Power consumption	: 650 W
Jug HD 7970	: 600 cc
Color setting	: White / mineral green

## REPAIR INSTRUCTION

1. Electrical circuit  
When the appliance does not work, check the electrical circuit. In case of a technical defect the appliance need to be replaced.
2. De-scaling  
If the water system is nearly or less clogged by scale then operate the coffeemaker with an appropriate descaler or fill the tank with white vinegar or an solution of either citric acid or tartar-acid.  
Let the appliances complete two runs.  
Fill the tank with normal tap water and make two more runs to remove all vinegar and scale residues.

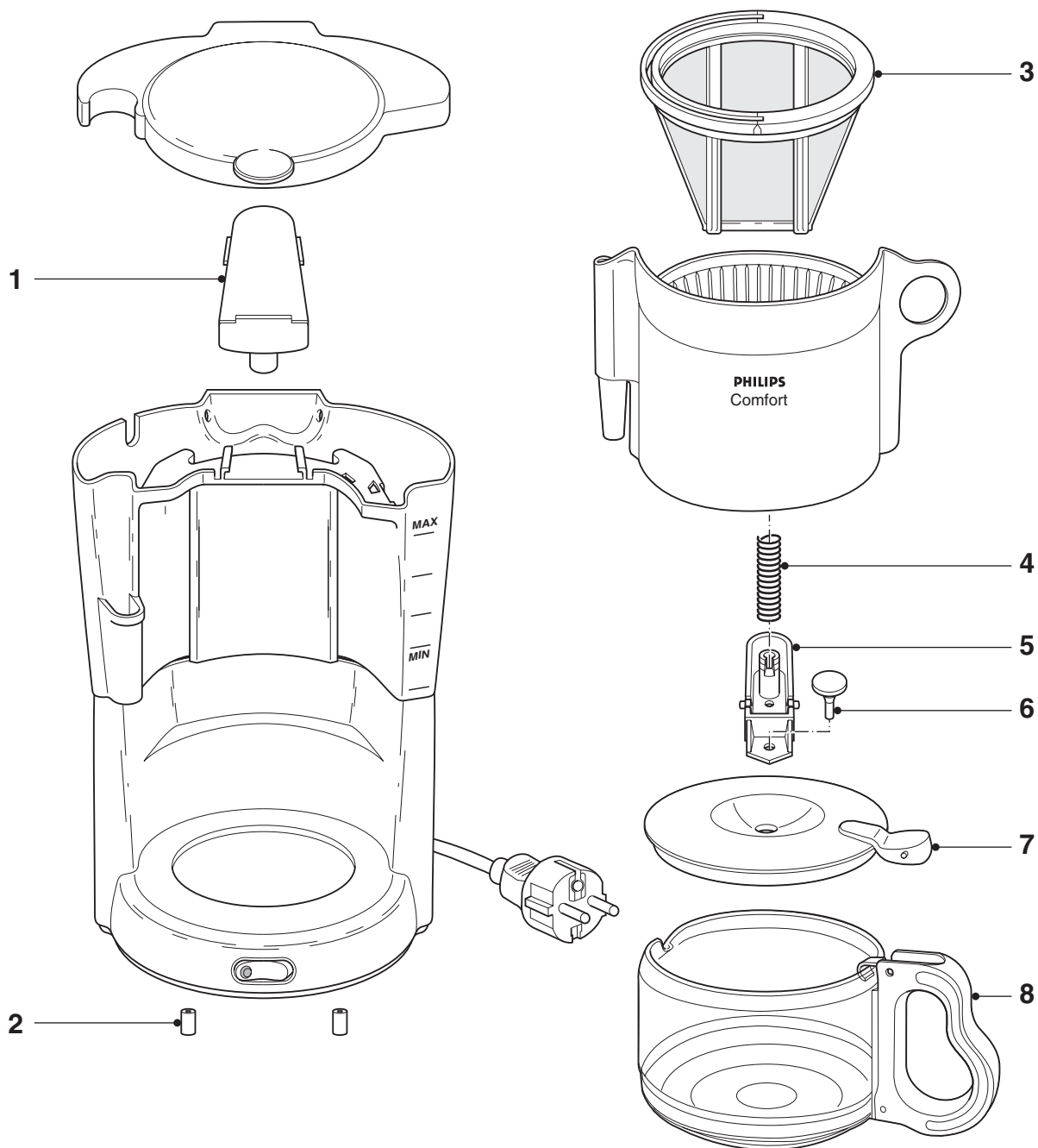
Commercial trade number: HD 7970 (jug included lid)



This product meets the requirements regarding interference suppression on radio and TV.

After the product has been repaired, it should function properly and has to meet the safety requirements as officially laid down at this moment.

# HD 7460/10



Pos.	Service code	Part name
1.	9965 000 13381	Spreader
2.	9965 000 13386	Rubber foot
3.	9965 000 13387	Permanent filter
4.	9965 000 13384	Spring (lever)
5.	9965 000 13382	Lever P&S
6.	9965 000 13385	Seal
7.	9965 000 13383	Jug lid
8.	8827 970 54520	Service Jug + Lid