



Philips Domestic Appliances and Personal Care

Service Manual

PRODUCT INFORMATION

Features

- Colour white/grey
- Careeza soleplate
- Tank capacity (350 ml)
- Steam rate (40 g/min)
- Shot of steam (80 g)
- Vertical steam
- Permanent Anti-Calc
- Automatic shut off
- Soft touch hand grip
- Protective storage cover
- Integrated cord winder with clip
- Extra long cord : 3 m.

Safety Information

- This product meets the requirements regarding interference suppression on radio and TV.
- After the product has been repaired, it should function properly and has to meet the safety requirements and legal regulations as officially laid down at this moment.

TECHNICAL INFORMATION

Voltage	: 120 V, 220 - 240 V
Frequency	: 50 - 60 Hz
Power consumption	: 1450 W, 2200 W

Water advice

Suitable for tap water use. However if the tap water in your area is very hard, we advise you to mix it with an equal portion of distilled water or to use distilled water only.

Cleaning of the Iron

Use only the Calc clean button for cleaning of the Iron. Never use vinegar or other descaling agents.

Soleplate

Careeza is a multi layer chemical substance that gives an excellent gliding over various fabrics and better care for the garments.

Auto shut-off (ASO)

A relay in the electronic module interrupts the power to the heating element when the iron has been motionless.

- for 30 secs in the horizontal position.
- for 8 minutes in the vertical position.

The red "Auto-off" pilot light starts blinking.

When the iron is moved again, it is automatically switched 'ON' again.

Vertical Steam

When the iron is kept in a vertical position, the shot of steam (S.O.S) button can be used to iron hanging fabrics such as curtains.

Anti drip

Water is only released to through the tank valve into the steam chamber if the soleplate temperature is high enough to evaporate all water. If the temperature is too low, the tank valve is closed by means of a bi-metal disc.

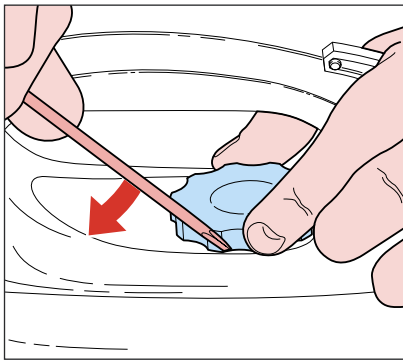
Protective storage cover

The cover protects the soleplate from accidental damage.

Caution : Do not use the cover while the iron is heating up or with the plug in the mains.

DIAL 1

RATTLE SPRING 2



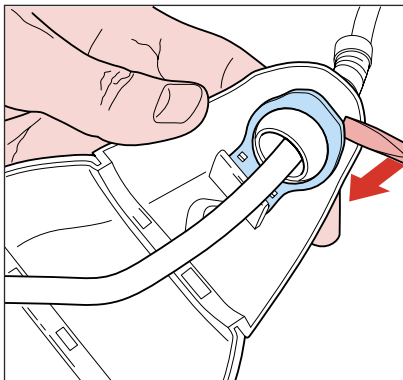
BACKPLATE 102, 103

CORDSET 4

SWIVEL HOLDER 101

SWIVEL 104

- Remove Screw A
- Remove Screws B1, B2



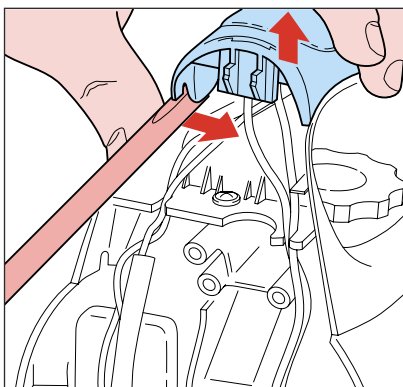
FILLING DOOR 6

INLAY 7

OPERATION KNOBS 8

ASO UNIT 9 (PCB)

- Remove Screw A
- Remove Backplate 3, 26



SLIDE UNIT 10

NEEDLE SET 11

TANK SEAL 12

HANDLE 13

SELF CLEAN BUTTONS 14

SPRAY NOZZLE ASSY 15

PUMP ASSY 16

- Remove Screw A
- Remove Backplate 102, 103
- Remove Inlay 106
- Remove Operation knobs 107, 108
- Remove Screws C1, C2
- Remove Slide Unit 114, 115
- Remove Needle set 116, 117, 118
- Remove Screws D1, D2

THERMOSTAT BUSH 17

WATER TANK 18

- Remove Screw A
- Remove Backplate 102, 103
- Remove Inlay 7
- Remove Operation knobs 107, 108
- Remove Screws D1, D2
- Remove Handle 13
- Remove Screws E1, E2
- Remove Water tank 18
- Remove Screw F

SOLEPLATE COVER 19

ISOLATION PLUG 20

SOS SEAL 21

DOSING SEAL 22

SOLEPLATE ASSY 23

- Remove Screw A
- Remove Backplate 102, 103
- Remove Inlay 7
- Remove Operation knobs 107, 108
- Remove Screws D1, D2
- Remove Handle 13
- Remove Screws E1, E2
- Remove Water tank 18
- Remove Screw F
- Remove Heat shield
- Remove Screws G1, G2
- Remove Soleplate cover 19

REPAIR INSTRUCTIONS

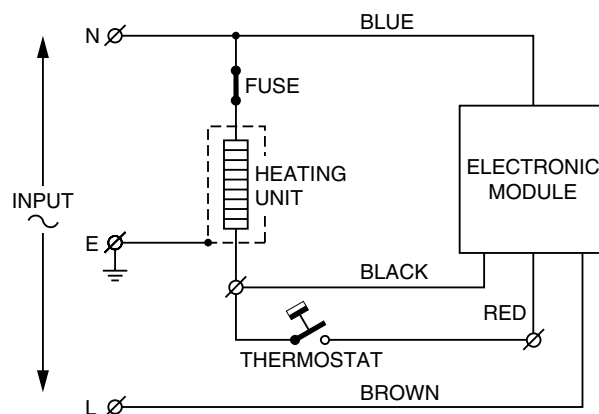
- Due to high voltage of the iron, ONLY the specified cordsets must be used.
- For standardisation reasons :
 - Dial : With English / Spanish text only.
 - Rattle spring : 5 pcs will be supplied when ordered.
 - Type plate : No information about the typenumber and voltage have been stamped onto the typeplate. When replacing the typeplate, engrave at least typenumber onto the typeplate with a sharp object.
- Parts with numbers from 100 and higher, cannot be ordered separately
- Thermostat 119, fitted to the soleplate 23 has already been adjusted by the supplier and secured by glue.
 - To avoid mal-function of the iron, NEVER re-adjust the thermostat.
- The thermostat 119 can only be ordered together with the soleplate assembly 23.

OPTIONAL (accessories)

- No specific issues

Pos	Service code	Description	Consist of
1	4239 021 04340	Dial	
2	4239 014 53830	Rattle spring	
3	9965 000 08611	Backplate	102, 103
4	4239 000 07760	Cordset EU 230 V / 2200 W	
	4239 021 03260	Cordset CSA 120 V / 1450 W	
	4239 000 07870	Cordset UL 120 V / 1450 W	
5	9965 000 08787	Swivel	101, 104
6	4239 021 04370	Filling door	
7	9965 000 08788	Inlay printed	105, 106, 109
8	9965 000 08789	Operation knobs	107, 108
9	4239 021 01960	Auto shut off unit	
10	9965 000 08790	Slide unit	114, 115
11	9965 000 08791	Needle set	116, 117, 118
12	4239 015 54400	Tank seal	
13	4239 021 04350	Handle unprinted	
14	9965 000 08792	Self clean buttons	110, 111
15	4239 021 03040	Spray nozzle unit	
16	4239 020 90560	Pump assy	
17	4239 015 98410	Thermostat Bush	
18	4239 022 52990	Water tank (grey)	113
19	4239 021 05960	Soleplate cover (cover sprayed)	
20	4239 025 98250	Isolation plug	
21	4239 015 54410	Sos seal	
22	4239 015 54390	Dosing seal	
23	4239 021 02050	Soleplate assy + thermostat (230 V / 2200 W)	112, 119
	4239 021 03270	Soleplate assy + thermostat (120 V / 1450 W)	112, 119
24	4239 021 05690	Soleplate storage cover	

■ = changed



Screws :	d	x	l
A, B, C, D, E	3.5	x	16.5 mm
F	4.0	x	9.0 mm (with washer)
G	4.0	x	9.0 mm

