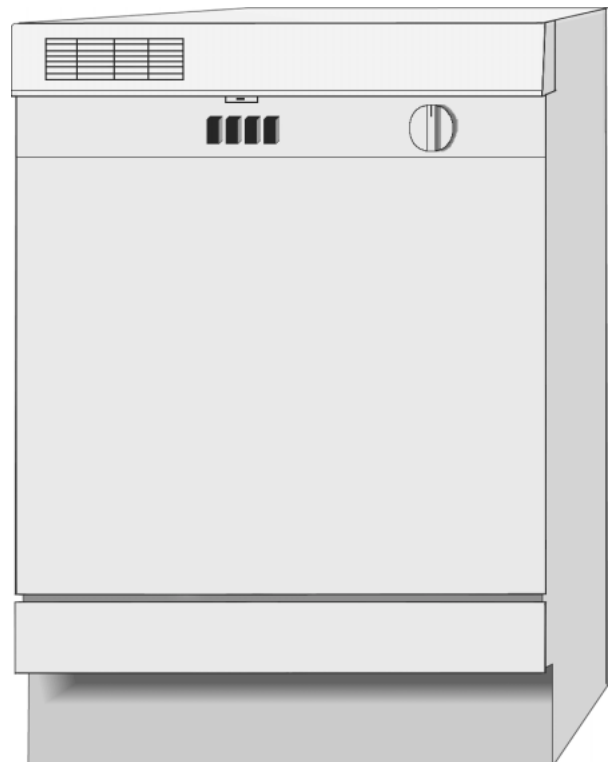


AUTOMATIC DISHWASHER

Models
3885M 3885S



PRODUCTS

Brand Fisher & Paykel, Frigidaire, Kelvinator, Prestcold, Shacklock

Voltage 220-240V 50Hz

Model	Code									
3885M	82916	82918	82950	83933	83934	83935	87052	89430	89431	89432
3885S	82910	82911	82912	82920	82921	82922	83923	83924	83925	89427 89428 89429

Fisher & Paykel Customer Services
 PO Box 798
 19 Enterprise St
 Cleveland, Queensland 4163
 Australia
 Tel: (07) 3826 9122
 Fax: (07) 3826 9164
 Email: parts@fp.com.au
 A.C.N 003 335 171

Fisher & Paykel Appliances Ltd
 Appliance Spare Parts
 PO Box 14-148, Panmure.
 80 Springs Rd, East Tamaki
 New Zealand
 Tel: (09) 272 0261
 Fax: (09) 272 0219
 Email: parts@fp.co.nz

CONTENTS

DOOR PANEL AND CONTROLS.....	6
INNER DOOR PANEL AND COMPONENTS.....	10
CABINET.....	14
SUMP AND PUMPS	18
BASKETS AND SPRAY ARMS	22
NOTES	25

GUIDE TO USING THIS MANUAL

The model(s) and/or series covered by this manual are listed on the front cover.

The information detailed in this manual is subject to change without notice, the latest version is indicated by the reprint date and replaces any earlier editions.

The front cover picture shows the type of product and may not necessarily be an exact image of the models covered by the manual.

Part References

Where a Model is shown, the part is exclusive to the Model(s) stated. Common parts relating to a part reference are applicable to all other Model(s) which use the particular item.

Kit Parts

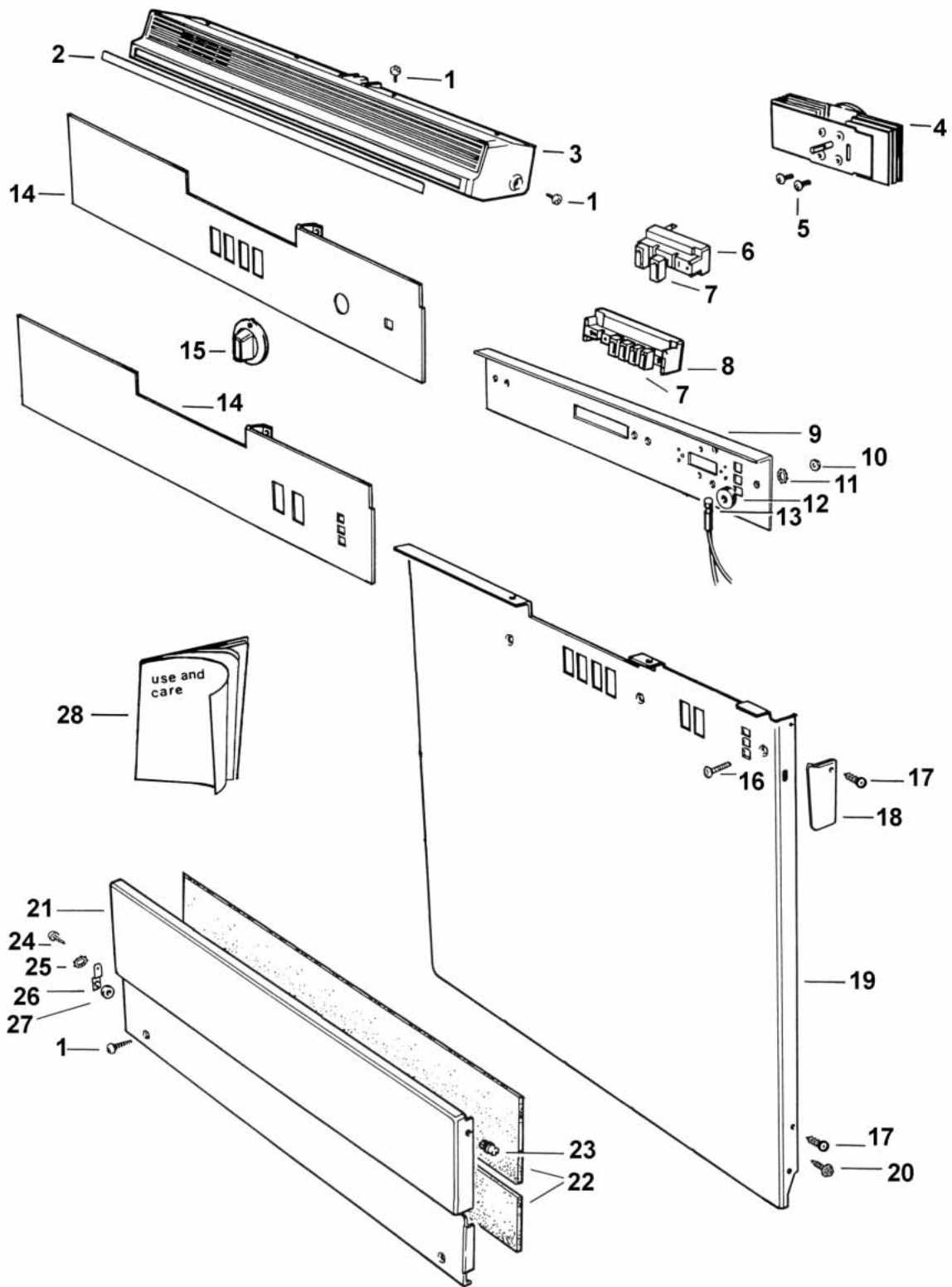
The components shown in *italics* are those parts in the kit which are available also as separate items. In addition, some parts may be supplied with this kit which are not available as separate items and are therefore not listed in this manual.

All details relating to Technical Bulletins or Notes are shown on a dedicated page. The Technical Bulletin Number shown relates to the bulletin version which is produced for New Zealand Service Centres.

Parts List Key

NOT USED	As a part, indicates the diagram part reference is not used in this manual.
#	Beside the part number, indicates the part is no longer available.
<i>italics</i>	Kit components shown in <i>italics</i> are also available separately.
*	Indicates a technical bulletin or note exists for the part or part reference.
NI	As a part reference, indicates the part is not illustrated on the diagram.

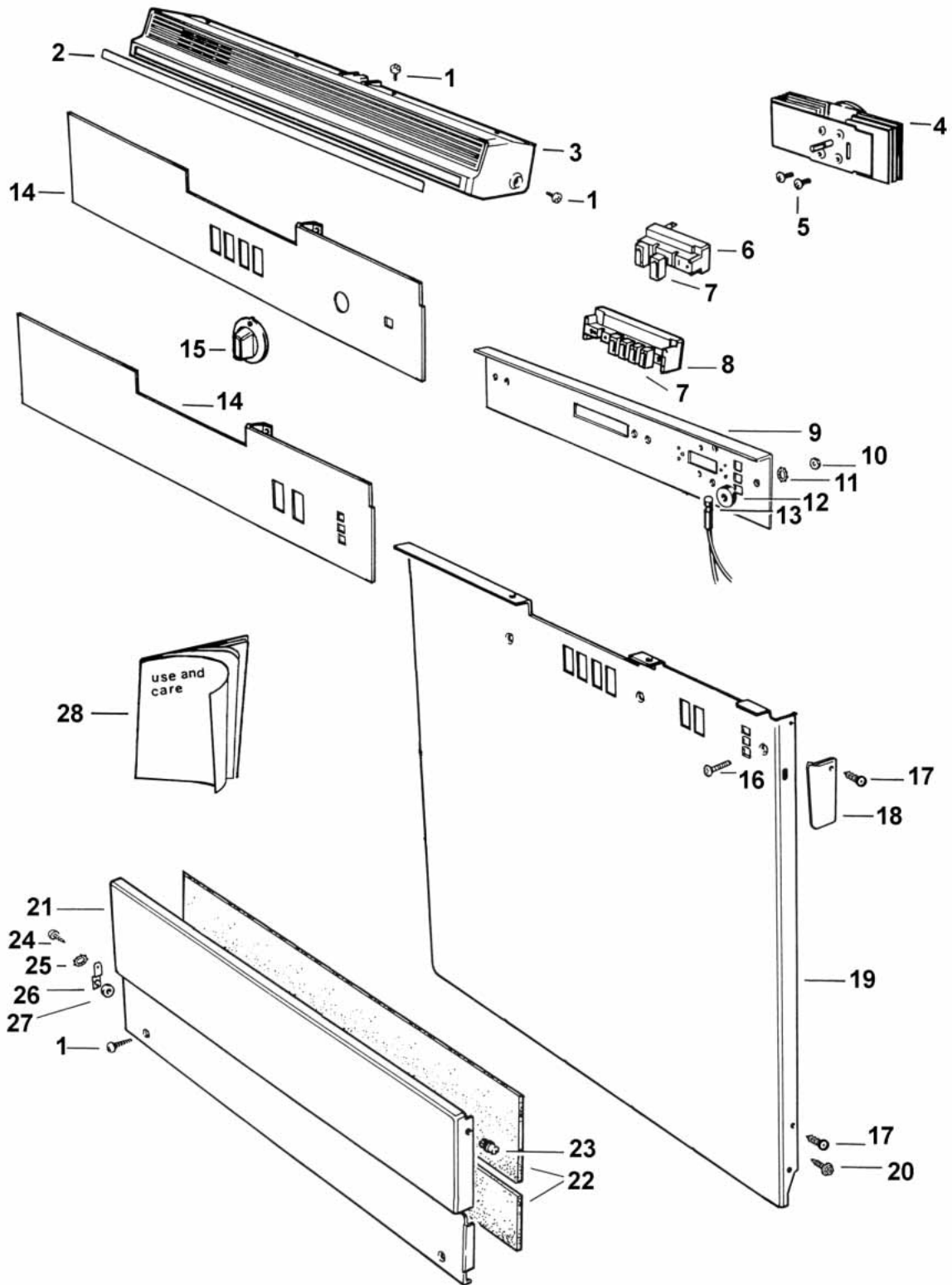
DOOR PANEL AND CONTROLS



DOOR PANEL AND CONTROLS

REF	PART	DESCRIPTION	MODEL
1	556007	SCREW ST 8X12MM TA MTS PH SS	
2	473077	INSERT HANDLE SIERRA	
	473435	INSERT HANDLE WHITE	
3	473088	ESCUTCHEON HANDLE SIERRA	
	473430	ESCUTCHEON HANDLE WHITE	
4	388611P	TIMER	3885M
	473409P	TIMER	3885S
5	556020	SCREW MC M4X5 PAN PH MS NP	
6	388724	SWITCH SELECTOR 2 BUTTON	3885M
7	473226	BUTTON PUSH SIERRA	
	473500	BUTTON PUSH WHITE	
8	388723	SWITCH SELECTOR 4 BUTTON	3885S
9	473333#	BRACKET CONTROL MOUNTING	
10	611105P	NUT M5 HEX PKTS OF 10	
11	556511	WASHER LOCK 3/16 EXT SER ST BU	
12	473348#	SPACER CONTROL PANEL	
13	471163	NEON ASSY	
14	473358#	PANEL CONTROL FRIGIDAIRE SIERRA	3885M
	473360	PANEL CONTROL NON BRANDED SIER	3885M
	473465#	PANEL CONTROL SHACKLOCK SIERRA	3885M
	473514#	PANEL CONTROL FISHER & PAYKEL WHITE	3885M
	473515#	PANEL CONTROL FISHER & PAYKEL SIERRA	3885M
	473532#	PANEL CONTROL SHACKLOCK WHITE	3885M
	473359	PANEL CONTROL PVC KELVINATOR S	3885S
	473440#	PANEL CONTROL FRIGIDAIRE SIERRA	3885S
	473441#	PANEL CONTROL PVC NON BRANDED SIERRA	3885S
	473442	PANEL CONTROL SHACKLOCK SIERRA	3885S
	473459	PANEL CONTROL NON BRANDED	3885S
	473531#	PANEL CONTROL SHACKLOCK WHITE	3885S
15	473232#	KNOB ASSY TIMER SIERRA/WHITE	3885S
	260160	COMPRESSION RING SPIRE SCB1730	
	473490#	KNOB ASSY TIMER SIERRA/JAFFA	3885S
	260160	COMPRESSION RING SPIRE SCB1730	
	473505	KNOB ASSY TIMER WHITE	3885S
	260160	COMPRESSION RING SPIRE SCB1730	
16	556035#	SCREW MC M5X20 CSK PH MS NIPL	
17	611979P	SCREW ST 8X3/8 TAB MUSH PH X10	

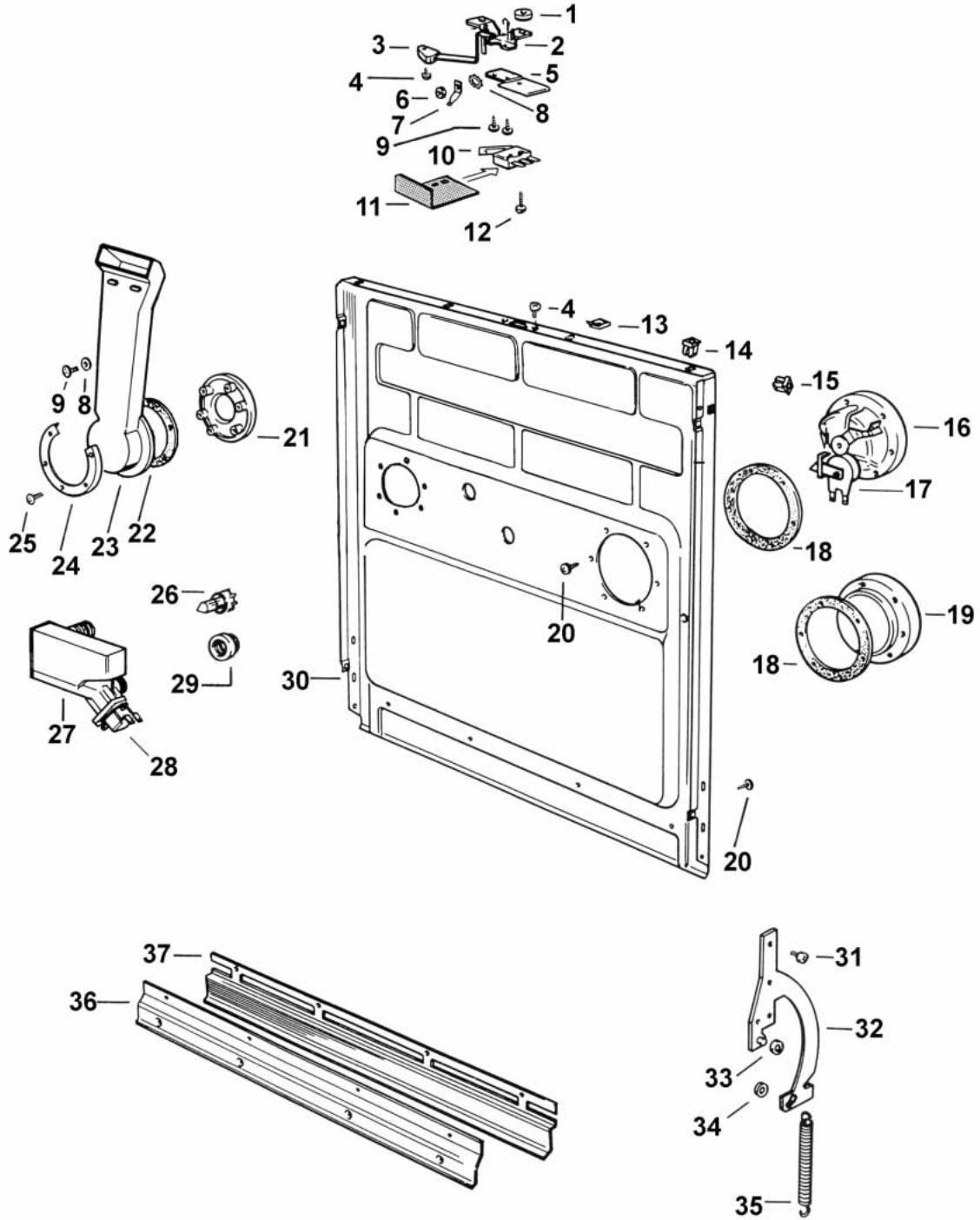
DOOR PANEL AND CONTROLS



DOOR PANEL AND CONTROLS

REF	PART	DESCRIPTION	MODEL
18	388661	TRIM END LH DARK SIERRA	
	388662	TRIM END RH DARK SIERRA	
	473089	TRIM END LH SIERRA	
	473431	TRIM END LH WHITE	
	473432	TRIM END RH WHITE	
19	473363#	PANEL DOOR OUTER WHITE	
20	556042	SCREW MC M5X10 PAN PH SS	
21	473214	PANEL SERVICE WHITE	
22	473085#	INSULATION ACOUSTIC	
23	521080	PEG SERVICE PANEL 3887	
24	556018	SCREW MC M4X8 HEX PH MS NP	
25	611402	WASHER LOCK M4 ET ZNPL	
26	461571	TERM EARTH H1889ET	
27	611103P	NUT M4 HEX FS (PKT 10)	
28	473408#	BOOK USE & CARE NZ	3885M
	473494#	BOOK USE & CARE AUST	3885M
	473485	BOOK USE & CARE	3885S
NI	473071#	TRIM SERVICE PANEL SIERRA	
	473157#	TRIM SERVICE PANEL DARK SIERRA	
NI	473342#	LABEL WIRING DIAGRAM	
NI	473366#	SHADE NEON	3885M
NI	473403	LEAFLET INSTALLATION INSTRUCTI	

INNER DOOR PANEL AND COMPONENTS



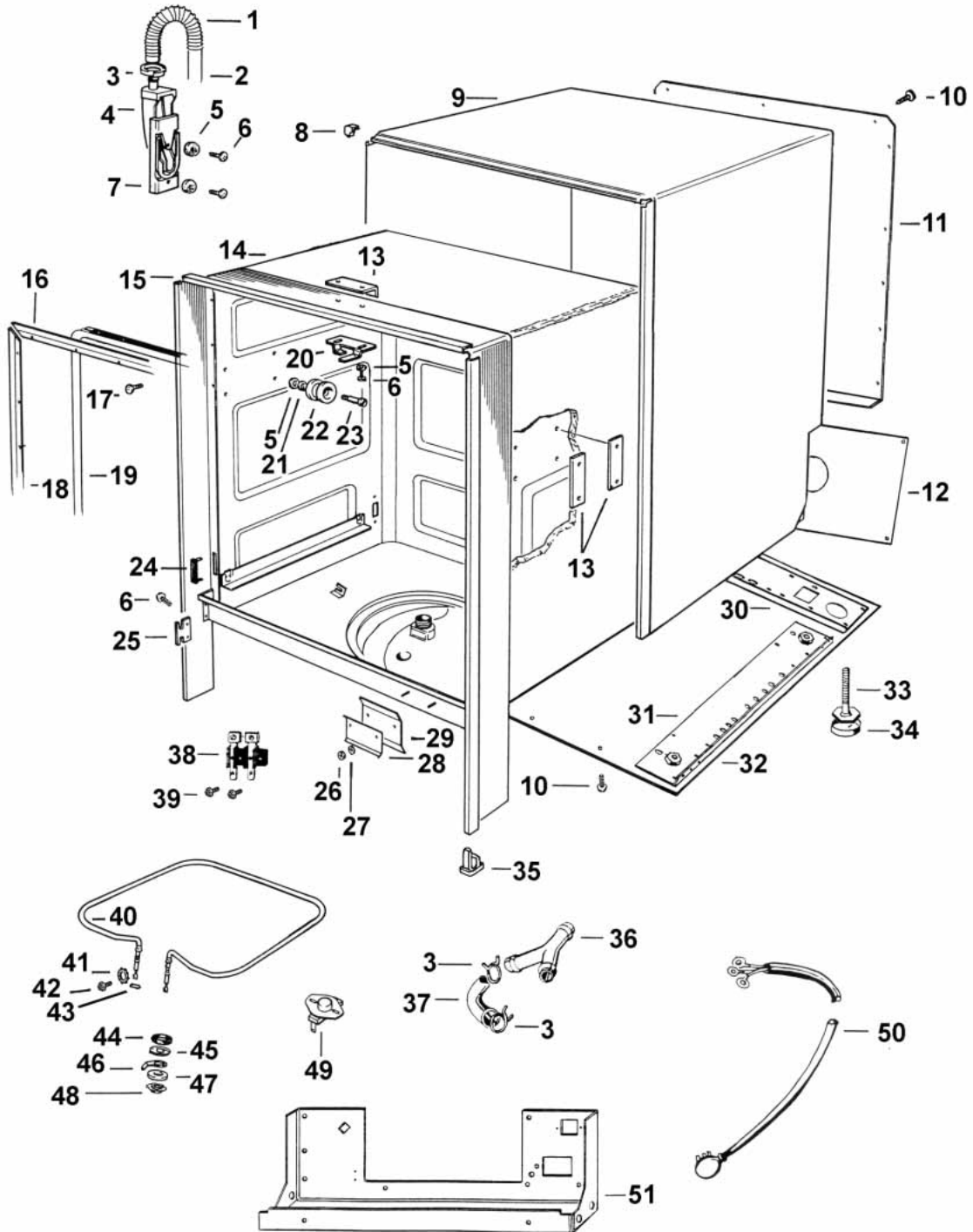
INNER DOOR PANEL AND COMPONENTS

REF	PART	DESCRIPTION	MODEL
1	473296#	SPACER LATCH	
2	388688	LATCH ASSEMBLY	
3	473225	KNOB DOOR LATCH SIERRA/WHITE	
	473499#	KNOB DOOR LATCH WHITE	
4	556020	SCREW MC M4X5 PAN PH MS NP	
5	388493	BRACKET MICROSWITCH	
6	611103P	NUT M4 HEX FS (PKT 10)	
7	461571	TERM EARTH H1889ET	
8	611402	WASHER LOCK M4 ET ZNPL	
9	556058	SCREW ST 6X3/8 TAB MSH PH NP	
10	274002	MICROSWITCH LID AW & DOOR DW	
11	473045	COVER MICROSWITCH	
12	556001	SCREW ST 4X20 PAN PH ZNPL	
13	556102	NUT CAPTIVE NO8 SPIRE SNU 3381	
14	388482	FASTENER WEDGE	
15	388511#	GROMMET SCREW FASTEX	
16	388074P	DISPENSER DETERGENT	3885S
17	388457#	SOLENOID DETERGENT DISPENSER	
18	388765	GASKET	
19	388667#	CUP DETERGENT	3885M
20	556007	SCREW ST 8X12MM TA MTS PH SS	
21	388234	COVER VENT	
22	388230#	GASKET VENT	
23	388544	TUBE VENT	
24	388420#	PLATE VENT TUBE	
25	556008#	SCREW ST 8X5/8 TAB PAN PZD SS	
26	388083	CAP RINSE AID OPTICAL	
27	388084P	DISPENSER RINSE AID	
28	388085#	COIL RINSE AID DISPENSER	
29	7021338W#	NOZZLE RINSE AID DISPENSER	
30	473372	PANEL DOOR INNER	
31	556042	SCREW MC M5X10 PAN PH SS	
32	521357	KIT HINGE QUADRANT (RIVET) LH	
	521358	KIT HINGE QUADRANT (RIVET) RH	
33	556508	WASHER 7.2 12.7 1.0 NYLON	
34	404045	GROMMET HINGE QUADRANT	
35	388824	SPRING HINGE	

INNER DOOR PANEL AND COMPONENTS

REF	PART	DESCRIPTION	MODEL
36	388223	MOAT SPLASHGUARD	
37	388220	MOAT BAFFLE	

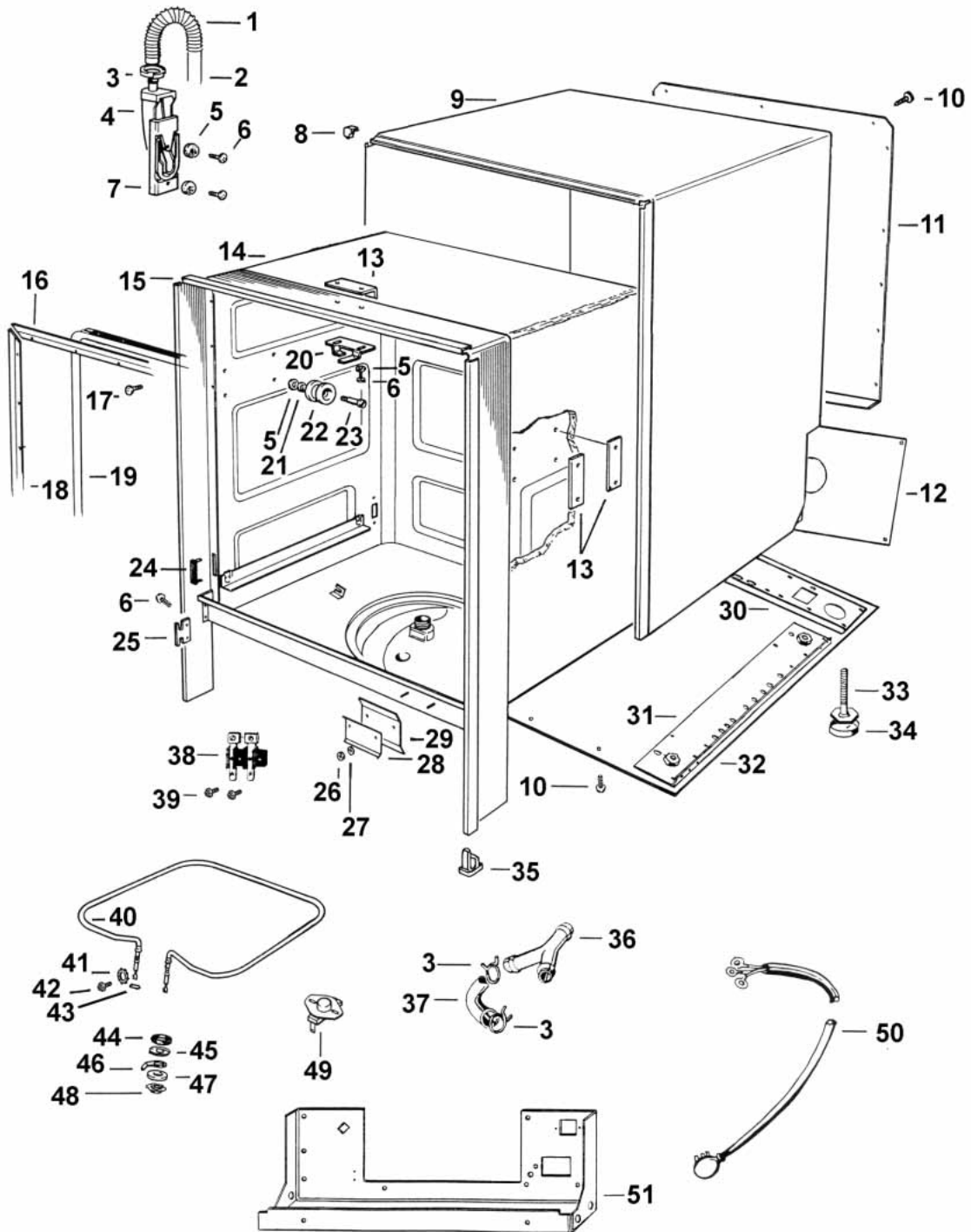
CABINET



CABINET

REF	PART	DESCRIPTION	MODEL
1	388454	SPRING HOSE	
2	388921	HOSE FILL LONG 810MM	3885M
	473371	HOSE FILL (3885/6S)	3885S
3	614501#	CLAMP CORBIN 15.875 MM ID	
4	404067	FUNNEL FILL	
5	556505	WASHER 5.3 15.0 BONDED SS/RUBR	
6	556042	SCREW MC M5X10 PAN PH SS	
7	473326	BRACKET FILL FUNNEL POWDER CTD	
8	388926	TRIM CORNER SIERRA	
	473439	TRIM CORNER LIGHT SIERRA	
9	473211	WRAPPER CABINET WHITE	
	473213	WRAPPER SIERRA	
10	611979P	SCREW ST 8X3/8 TAB MUSH PH X10	
11	388998#	PANEL BACK	
12	388880#	PANEL LOWER REAR	
13	388255	PLATE TAPPING	
14	521091	SOUND ABSORBER BLANKET	
15	473370#	TUB & FRAME ASSY	
16	388353	RETAINER GASKET UPPER	
17	556007	SCREW ST 8X12MM TA MTS PH SS	
18	* 388370	RETAINER GASKET RH	
	388371	RETAINER GASKET LH	
19	388351	GASKET DOOR	
20	473270	KEEPER LATCH	
21	556508	WASHER 7.2 12.7 1.0 NYLON	
22	521187	ROLLER TUB GREY	
23	388245	ROLLER STUD TUB	
24	521193	GUIDE QUADRANT GREY	
25	473231	PLATE HINGE	
26	611103P	NUT M4 HEX FS (PKT 10)	
27	556506#	WASHER 5/32X7/16 20BG MS NIPL	
28	388228	CLAMP WIRING	
29	521129	INSULATOR STRIP 3887	
30	473294	CHASSIS REAR MEMBER	
31	473295	CHASSIS SIDE MEMBER	
32	388876	COVER CHASSIS	
33	473059	FOOT LEVELLING M8	

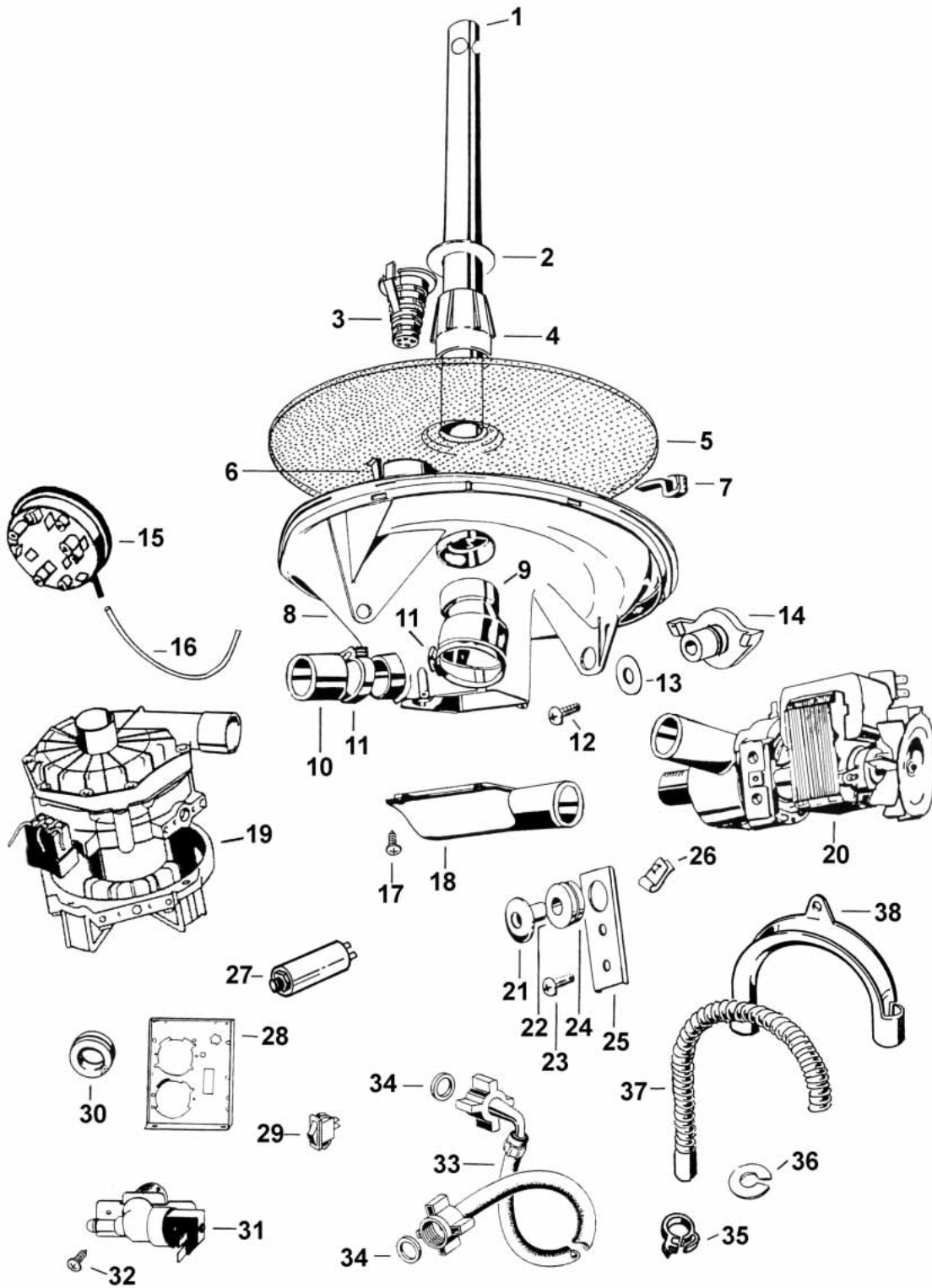
CABINET



CABINET

REF	PART	DESCRIPTION	MODEL
34	572850	FOOT PROTECTOR M8	
35	473815	CAP FRAME	
36	404831	Y UNION	3885S
37	388922	HOSE FILL 215MM	3885S
38	388286	BLOCK TERMINAL	
39	556008#	SCREW ST 8X5/8 TAB PAN PZD SS	
40	* 503894	KIT HEATER ELEMENT	
		<i>473821 BRACKET SUPPORT EXTD ELMNT(SP)</i>	
		<i>521343 ELEMENT ASSY 3886/7 (SPARES)</i>	
41	556513	WASHER LOCK 5/32 EXT SER ST BU	
42	556018	SCREW MC M4X8 HEX PH MS NP	
43	388758	O RING	
44	556502	WASHER 16.2 30.5 4.7 ELASTOPRN	
45	388727	WASHER CUP(ELEMENT)	
46	473202	TERM EYELET H3579ET	
47	556501	WASHER 12.7 28.7 2.0 MS NIPL	
48	556110	NUT SPEED GE 218A2533P04	
49	388847	THERMOSTAT 45DEG	
	388848	THERMOSTAT 59DEG	
	521385	KIT THERMOSTAT MAN-AUTO RESET	
50	388227#	CABLE MAINS	
51	473760	BRACKET CHASSIS FRONT	
NI	473039	INSULATOR TERMINAL BLOCK	

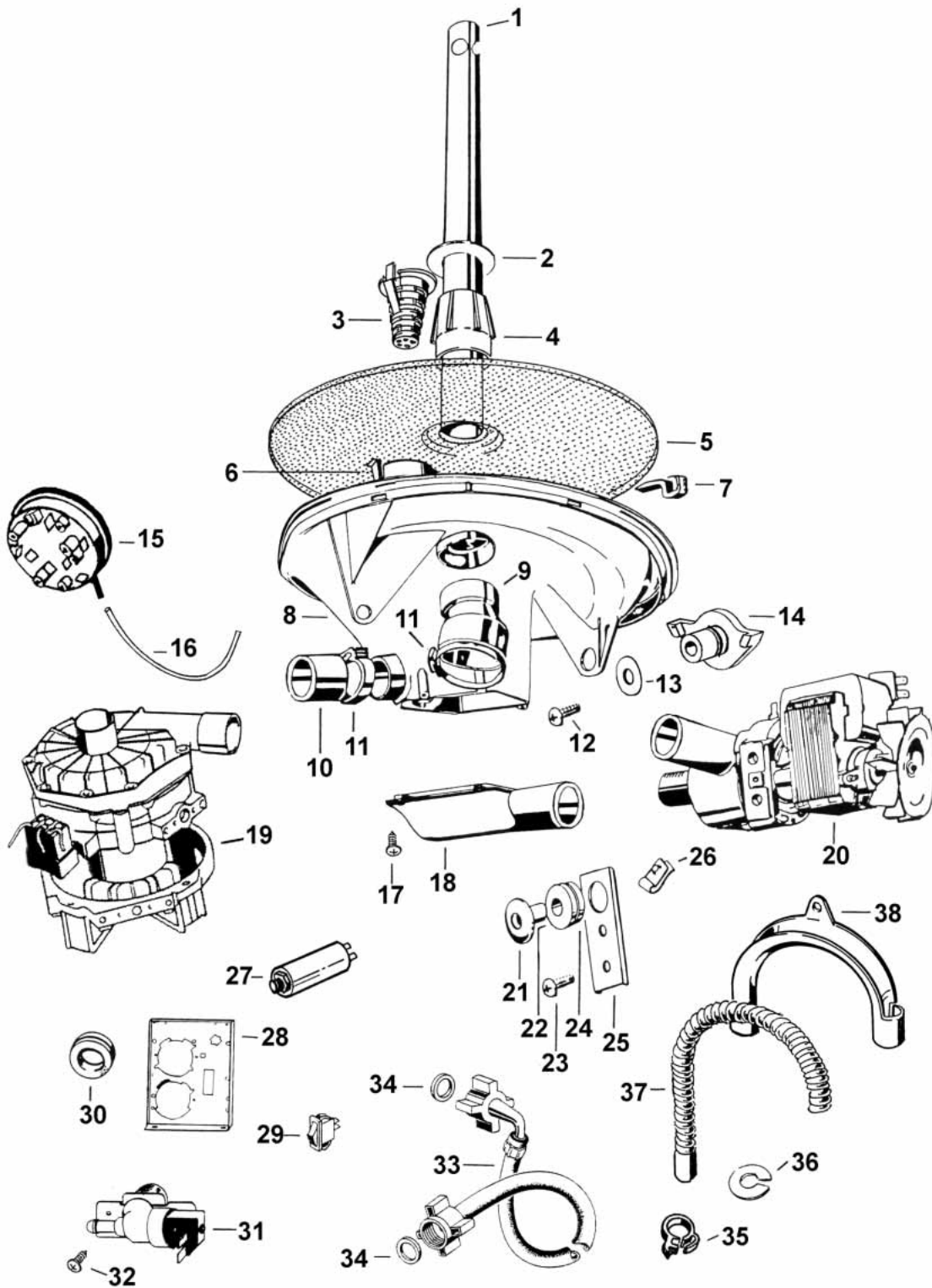
SUMP AND PUMPS



SUMP AND PUMPS

REF	PART	DESCRIPTION	MODEL
1	388906	COLUMN ASSY	
2	473131	WASHER TEFLON	
3	521185	STRAINER GREY	
4	388893	NUT COLUMN	
5	473880	PLATE FILTER PASSIVATED	
6	473349	FUNNEL STRAINER	
7	388898	WEDGE SUMP	
8	473138	KIT SUMP REPLACEMENT (SPARES)	
		<i>388343 SPACER MOUNTING</i>	
		<i>388889 COVER PRESSURE CHAMBER</i>	
		<i>388895 HOSE WASH PUMP OUTLET</i>	
		<i>388898 WEDGE SUMP</i>	
		<i>473197 GROMMET PUMP MTG</i>	
		<i>473641 CLAMP HOSE HERBIE TYPE S</i>	
		<i>473725 GASKET PRESSURE CHAMBER COVER</i>	
	*	<i>473788 BRACKET SPACER</i>	
		<i>473816 O RING SUMP</i>	
		<i>556005 SCREW ST 6X5/8 T25 PAN PH NP</i>	
9	388895	HOSE WASH PUMP OUTLET	
10	388891	HOSE WASH PUMP INLET	
11	473641	CLAMP HOSE HERBIE TYPE S	
12	NOT USED		
13	NOT USED		
14	NOT USED		
15	388928	SWITCH PRESSURE	
16	388930	TUBE PRESSURE SWITCH 730MM	
17	556005	SCREW ST 6X5/8 T25 PAN PH NP	
18	388889	COVER PRESSURE CHAMBER	
19	388900P	PUMP WASH HANNING	
		<i>388853P SEAL PUMP</i>	
		<i>473136 HOUSING WASH PUMP</i>	
		<i>473141 O RING PUMP HOUSING</i>	
		<i>473142 IMPELLOR</i>	
		<i>473145# BLOCK TERMINAL</i>	
		<i>502131 KIT CERAMIC & SEAT</i>	
		<i>819 BEARING</i>	
20	388344P	PUMP DRAIN HANNING	

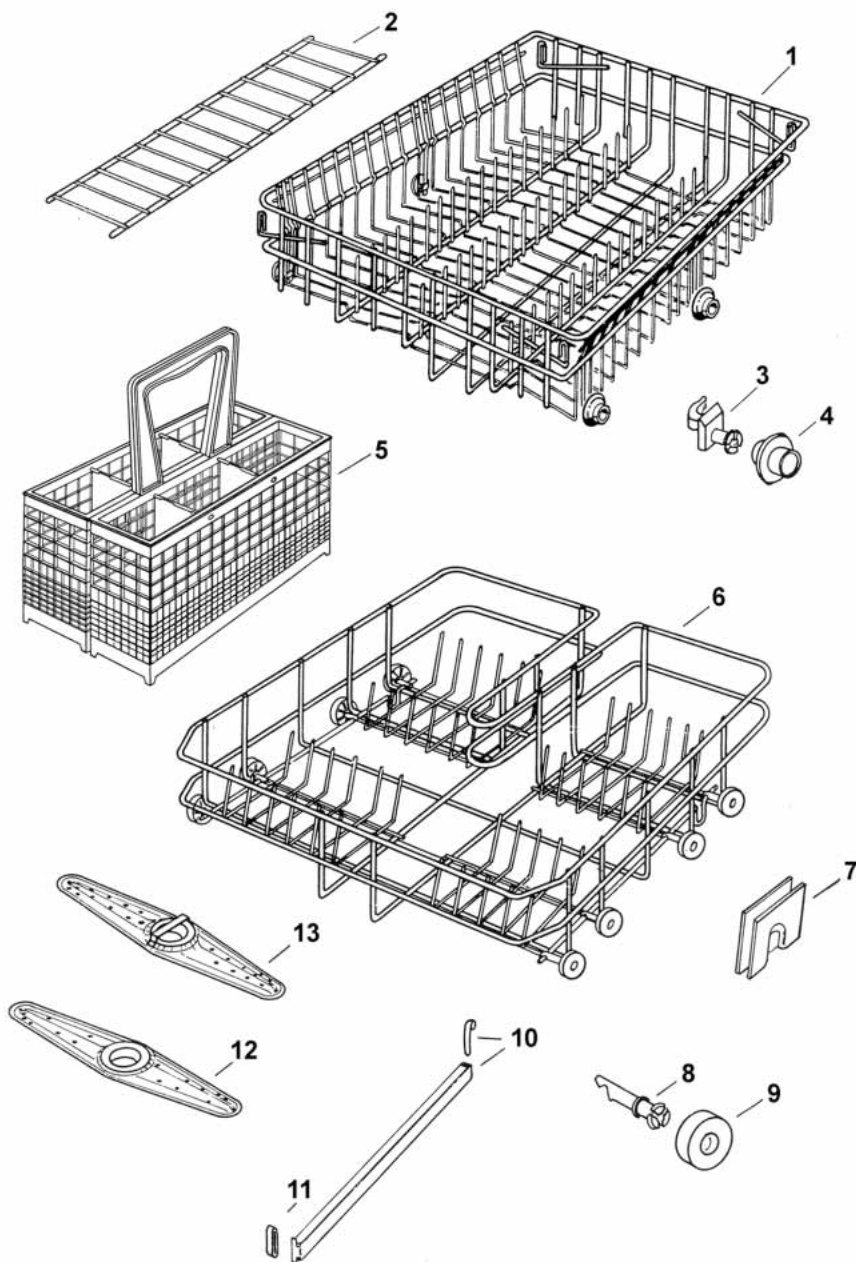
SUMP AND PUMPS



SUMP AND PUMPS

REF	PART	DESCRIPTION	MODEL
21	556507	WASHER 6.5 19.0 0.8 MS NIPL	
22	388343	SPACER MOUNTING	
23	556044	SCREW MC M6X12 PAN PH MS NIPL	
24	473197	GROMMET PUMP MTG	
25	388875	BRACKET PUMP	
26	556101	NUT CAPTIVE JRH CAT 670/28040	
27	* 460833	CAPACITOR 8MF M8 STUD	
28	388879#	BRACKET MOUNTING	
29	410085	SWITCH	
30	473109	GROMMET UNIVERSAL BRACKET	
31	521545	VALVE INLET 5L ELTEK 100500.13	
32	556055	SCREW MC M4X8 PAN PH MS NIPL	
33	521348	HOSE INLET ASSY WIRSBO HOT	
	521349	HOSE INLET ASSY WIRSBO COLD	
34	400704	CONNECTOR SEAL	
35	614505#	CLAMP CORBIN 28.575 MM ID	
36	473347	COLLAR DRAIN HOSE	
37	473345	HOSE DRAIN	
38	473352	SUPPORT DRAIN HOSE	
NI	473816	O RING SUMP	
NI	473130	O RING PRESSURE CHAMBER 64X2.0	
NI	473335#	LABEL DUAL SERVICE WARNING	
NI	473822	LABEL DUAL/SINGLE VALVE (3886)	

BASKETS AND SPRAY ARMS



BASKETS AND SPRAY ARMS

REF	PART	DESCRIPTION	MODEL
1	521175	BASKET ASSY TOP CROCK 3887 GY	
2	473568	RACK GLASS RETAINING WHITE	
3	473060	ROLLER STUD WHITE	
4	388243	ROLLER BASKET WHITE	
5	473812	BASKET CUTLERY	
6	473819	BASKET ASSY LWR COMP 3886(SP)	
		<i>388365 ROLLER LOWER BASKET</i>	
		<i>473147 BUFFER STOP WHITE</i>	
	*	<i>473820 BUSH WHEEL (NYLON CTD BASKET)</i>	
7	473147	BUFFER STOP WHITE	
8	* 473137	AXLE ROLLER LOWER BASKET WHITE	
9	388365	ROLLER LOWER BASKET	
10	521373A	RAIL & CLIPS ASSEMBLY	
		<i>521332 CAP RAIL TOP BASKET GREY</i>	
		<i>521373 RAIL TOP BASKET</i>	
11	473025	CAP RAIL SIERRA	
12	388886	BOTTOM SPRAY ARM ASSY	
13	388882	TOP SPRAY ARM ASSY	

NOTES

CABINET

Technical Bulletins

18	DW27
503894	DW30

SUMP AND PUMPS

Technical Bulletins

460833	DR14
473788	DW30

BASKETS AND SPRAY ARMS

Technical Bulletins

473137	DW33
473820	DW33