

Braun Silencio 1200 Vario

**PS 1200**

**4 547**

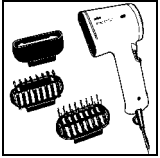
**Contents of Documentation**

Part	Page	Prepare date	Last Modification	Description
A	1	15/Oct/97	15/Oct/97	Contents of Documentation
A	2	15/Oct/97	15/Oct/97	Product Identification
A	3	15/Oct/97	15/Oct/97	Modification to Spare Parts List
A	4	01/Jan/85	15/Oct/97	Exploded Drawing
A	5	01/Jan/85	15/Oct/97	Spare Parts List
A	6	01/Jan/85	15/Oct/97	Empty page
B	1	01/Jan/85	15/Oct/97	Service Information
B	2	01/Jan/85	15/Oct/97	Service information
B	3	01/Jan/85	15/Oct/97	Wiring
B	4	01/Jan/85	15/Oct/97	Empty page

Impressum

Publisher: Braun AG  
Dept.: T-QCD  
Frankfurter Strasse 145  
D-61476 Kronberg im Taunus

Subject to change without notice  
Printed in Germany  
Copyright by Braun AG



# Service Documentation

## Part A



PC

4 547

Personal Care

Braun AG

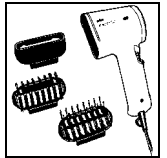
### Product Identification

Sales Article No.	Article Group	Country	Voltage Product	New Version Prepare Date	Product Name Short Description
4 547 700	4 547	MN	220 V	01/JAN/85	PS 1200



# Service Documentation

## Part A



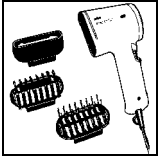
Braun AG

Personal Care

PC  
4 547

### Modification to Spare Parts List

Date	Pos.	Index	Remarks
			At this date no changes and index information



# Service Documentation

## Part A

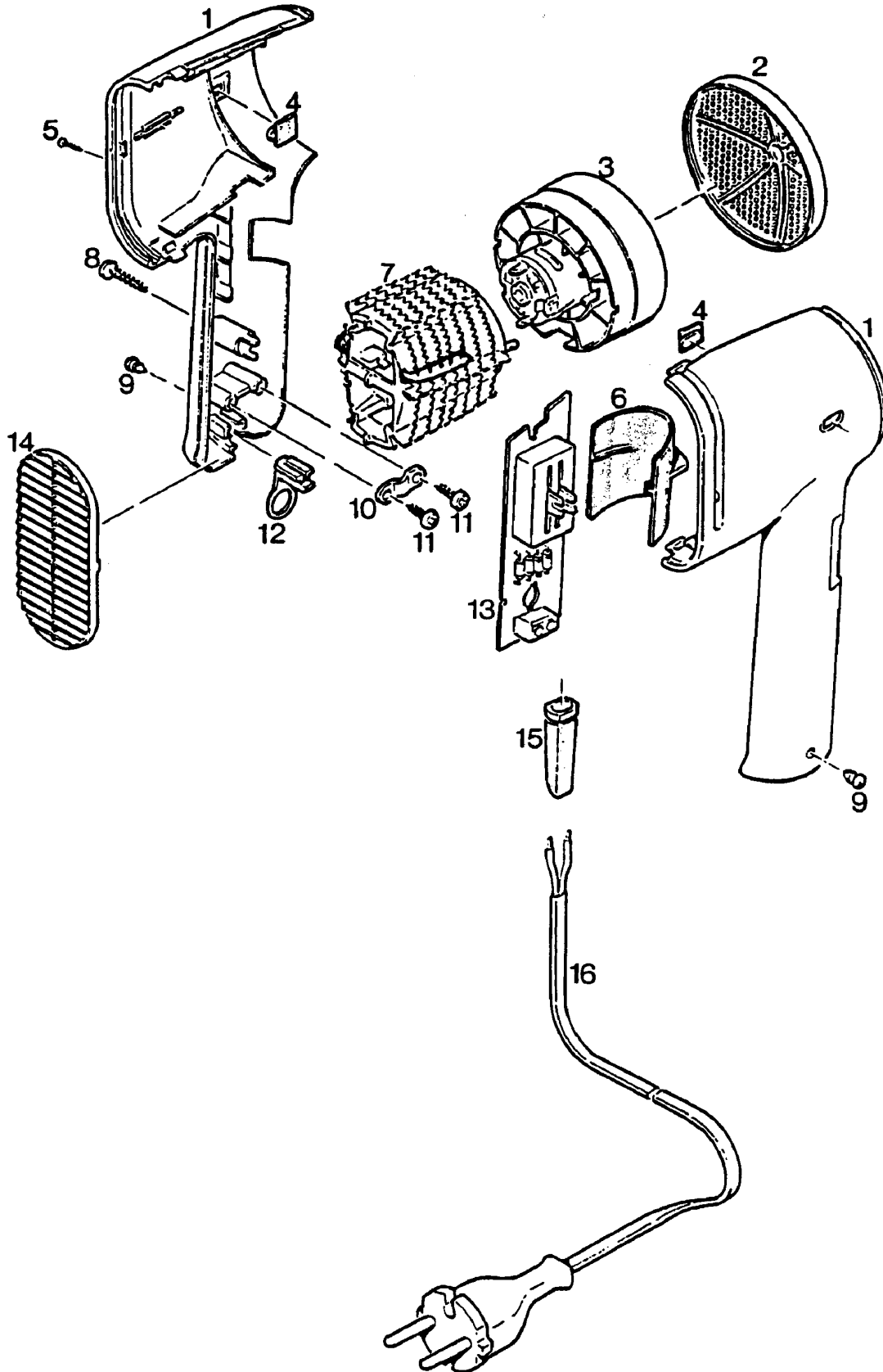


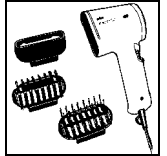
PC

4 547

Personal Care

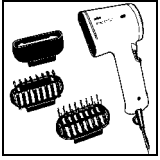
Braun AG





**Spare Parts List**

Pos.	Country	Article No.	Price Group	Index	Description	Remarks
1		4 547 621			Housing	
2		4 547 010			Air inlet grill	
3		4 547 851			Motor cpl.	
4		4 547 078			Rubber knob, oval	
5		5 550 016			Screw	for air outlet grill
6		4 516 002			Switching member	
7		4 547 861			Heating element	
8		0 031 072			Screw 2,9x16	
9		4 471 019			Rubber knob, round	
10		4 905 343			Cable clamp	
11		0 031 003			Screw 2,9x13	
12		4 471 015			Hanging hook eyelet	
13		4 547 850			Printed circuit board cpl.	
14		4 471 004			Air outlet grill	
15		4 532 055			Protective rubber sleeve	
16		4 830 801			Mains lead	
		0 855 130			Warning indication	label
		4 447 003			Printed circuit board	
		0 630 442			Diode 1 N 4004	
		4 473 023			Terminal block	
		0 144 141			Tubular rivet	
		0 716 270			Cable fastener	
		0 622 128			Capacitor	
		4 547 001			Switch	
		4 471 012			Nozzle	
		4 471 854			Brush	
		4 471 855			Studded bristle brush	
		4 547 852			Wall holder	
		4 547 074			Folding carton	
		4 447 042			Insert	
		4 547 002			Use instructions	



# Service Documentation

## Part A



PC

4 547

Personal Care

Braun AG

Empty page