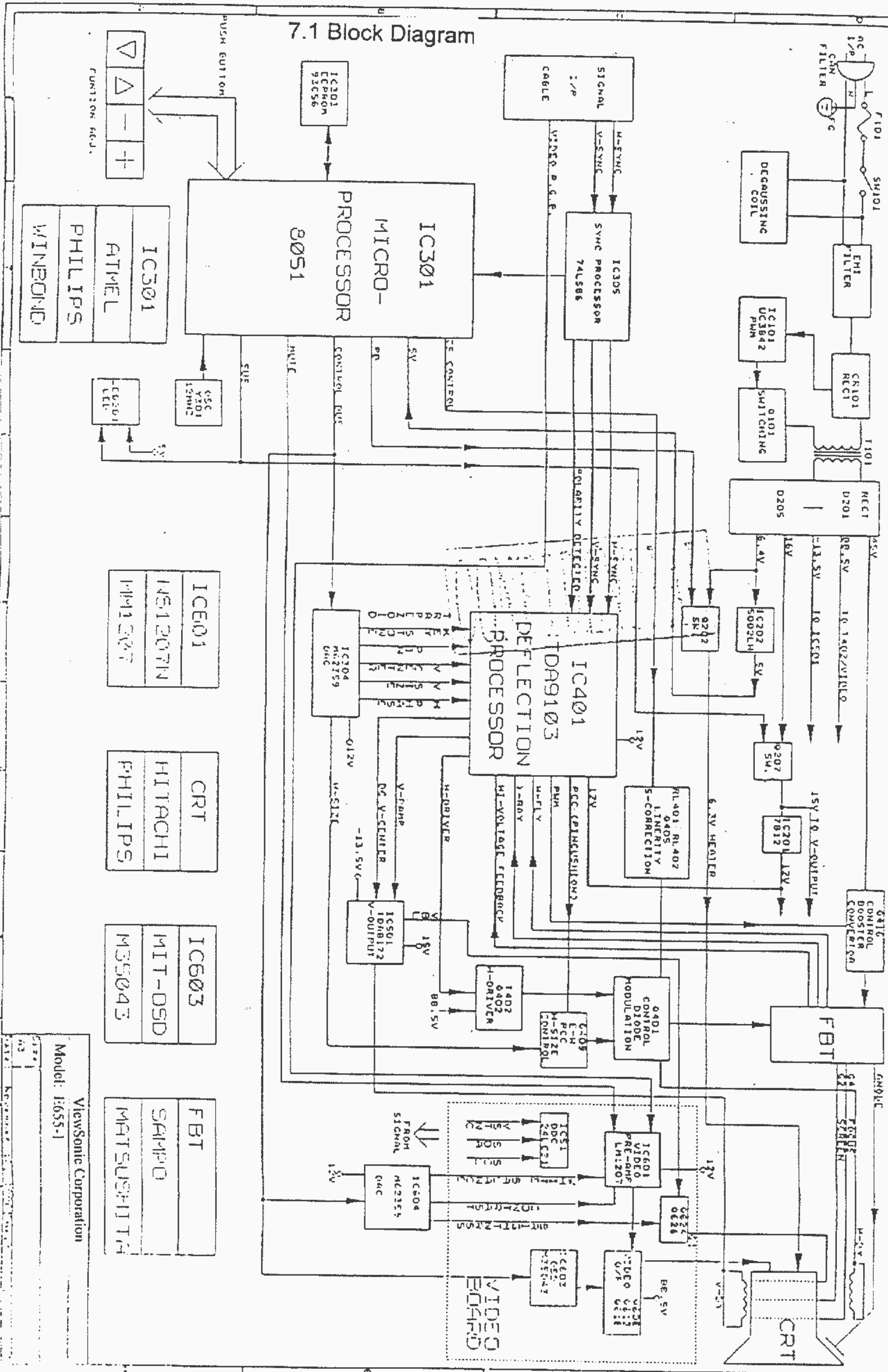


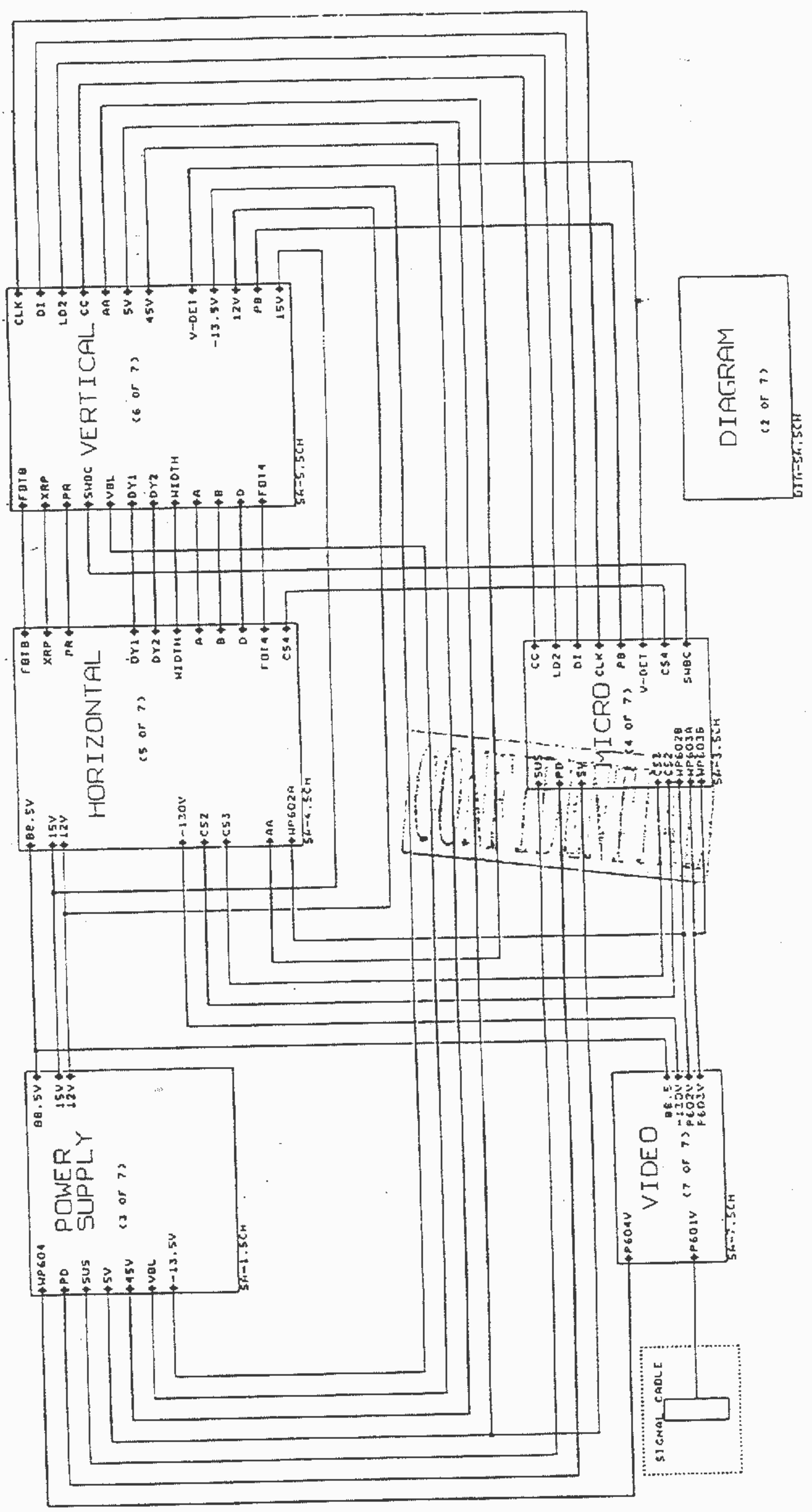
VIEWSONIC EG55 COLOR MONITOR BLOCK DIAGRAM



7.1 Block Diagram

Viewsonic Corporation  
Model: EG55-1

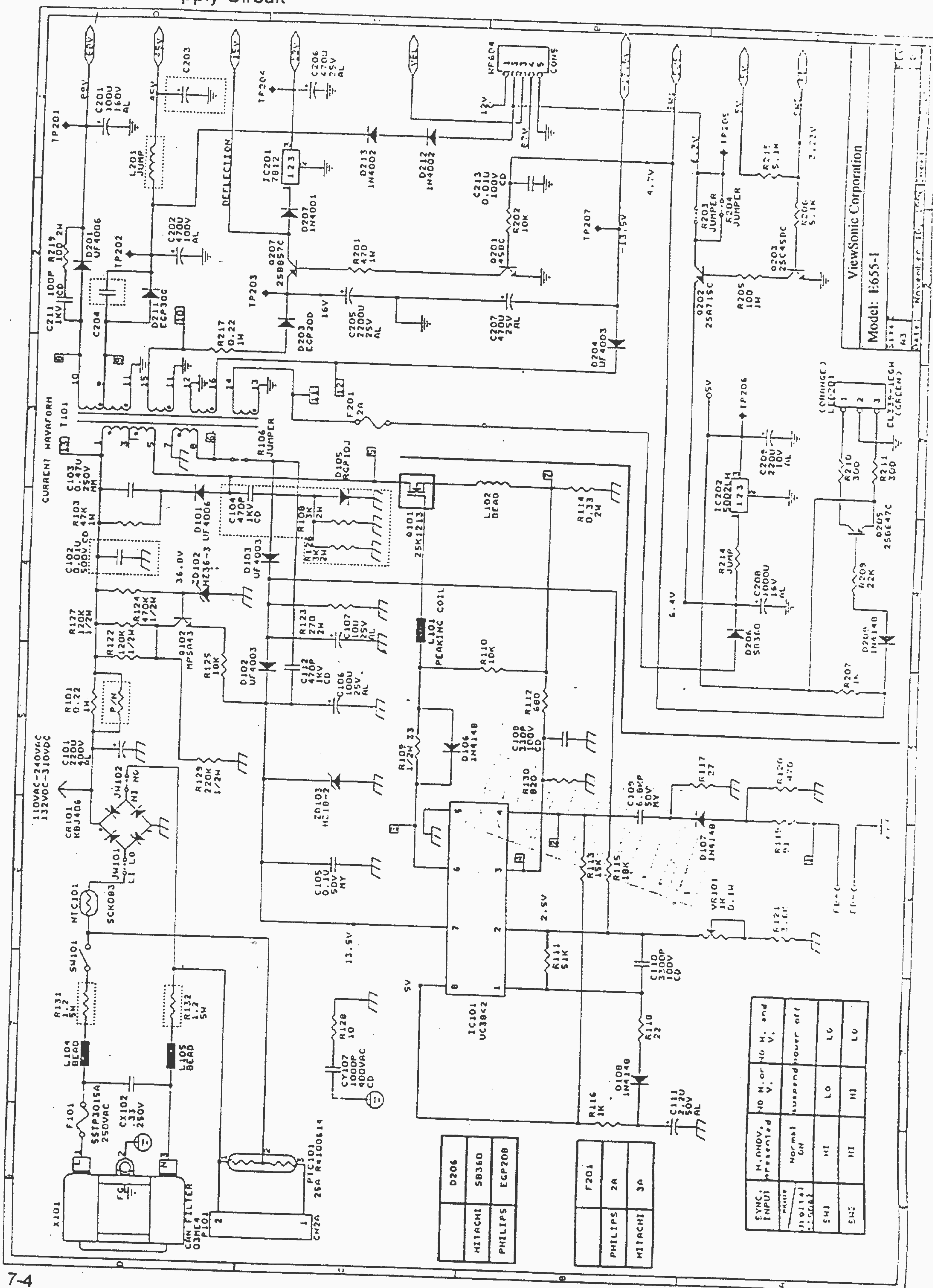
# VIEWSONIC E655



DRAWN BY	DATE 08/06/96	REV: 0
DESIGNED BY	DATE	CODE: 0
APPROVED BY	DATE	

ViewSonic Corporation  
Model: E655-1

# 7.2 Power Supply Circuit



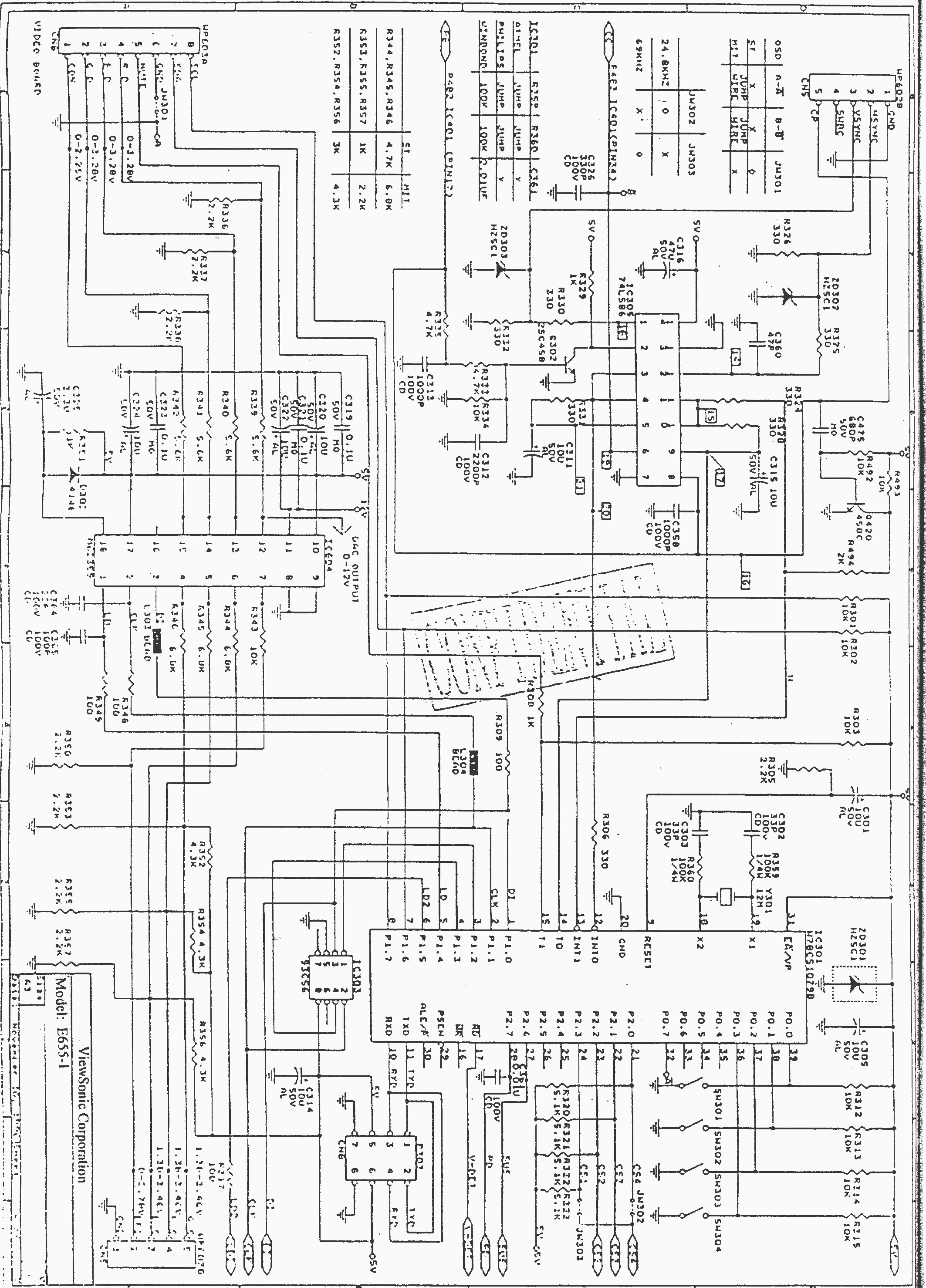
ViewSonic Corporation  
Model: E655-1

D206	
MITACHI	SB360
PHILIPS	EGP208

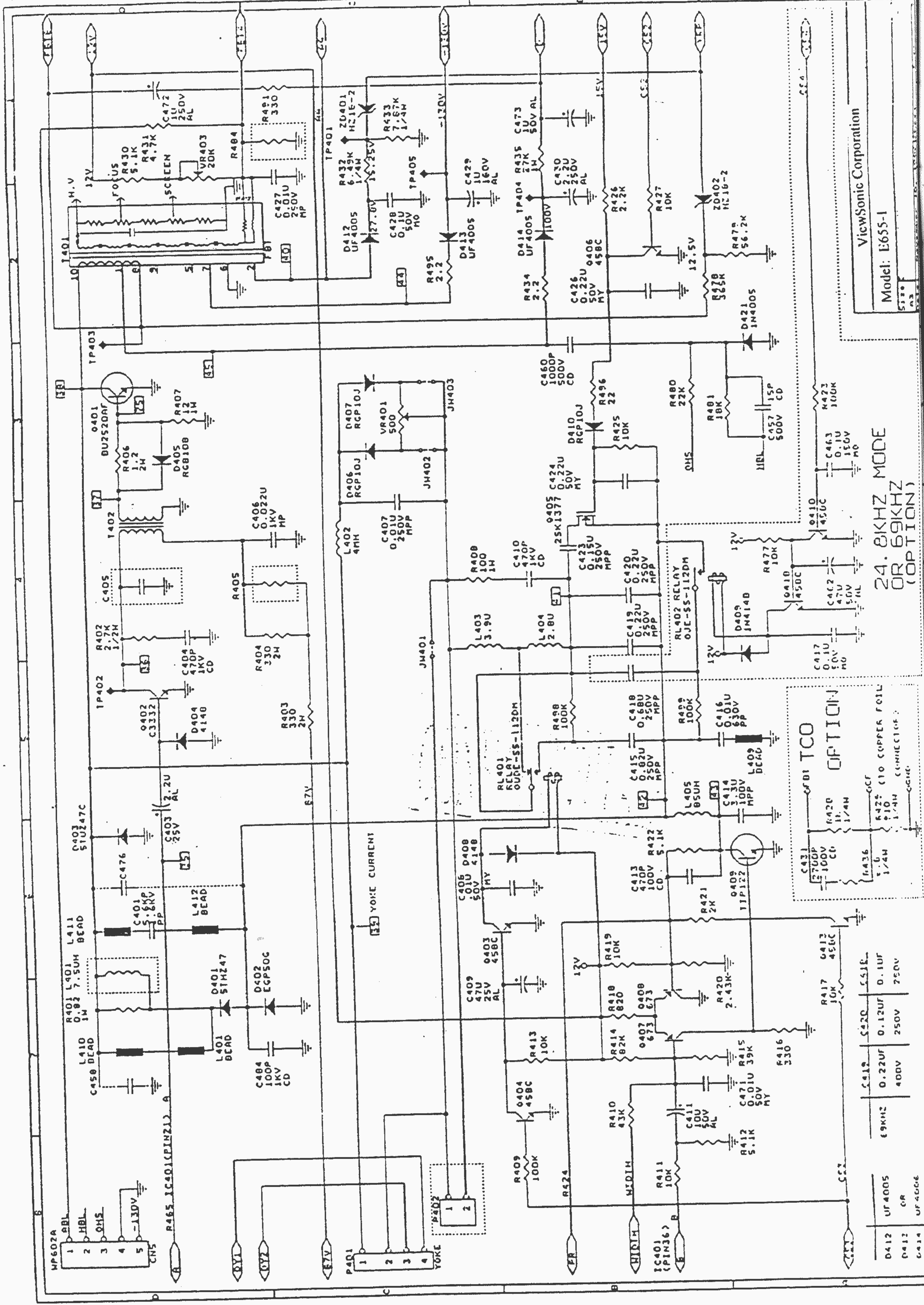
F201	
PHILIPS	2A
MITACHI	3A

SYNC. INPUT	H. AND V. presented	NO H. or V. and suspend	NO H. and suspend
DIGITAL SIGNAL	Normal ON	suspend	power off
SW1	HI	LO	LU
SW2	HI	HI	LU

# 7.3 Micro-Controller Circuit



# 7.5 Vertical Deflection Circuit



ViewSonic Corporation  
Model: E655-1

24.8KHZ MODE  
OR 69KHZ  
(OPTION)

OPTION  
OFBI TCO  
C420 0.12UF 250V  
C421 0.22UF 400V  
C422 0.1UF 250V  
C423 0.1UF 150V  
C424 0.1UF 50V  
C425 0.1UF 50V  
C426 0.1UF 50V  
C427 0.1UF 50V  
C428 0.1UF 50V  
C429 0.1UF 50V  
C430 0.1UF 50V  
C431 0.1UF 50V  
C432 0.1UF 50V  
C433 0.1UF 50V  
C434 0.1UF 50V  
C435 0.1UF 50V  
C436 0.1UF 50V  
C437 0.1UF 50V  
C438 0.1UF 50V  
C439 0.1UF 50V  
C440 0.1UF 50V  
C441 0.1UF 50V  
C442 0.1UF 50V  
C443 0.1UF 50V  
C444 0.1UF 50V  
C445 0.1UF 50V  
C446 0.1UF 50V  
C447 0.1UF 50V  
C448 0.1UF 50V  
C449 0.1UF 50V  
C450 0.1UF 50V  
C451 0.1UF 50V  
C452 0.1UF 50V  
C453 0.1UF 50V  
C454 0.1UF 50V  
C455 0.1UF 50V  
C456 0.1UF 50V  
C457 0.1UF 50V  
C458 0.1UF 50V  
C459 0.1UF 50V  
C460 0.1UF 50V  
C461 0.1UF 50V  
C462 0.1UF 50V  
C463 0.1UF 50V  
C464 0.1UF 50V  
C465 0.1UF 50V  
C466 0.1UF 50V  
C467 0.1UF 50V  
C468 0.1UF 50V  
C469 0.1UF 50V  
C470 0.1UF 50V  
C471 0.1UF 50V  
C472 0.1UF 50V

OPTION  
OFBI TCO  
C420 0.12UF 250V  
C421 0.22UF 400V  
C422 0.1UF 250V  
C423 0.1UF 150V  
C424 0.1UF 50V  
C425 0.1UF 50V  
C426 0.1UF 50V  
C427 0.1UF 50V  
C428 0.1UF 50V  
C429 0.1UF 50V  
C430 0.1UF 50V  
C431 0.1UF 50V  
C432 0.1UF 50V  
C433 0.1UF 50V  
C434 0.1UF 50V  
C435 0.1UF 50V  
C436 0.1UF 50V  
C437 0.1UF 50V  
C438 0.1UF 50V  
C439 0.1UF 50V  
C440 0.1UF 50V  
C441 0.1UF 50V  
C442 0.1UF 50V  
C443 0.1UF 50V  
C444 0.1UF 50V  
C445 0.1UF 50V  
C446 0.1UF 50V  
C447 0.1UF 50V  
C448 0.1UF 50V  
C449 0.1UF 50V  
C450 0.1UF 50V  
C451 0.1UF 50V  
C452 0.1UF 50V  
C453 0.1UF 50V  
C454 0.1UF 50V  
C455 0.1UF 50V  
C456 0.1UF 50V  
C457 0.1UF 50V  
C458 0.1UF 50V  
C459 0.1UF 50V  
C460 0.1UF 50V  
C461 0.1UF 50V  
C462 0.1UF 50V  
C463 0.1UF 50V  
C464 0.1UF 50V  
C465 0.1UF 50V  
C466 0.1UF 50V  
C467 0.1UF 50V  
C468 0.1UF 50V  
C469 0.1UF 50V  
C470 0.1UF 50V  
C471 0.1UF 50V  
C472 0.1UF 50V

# 7.6 Video Circuit

