

SPRAGUE PRINTED CIRCUIT REPLACEMENT MANUAL

(SECOND EDITION)

⇩ YOUR SPRAGUE DISTRIBUTOR ⇩

SPRAGUE PRODUCTS COMPANY • NORTH ADAMS, MASS.

(Distributors' Division of the Sprague Electric Co.)



PRINTED CIRCUIT REPLACEMENT MANUAL

This manual contains a complete listing of printed circuits for use in radio and TV sets manufactured from January, 1950 through July, 1958. Each make is listed alphabetically, with Sprague replacement printed circuits cross-referenced to the original part numbers.

Beginning on page 13 we have included a tabulation of all Sprague items shown in the replacement section of the manual. For your convenience, this tabulation gives the schematics, ratings, and list price of each unit.

Copyright 1958, Sprague Products Company, North Adams, Mass.

SPRAGUE PRINTED CIRCUIT REPLACEMENT MANUAL

Original Part No.	Description	Sprague Replacement	List Price	Original Part No.	Description	Sprague Replacement	List Price
A.M.I.				AIRCASTLE (Cont.)			
—	Diode Filter ¹	D-3	.60	A-1376-6F	Triode Coupling	T-1	.75
¹ Used in Model PBA (Mark 1)				MC-7	Multiple Capacitor	34C4	.90
ADMIRAL				—	Vertical Integrator ¹	V-1/V-3	1.10
63A3-1	Diode Filter	D-1	.60	—	Triode Coupling ²	T-4	.70
63A4-1	Pentode Coupling	P-1	.90	—	Detector Triode ³	DT-2	1.15
63A4-2	Pentode Coupling	P-2	.90	¹ Used in model 472-053VM			
63A4-3	Pentode Coupling	P-2	.90	² Used in models 607-316, 607-317			
63A4-4	Pentode Coupling	P-3	1.00	³ Used in model 610 series			
63A5-1	Triode Coupling	T-1	.75	AIR KING			
63A5-2	Triode Coupling	T-3	.70	PB-20150	Vertical Integrator	V-1/V-3	1.10
63A5-4	Triode Coupling	T-3	.70	PB-20152	Detector Triode	DT-1	1.00
63A5-6	Triode Coupling	T-2	.75	AIRLINE			
63A6-1	Vertical Integrator	V-2	1.25	13P-198	Antenna Chassis Isolation	ACI-1	.25
63A11-A1	Antenna Chassis Isolation	ACI-1	.25	17A-21742	Triode Coupling	T-3	.70
63B6-2	Vertical Integrator	V-1/V-3	1.10	17A-22376	Vertical Integrator	V-1/V-3	1.10
63B6-3	Triode Coupling	T-7	1.00	17A-27087	Vertical Integrator	V-1/V-3	1.10
63B6-4	Sync Takeoff	ST-11	.75	23E-2023-4	Vertical Integrator	V-1/V-3	1.10
63B6-5	Triode Coupling	T-5	.75	23E-2041-2	Triode Coupling	T-2	.75
63B6-6	Detector Pentode Coupling	DP-1	1.25	23E-2041-8	Triode Coupling	T-2	.75
63B6-7	Detector Triode	DT-2	1.15	38X115	Triode Coupling	T-3	.70
63B6-8	Sync Takeoff	ST-13	.75	38X126	Diode Filter	D-3	.60
63B6-9	Vertical Integrator	V-1/V-3	1.10	38X128	Diode Filter	D-1	.60
63B6-10	Detector Triode	DT-11	.75	47X408	Triode Coupling	T-1	.75
63B6-12	Retrace Suppression	RS-3	.90	76X1	Diode Filter	D-3	.60
63B6-14	Detector Triode	DT-5	1.15	76X5	Triode Coupling	T-1	.75
63B10-1	Antenna Chassis Isolation	ACI-1	.25	76X7	Vertical Integrator	V-1/V-3	1.10
63B10-3	Antenna Chassis Isolation	ACI-4	.35	76X11	Antenna Chassis Isolation	ACI-1	.25
63C6-2	Vertical Integrator	V-1/V-3	1.10	201-14397	Multiple Capacitor	34C3	.75
63C6-4	Sync Takeoff	ST-11	.75	201-15005	Diode Filter	D-1	.60
63C6-5	Pentode Coupling	P-2	.90	201-19303	Detector Triode	DT-2	1.15
63C6-7	Detector Triode	DT-2	1.15	219V004M02	Parallel Resistor Capacitor	PRC-2	.25
63C6-8	Sync Takeoff	ST-13	.75	811	Diode Filter	D-1	.60
63C6-9	Vertical Integrator	V-1/V-3	1.10	827	Detector Triode	DT-2	1.15
63C6-10	Detector Triode	DT-11	.75	A157812-1-2	Vertical Integrator	V-5	1.00
63C6-11	Vertical Integrator	V-4	1.10	A157813-1-3	Sync Takeoff	ST-2	1.25
63C6-12	Retrace Suppression	RS-3	.90	A-8F-13127	Diode Filter	D-1	.60
63C6-14	Detector Triode	DT-5	1.15	E-3015	Detector Triode	DT-5	1.15
63C6-15	Tone Compensation	TC-11	1.25	E-3325	Detector Pentode Coupling	DP-1	1.25
63C9-1	Vertical Integrator	V-1/V-3	1.10	MC-18	Detector Pentode Coupling	DP-1	1.25
63C9-3	Sync Takeoff	ST-13	.75	MW23E2041-6	Detector Triode	DT-2	1.15
63C9-7	Vertical Integrator	V-1/V-3	1.10	MW23E4000-29	Detector Triode	DT-2	1.15
65C6-5	Pentode Coupling	P-2	.90	N8042	Vertical Integrator	V-1/V-3	1.10
AIRCASTLE				N8215	Triode Coupling	T-4	.70
65A-407	Triode Coupling	T-1	.75	R1236	Detector Triode	DT-2	1.15
65A-443	Vertical Integrator	V-1/V-3	1.10	R1458	Vertical Integrator	V-5	1.00
166-107	Diode Filter	D-1	.60	R1459	Sync Takeoff	ST-1	1.25
811	Diode Filter	D-1	.60	R1487	Detector Triode	DT-1	1.00
A-1375-6F	Vertical Integrator	V-1/V-3	1.10				

SPRAGUE PRINTED CIRCUIT

Original Part No.	Description	Sprague Replacement	List Price	Original Part No.	Description	Sprague Replacement	List Price
ALL-STATE				ARVIN (Cont.)			
A17-111	Detector Triode	DT-2	1.15	24166	Vertical Integrator	V-1/V-3	1.10
AMBASSADOR				25264	Triode Coupling	T-3	.75
33-100	Vertical Integrator	V-1/V-3	1.10	25430	Diode Filter	D-1	.60
33-102	Triode Coupling	T-1	.75	41632	Detector Pentode Coupling	DP-1	1.25
33-103	Sync Takeoff	ST-1	1.25	41696	Detector Triode	DT-1	1.00
49A046	Sync Takeoff	ST-3	1.25	43743-1	Detector Triode	DT-4	1.00
AMC (Aimcee)				43743-2	Detector Triode	DT-5	1.15
33-100	Vertical Integrator	V-1/V-3	1.10	43743-5	Detector Pentode Coupling	DP-1	1.25
33-102	Triode Coupling	T-1	.75	A22257	Pentode Coupling	P-1	.90
33-103	Sync Takeoff	ST-1	1.25	A22902	Diode Filter	D-3	.60
AMERICAN TELEVISION, INC.				A24084	Triode Coupling	T-1	.75
5-124	Vertical Integrator	V-1/V-3	1.10	A24103	Diode Filter	D-2	.60
—	Triode Coupling ¹	T-1	.75	A25257	Vertical Integrator	V-18	1.00
—	Vertical Integrator ¹	V-4	1.10	A25264	Triode Coupling	T-3	.70
—	Detector Triode ¹	DT-1	1.00	A25430	Diode Filter	D-1	.60
¹ Used in models 9081A, F55, G55, F56				A25873	Triode Coupling	T-3	.70
AMPRO				A40942	Detector Pentode Coupling	DP-1	1.25
181121	Diode Filter	D-1	.60	A41696	Detector Triode	DT-1	1.00
ANDREA				A43343	Detector Triode	DT-2	1.15
FM-5289	Vertical Integrator	V-1/V-3	1.10	C24166	Vertical Integrator	V-1/V-3	1.10
—	Diode Filter ¹	D-1	.60	C43097	Detector Triode	DT-4	1.00
¹ Used in model CRP-24W				D43743-1	Detector Triode	DT-4	1.00
ANSLEY				D43743-2	Detector Triode	DT-5	1.15
RT-100	Vertical Integrator	V-1/V-3	1.10	AUTOMATIC			
YA401-001A	Triode Coupling	T-2	.75	89-151	Detector Triode	DT-2	1.15
APEX				—	Pentode Coupling	P-1	.90
—	Vertical Integrator ¹	V-1/V-3	1.10	BAGPIPER			
¹ Used in models 817, 920, 924, 9120, 9121, 9820, 9821				UB-3	Detector Pentode Coupling	DP-1	1.25
ARTHUR ANSLEY				BENDIX			
—	Triode Coupling ¹	T-1	.75	274103	Triode Coupling	T-4	.70
¹ Used in model TP-1				274249	Triode Coupling	T-4	.70
ARTONE				274310	Vertical Integrator	V-1/V-3	1.10
CRP-3	Vertical Integrator	V-1/V-3	1.10	BENRUS			
ARVIN				23E2041-7	Triode Coupling	T-2	.75
22902	Diode Filter	D-3	.60	BOGEN			
24084	Triode Coupling	T-1	.75	C-325	Diode Filter	D-1	.60
24103	Diode Filter	D-2	.60	C-392	Tone Compensation	TC-1	1.25
ARVIN (Cont.)				C-419	Tone Compensation	TC-12	.75
24166	Vertical Integrator	V-1/V-3	1.10	C-420	Tone Compensation	TC-7	1.10
25264	Triode Coupling	T-3	.75	C-421A	Tone Compensation	TC-8	.75
25430	Diode Filter	D-1	.60	C-422	Triode Coupling	T-3	.70
41632	Detector Pentode Coupling	DP-1	1.25	C-423	Tone Compensation	TC-9	1.00
41696	Detector Triode	DT-1	1.00	—	Detector Triode ¹	DT-1	1.00
43743-1	Detector Triode	DT-4	1.00	¹ Used in model RR29, W			
43743-2	Detector Triode	DT-5	1.15				
43743-5	Detector Pentode Coupling	DP-1	1.25				
A22257	Pentode Coupling	P-1	.90				
A22902	Diode Filter	D-3	.60				
A24084	Triode Coupling	T-1	.75				
A24103	Diode Filter	D-2	.60				
A25257	Vertical Integrator	V-18	1.00				
A25264	Triode Coupling	T-3	.70				
A25430	Diode Filter	D-1	.60				
A25873	Triode Coupling	T-3	.70				
A40942	Detector Pentode Coupling	DP-1	1.25				
A41696	Detector Triode	DT-1	1.00				
A43343	Detector Triode	DT-2	1.15				
C24166	Vertical Integrator	V-1/V-3	1.10				
C43097	Detector Triode	DT-4	1.00				
D43743-1	Detector Triode	DT-4	1.00				
D43743-2	Detector Triode	DT-5	1.15				

REPLACEMENT MANUAL

Original Part No.	Description	Sprague Replacement	List Price	Original Part No.	Description	Sprague Replacement	List Price
BROWNING				CONRAC			
—	Diode Filter	D-1	.60	—	Detector Triode	DT-1	1.00
—				—	Vertical Integrator	V-2	1.25
BULOVA				CORONADO			
200-16-2	Detector Pentode Coupling	DP-1	1.25	049-100046	Sync Takeoff	ST-3	1.25
—	Diode Filter	D-2	.60	049-100072	Antenna Chassis Isolation	ACI-1	.25
—	Detector Pentode Coupling	DP-2	1.00	17-103	Multiple Capacitor	34C4	.90
—	Detector Triode	DT-5	1.15	17A21742	Triode Coupling	T-3	.70
CAL-TECH				17A22376	Vertical Integrator	V-1/V-3	1.10
—	Vertical Integrator	V-1/V-3	1.10	17A24212	Sync Takeoff	ST-3	1.25
—	Triode Coupling	T-3	.70	17A27087	Vertical Integrator	V-1/V-3	1.10
CAPEHART				49A046	Sync Takeoff	ST-3	1.25
451700A-1	Diode Filter	D-1	.60	76X1	Diode Filter	D-3	.60
451701A-1	Pentode Coupling	P-2	.90	76X5	Triode Coupling	T-1	.75
452171A-1	Diode Filter	D-1	.60	76X7	Vertical Integrator	V-1/V-3	1.10
452244A-1	Detector Triode	DT-1	1.00	76X11	Antenna Chassis Isolation	ACI-1	.25
452265A-1	Vertical Integrator	V-1/V-3	1.10	106-109	Triode Coupling	T-4	.70
452268A-1	Sound I.F.	SI-1	.90	166-107	Diode Filter	D-1	.60
452615A-1	Pentode Coupling	P-1	.90	166-109	Triode Coupling	T-4	.70
452615A-2	Pentode Coupling	P-1	.90	201-14397	Multiple Capacitor	34C3	.75
453214A-1	Vertical Integrator	V-1/V-3	1.10	201-15005	Diode Filter	D-1	.60
453566A-1	Detector Pentode Coupling	DP-1	1.25	24084	Triode Coupling	T-1	.75
453920A-1	Vertical Integrator	V-5	1.00	25264	Triode Coupling	T-3	.70
650596C-1	Vertical Integrator	V-1/V-3	1.10	505858	Triode Coupling	T-3	.70
CAVALIER				508062	Vertical Integrator ¹	V-1/V-3	1.10
166-102	Detector Pentode Coupling	DP-1	1.25	521303	Detector Pentode Coupling	DP-1	1.25
166-107	Diode Filter	D-1	.60	522907	Diode Filter	D-3	.60
166-109	Triode Coupling	T-4	.70	CR-1	Diode Filter	D-1	.60
166-110	Pentode Coupling	P-2	.90	CRP-3	Vertical Integrator	V-1/V-3	1.10
CBS COLUMBIA				CRP-5	Detector Triode	DT-1	1.00
82000041	Triode Coupling	T-1	.75	R1487	Detector Triode	DT-1	1.00
82000043	Detector Triode	DT-1	1.00	RC6-70000	Antenna Chassis Isolation	ACI-1	.25
82000121	Vertical Integrator	V-1/V-3	1.10	¹ Install 5HK-S1 in series with input lead			
82000151	Detector Triode	DT-3	1.00	CROSLEY			
PB20150	Vertical Integrator	V-1/V-3	1.10	15938-1-1	Sync Takeoff	ST-3	1.25
PB20178-1	Triode Coupling	T-1	.75	142951-2	Diode Filter	D-1	.60
COLUMBIA RECORDS				151550-1	Detector Triode	DT-1	1.00
5C303	Diode Filter	D-2	.60	151550-3	Pentode Coupling	P-2	.90
—	Diode Filter	D-1	.60	157812-1	Vertical Integrator	V-5	1.00
				157813-1	Sync Takeoff	ST-1	1.25
				157813-1-3	Sync Takeoff	ST-2	1.25
				158110-2	Detector Triode	DT-5	1.15
				158110-3	Detector Triode	DT-1	1.00
				159383-1	Sync Takeoff	ST-3	1.25
				170203-1	Vertical Integrator	V-5	1.00
				A-15813	Sync Takeoff	ST-1	1.25
				A-157812-1-2-3	Vertical Integrator	V-5	1.00

SPRAGUE PRINTED CIRCUIT

Original Part No.	Description	Sprague Replacement	List Price	Original Part No.	Description	Sprague Replacement	List Price
CROSLEY (Cont.)				ESPEY			
A-157813-1-3	Sync Takeoff	ST-2	1.25	25-928	Diode Filter	D-1	.60
A-170203-1-2	Vertical Integrator	V-1/V-3	1.10	ESQUIRE			
C142951-2	Diode Filter	D-1	.60	200-16-2	Detector Pentode Coupling	DP-1	1.25
C144675-1	Multiple Capacitor	34C3	.75	200-16-2B	Detector Pentode Coupling	DP-2	1.00
C144675-10	Multiple Capacitor	34C4	.90	E3015	Detector Triode	DT-1	1.00
C144675-18	Multiple Capacitor	34C19	.75	E3016	Diode Filter	D-1	.60
C151550-1-3	Detector Triode	DT-1	1.00	E3019	Pentode Coupling	P-2	.90
C151550-3	Pentode Coupling	P-2	.90	E3320	Diode Filter	D-2	.60
C158110-2-5	Detector Triode	DT-5	1.15	E3325	Detector Pentode Coupling	DP-1	1.25
C158110-3-5	Detector Triode	DT-4	1.00	FADA			
W149878	Vertical Integrator	V-1/V-3	1.10	17.77	Diode Filter	D-1	.60
W149881	Triode Coupling	T-2	.75	167.1	Vertical Integrator	V-1/V-3	1.10
CROYDON				167.2	Detector Triode	DT-1	1.00
2285Q	Triode Coupling	T-2	.75	FEDERAL TELEPHONE and RADIO			
DEWALD				A-1900725-1A	Diode Filter	D-1	.60
C-209	Diode Filter	D-1	.60	FIRESTONE			
2066-1	Triode Coupling	T-3	.70	17A-22376	Vertical Integrator	V-1/V-3	1.10
2067-1	Pentode Coupling	P-2	.90	17A-24212	Sync Takeoff	ST-3	1.25
2069	Detector Triode	DT-1	1.00	17A-27087	Vertical Integrator	V-1/V-3	1.10
2069-2	Detector Triode	DT-2	1.15	76X1	Diode Filter	D-1	.60
6068	Vertical Integrator	V-2	1.25	76X5	Triode Coupling	T-1	.75
—	Vertical Integrator	V-5	1.00	76X7	Vertical Integrator	V-1/V-3	1.10
—	Sync Takeoff	ST-1	1.25	76X11	Antenna Chassis Isolation	ACI-1	.25
DOUGLAS				811	Diode Filter	D-1	.60
9513	Vertical Integrator	V-1/V-3	1.10	827	Detector Triode	DT-2	1.15
DUMONT				25430	Diode Filter	D-1	.60
88000631	Vertical Integrator	V-1/V-3	1.10	41696	Detector Triode	DT-1	1.00
88000922	Detector Triode	DT-5	1.15	43743-1	Detector Triode	DT-4	1.00
88000981	Vertical Integrator	V-5	1.00	43743-2	Detector Triode	DT-2	1.15
88001401	Pentode Coupling	P-2	.90	505858	Triode Coupling	T-3	.70
88001481	Vertical Integrator	V-15	.35	508062	Vertical Integrator	V-1/V-3	1.10
88001482	Vertical Integrator	V-14	.35	N8215	Triode Coupling	T-4	.70
88001751	Diode Filter	D-1	.60	N8330	Pentode Coupling	P-2	.90
88001791	Detector Triode	DT-6	1.15	PD-20150	Vertical Integrator	V-1/V-3	1.10
88001981	Vertical Integrator	V-5	1.00	R1119	Detector Pentode Coupling	DP-1	1.25
DYNAVOX				R1487	Detector Triode	DT-5	1.15
—	Detector Triode	DT-1	1.00	RC6-70000	Antenna Chassis Isolation	ACI-1	.25
EMERSON				FLEETWOOD			
470250	Triode Coupling	T-1	.75	—	Vertical Integrator	V-2	1.25
470310	Multiple Capacitor	34C3	.75				
923023	Multiple Capacitor	34C3	.75				
923024	Detector Triode	DT-1	1.00				
923026	Vertical Integrator	V-1/V-3	1.10				
923027	Pentode Coupling	P-2	.90				
923028	Detector Triode	DT-3	1.00				
928034	Multiple Capacitor	34C8	.90				
960739	Vertical Integrator	V-2	1.25				
—	Antenna Chassis Isolation	ACI-1	.25				

REPLACEMENT MANUAL

Original Part No.	Description	Sprague Replacement	List Price	Original Part No.	Description	Sprague Replacement	List Price
FREED				GENERAL ELECTRIC (Cont.)			
CC-A23	Vertical Integrator	V-2	1.25	K138J45 (REK-004)	Vertical Integrator	V-13	.80
GENERAL ELECTRIC				K138J78 (REK-005)		V-17	.75
1155456-1	Tone Compensation	TC-4	1.00	K146J90-1	Detector Triode	DT-9	.70
7486924-1	Vertical Integrator	V-2	1.25	K146J90-2	Detector Triode	DT-9	.70
K67J836-1 (RCW-3013)	Multiple Capacitor	34C3	.75	RCW-3207	Detector Triode	DT-1	1.00
K68J128 (RCW-3015)		34C2	.90	Install 5 GA-D5 in parallel with leads 4 and 5.			
K71J670 (RCW-3048)	Multiple Capacitor	34C3	.75	G. & M. EQUIPMENT			
K71J736 (RCW-3036)		34C18	.75	—	Detector Triode	DT-2	1.15
K71J780-1 (REK-001)	Vertical Integrator	V-1/V-3	1.10	GOODRICH			
K82J458 (REK-003)	Vertical Integrator	V-16	.75	21B482847	Detector Triode	DT-1	1.00
K82J461 (REK-002)	Triode Coupling	T-2	.75	GOTHAM			
K115J322	Detector Triode	DT-8	.95	—	Vertical Integrator	V-1/V-3	1.10
K115J421 (REK-010)	Detector Pentode Coupling	DP-1	1.25	GROMMES			
K115J455-1	Tone Compensation	TC-1	1.25	—	Diode Filter	D-3	.60
K115J739-1 (REK-012)	Vertical Integrator	V-17	.75	GUILD			
K115J739-3	Tone Compensation	TC-6	.60	—	Triode Coupling	T-3	.70
K115J929-1	Sync Takeoff	ST-6	1.00	HALLICRAFTERS			
K115J930-1	Vertical Integrator	V-7	1.00	46A151	Multiple Capacitor	34C3	.75
K115J931-1	Pentode Coupling	P-5	1.00	49A015	Vertical Integrator	V-1/V-3	1.10
K116J377-2	Antenna Chassis Isolation	ACI-2	.35	49A016	Diode Filter	D-1	.60
K116J377-3	Parallel Resistor Capacitor	PRC-3	.25	49A017	Triode Coupling	T-1	.75
K116J377-7	Parallel Resistor Capacitor	PRC-4	.25	49A018	Triode Coupling	T-2	.75
K116J377-8	Antenna Chassis Isolation	ACI-2	.35	49A022	Detector Pentode Coupling	DP-1	1.25
K116J921-1	Antenna Chassis Isolation	ACI-1	.25	49A023	Diode Filter	D-3	.60
K116J922-1	Parallel Resistor Capacitor	PRC-4	.25	49A024	Diode Filter	D-2	.60
K116J923-1 (RCR-006)	Antenna Chassis Isolation	ACI-2	.25	49A025	Triode Coupling	T-3	.70
K116J938-1 (REK-018)		Detector Triode	DT-10 ¹	.85	49A027	Detector Triode	DT-1
K116J956-1 (REK-019)	Tone Compensation	TC-6	.60	49A044	Vertical Integrator	V-5	1.00
K116J972-1 (REK-020)	Vertical Integrator	V-7	1.00	49A045	Sync Takeoff	ST-1	1.25
K124J17	Multiple Capacitor		.85	49A046	Sync Takeoff	ST-3	1.25
K125J86 (RCW-3105)	Multiple Capacitor	38C16	.75	49B015	Vertical Integrator	V-1/V-3	1.10
					49B043	Pentode Coupling	P-1
				49C022	Detector Pentode Coupling	DP-1	1.25
				21-987	Detector Triode	DT-1	1.00
				49-026	Detector Pentode Coupling	DP-1	1.25
				49-072	Antenna Chassis Isolation	ACI-1	.25

SPRAGUE PRINTED CIRCUIT

Original Part No.	Description	Sprague Replacement	List Price	Original Part No.	Description	Sprague Replacement	List Price
HAMILTON ELECTRONICS				JEWEL (Cont.)			
YA002-002	Pentode Coupling	P-1	.90	63A5-2	Triode Coupling	T-3	.70
HARMON-KARDON				63A5-4	Triode Coupling	T-3	.70
PC781599	Diode Filter	D-2	.60	C-19	Triode Coupling	T-4	.70
—	Diode Filter	D-3	.60	PC-80	Triode Coupling	T-1	.75
HOFFMAN				KAYE-HALBERT			
4068	Vertical Integrator	V-1/V-3	1.10	K-100	Detector Triode	DT-1	1.00
5600	Triode Coupling	T-2	.75	K-110	Vertical Integrator	V-1/V-3	1.10
5601	Detector Pentode Coupling	DP-1	1.25	K-220	Vertical Integrator	V-1/V-3	1.10
9695	Vertical Integrator	V-1/V-3	1.10	K-222	Vertical Integrator	V-1/V-3	1.10
9706	Diode Filter	D-3	.60	K-230	Triode Coupling	T-3	.70
986001	Vertical Integrator	V-1/V-3	1.10	KNIGHT			
H-9659	Vertical Integrator	V-1/V-3	1.10	811	Diode Filter	D-1	.60
HOTPOINT				82004	Triode Coupling	T-4	.70
See General Electric				N8215	Triode Coupling	T-4	.70
HYDE PARK				—	Triode Coupling	T-1	.75
49A044	Vertical Integrator	V-5	1.00	—	Triode Coupling	T-2	.75
49A046	Sync Takeoff	ST-3	1.25	—	Pentode Coupling	P-1	.90
—	Vertical Integrator	V-1/V-3	1.10	—	Detector Triode	DT-2	1.15
INDUSTRIAL TELEVISION				LEAR			
30-147	Vertical Integrator	V-1/V-3	1.10	63644-01	Diode Filter	D-2	.60
30-325	Pentode Coupling	P-1	.90	MAGNAVOX			
JACKSON				250170-1	Diode Filter	D-1	.60
65A-407	Triode Coupling	T-3	.70	250186-1	Vertical Integrator	V-1/V-3	1.10
65A-443	Vertical Integrator	V-1/V-3	1.10	250186-2	Sync Takeoff	ST-8	1.25
A-1375-6F	Vertical Integrator	V-1/V-3	1.10	250232-1	Vertical Integrator	V-1/V-3	1.10
A-1376-6F	Triode Coupling	T-1	.75	250233-1	Antenna Chassis Isolation	ACI-1	.25
A-1377-6F	Triode Coupling	T-3	.70	250751-1	Antenna Chassis Isolation	ACI-1	.25
JEFFERSON				250754-1	Detector Triode	DT-2	1.15
—	Detector Triode	DT-2	1.15	250755-1	Vertical Integrator	V-1/V-3	1.10
JEWEL				MAJESTIC			
35-24	Diode Filter	D-1	.60	10.100	Diode Filter	D-1	.60
36-2	Triode Coupling	T-1	.75	10.101	Vertical Integrator	V-1/V-3	1.10
36-3	Triode Coupling	T-3	.70	10.102	Detector Triode	DT-1	1.00
36-5	Detector Triode	DT-1	1.00	10.103	Triode Coupling	T-1	.75
36-6	Detector Pentode Coupling	DP-1	1.25	10.206	Sync Takeoff	ST-1	1.25
37T1	Vertical Integrator	V-1/V-3	1.10	37.1	Triode Coupling	T-1	.75
63A5-1	Triode Coupling	T-1	.75	—	Pentode Coupling	P-2	.90
				Note: Part number may be preceded by "B"			
MASCO				MASCO			
				—	Detector Triode	DT-1	1.00

REPLACEMENT MANUAL

Original Part No.	Description	Sprague Replacement	List Price	Original Part No.	Description	Sprague Replacement	List Price
MATTISON				MUNTZ			
ENW-100	Vertical Integrator	V-2	1.25	10.101	Vertical Integrator	V-1/V-3	1.10
MECK/MIRRORTONE				CC-0071	Vertical Integrator	V-1/V-3	1.10
CMX-10012	Vertical Integrator	V-1/V-3	1.10	CC-0129	Sync Takeoff	ST-2	1.25
MEISSNER				CC-0151	Sync Takeoff	ST-4	1.00
3471-1	Diode Filter	D-2	.60	CC-0161	Sync Takeoff	ST-1	1.25
34171-1	Diode Filter	D-2	.60	NATIONAL			
S1-150	Diode Filter	D-2	.60	Q-261	Diode Filter	D-1	.60
METEOR				Q-262-1	Diode Filter	D-1	.60
71-112	Detector Triode	DT-6	1.15	Q-518-1	Vertical Integrator	V-1/V-3	1.10
43743-1	Detector Triode	DT-5	1.15	Q-1518-1	Vertical Integrator	V-1/V-3	1.10
43743-2	Detector Triode	DT-5	1.15	R-9831	Triode Coupling	T-4	.70
49A046	Sync Takeoff	ST-3	1.25	T-604-1	Diode Filter	D-2	.60
T17-109	Vertical Integrator	V-1/V-3	1.10	NEWCOMB			
MITCHELL				CM-40	Detector Triode	DT-1	1.00
21A8	Diode Filter	D-1	.60	NORDIC			
21S16	Pentode Coupling	P-2	.90	—	Detector Triode	DT-2	1.15
1001	Triode Coupling	T-2	.75	NORELCO			
N6477	Triode Coupling	T-2	.75	30-147	Vertical Integrator	V-1/V-3	1.10
N8042	Vertical Integrator	V-1/V-3	1.10	OLDSMOBILE			
N8215	Triode Coupling	T-2	.75	1219563	Diode Filter	D-1	.60
N8330	Pentode Coupling	P-2	.90	OLYMPIC			
R1119	Detector Pentode Coupling	DP-1	1.25	166-109	Triode Coupling	T-4	.70
MOTOROLA				PC-2435	Vertical Integrator	V-1/V-3	1.10
21A472571	Diode Filter	D-1	.60	PC-2477	Detector Triode	DT-1	1.00
21A473040	Diode Filter	D-1	.60	PC-2478	Diode Filter	D-2	.60
21A813318	Diode Filter	D-1	.60	PC-2489	Pentode Coupling	P-2	.90
21B482847	Multiple Capacitor	34C3	.75	R-1458	Vertical Integrator	V-5	1.00
21B601007	Detector Triode	DT-1	1.00	R-1459	Sync Takeoff	ST-1	1.25
21B601036	Pentode Coupling	P-2	.90	R-2779	Antenna Chassis Isolation	ACI-1	.25
21B621535	Detector Pentode Coupling	DP-1	1.25	PACIFIC-MERCURY			
21B630180	Detector Triode	DT-2	1.15	A-95000	Vertical Integrator	V-1/V-3	1.10
21B630180G	Detector Triode	DT-5	1.15	A-95001	Triode Coupling	T-3	.70
21B631414	Detector Pentode Coupling	DP-1	1.25	A-95008	Vertical Integrator	V-1/V-3	1.10
21B631414-D	Detector Pentode Coupling	DP-3	1.50	A-95018	Triode Coupling	T-1	.75
21B702478	Triode Coupling	T-3	.70	PACKARD-BELL			
21K691992	Multiple Capacitor	34C4	.90	23818	Vertical Integrator	V-1/V-3	1.10
21K842354	Diode Filter	D-1	.60	23930	Diode Filter	D-1	.60
51B634228	Triode Coupling	T-3	.70	23951	Vertical Integrator	V-1/V-3	1.10
51B635833	Detector Triode	DT-5	1.15	23980	Vertical Integrator	V-1/V-3	1.10
51B740235	Antenna Chassis Isolation	ACI-1	.25				

SPRAGUE PRINTED CIRCUIT

Original Part No.	Description	Sprague Replacement	List Price	Original Part No.	Description	Sprague Replacement	List Price
PHILCO				RAYTHEON (Cont.)			
30-1327	Multiple Capacitor	34C1	.75	201-19996	Pentode Coupling	P-2	.90
30-6001	Triode Coupling	T-3	.70	17A-21742	Triode Coupling	T-3	.70
30-6006	Detector Triode	DT-2	1.15	17A-22376	Vertical Integrator	V-1/V-3	1.10
30-6007	Sync Takeoff	ST-9	.65	17A-24212	Sync Takeoff	ST-3	1.25
30-6008	Vertical Integrator	V-6	.80	17A-26694	Triode Coupling	T-2	.75
30-6009	Sync Takeoff	ST-5	.70	17A-27087	Vertical Integrator	V-1/V-3	1.10
30-6010	Diode Filter	D-4	.60	RCA			
30-6012	Vertical Integrator	V-9	.60	RCA			
30-6013	Phase Comparator	C-3	.70	RCA			
30-6014	Detector Pentode Coupling	DP-5	1.25	247-132	Detector Pentode Coupling	DP-1	1.25
30-6015	Vertical Feedback	VF-1	.75	74011	Diode Filter	D-1	.60
30-6016	Phase Comparator	C-1	.70	77196	Vertical Integrator	V-1/V-3	1.10
30-6016-1	Phase Comparator	C-4	.70	77365	Triode Coupling	T-4	.70
30-6016-2	Phase Comparator	C-5	.80	77995	Detector Triode	DT-2	1.15
30-6017	Horizontal Network	HN-2	.90	79058	Detector Triode	DT-2	1.15
30-6017-1	Horizontal Network	HN-3	.90	79246	Vertical Integrator	V-2	1.25
30-6018	Vertical Integrator	V-1/V-3	1.10	100081	Pentode Coupling	P-3	1.00
30-6019	Sync Takeoff	ST-10	.70	101065	Detector Triode	DT-5	1.15
30-6019-1	Sync Takeoff	ST-7	.60	103841	Antenna Chassis Isolation	ACI-1	.25
30-6020	Sound I.F.	SI-1	.90	103875	Detector Triode	DT-6	1.15
30-6021	Sync Takeoff	ST-7	.60	103876	Vertical Integrator	V-17	.75
30-6022	Pentode Coupling	P-6	.85	104328	Antenna Chassis Isolation	ACI-1	.25
30-6022-1	Pentode Coupling	P-4	.85	104329	Parallel Resistor Capacitor	PRC-1	.25
30-6023	Pentode Coupling	P-7	.75	104330	Sync Takeoff	ST-12	.65
30-6024	Retrace Suppression	RS-1	.70	124581-1	Sync Takeoff	ST-4	1.00
30-6024-1	Retrace Suppression	RS-2	.70	476128-1	Tone Compensation	TC-13	1.25
30-6025	Horizontal Network	HN-1	.90	942389-1	Vertical Integrator	V-1/V-3	1.10
30-6026	Pentode Coupling	P-8	.60	942389-2	Vertical Integrator	V-2	1.25
30-6027	Detector Triode	DT-10	.85	942659-1	Sync Takeoff	ST-9	.65
30-6028-1	Antenna Chassis Isolation	ACI-1	.25	943541-1	Parallel Resistor Capacitor	PRC-1	.25
30-6028-2	Antenna Chassis Isolation	ACI-4	.35	943541-2	Antenna Chassis Isolation	ACI-1	.25
30-6030-2	Vertical Integrator	V-10	1.10	971985-1	Detector Triode	DT-2	1.15
30-6030-3	Vertical Integrator	V-11	1.05	971985-3	Detector Triode	DT-5	1.15
PHILHARMONIC				971985-4	Detector Triode	DT-7	1.00
33-100	Vertical Integrator	V-1/V-3	1.10	972100-2	Detector Pentode Coupling	DP-4	1.25
33-102	Triode Coupling	T-1	.75	972118-1	Pentode Coupling	P-3	1.00
33-103	Sync Takeoff	ST-1	1.25	972181-1	Automatic Gain Control	AGC-1	.65
RADIO CRAFTSMEN				972181-2	Sync Takeoff	ST-12	.65
18X702	Diode Filter	D-1	.60	972213-1	Triode Coupling	T-4	.70
18X706	Vertical Integrator	V-1/V-3	1.10	8887714-1	Diode Filter	D-2	.60
CCX-1	Diode Filter	D-2	.60	A8876208-1	Vertical Integrator	V-1/V-3	1.10
RAYTHEON							
201-14083	Pentode Coupling	P-3	1.00				
201-15005	Diode Filter	D-1	.60				
201-16756	Triode Coupling	T-4	.70				
201-19303	Detector Triode	DT-2	1.15				

REPLACEMENT MANUAL

Original Part No.	Description	Sprague Replacement	List Price	Original Part No.	Description	Sprague Replacement	List Price
REGAL				SHAW			
50-138	Vertical Integrator	V-1/V-3	1.10	Z-1097	Vertical Integrator	V-1/V-3	1.10
50-142	Diode Filter	DT-1	1.00	—	Vertical Integrator	V-2	1.25
50-143	Pentode Coupling	P-2	.90	SHERATON			
—	Vertical Integrator	V-2	1.25	ENW-101	Vertical Integrator	V-1/V-3	1.10
REMLER				SILVERTONE			
L-205-99		T-2	.75	13-1-2	Diode Filter	D-1	.60
REVERE				13-2-0	Vertical Integrator	V-1/V-3	1.10
A177-3	Pentode Coupling	P-2	.90	13-5-3	Detector Pentode Coupling	DP-1	1.25
A177-4	Diode Filter	D-1	.60	13-10-3	Detector Triode	DT-6	1.15
A177-5	Diode Filter	D-3	.60	13-13-3	Detector Triode	DT-1	1.00
ROLAND				13-14-3	Detector Triode	DT-6	1.15
—	Diode Filter	D-1	.60	17-110	Triode Coupling	T-2	.75
—	Detector Pentode Coupling	DP-1	1.25	17-112	Detector Triode	DT-6	1.15
—	Detector Pentode	DT-1	1.00	49-072	Antenna Chassis Isolation	ACI-1	.25
—	Detector Pentode	DT-2	1.15	147-27	Diode Filter	D-1	.60
SCOTT				330-1	Antenna Chassis Isolation	ACI-1	.25
CMX-10012	Vertical Integrator	V-1/V-3	1.10	3614	Triode Coupling	T-2	.75
SENTINEL				24084	Triode Coupling	T-1	.75
23E2022	Diode Filter	D-1	.60	24166	Vertical Integrator	V-1/V-3	1.10
23E2023-1	Triode Coupling	T-2	.75	25264	Triode Coupling	T-3	.70
23E2023-2	Pentode Coupling	P-2	.90	43743-1	Detector Triode	DT-5	1.15
23E2023-4	Vertical Integrator	V-1/V-3	1.10	43743-2	Detector Triode	DT-5	1.15
23E2023-5	Vertical Integrator	V-1/V-3	1.10	505858	Triode Coupling	T-3	.70
23E2023-6	Sync Takeoff	ST-8	1.25	506338	Diode Filter	D-1	.60
23E2023-7	Vertical Integrator	V-5	1.00	508062	Vertical Integrator	V-1/V-3 ¹	1.10
23E2024	Multiple Capacitor	34C5	.75	49A044	Vertical Integrator	V-5	1.00
23E2041-2	Triode Coupling	T-2	.75	49A046	Sync Takeoff	ST-3	1.25
23E2041-6	Detector Triode	DT-2	1.15	E-3015	Detector Triode	DT-1	1.00
23E2041-7	Triode Coupling	T-2	.75	E-3016	Diode Filter	D-1	.60
23E2041-8	Detector Pentode Coupling	DP-2	1.00	E-3019	Pentode Coupling	P-2	.90
23E2042	Pentode Coupling	P-2	.90	E-3020	Diode Filter	D-2	.60
250186-1	Vertical Integrator	V-1/V-3	1.10	PB-20150	Vertical Integrator	V-1/V-3	1.10
250186-2	Sync Takeoff	ST-8	1.25	PB-20152	Detector Triode	DT-1	1.00
250232-1	Vertical Integrator	V-1/V-3	1.10	PC-1	Triode Coupling	T-3	.70
250233-1	Antenna Chassis Isolation	ACI-1	.25	PMA-95000	Vertical Integrator	V-1/V-3	1.10
250751-1	Antenna Chassis Isolation	ACI-1	.25	PMA-95001	Triode Coupling	T-3	.70
250755-1	Vertical Integrator	V-1/V-3	1.10	T17-103	Multiple Capacitor	34C4	.90
A157812-1-2	Vertical Integrator	V-5	1.00	T17-104	Multiple Capacitor	34C3	.75
A157813-1-3	Sync Takeoff	ST-2	1.25	T17-105	Detector Pentode Coupling	DP-1	1.25
T17-104	Multiple Capacitor	34C3	.75	T17-106	Vertical Integrator	V-1/V-3	1.10
				T17-108	Detector Triode	DT-1	1.00
				T17-109	Vertical Integrator	V-1/V-3	1.10
				T17-110	Triode Coupling	T-2	.75
				T17-111	Detector Triode	DT-2	1.15
				—	Detector Triode	DT-4	1.00

¹Install 5HK-S1 in series with input lead

SPRAGUE PRINTED CIRCUIT

Original Part No.	Description	Sprague Replacement	List Price	Original Part No.	Description	Sprague Replacement	List Price
SONIC				STEWART-WARNER (Cont.)			
—	Detector Triode	DT-2	1.15	509836	Detector Triode	DT-1	1.00
—	Detector Triode	DT-5	1.15	521305	Detector Pentode Coupling	DP-1	1.25
SONORA				STRATFORD			
N6477	Triode Coupling	T-2	.75	—	Triode Coupling	T-3	.70
N8042	Vertical Integrator	V-1/V-3	1.10	—	Vertical Integrator	V-1/V-3	1.10
N8215	Triode Coupling	T-4	.70	STROMBERG-CARLSON			
N8330	Pentode Coupling	P-2	.90	81797	Triode Coupling	T-3	.70
R1119	Detector Pentode Coupling	DP-1	1.25	110478	Diode Filter	D-1	.60
R1236	Detector Triode	DT-2	1.15	128200	Vertical Integrator	V-1/V-3	1.10
R1458	Vertical Integrator	V-5	1.00	128202	Triode Coupling	T-3	.70
R1459	Sync Takeoff	ST-1	1.25	128205	Detector Pentode Coupling	DP-1	1.25
R1487	Detector Triode	DT-5	1.15	SYLVANIA			
R2228	Diode Filter	D-3	.60	32-70427	Vertical Integrator	V-1/V-3	1.10
R2308	Pentode Coupling	P-2	.90	32-70427-1	Vertical Integrator	V-1/V-3	1.10
—	Detector Triode	DT-4	1.00	32-77713-1	Detector Triode	DT-1	1.00
SPARTON				32-78698-1	Vertical Integrator	V-4	1.10
250170-1	Diode Filter	D-1	.60	32-78930-1	Detector Pentode Coupling	DP-1	1.25
250186-1	Vertical Integrator	V-1/V-3	1.10	32-86487-1	Detector Triode	DT-6	1.15
250232-1	Vertical Integrator	V-1/V-3	1.10	32-91683-1	Sync Takeoff	ST-1	1.25
250233-1	Antenna Chassis Isolation	ACI-1	.25	32-91684-1	Vertical Integrator	V-5	1.00
250754-1	Detector Triode	DT-2	1.15	32-93759-1	Antenna Chassis Isolation	ACI-1	.25
PA-4307-14	Multiple Capacitor	34C17	.65	190-0007	Vertical Integrator	V-1/V-3	1.10
PA-4329-1	Diode Filter	D-1	.60	190-0009	Detector Pentode Coupling	DP-1	1.25
PA-4333-1	Pentode Coupling	P-2	.90	190-0010	Detector Pentode Coupling	DP-1	1.25
PA-4339-4	Multiple Capacitor	34C17	.65	190-0011	Detector Pentode Coupling	DP-1	1.25
PA-4351-1	Vertical Integrator	V-5	1.00	190-0012	Vertical Integrator	V-4	1.10
—	Pentode Coupling	P-1	.90	190-0013	Diode Filter	D-5	.80
—	Pentode Coupling	P-3	1.00	190-0015	Diode Filter	D-3	.60
STARRETT				190-0017	Detector Triode	DT-6	1.15
PP-1288	Vertical Integrator	V-1/V-3	1.10	190-0018	Sync Takeoff	ST-1	1.25
STEELMAN				190-0019	Vertical Integrator	V-5	1.00
420006	Detector Triode	DT-2	1.15	190-0021	Detector Triode	DT-2	1.15
—	Diode Filter	D-1	.60	190-0022	Vertical Integrator	V-17	.75
—	Detector Triode	DT-1	1.00	190-0023	Vertical Integrator	V-17	.75
STEWART-WARNER				190-0033	Detector Triode	DT-6	1.15
76X1	Diode Filter	D-1	.60	190-0034	Vertical Integrator	V-17	.75
76X5	Triode Coupling	T-1	.75	190-0035	Antenna Chassis Isolation	ACI-1	.25
505855	Triode Coupling	T-3	.70				
505858	Triode Coupling	T-3	.70				
505946	Diode Filter	D-2	.60				
506338	Diode Filter	D-1	.60				
507588	Vertical Integrator	V-2	1.25				
508062	Vertical Integrator	V-1/V-3	1.10				
508309	Pentode Coupling	P-2	.90				

REPLACEMENT MANUAL

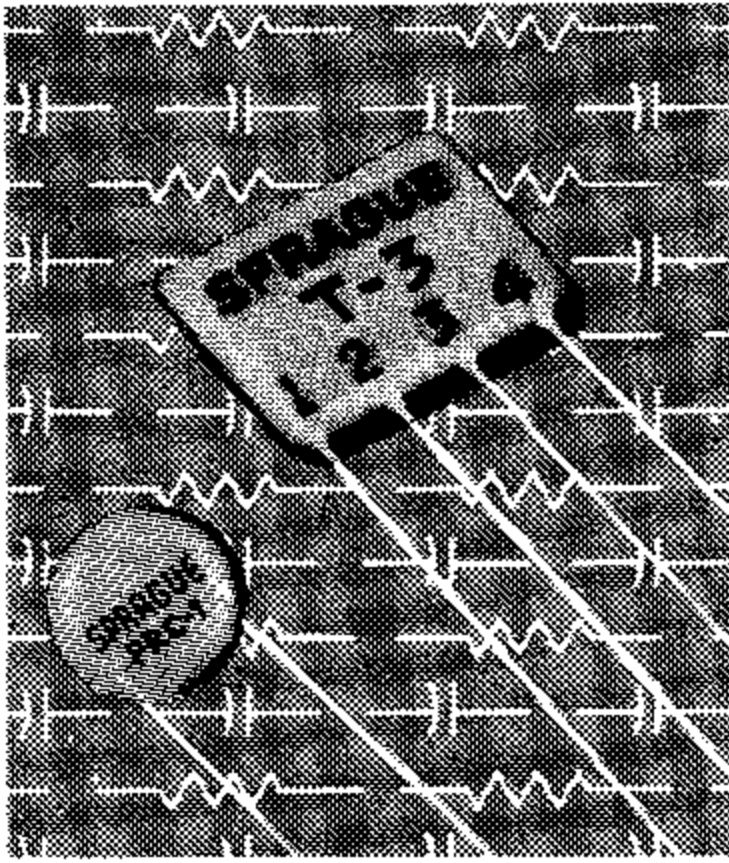
Original Part No.	Description	Sprague Replacement	List Price	Original Part No.	Description	Sprague Replacement	List Price
TECH-MASTER				TRUETONE (Cont.)			
—	Vertical Integrator	V-1/V-3	1.10	201-14083	Pentode Coupling	P-3	1.00
—	Detector Triode	DT-1	1.00	201-15005	Diode Filter	D-1	.60
TELE-KING				201-19303	Detector Triode	DT-2	1.15
CRP-1	Diode Filter	D-1	.60	201-19996	Pentode Coupling	P-1	.90
CRP-2	Triode Filter	T-1	.75	43343	Detector Triode	DT-1	1.00
CRP-3	Vertical Integrator	V-1/V-3	1.10	505858	Triode Coupling	T-3	.70
CRP-5	Detector Triode	DT-1	1.00	508062	Vertical Integrator	V-1/V-3 ¹	1.10
CRP-6	Diode Filter	D-2	.60	509433	Detector Triode	DT-1	1.00
CRP-9	Sync Takeoff	ST-1	1.25	509836	Detector Triode	DT-1	1.00
CRP-10	Vertical Integrator	V-5	1.00	521305	Detector Pentode Coupling	DP-1	1.25
TRAD				522907	Diode Filter	D-1	.60
—	Vertical Integrator	V-1/V-3	1.10	17A-21742	Triode Coupling	T-3	.70
TRANSVISION				17A-22376	Vertical Integrator	V-1/V-3	1.10
1259	Vertical Integrator	V-2	1.25	17A-24212	Sync Takeoff	ST-3	1.25
2955	Vertical Integrator	V-1/V-3	1.10	17A-26694	Triode Coupling	T-2	.75
—	Diode Filter	D-2	.60	17A-27087	Vertical Integrator	V-1/V-3	1.10
—	Detector Triode	DT-1	1.00	23E2022-2	Diode Filter	D-1	.60
TRAV-LER				23E2042	Pentode Coupling	P-2	.90
CC-24	Multiple Capacitor	34C17	.65	37T1	Vertical Integrator	V-1/V-3	1.10
CC-26	Vertical Integrator	V-1/V-3	1.10	49A016	Diode Filter	D-1	.60
CC-51	Vertical Integrator	V-5	1.00	49A042	Sync Takeoff	ST-3	1.25
CC-55	Antenna Chassis Isolation	ACI-1	.25	49A406	Sync Takeoff	ST-3	1.25
MC-7	Multiple Capacitor	34C4	.90	76X1	Diode Filter	D-3	.60
MC-8	Multiple Capacitor	34C3	.75	76X5	Triode Coupling	T-1	.75
MC-18	Detector Pentode Coupling	DP-1	1.25	76X7	Vertical Integrator	V-1/V-3	1.10
MC-19	Detector Triode	DT-1	1.00	76X11	Antenna Chassis Isolation	ACI-1	.25
TVC-C26	Vertical Integrator	V-1/V-3	1.10	76X12	Detector Triode	DT-5	1.15
TVC-C50	Sync Takeoff	ST-1	1.25	76X13	Parallel Resistor Capacitor	PRC-5	.30
TVC-C51	Vertical Integrator	V-5	1.00	E3015	Detector Triode	DT-5	1.15
TRUETONE				MC-18	Detector Pentode Coupling	DP-1	1.25
17-103	Multiple Capacitor	34C4	.90	MC-19	Detector Triode	DT-4	1.00
17-104	Multiple Capacitor	34C3	.75	¹ Install 5HK-S1 in series with input lead			
36-6	Detector Pentode Coupling	DP-1	1.25	ULTRATONE			
121-001556	Antenna Chassis Isolation	ACI-1	.25	—	Detector Triode	DT-2	1.15
166-102	Detector Pentode Coupling	DP-1	1.25	V-M			
166-107	Diode Filter	D-1	.60	3614	Triode Coupling	T-2	.75
166-109	Triode Coupling	T-4	.70	12501	Triode Coupling	T-2	.75
166-110	Pentode Coupling	P-2	.90	VIDEO PRODUCTS			
166-111	Detector Triode	DT-2	1.15	ENW-100	Vertical Integrator	V-1/V-3	1.10
TRUETONE				ENW-101	Vertical Integrator	V-2	1.25
VOCATRON				VOCATRON			
TRUETONE				PE-089	Detector Triode	DT-1	1.00

SPRAGUE PRINTED CIRCUIT REPLACEMENT MANUAL

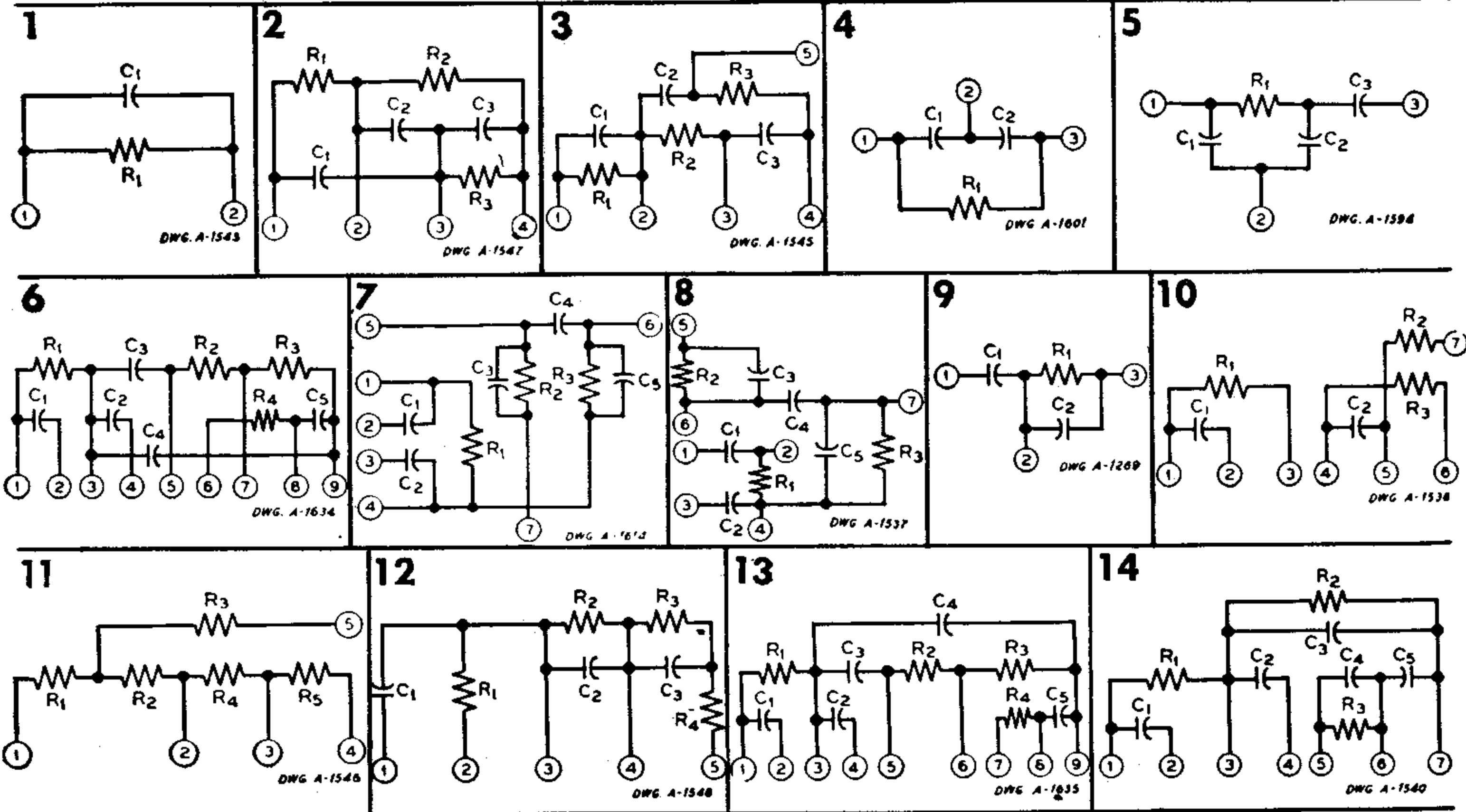
Original Part No.	Description	Sprague Replacement	List Price	Original Part No.	Description	Sprague Replacement	List Price
WALSCO				WESTINGHOUSE (Cont.)			
—	Triode Coupling	T-3	.70	219V014H02	Detector Triode	DT-2	1.15
—	Vertical Integrator	V-1/V-3	1.10	219V994M01	Parallel Resistor Capacitor	PRC-4	.25
WEBCOR				690V004H01	Parallel Resistor Capacitor	PRC-2	.25
62-P001	Vertical Integrator	V-1/V-3	1.10	690V004H42	Antenna Chassis Isolation	ACI-1	.25
62-P003	Triode Coupling	T-4	.70	V-6060-1	Vertical Integrator	V-1/V-3	1.10
WELLS GARDNER				V-6232-1	Diode Filter	D-2	.60
76X1	Detector Triode	D-3	.60	V-6232-2	Diode Filter	D-2	.60
76X5	Triode Coupling	T-1	.75	V-9212-1A	Vertical Integrator	V-1/V-3	1.10
76X6	Triode Coupling	T-3	.70	V-9213	Vertical Integrator	V-1/V-3	1.10
76X7	Vertical Integrator	V-1/V-3	1.10	V-9634-1	Multiple Capacitor	34C3	.75
76X10	Triode Coupling	T-4	.70	V-9703	Multiple Capacitor	34C4	.90
76X11	Antenna Chassis Isolation	ACI-1	.25	V-10789-1	Detector Triode	DT-1	1.00
WESTINGHOUSE				V-10789-2	Detector Triode	DT-2	1.15
210V003H01	Vertical Integrator	V-1/V-3	1.10	V-11192-1	Vertical Integrator	V-2	1.25
219V00M01	Vertical Integrator	V-1/V-3	1.10	V-15542-1	Detector Triode	DT-5	1.15
219V001H01	Detector Triode	DT-5	1.15	V-15666-1	Vertical Integrator	V-1/V-3	1.10
219V001M01	Detector Triode	DT-4	1.00	—	Decoupling Filter	F-1	.85
219V003H01	Vertical Integrator	V-1/V-3	1.10	—	Decoupling Filter	F-2	.85
219V004H02	Parallel Resistor Capacitor	PRC-2	.25	ZENITH			
219V004M02	Parallel Resistor Capacitor	PRC-2	.25	87-4	Vertical Integrator	V-14	.35
				87-5	Vertical Integrator	V-15	.35
				105-27	Triode Coupling	T-3	.70
				105-28	Triode Coupling	T-3	.70
				105-31	Pentode Coupling	P-2	.90

Don't Be Vague . . .
Ask for SPRAGUE!

BULPLATE[®] and MULTI-COMP[★] PRINTED CIRCUITS



- Bulplates (rectangular plates) and Multi-comps (circular discs) are especially designed to save space and reduce assembly time.
- Combinations of resistors and capacitors of maximum compactness
- Integral connections are "printed" and brought out to external leads which are anchored to the basic ceramic plate
- Completed units are protected by a tough moisture-proof coating
- Maximum voltage to be applied across these units is 250 volts d-c, except on D-1 which is rated at 100 volts d-c
- Types ACI-1, ACI-2, ACI-3, ACI-4, PRC-1, PRC-3, PRC-4, PRC-5, PRC-6, V-14, and V-15 are Multi-comp disc-type units—All others are Bulplate rectangular plates



ANTENNA-CHASSIS ISOLATION

Fig.	C ₁ ($\mu\mu\text{F}$)	R ₁ ($\text{M}\Omega$)	Cat. No.	List Price
1	470	.2 - 1.0	ACI-1	\$.25
1	4700	.75 - 1.5	ACI-2	.35
1	1000	.75 - 1.5	ACI-3	.30
1	5000	.2 - 1.0	ACI-4	.35

AUTOMATIC GAIN CONTROL

Fig.	R ₁ ($\text{K}\Omega$)	R ₂ ($\text{K}\Omega$)	R ₃ ($\text{K}\Omega$)	R ₄ ($\text{K}\Omega$)	R ₅ ($\text{K}\Omega$)	Cat. No.	List Price
11	71.2	126	389	82	820	AGC-1	\$.65

PHASE COMPARATOR

Fig.	C ₁ ($\mu\mu\text{F}$)	C ₂ ($\mu\mu\text{F}$)	C ₃ ($\mu\mu\text{F}$)	R ₁ ($\text{K}\Omega$)	R ₂ ($\text{K}\Omega$)	R ₃ ($\text{K}\Omega$)	R ₄ ($\text{K}\Omega$)	Cat. No.	List Price
12	82	100	1000	680	680	4700	200	C-1	\$.70
2	1000	150	150	100	100	100	—	C-2	.65
3	180	150	150	680	390	8.2	—	C-3	.70
12	68	120	1000	100	680	4700	220	C-4	.70
12	82	200	1500	100	680	4700	220	C-5	.80

DIODE FILTER

Fig.	C ₁ ($\mu\mu\text{F}$)	C ₂ ($\mu\mu\text{F}$)	R ₁ ($\text{K}\Omega$)	Cat. No.	List Price
4	100	100	47	D-1	\$.60
4	150	150	47	D-2	.60

DIODE FILTER (Continued)

Fig.	C ₁ ($\mu\mu\text{F}$)	C ₂ ($\mu\mu\text{F}$)	C ₃ ($\mu\mu\text{F}$)	R ₁ ($\text{K}\Omega$)	Cat. No.	List Price
4	50	50	—	47	D-3	\$.60
4	100	100	—	100	D-4	.60
5	330	680	.01	100	D-5	.80

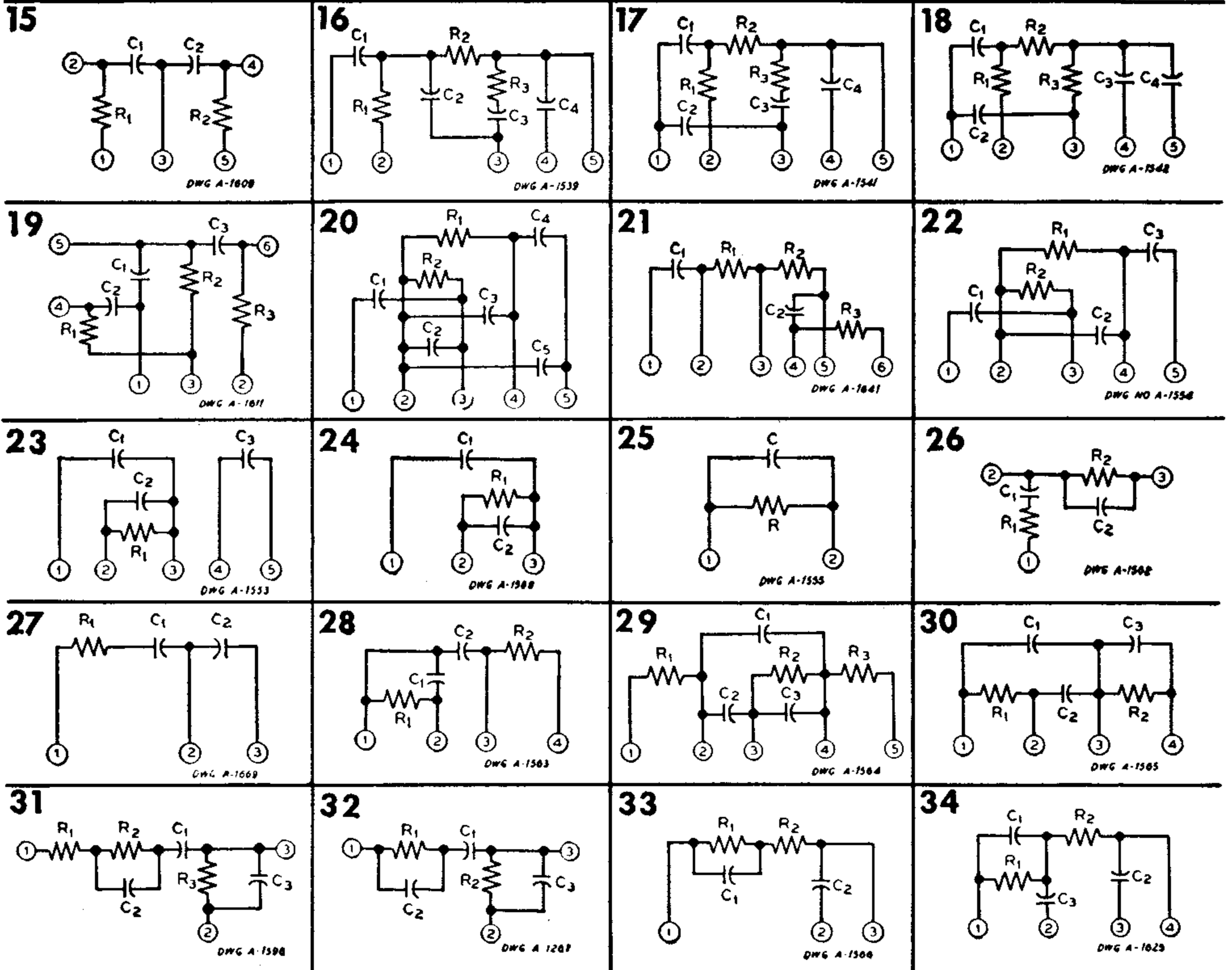
DETECTOR PENTODE COUPLING

Fig.	C ₁ (μF)	C _{2, C₃} ($\mu\mu\text{F}$)	C ₄ (μF)	C ₅ (μF)	R ₁ ($\text{M}\Omega$)	R ₂ ($\text{M}\Omega$)	R ₃ ($\text{M}\Omega$)	R ₄ ($\text{M}\Omega$)	Cat. No.	List Price
6	.002	150	.01	.005	10	4.7	1.0	3.3	DP-1	\$1.25
6	.002	150	.01	.005	4.7	4.7	1.0	2.2	DP-2	1.00
13	.005	150	.01	.0005	10	4.7	1.0	3.3	DP-3	1.50
6	.001	68	.01	.0025	10	4.7	1.0	3.3	DP-4	1.25
6	.002	150	.01	.005	10	4.7	1.0	3.3	DP-5	1.25

DETECTOR TRIODE COUPLING

Fig.	C ₁ (μF)	C ₂ ($\mu\mu\text{F}$)	C ₃ ($\mu\mu\text{F}$)	C ₄ (μF)	C ₅ ($\mu\mu\text{F}$)	R ₁ ($\text{M}\Omega$)	R _{2, R₃} ($\text{K}\Omega$)	Cat. No.	List Price
7	.0022	220	220	.0047	220	6.8	470	DT-1	\$1.00
7	.005	220	220	.005	220	6.8	470	DT-2	1.15
7	.002	220	500	.005	500	6.8	470	DT-3	1.00
7	.002	220	250	.005	250	6.8	470	DT-4	1.00
7	.005	220	250	.005	250	6.8	470	DT-5	1.15
7	.005	220	250	.005	250	10	470	DT-6	1.15
7	.005	220	375	.005	375	6.8	470	DT-7	1.00
14	.002	400	220	.00022	5000	6.8	470	DT-8	.95
8	.002	400	220	.005	220	6.8	470	DT-9	.70
10	.005	5000	—	—	—	6.8	470	DT-10	.85
9	.01	50	—	—	—	4.7	—	DT-11	.75

BULPLATE and MULTI-COMP PRINTED CIRCUITS (Continued)



DECOUPLING FILTER

Fig.	C ₁ (μF)	C ₂ (μF)	R ₁ (Ω)	R ₂ (Ω)	Cat. No.	List Price
15	.0047	.0047	1000	1000	F-1	\$.85
15	.0047	.0047	220	820	F-2	.85

HORIZONTAL NETWORK

Fig.	C ₁ (μF)	C ₂ (μF)	C ₃ (μμF)	C ₄ (μF)	R ₁ (KΩ)	R ₂ (KΩ)	R ₃ (KΩ)	Cat. No.	List Price
16	.001	.0015	390	.003	10	39	5.6	HN-1	\$.90
17	.001	.002	390	.003	15	39	5.6	HN-2	.90
18	.001	.001	390	.003	8.2	39	8.2	HN-3	.90

PENTODE COUPLING

Fig.	C ₁ (μμF)	C ₂ (μF)	C ₃ (μF)	C ₄ (μF)	R ₁ (MΩ)	R ₂ (MΩ)	R ₃ (MΩ)	Cat. No.	List Price
19	47	.0022	.0047	—	4.7	1.0	2.2	P-1	\$.90
19	100	.0047	.0047	—	4.7	1.0	2.2	P-2	.90
19	100	.005	.002	—	4.7	1.0	2.2	P-3	1.00
20	5000	.00047	.00047	.003	1.5	10	—	P-4	.85
21	6800	.01	—	—	6.8	1.0	.47	P-5	1.00
22	5000	.001	.003	—	.39	10	—	P-6	.85
23	5000	.00033	.003	—	10	—	—	P-7	.75
24	5000	.00035	—	—	10	—	—	P-8	.60

PARALLEL RESISTOR-CAPACITOR

Fig.	C ₁ (μμF)	R ₁ (KΩ)	Cat. No.	List Price
25	56	47	PRC-1	\$.25
25	330	220	PRC-2	.25

PARALLEL RESISTOR-CAPACITOR (Continued)

Fig.	C ₁ (μμF)	R ₁ (KΩ)	Cat. No.	List Price
25	470	470	PRC-3	\$.25
25	800	22	PRC-4	.25
25	330	150	PRC-5	.30
25	5000	68	PRC-6	.25

RETRACE SUPPRESSION

Fig.	C ₁ (μF)	C ₂ (μF)	R ₁ (KΩ)	R ₂ (KΩ)	Cat. No.	List Price
26	.005	.01	10	1	RS-1	\$.70
26	.005	.002	10	1	RS-2	.70
26	.01	.01	56	2.7	RS-3	.90
27	—	—	—	—	RS-4	.55

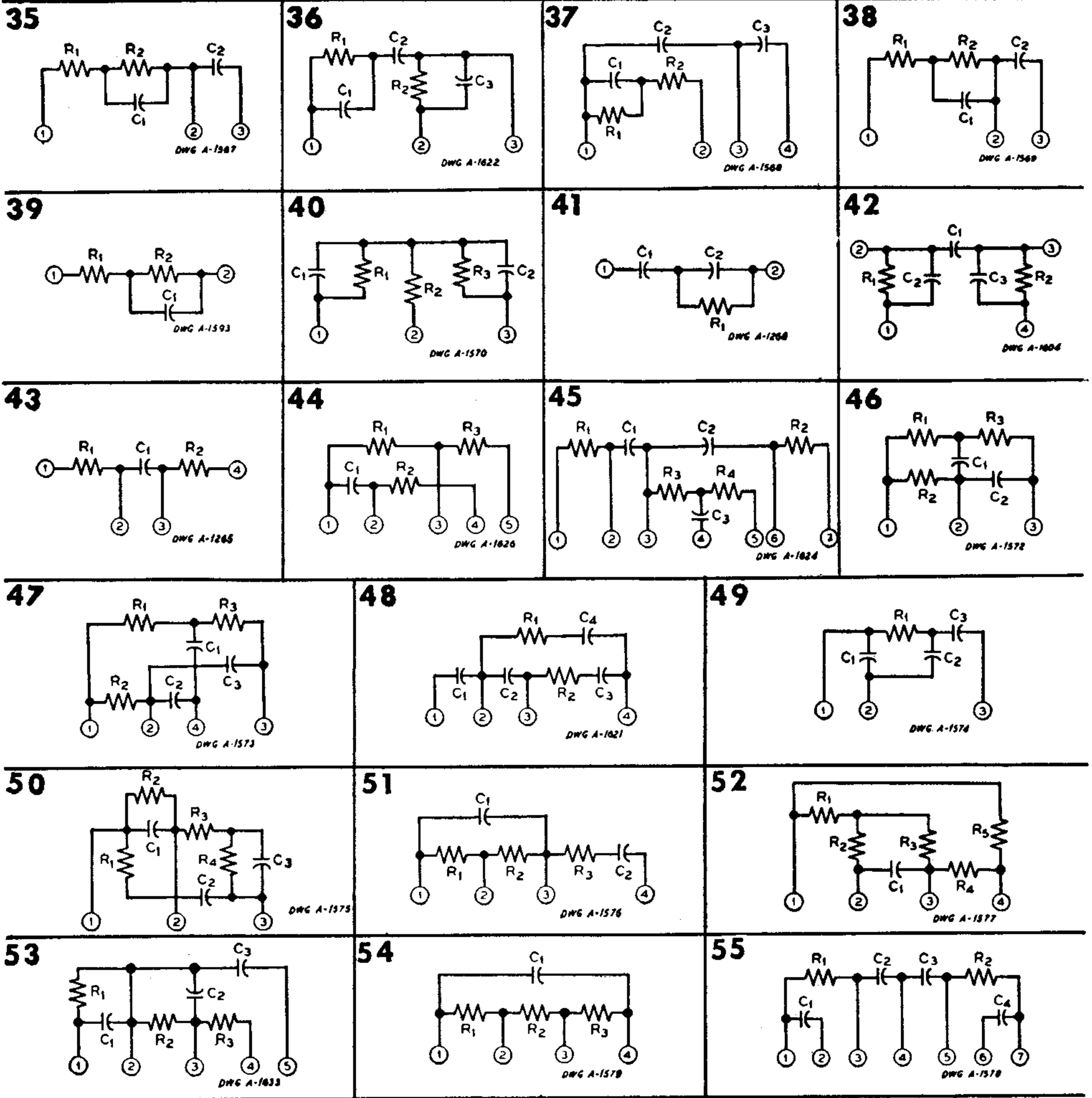
SOUND I-F

Fig.	C ₁ (μμF)	C ₂ (μμF)	C ₃ (μμF)	R ₁ (Ω)	R ₂ (Ω)	R ₃ (Ω)	Cat. No.	List Price
28	5000	5000	—	150	220	—	SI-1	\$.90
28	5000	2000	—	330	27 K	—	SI-2	.60
29	470	5	5	47	33 K	470	SI-3	1.00
30	470	470	1500	470	2.2 Meg	—	SI-4	.80

SYNC TAKEOFF

Fig.	C ₁ (μF)	C ₂ (μF)	C ₃ (μμF)	R ₁ (KΩ)	R ₂ (KΩ)	R ₃ (KΩ)	Cat. No.	List Price
31	.01	.00027	25	10	330	2200	ST-1	\$1.25
31	.01	.00027	25	10	220	2200	ST-2	1.25
32	.01	.00027	25	220	2200	—	ST-3	1.25
31	.01	.00027	2.2	10	330	2200	ST-4	1.00
33	.001	.014	—	4700	220	—	ST-5	.70
34	.00047	.0008	10000	470	2200	—	ST-6	1.00

BULPLATE and MULTI-COMP PRINTED CIRCUITS (Continued)



SYNC TAKEOFF (Continued)

Fig.	C ₁ (μF)	C ₂ (μF)	C ₃ (μμF)	R ₁ (KΩ)	R ₂ (KΩ)	R ₃ (KΩ)	Cat. No.	List Price
35	.00068	.005	—	10	220	—	ST-7	\$.60
36	.00015	.01	25	470	2200	—	ST-8	1.25
37	.001	.001	3300	4700	200	—	ST-9	.65
38	.00068	.005	—	4.7	220	—	ST-10	.75
39	.00015	—	—	15	270	—	ST-11	.65
40	.00033	.00033	—	270	2200	560	ST-12	.75
41	.01	.00015	—	270	Formerly PB-1	—	ST-13	.70

STONE COMPENSATION

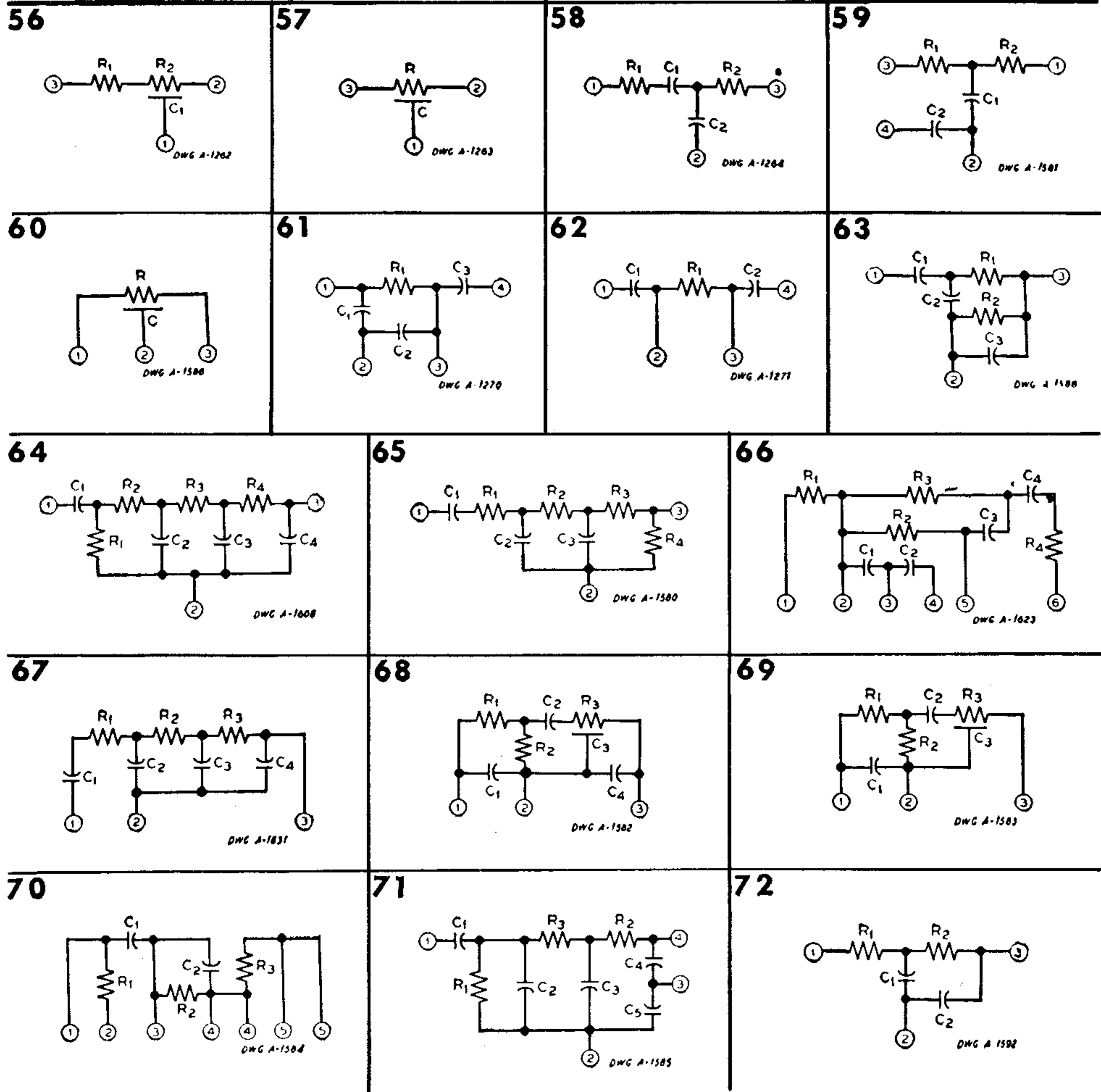
Fig.	C ₁ (μμF)	C ₂ (μμF)	C ₃ (μμF)	C ₄ (μμF)	R ₁ (KΩ)	R ₂ (KΩ)	R ₃ (KΩ)	R ₄ R ₅ (KΩ)	Cat. No.	List Price
45	4700	4700	100	—	100	100	470	1.0	TC-1	\$1.25
46	1500	1500	—	—	4700	4700	4700	—	TC-2	.60
47	3000	400	250	—	4700	4700	4700	—	TC-3	.75
48	200	100	4500	4500	50	50	—	—	TC-4	1.00
48	100	50	2500	2500	100	100	—	—	TC-5	1.00
49	1000	4000	0000	—	22	—	—	—	TC-6	.60
50	150	4700	2200	—	220	47	47	270	TC-7	1.10
51	150	10000	—	—	150	47	27	—	TC-8	.75
52	10	—	—	—	7.3	107	132	150	TC-9	1.00
53	390	2200	5000	—	47	10	10	—	TC-11	1.25
54	47	—	—	—	100	100	100	—	TC-12	.75
55	10	900	10	4700	10	22	—	—	TC-13	1.25

TRIODE COUPLING

Fig.	C ₁ (μF)	C ₂ , C ₃ (μμF)	R ₁ (KΩ)	R ₂ (KΩ)	R ₃ (KΩ)	Cat. No.	List Price
42	.01	250	500	500	—	T-1	\$.75
42	.01	250	250	500	—	T-2	.70
42	.005	250	500	500	—	T-3	.75
42	.005	250	250	500	—	T-4	.70
43	.01	—	470	1000	—	T-5	.75
42	.01	500	500	500	—	T-6	1.00
44	.01	—	150	1000	147	T-7	.60

All prices subject to change without notice.

BULPLATE and MULTI-COMP PRINTED CIRCUITS (Continued)



VERTICAL INTEGRATOR

Fig	C ₁ (μF)	C ₂ (μF)	C ₃ (μF)	C ₄ (μF)	R ₁ (KΩ)	R ₂ (KΩ)	R ₃ (KΩ)	R ₄ (KΩ)	Cat. No.	List Price
56	.012	—	—	—	22	16.4	—	—	V-1/V-3	\$1.10
64	.01	.002	.005	.005	22	22	8.2	8.2	V-2	1.25
57	.012	—	—	—	16.4	—	—	—	V-4	1.10
58	.0047	.0047	—	—	22	10	—	—	V-5	1.00
65	.004	.01	.01	—	10	10	10	1000	V-6	.80
66	.00018	.00013	.00008	.00008	47	47	68	100	V-7	1.00
67	.01	.002	.005	.005	22	8.2	8.2	—	V-8	1.25
59	.0025	.00033	—	—	33	15	—	—	V-9	.60
68	.00015	.005	.004	.004	33	33	90	—	V-10	1.10
69	.00015	.005	.004	—	33	33	90	—	V-11	1.05
70	.05	.002	—	—	1000	1000	10	—	V-12	2.00

VERTICAL INTEGRATOR (Continued)

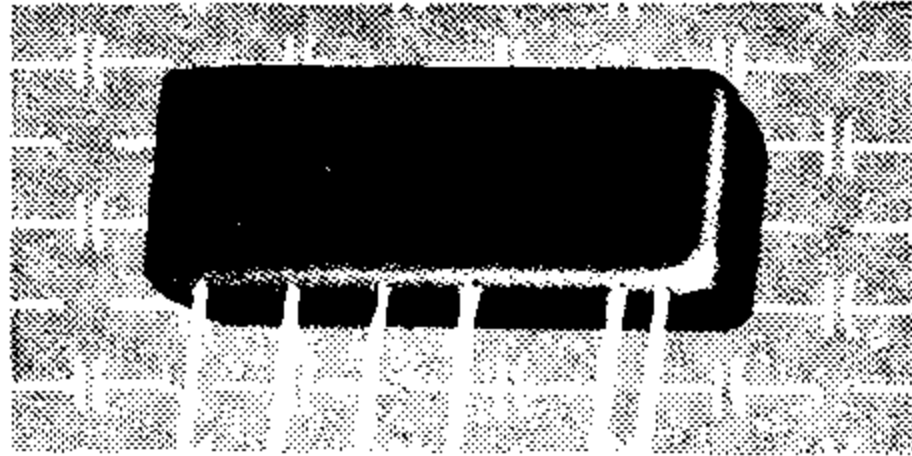
Fig	C ₁ (μF)	C ₂ (μF)	C ₃ (μF)	C ₄ (μF)	C ₅ (μF)	R ₁ (KΩ)	R ₂ (KΩ)	R ₃ (KΩ)	Cat. No.	List Price
71	.0051	.01	.0022	.001	470	47	33	82	V-13	\$.80
60	.001	—	—	—	—	70	—	—	V-14	.35
60	.001	—	—	—	—	90	—	—	V-15	.35
72	.001	.002	—	—	—	82	39	—	V-16	.75
61	.001	.004	.01	—	—	22	—	—	Formerly PB-3V-17	.75
62	.00025	.01	—	—	—	4700	—	—	Formerly PB-4V-18	1.00

VERTICAL FEEDBACK

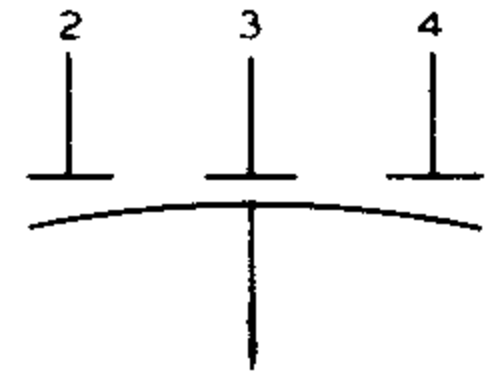
Fig.	C ₁ C ₂ (μF)	C ₃ (μF)	R ₁ R ₂ (KΩ)	Cat. No.	List Price
63	.001	.002	100	VF-1	\$.75

All prices subject to change without notice.

BULPLATE® MULTIPLE CAPACITORS

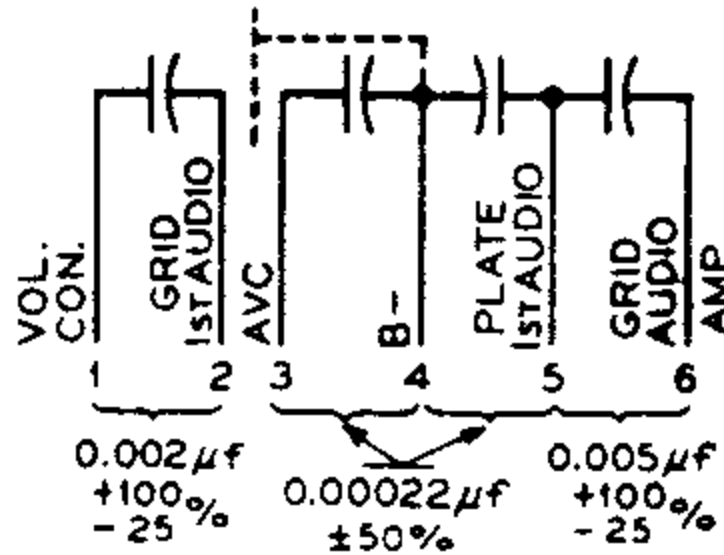


- These Rugged Units Combine in One Compact Assembly All the Capacitors Used in One or More Stages of a Radio Circuit
- Fit Tight Spaces in Miniature Sets
- Rated at 500 WVDC, 1000 VDC Test



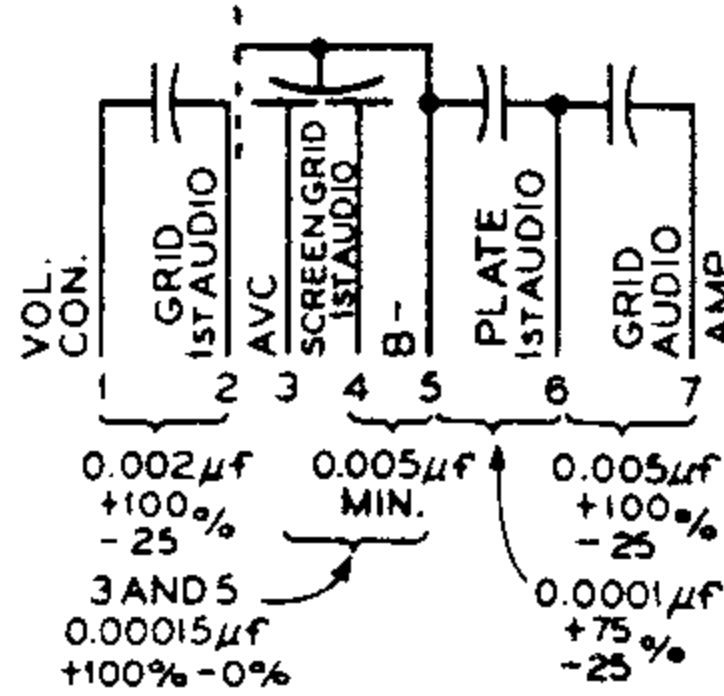
3 X 0.004μf MIN.

Cat. No. 34C6 List \$.65



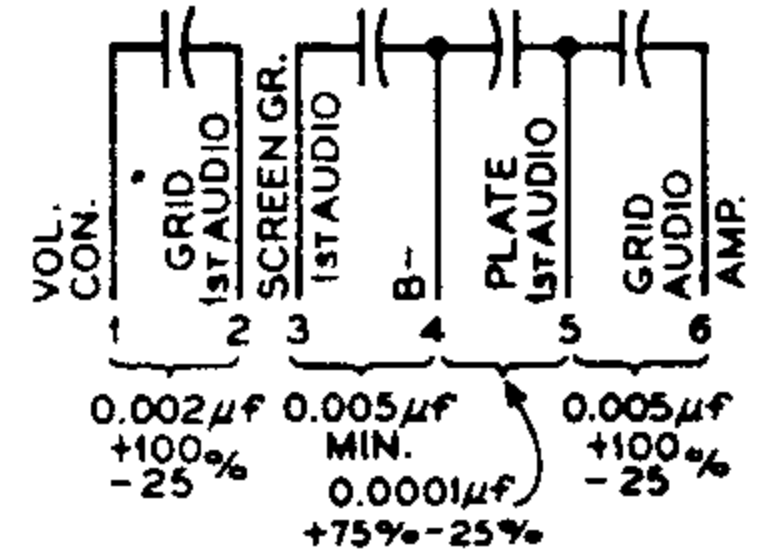
Cat. No. 34C3

List, \$.75



Cat. No. 34C4

List, \$.90

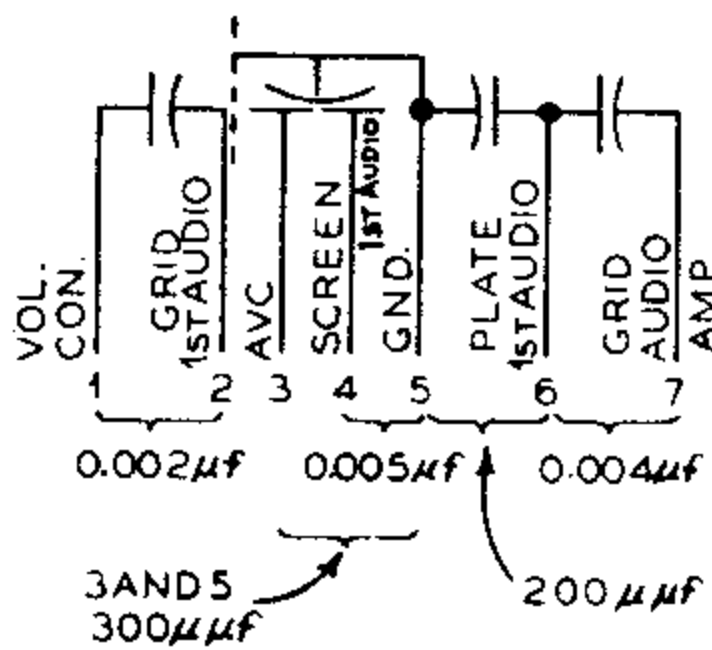


Cat. No. 34C5

List, \$.75

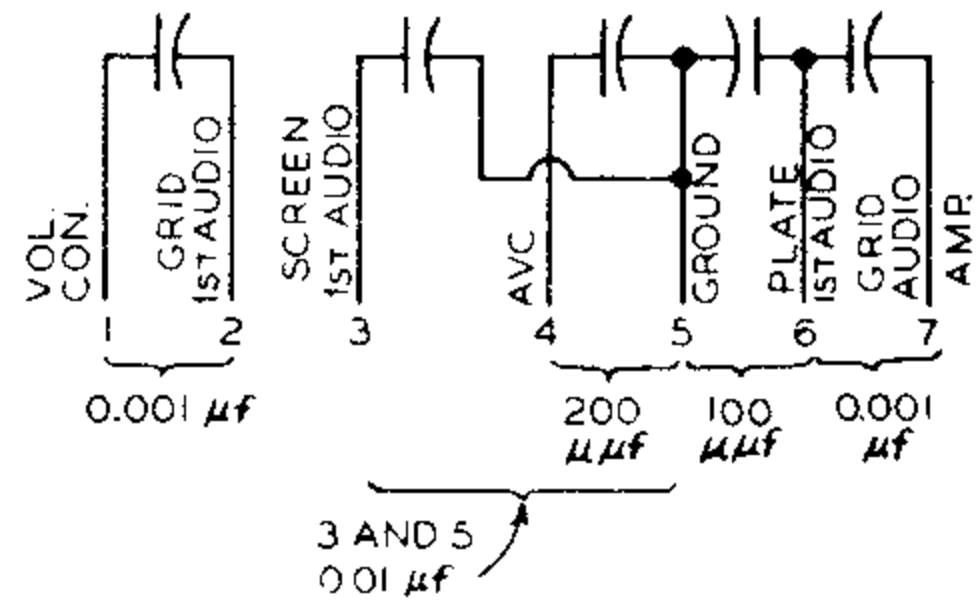
SPECIAL BULPLATE® MULTIPLE CAPACITORS

Shown in This Manual, but Not Listed as Stock Items in Sprague Catalog C-613



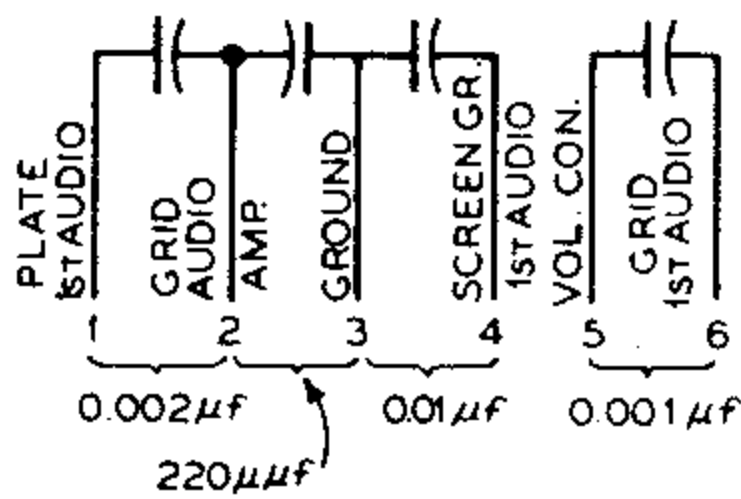
Cat. No. 34C2

List, \$.90



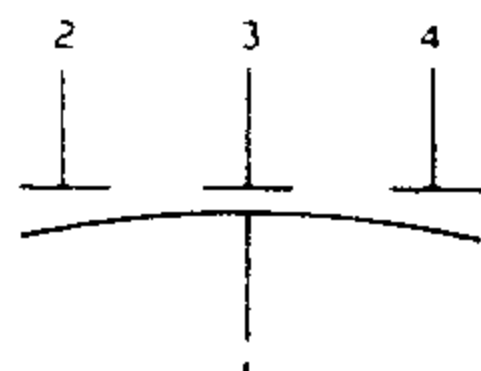
Cat. No. 34C8

List, \$.90



Cat. No. 34C1

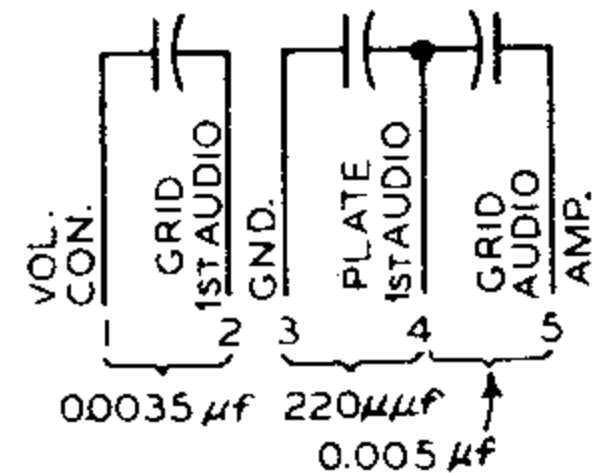
List, \$.75



1 AND 2 = 0.0047μf ±30%
1 AND 3 = 0.0047μf ±30%
1 AND 4 = 0.0022μf ±30%

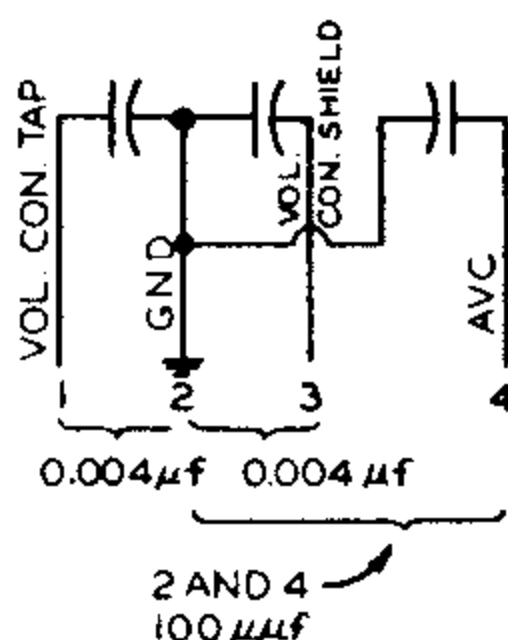
Cat. No. 34C17

List, \$.65



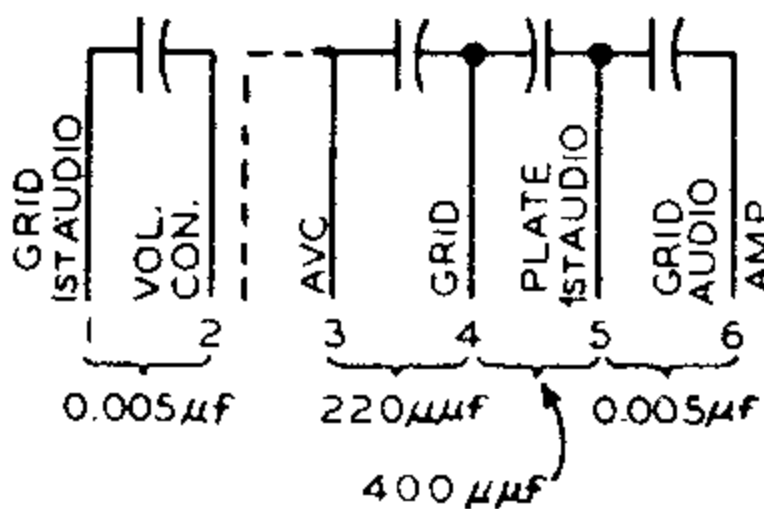
Cat. No. 34C18

List, \$.75



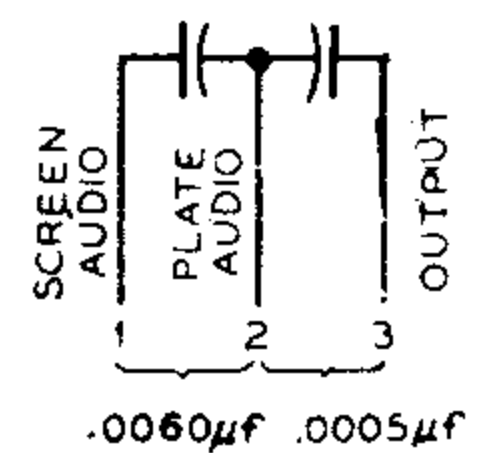
Cat. No. 34C19

List, \$.75



Cat. No. 34C36 A

List, \$.85



Cat. No. 38C16

List, \$.75

A

SPRAGUE

SERVICE

TECHNICIAN'S

AID

FOR

PLACE
STAMP
HERE