



# VIDEO CASSETTE RECORDER

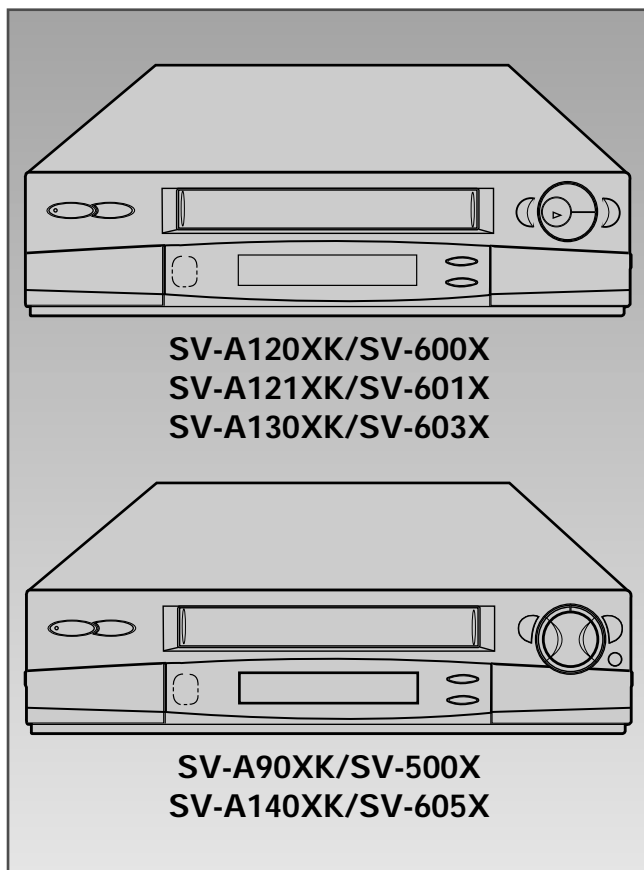
SV-A90XK/SV-500X  
SV-A120XK/SV-600X  
SV-A121XK/SV-601X  
SV-A130XK/SV-603X  
SV-A140XK/SV-605X



# *SERVICE* Manual

For mechanical disassembly and adjustment, refer to the "Mechanical Manual"  
(DX7-R/RC, DX8-R/RC → AC68-20316A).

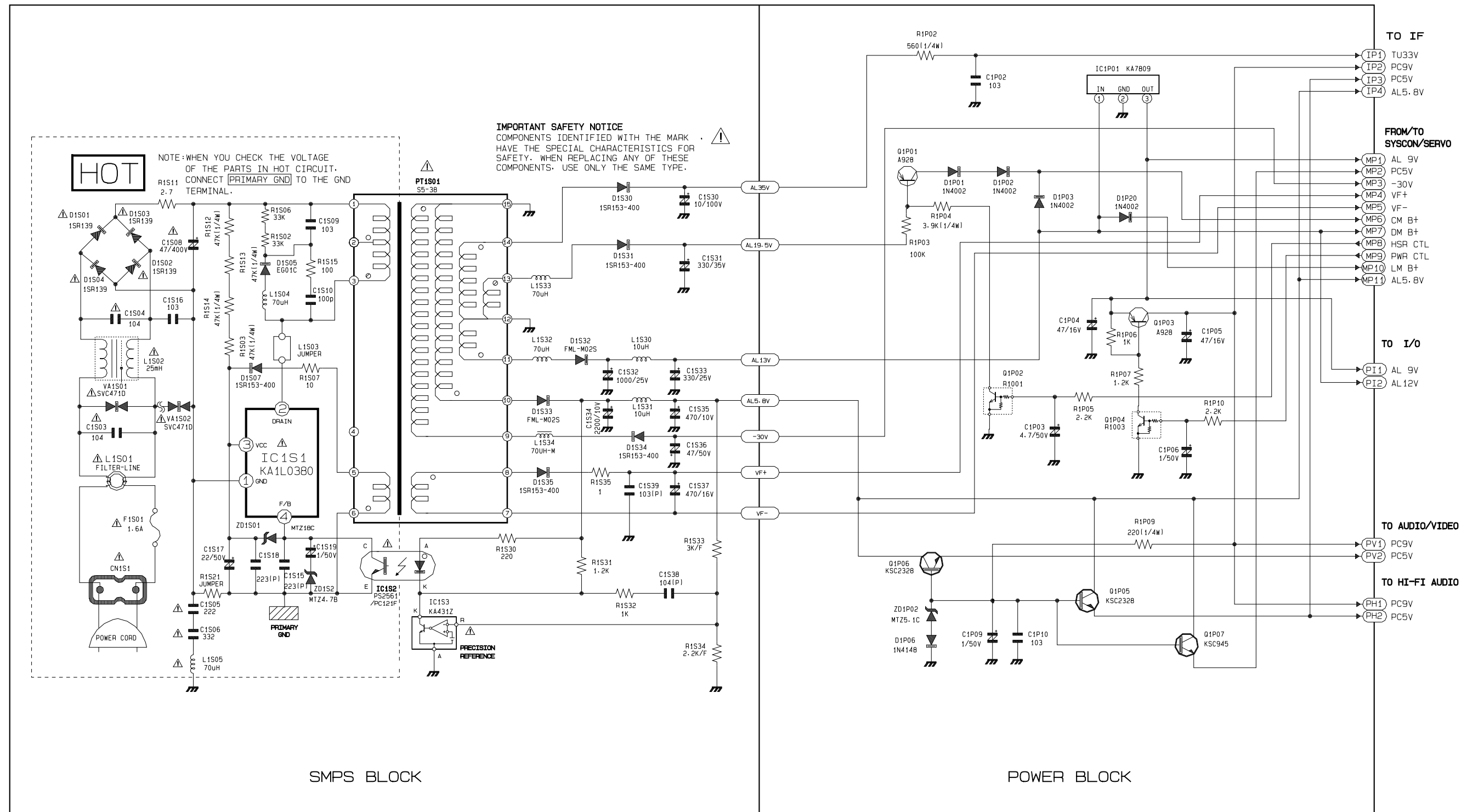
## VIDEO CASSETTE RECORDER



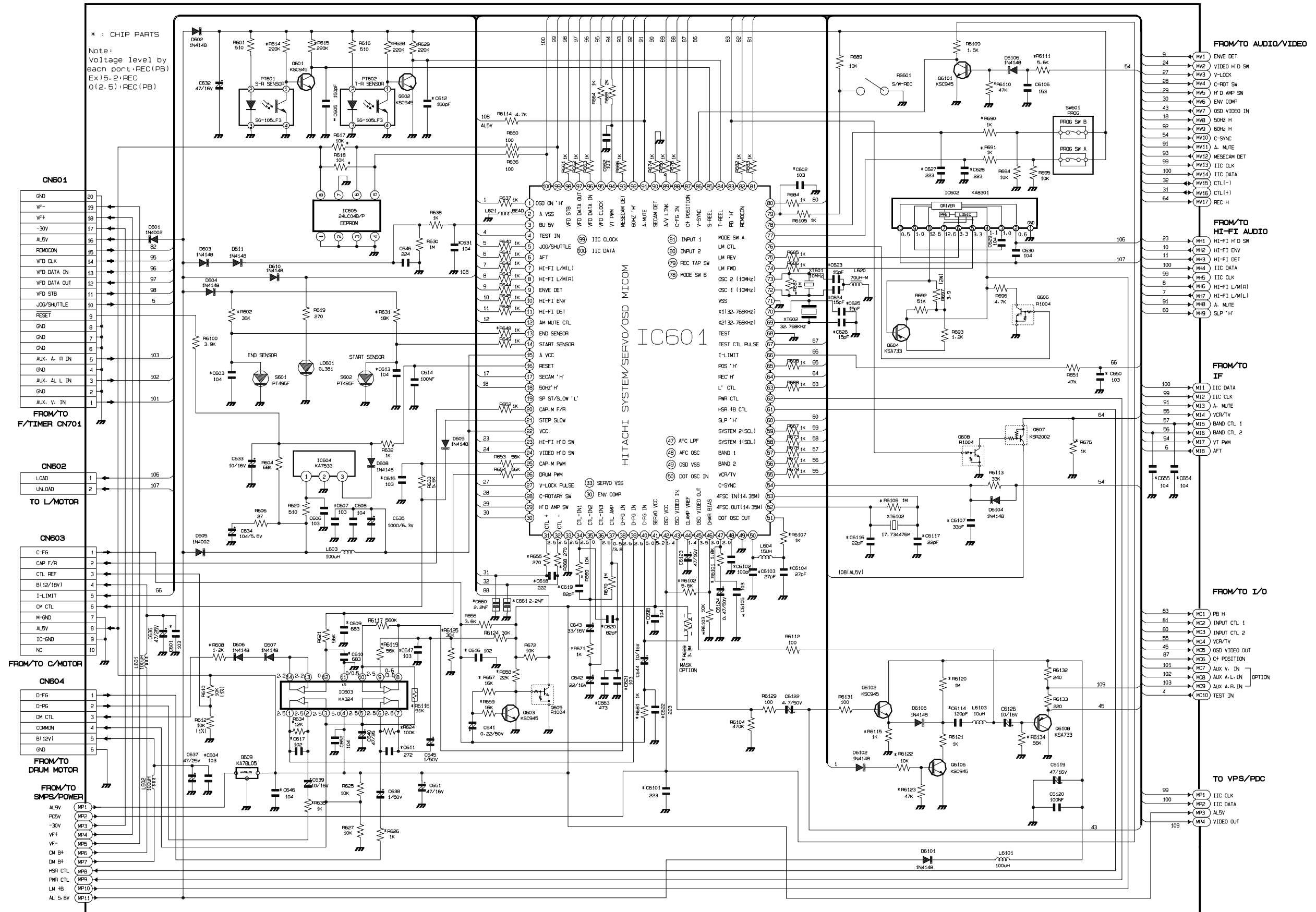
## CONTENTS

1. Precautions
2. Reference Information
3. Product Specifications and Comparison Chart
4. Disassembly and Reassembly
5. Alignment and Adjustment
6. Exploded View and Parts List
7. Electrical Parts List
8. Block Diagrams
9. PCB Diagrams
10. Wiring Diagram
11. Schematic Diagrams

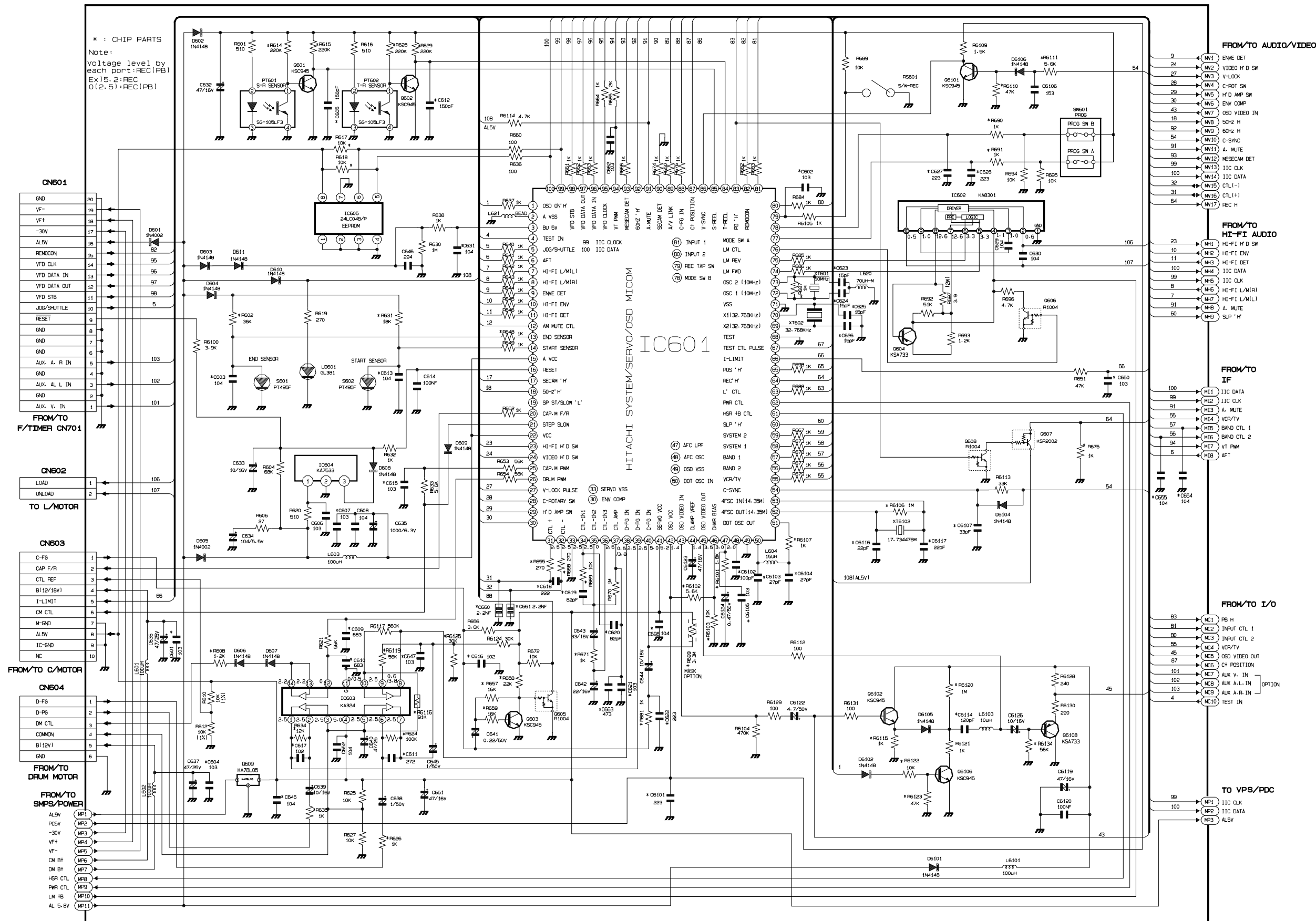
11-1 S.M.P.S./POWER



### 11-2 System Control/Servo (SV-A120XK/A130XK/SV-600X/603X)



### 11-3 System Control/Servo (SV-A90XK/A121XK/A140XK/SV-500X/601X/605X)

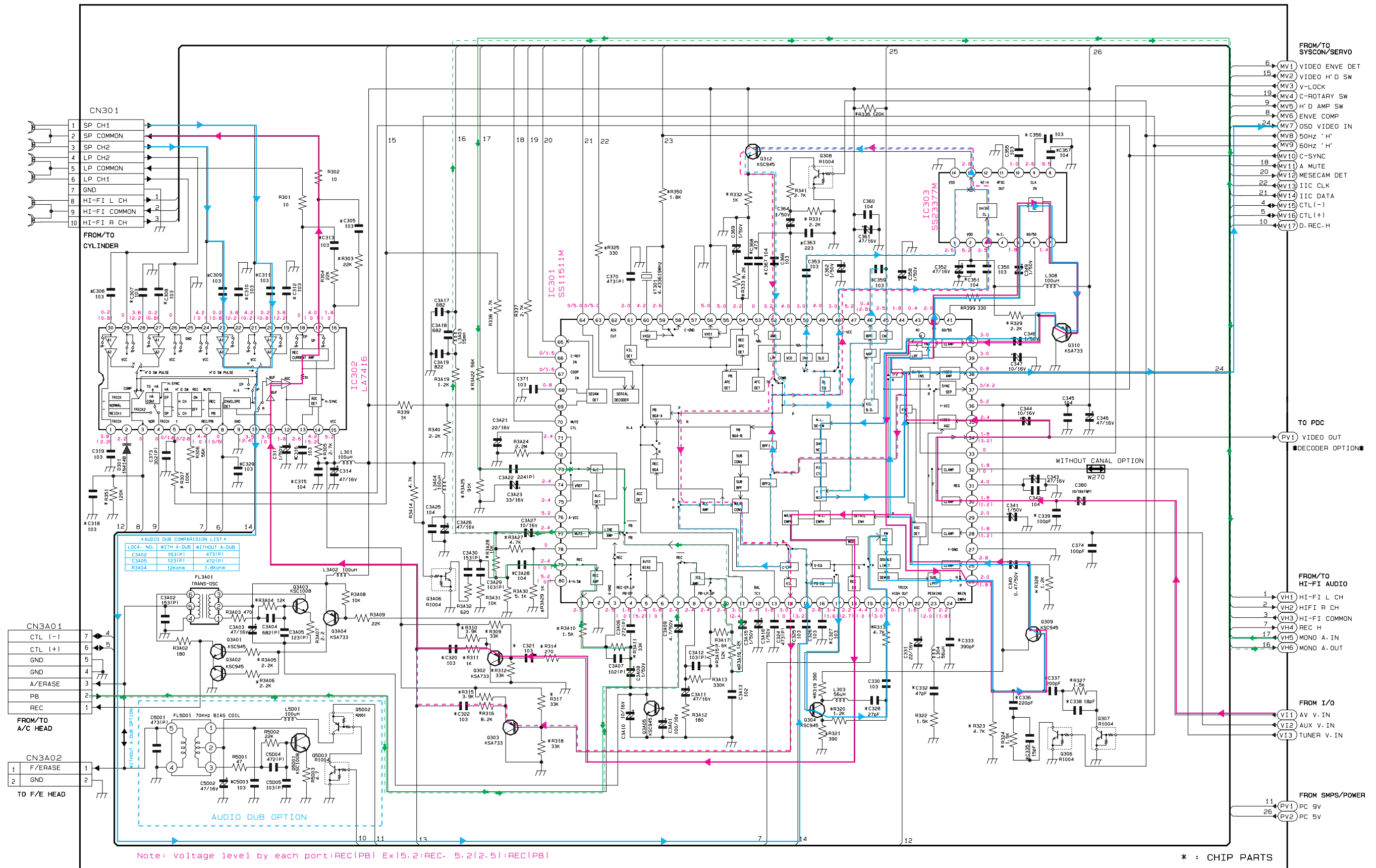


### 11-4 Audio/Video

— REC Y PROCESS  
- - - REC C PROCESS

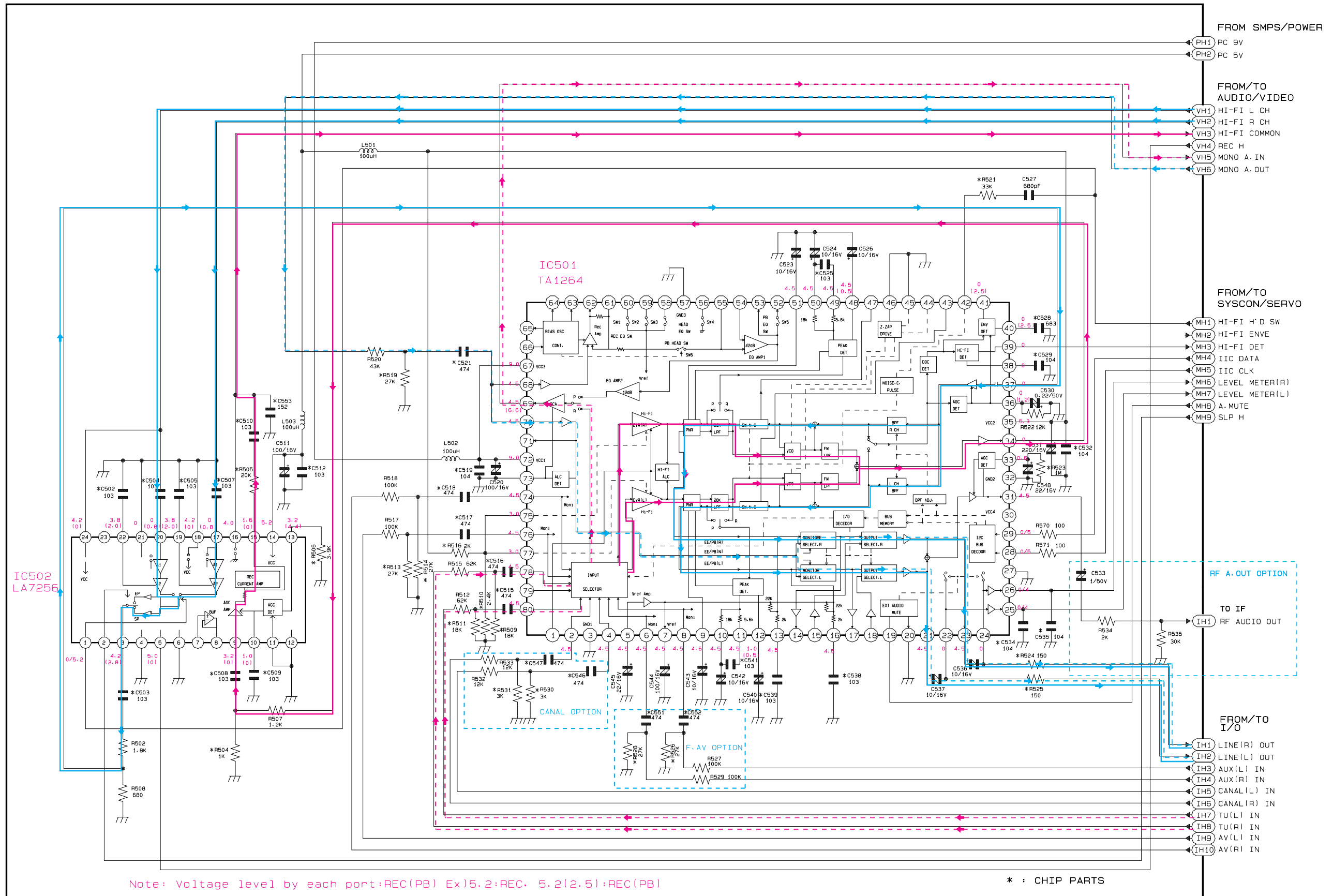
— PB Y PROCESS  
- - - PB C PROCESS

— REC LINEAR AUDIO  
- - - PB LINEAR AUDIO

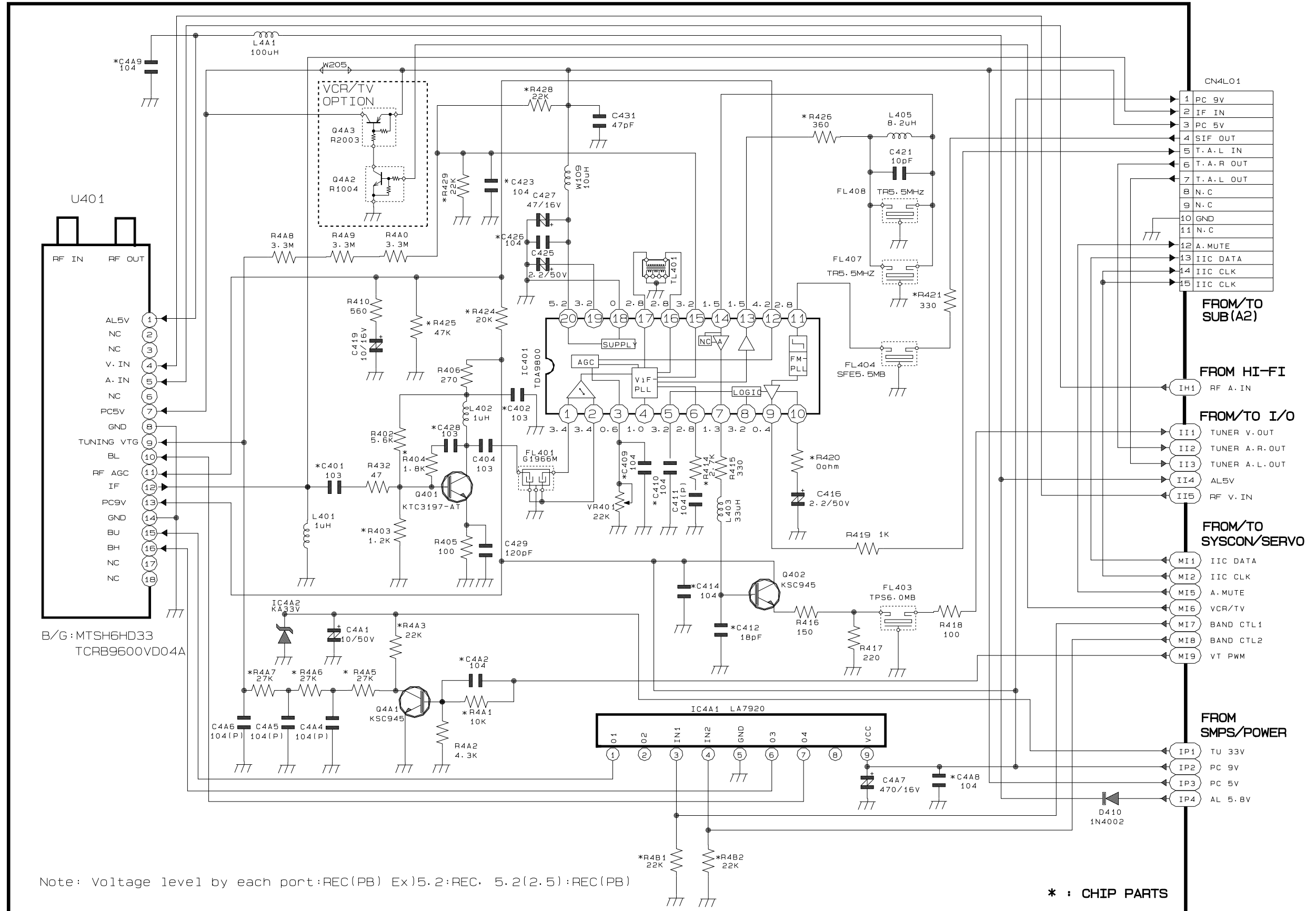


11-5 Hi-Fi Audio

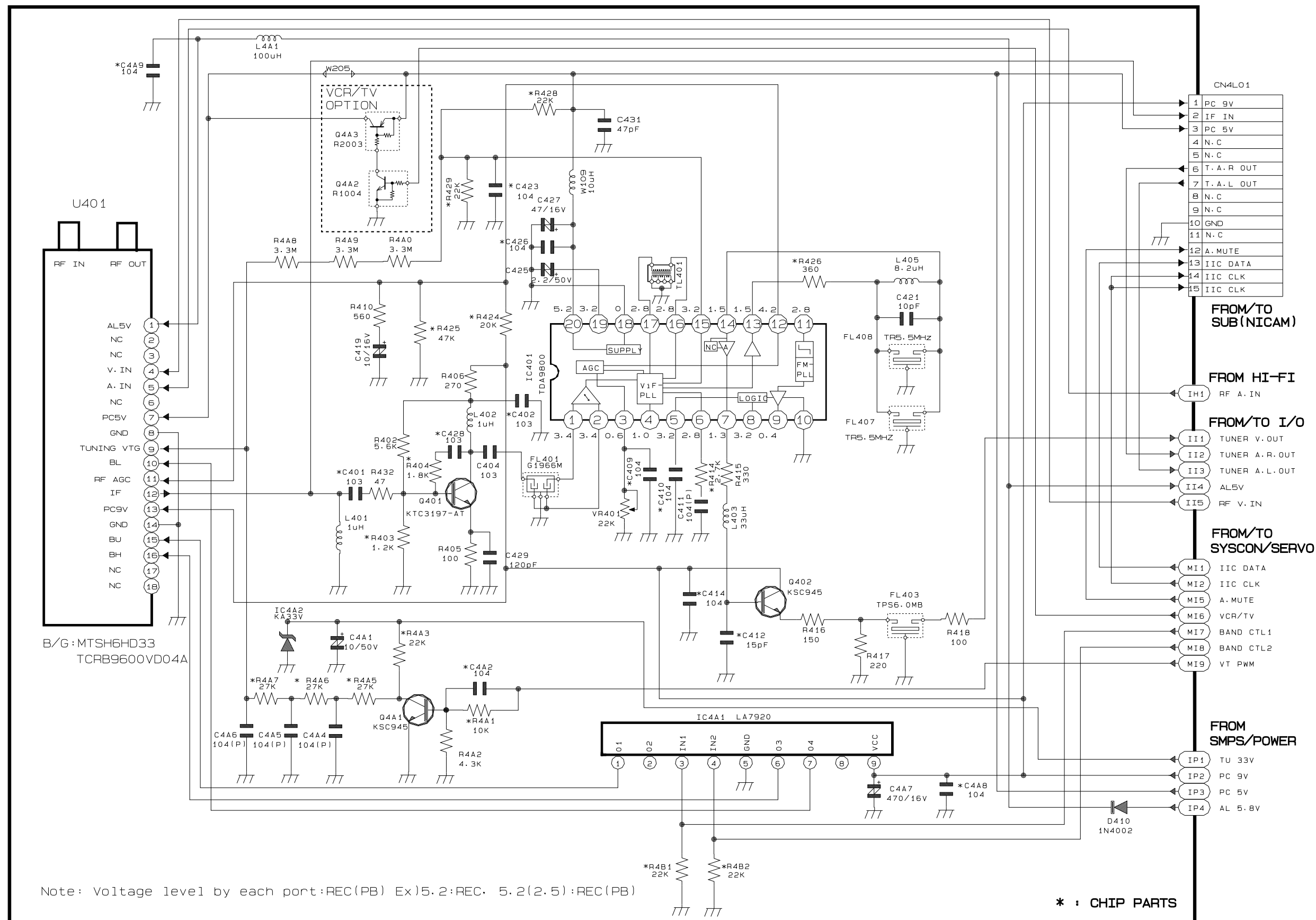
— REC HI-FI AUDIO      — PB HI-FI AUDIO  
 - - - REC LINEAR AUDIO      - - - PB LINEAR AUDIO



11-6 IF (A2)

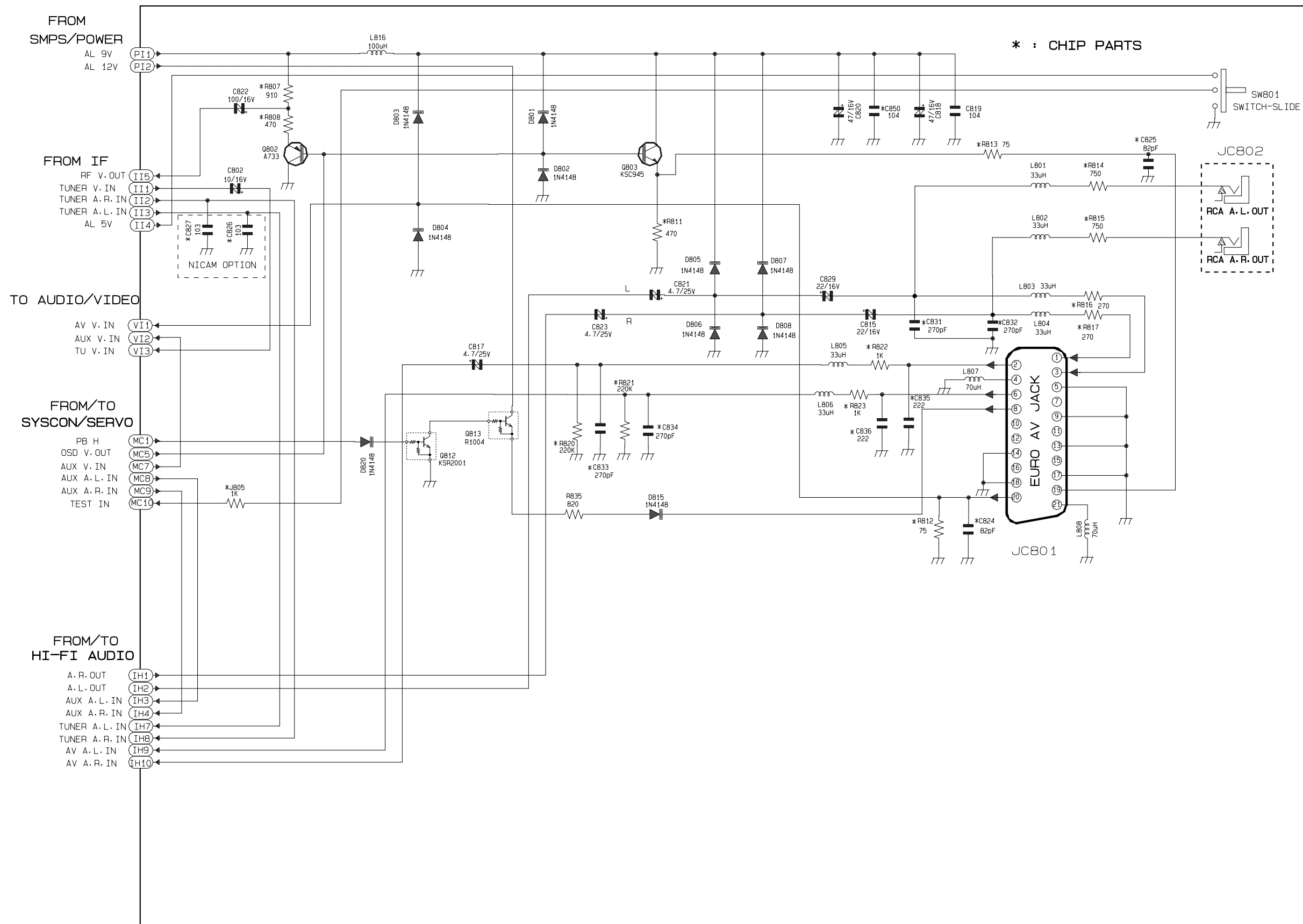


11-7 IF (NICAM)



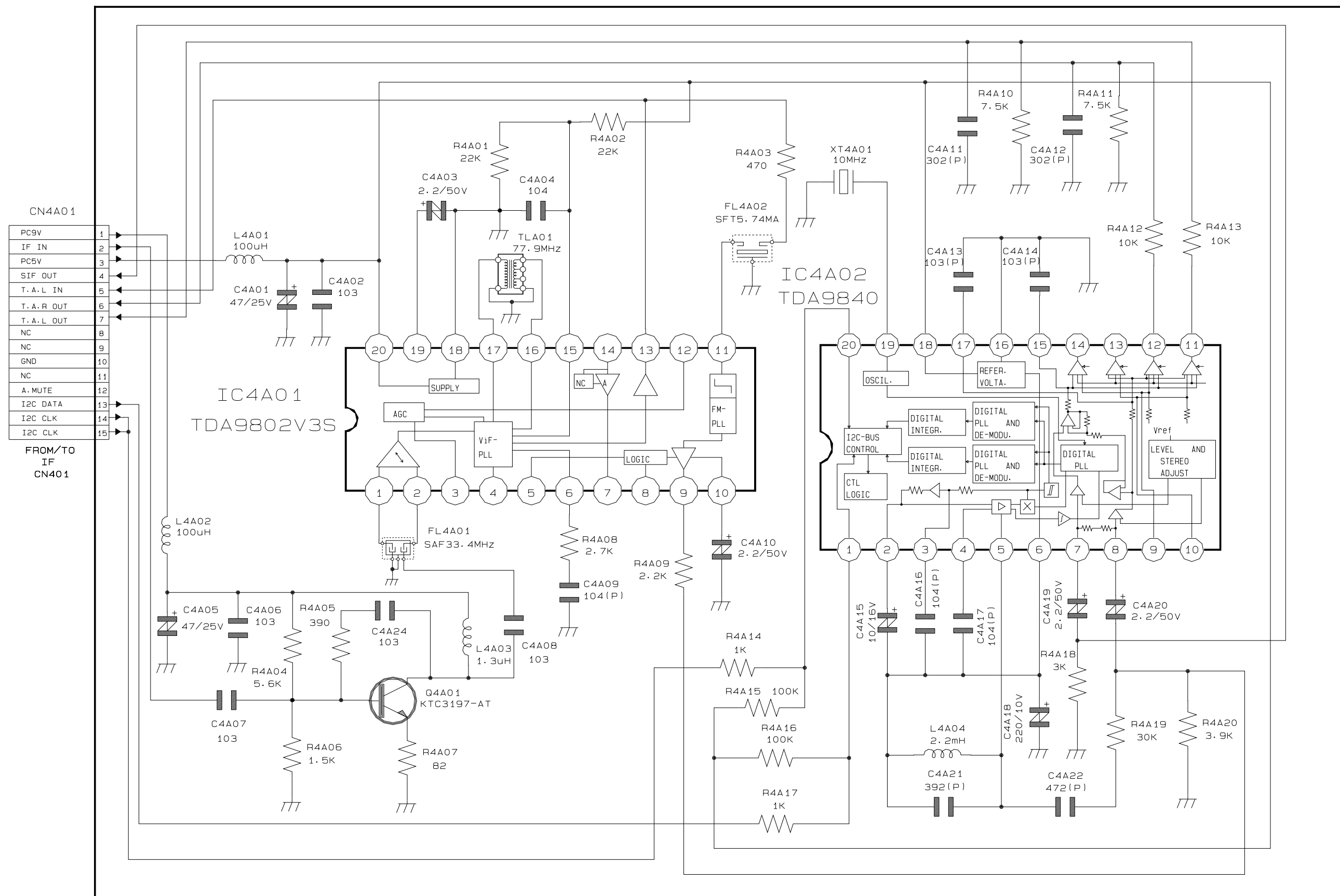


### 11-8 I/O (1 SCART)

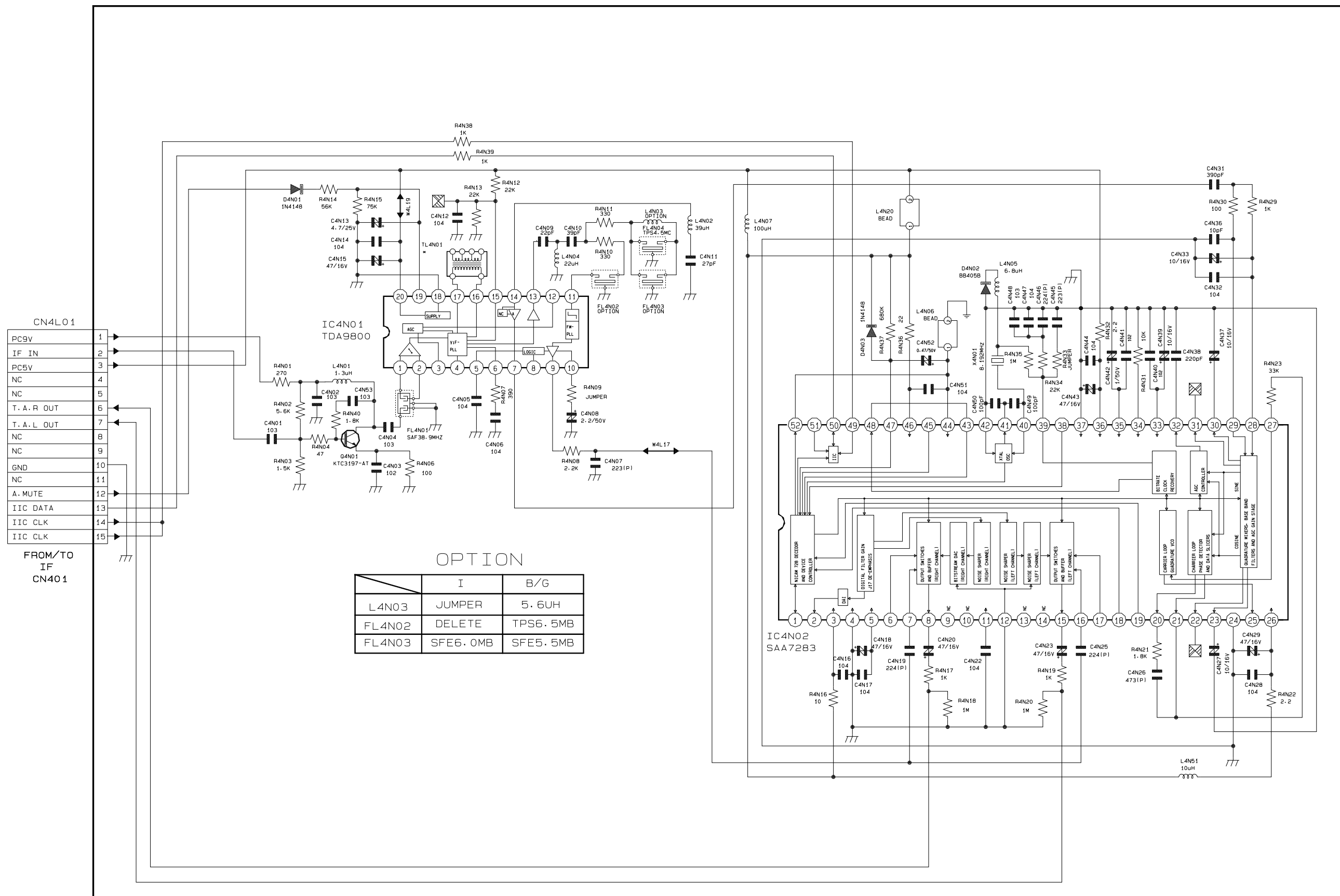




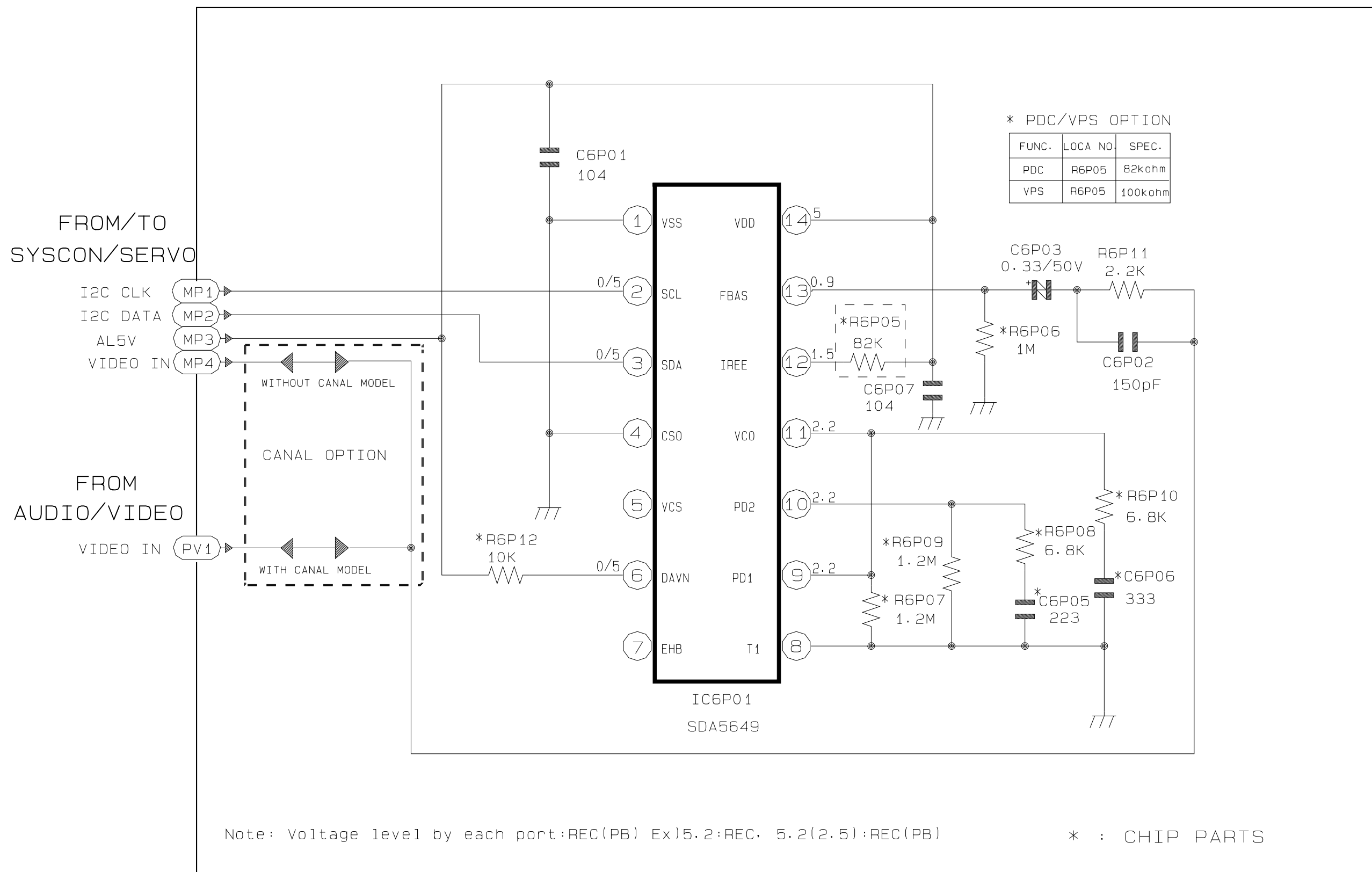
11-10 Sub (A2)



11-11 Sub (NICAM)

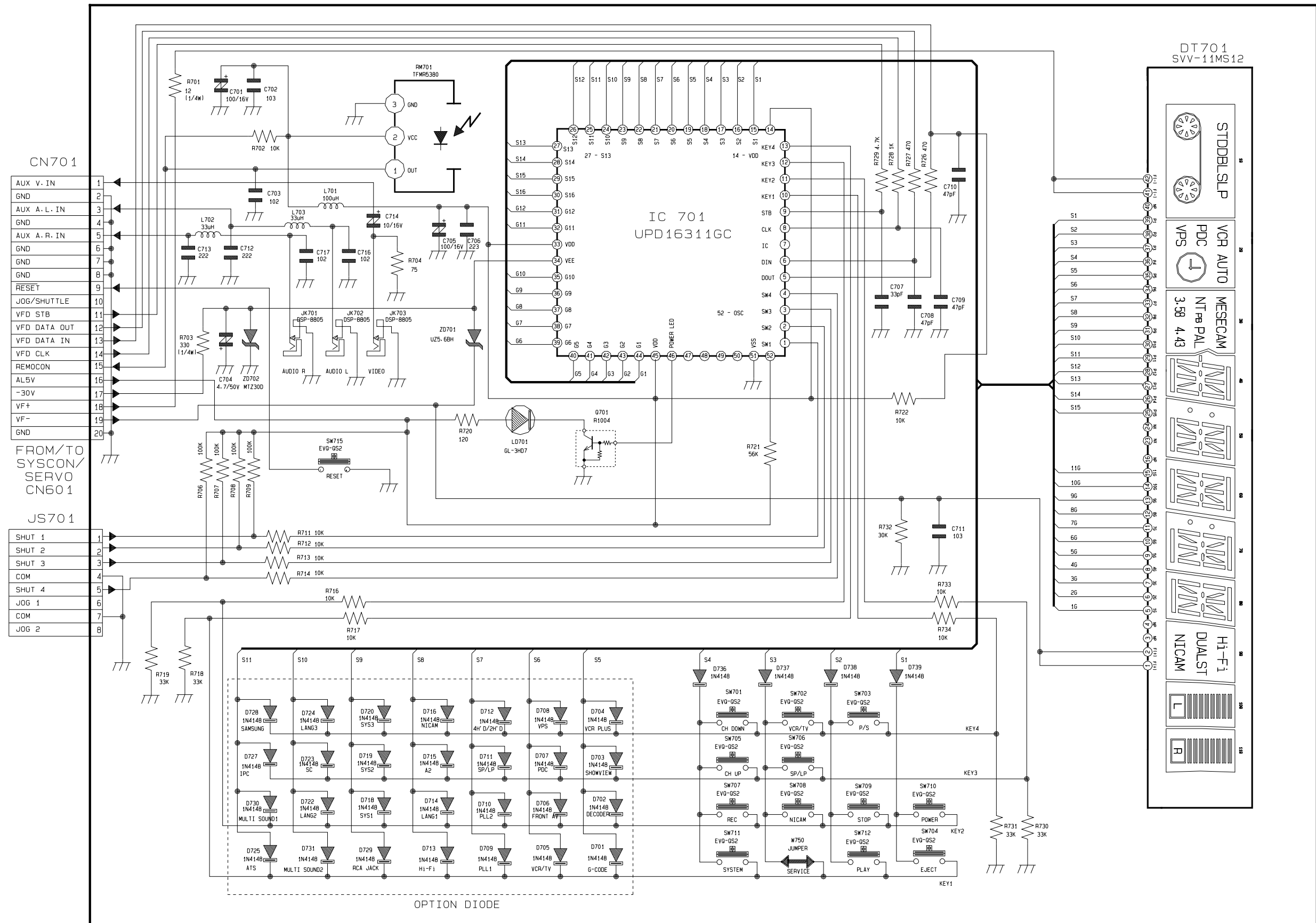


11-12 VPS/PDC





### 11-14 Function-Timer (SV-A90XK/A140XK/SV-500X/605X)



11-15 Remote-Control (SV-A90XK/A120XK/A121XK/A130XK/SV-500X/600X/601X/603X) 11-16 Remote-Control (SV-A140XK/SV-605X)

