

TV TUNER

KTC-V500E/N/P

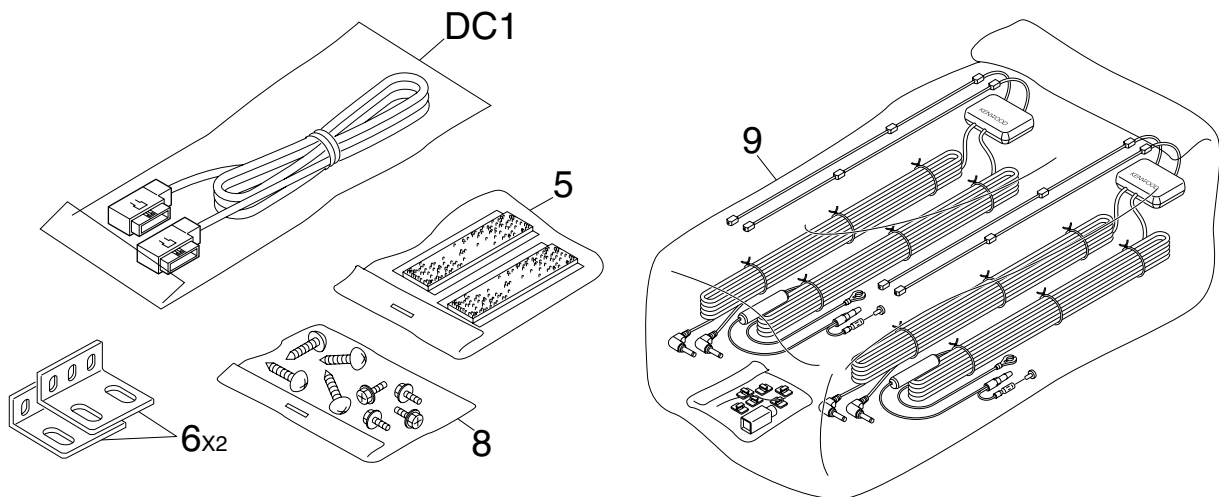
SERVICE MANUAL

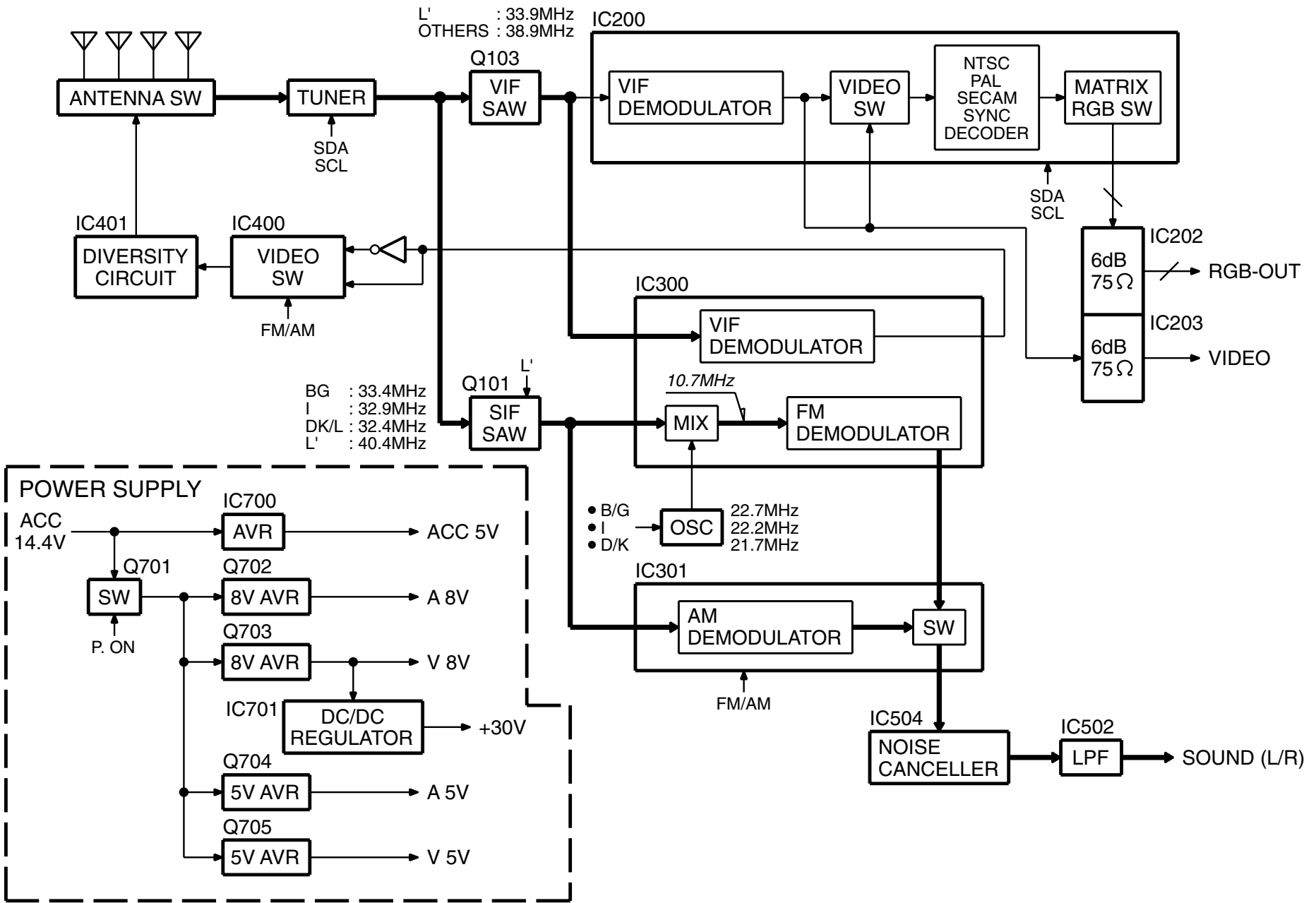
KENWOOD

© 2002-1 PRINTED IN KOREA
B51-7884-00 (K) 3397



The following reference numbers with accessory parts are the same reference numbers used on EXPLODED VIEW and PARTS LIST.





KTC-V500E/N/P

BLOCK DIAGRAM

COMPONENT DESCRIPTION

ELECTRIC UNIT (X25-928x-xx)

REF.	No.	FUNCTION	OPERATION
IC200		TV VIF/CHROMA	Detects VIF, and processes chroma.
IC202		VIDEO AMPLIFIER	Amplifies G and B signals up to 6dB at 75 ohms.
IC203		VIDEO AMPLIFIER	Amplifies SYNC and R signals up to 6dB at 75 ohms.
IC300		TV VIF/SIF	Detects VIF and SIF (Euro model's one is for diversity).
IC301		AM DETECTION	Detects SIF (AM).
IC400		VIDEO SW	Switches diversity video signal.
IC401		TV DIVERSITY	Switches TV antenna.
IC502		OPERATION AMPLIFIER	LPF & amplifier.
IC504		NOISE CANCELER	Cancels noise.
IC700		AVR	5V local regulator.
IC701		DC/DC REGULATOR	Switches DC/DC voltage.
IC702		AVR	8V local regulator.
IC800		SYSTEM u-COM	Controls functions.
IC801		RESET IC	Resets system u-com.
Q100		IF SW	Switches SAW filter input IF.
Q101		SIF AMPLIFIER	Amplifies SIF.
Q102		IF SW	Switches SAW filter input IF.
Q103		VIF AMPLIFIER	Amplifies VIF.
Q201,202		BUFFER	Creates H-sync pulse.
Q203,204		BUFFER	Buffers video signal.
Q205-207		RGB MUTE	Mutes RGB signals.
Q208-210		RGB BUFFER	Buffers RGB signals.
Q211,212		VIDEO BUFFER	Buffers video signal.
Q300-302		CLOCK SW	Switches clock.
Q303,304		VIDEO BUFFER	Buffers video signal.
Q305		SYNC PIF SW	Switches sync PIF frequency.
Q306,307		S-METER DC AMPLIFIER	Amplifies s-meter DC.
Q308		VIDEO BUFFER	Buffers video signal.
Q309		VIDEO MUTE	Mutes TV video signal.
Q400		VIDEO MODE SW	Switches diversity video mode.
Q401		ADJUST MODE SW	Switches diversity adjustment mode.
Q500,501		AUDIO MUTE	Mutes audio signal.
Q700		Q701 DRIVER	Drives Q701.
Q701		POWER SW	Switches back-up power supply.
Q702		8V AVR	Supplies power to TV front-end and IF circuit.
Q703		8V AVR	Supplies power to IC200.
Q704		5V AVR	Supplies power to TV front-end and IC301.
Q705		5V AVR	Supplies power to video circuit.
Q706		B.U. DETECTION	Detects back-up.
Q800		PANEL/BASS RESET SW	Controls reset for panel and bass.

KTC-V500E/N/P

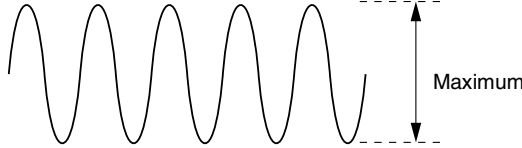
MICROCOMPUTER'S TERMINAL DESCRIPTION

(X25-) IC800 : SYSTEM u-COM

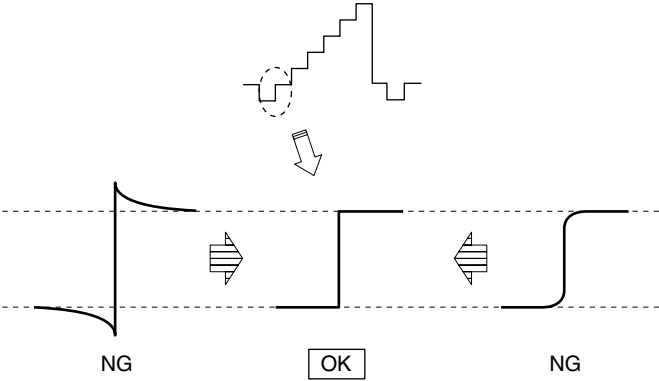
PORT No.	PORT NAME	I/O	FUNCTION	OPERATING CONDITION
1	DIV	O	Diversity adjustment mode (Test mode).	"H" : Adjustment mode on (Diversity forced off).
2-4	-	-	-	-
5	DK	O	IF switch (When state of PAL-D).	"H" : DK area.
6	IF	O	IF switch (Group 3 when state of PAL-I).	"H" : I area.
7	BG	O	IF switch (Group 1/2 when state of PAL-B/G).	"H" : BG area.
8	-	-	-	-
9	VDD	-	5V power supply.	-
10	X2	-	Main system clock oscillation (12.28MHz).	-
11	X1	-	Main system clock oscillation (12.28MHz).	-
12	VSS	-	GND.	-
13,14	-	-	-	-
15	RESET	-	System reset.	"L" : Reset.
16	SC-CON	I	Communication between panel and box.	-
17	MC-REQ	I	Communication between panel and box.	-
18	B.U.	I	Back-up detection.	"H" : B.U. OFF. "L" : B.U. ON.
19	P.ON	O	Power-on.	"H" : P.ON OFF. "L" : P.ON ON.
20,21	-	-	-	-
22	REF.CON	O	A/D converter reference voltage.	ADC comparator power supply switch.
23	AVDD	-	A/D converter analogue power supply.	-
24	AVREF 0	-	A/D converter reference voltage.	-
25	SD	I	SD.	-
26	S-METER	I	S-meter.	-
27-32	-	-	-	-
33	AVSS	-	GND.	-
34,35	-	-	-	-
36	AVREF 1	-	Analogue reference voltage.	-
37	FLASH 1	O	Flash 1.	-
38	FLASH 2	O	Flash 2.	-
39	FLASH 3	O	Flash 3.	-
40-43	-	-	-	-
44	SC REQ	O	Communication request in panel.	-
45	MC DATA	I	Communication data in panel.	-
46	SC DATA	O	Communication data in panel.	-
47	MC CLK	I	Communication clock in panel.	-
48	-	-	-	-
49	L2	O	Video reception switch (Only in France).	"L" : VHF receiving. "H" : 2,3,4CH receiving.
50	AM/FM	O	AM/FM audio reception switch.	"L" : AM (Only in France). "H" : FM (Without France).
51,52	-	-	-	-
53	TYPE 1	I	Destination switch.	"L" : For in Europe. "H" : For in Japan.
54-58	-	-	-	-
59	PLL-DATA	O	PLL data.	-
60	PLL-CLK	O	PLL clock.	-
61	PLL-ENB	O	PLL enable.	-
62	TV/V MUTE	O	TV tuner mute / Video mute.	"H" : Mute on. "L" : Mute off.
63-71	-	-	-	-
72	VSS	-	GND.	-
73-78	-	-	-	-
79	SP MUTE	O	Speaker audio line mute.	"L" : Mute on. "H" : Mute off.
80	-	-	-	-
81,82	VDD	-	Power supply.	-
83-86	-	-	-	-
87	TIME	O	Waiting configuration for communication beginning with machro IC.	"L" : No waiting. "H" : 3 seconds waiting.
88-93	-	-	-	-
94	TEST	-	VPP voltage for flash memory writing.	"L" : Usual operation. "H" : Flash memory writing .
95-98	-	-	-	-
99	SCL	O	IC2 clock.	-
100	SDA	I/O	IC2 data.	-

ADJUSTMENT

X25 Circuit Adjustment Specification (K : For North American Markets)

Item	Adjustment method / Adjustment value	Conditions
1. Video detection coil adjustment L303	<ol style="list-style-type: none"> Turn VR301 [RF-AGC] fully to the right. Apply DC2.0V to TP [IF AGC] (IC300 pin36). Feed $f_o=45.75\text{MHz}$, $\text{Mod}=1\text{kHz}$, $\text{AM}60\%$, $\text{Level}=100\text{dB}\mu$ into TP [IF] (A100 pin8). Observe the TP [VIDEO] (IC300 pin8) waveform on an oscilloscope and adjust L303 for maximum level. 	<ul style="list-style-type: none"> No ANT signal If the waveform is clipped, slightly increase the DC voltage. AC range
2. Audio detection coil adjustment L300	<ol style="list-style-type: none"> Turn VR301 [RF-AGC] fully to the right. Feed $f_o=41.25\text{MHz}$, No Modulation, $\text{Level}=94\text{dB}\mu$ into TP [IF] (A100 pin8). Connect a voltmeter to TP [SIF] (both ends of R314) and adjust L300 for $0\text{V} \pm 0.01\text{V}$. 	<ul style="list-style-type: none"> No ANT signal
3. S-METER adjustment VR300 4. RF AGC adjustment VR301	<ol style="list-style-type: none"> Turn VR301 [RF-AGC] fully to the right. Feed a $30\text{dB}\mu$ 11CH color bar RF signal into the ANT input terminal. Audio (P/S ratio -6dB) no modulation. Connect a voltmeter to CN300 and adjust VR300 [SMET] so it reads $3.5\text{V} \pm 0.05\text{V}$. Set the RF signal to $70\text{dB}\mu$ and adjust VR301 [RF-AGC] so that the voltmeter connected to CN300 reads $4.5\text{V} \pm 0.05\text{V}$. 	<ul style="list-style-type: none"> Postpone adjusting VR301 to prevent AGC having effect at $30\text{dB}\mu$. Ensure the RF AGC adjustment is performed after the S-METER adjustment.
5. Diversity free run frequency adjustment VR400	<ol style="list-style-type: none"> Connect a frequency counter to CN400. Using the remote control unit TV/NAVI button, switch to adjustment mode. Adjust VR400 [15kHz] so as to obtain $15734 \pm 10\text{Hz}$. 	<ul style="list-style-type: none"> No ANT signal Test mode

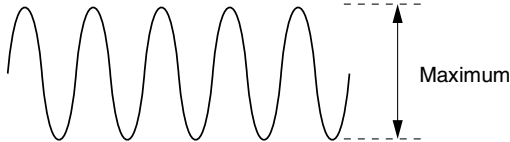
X25 Circuit Adjustment Specification (E : For European Markets)

Item	Adjustment method / Adjustment value	Conditions
1. Diversity video detection coil adjustment L303	<ol style="list-style-type: none"> Input RF signal $70\text{dB}\mu$ 9CH stair step into the ANT input terminal. Observe the TP [VIDEO] (IC300 pin8) waveform on an oscilloscope and adjust L303 so that the edges of sync chip and pedestal are horizontal. 	<ul style="list-style-type: none"> PAL B/G Turn color off.
2. Audio detection coil adjustment L300	<ol style="list-style-type: none"> Input RF signal $70\text{dB}\mu$ 9CH bar into the ANT input terminal. Connect a voltmeter to TP [SIF] (both ends of R314) and adjust L300 for $0\text{V} \pm 0.01\text{V}$. 	<ul style="list-style-type: none"> PAL B/G P/S ratio 10dB
3. Diversity free run frequency adjustment VR400	<ol style="list-style-type: none"> Connect a frequency counter to CN400. Using the remote control unit TV/NAVI button, switch to adjustment mode. Adjust VR400 [15kHz] so as to obtain $15625 \pm 10\text{Hz}$. 	<ul style="list-style-type: none"> No ANT signal Test mode

KTC-V500E/N/P

ADJUSTMENT

X25 Circuit Adjustment Specification (M : For the Other Markets)

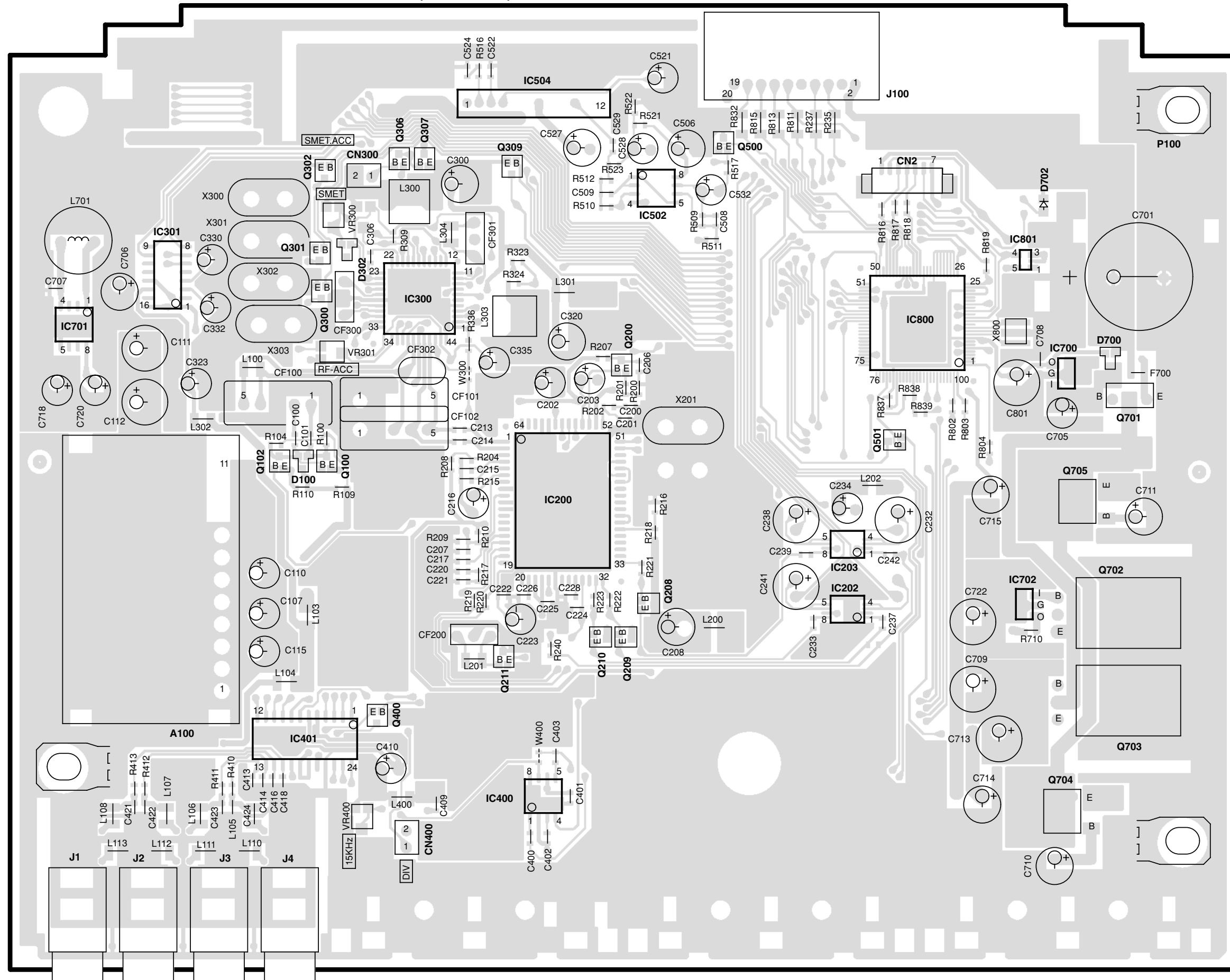
Item	Adjustment method/Adjustment value	Conditions
1. Video detection coil adjustment L303	<ol style="list-style-type: none"> 1. Turn VR301 [RF-AGC] fully to the right. 2. Apply DC2.0V to TP [IF AGC] (IC300 pin36). 3. Feed fo=38.0MHz, Mod=1kHz, AM60%, Level=100dBμ into TP [IF] (A100 pin8). 4. Observe the TP [VIDEO] (IC300 pin8) waveform on an oscilloscope and adjust L303 for maximum level. 	<ul style="list-style-type: none"> • No ANT signal • If the waveform is clipped, slightly increase the DC voltage. • AC range
2. Audio detection coil adjustment L300	<ol style="list-style-type: none"> 1. Turn VR301 [RF-AGC] fully to the right. 2. Feed fo=31.5MHz, No Modulation, Level=94dBμ into TP [IF] (A100 pin8). 3. Connect a voltmeter to TP [SIF] (both ends of R314) and adjust L300 for 0V \pm 0.01V. 	<ul style="list-style-type: none"> • No ANT signal
3. S-METER adjustment VR300 4. RF AGC adjustment VR301	<ol style="list-style-type: none"> 1. Turn VR301 [RF-AGC] fully to the right. 2. Feed a 30dBμ CHINA 9CH color bar RF signal into the ANT input terminal. 3. Audio (P/S ratio -6dB) no modulation. 4. Connect a voltmeter to CN300 and adjust VR300 [SMET] so it reads 3.5V \pm 0.05V. 5. Set the RF signal to 70dBμ and adjust VR301 [RF-AGC] so that the voltmeter connected to CN300 reads 4.8V \pm 0.05V. 	<ul style="list-style-type: none"> • Postpone adjusting VR301 to prevent AGC having effect at 30dBμ. • Ensure the RF AGC adjustment is performed after the S-METER adjustment.
5. Diversity free run frequency adjustment VR400	<ol style="list-style-type: none"> 1. Connect a frequency counter to CN400. 2. Using the remote control unit TV/NAVI button, switch to adjustment mode. 3. Adjust VR400 [15kHz] so as to obtain 15625 \pm 100Hz. 	<ul style="list-style-type: none"> • No ANT signal • Test mode

PC BOARD(Component side view)

SYNTHESIZER UNIT X25-928x-xx (J74-1339-12)

SYNTHESIZER UNIT (X25-928x-xx)

Ref.No.	Address
IC200	4E
IC202	5G
IC203	4G
IC300	3D
IC301	2C
IC400	6E
IC401	5D
IC502	2F
IC504	1E
IC700	3H
IC701	3B
IC702	5H
IC800	3G
IC801	2H
Q100	4D
Q102	4C
Q200	3E
Q208	5F
Q209	5E
Q210	5E
Q211	5E
Q300	3D
Q301	2D
Q302	2D
Q306	2D
Q307	2D
Q309	2E
Q400	5D
Q500	2F
Q501	4G
Q701	3I
Q702	5I
Q703	5I
Q704	6H
Q705	4H



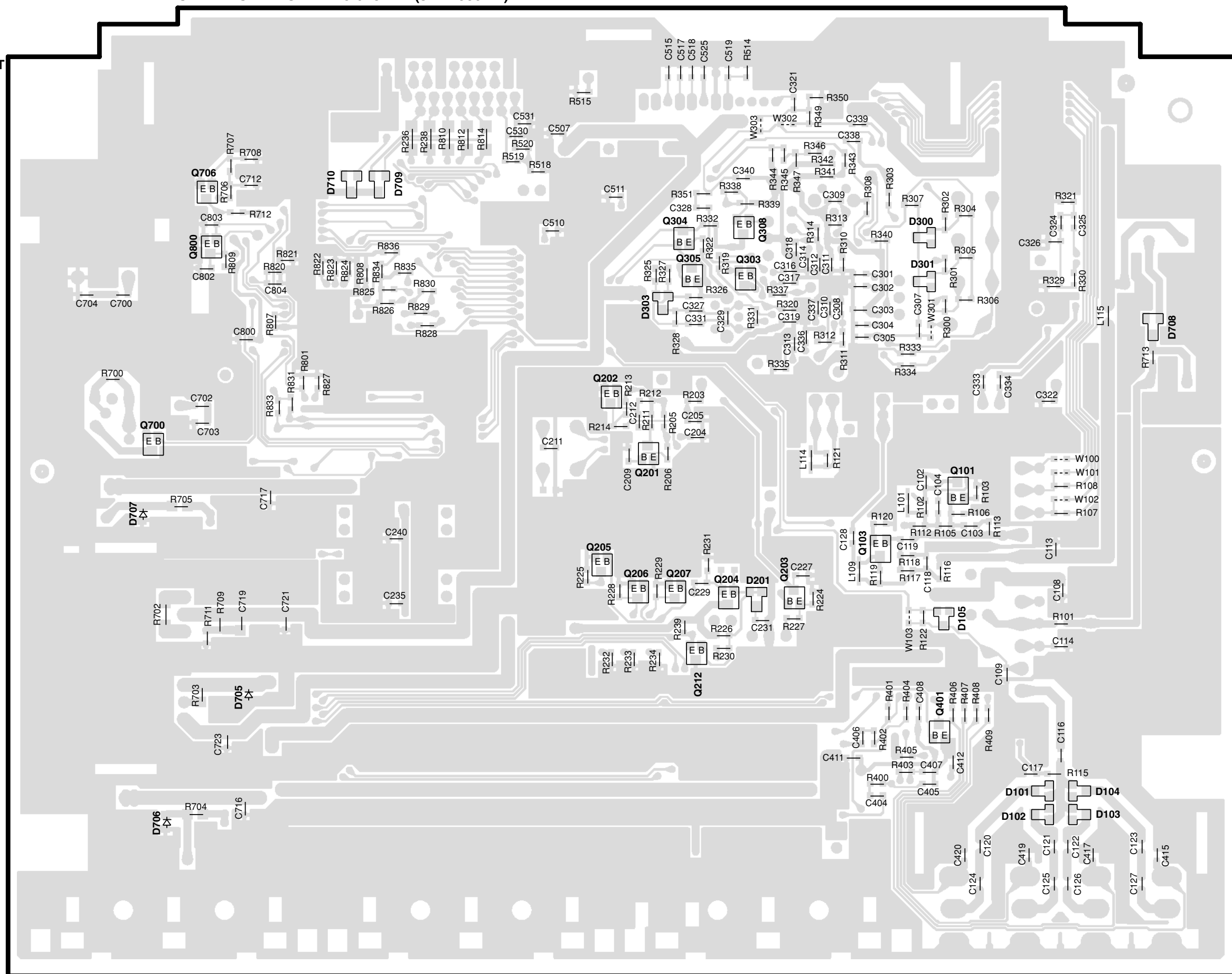
Refer to the schematic diagram for the value of resistors and capacitors.

PC BOARD(Foil side view)

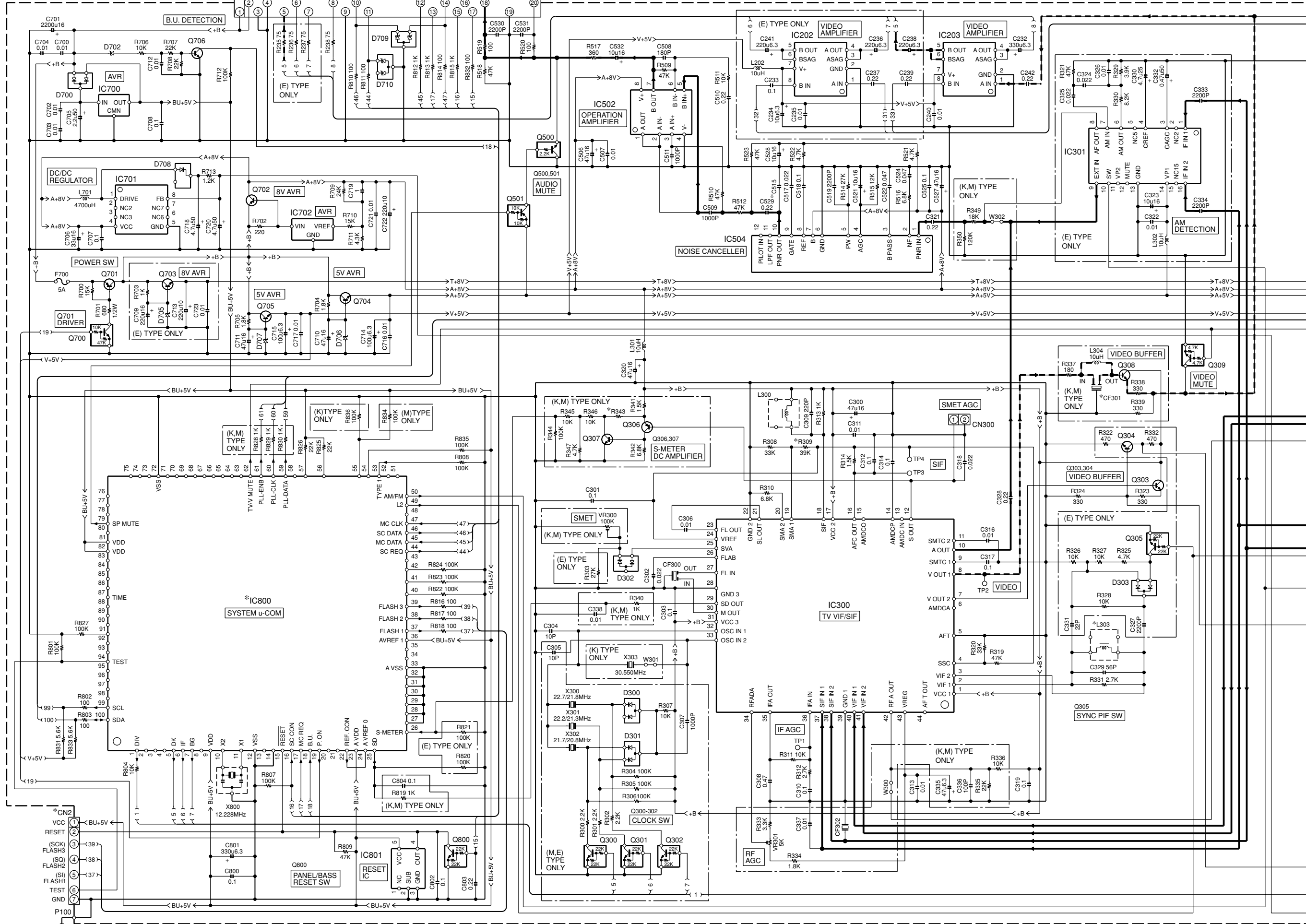
SYNTHESIZER UNIT X25-928x-xx (J74-1339-12)

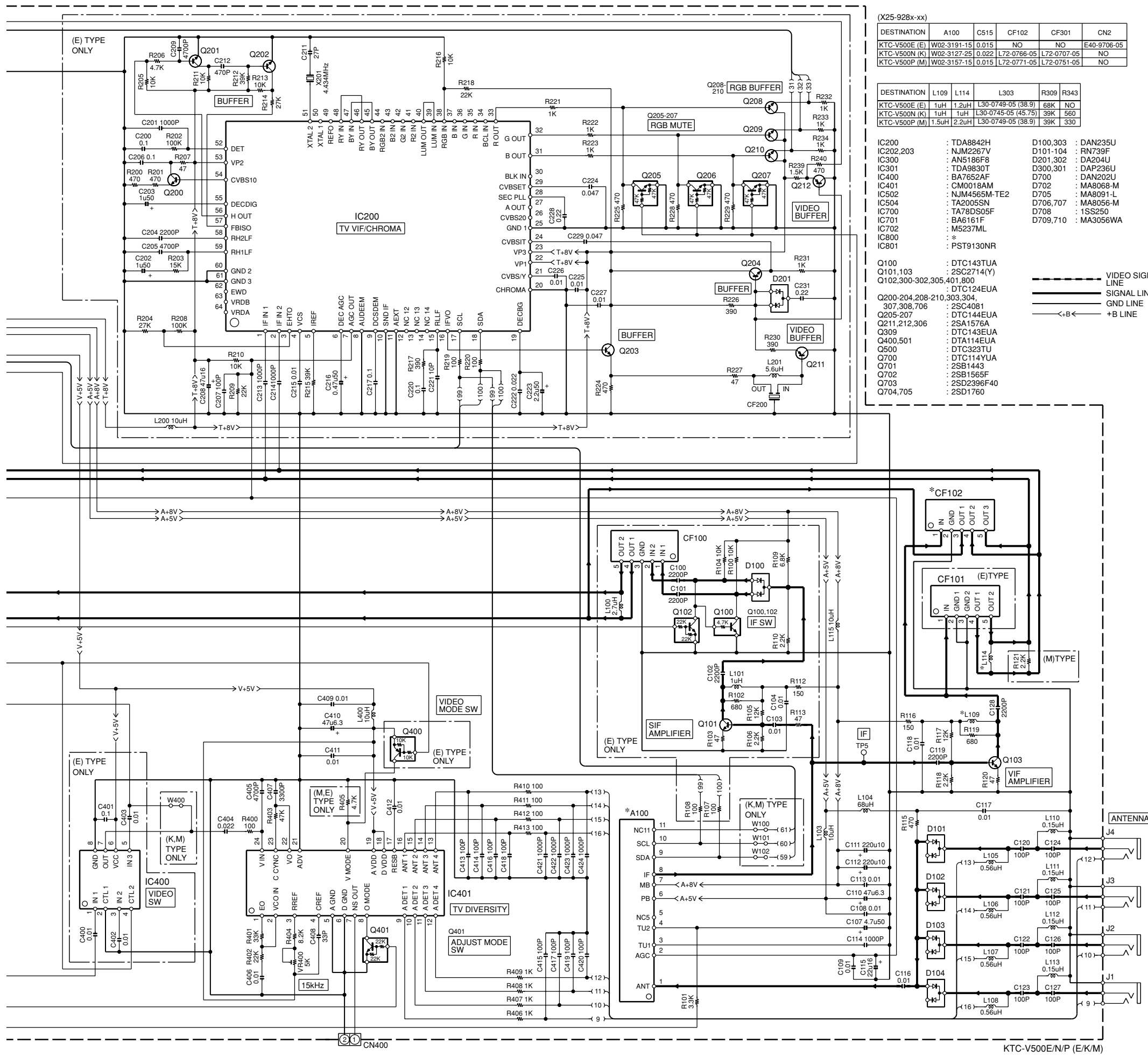
SYNTHESIZER UNIT (X25-928x-xx)

Ref.No.	Address
Q101	4Q
Q103	4Q
Q201	4O
Q202	3O
Q203	5P
Q204	5P
Q205	4O
Q206	5O
Q207	5O
Q212	5P
Q303	3P
Q304	2O
Q305	3P
Q308	2P
Q401	5Q
Q700	4L
Q706	2M
Q800	2M



ELECTRIC UNIT (X25-928x-xx)





(X25-928x-xx)

DESTINATION	A100	C515	CF102	CF301	CN2
KTC-V500E (E)	W02-3191-15	0.015	NO	NO	E40-9706-05
KTC-V500N (K)	W02-3127-25	0.022	L72-0766-05	L72-0707-05	NO
KTC-V500P (M)	W02-3157-15	0.015	L72-0771-05	L72-0751-05	NO

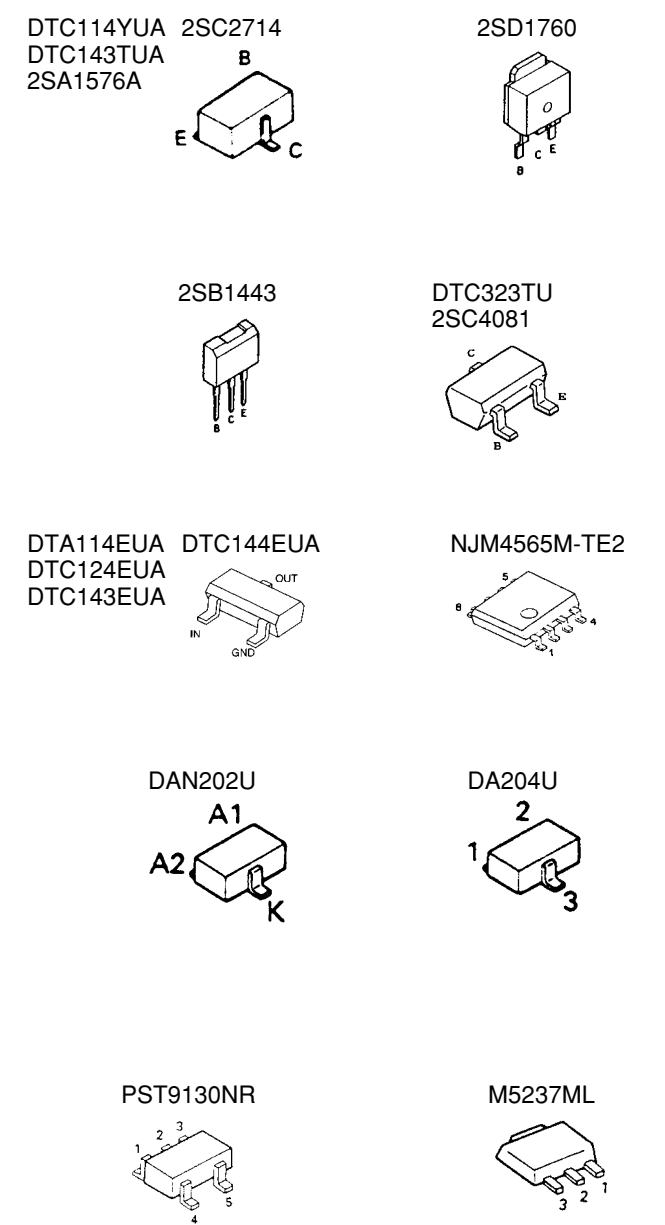
DESTINATION	L109	L114	L303	R309	R343
KTC-V500E (E)	1uH	1.2uH	L30-0749-05 (38.9)	68K	NO
KTC-V500N (K)	1uH	1uH	L30-0745-05 (45.75)	39K	560
KTC-V500P (M)	1.5uH	2.2uH	L30-0749-05 (38.9)	39K	330

- | | |
|----------------------|---------------------|
| IC200 : TDA8842H | D100,303 : DAN235U |
| IC202,203 : NJM2267V | D101-104 : RN739F |
| IC300 : AN5186F8 | D201,302 : DA204U |
| IC301 : TDA9830T | D300,301 : DAF236U |
| IC400 : BA7652AF | D700 : DAN202U |
| IC401 : CM0018AM | D702 : MA8068-M |
| IC502 : NJM4558M-TE2 | D705 : MA8091-L |
| IC504 : TA2005SN | D706,707 : MA8056-M |
| IC700 : TA78D305F | D708 : 1SS250 |
| IC701 : BA6161F | D709,710 : MA3056WA |
| IC702 : M5237ML | |
| IC800 : * | |
| IC801 : PST9130NR | |

- | | | |
|----------------------------|----------------------------|-----------|
| Q100 : DTC143TUA | Q200-204,208-210,303,304 : | DTC124EUA |
| Q101,103 : 2SC2714(Y) | 307,308,706 : 2SC4081 | |
| Q102,300-302,305,401,800 : | DTC144EUA | |
| | Q211,212,306 : 2SA1576A | |
| | Q309 : DTC143EUA | |
| Q400,501 : DTA114EUA | Q500 : DTC323TU | |
| Q700 : DTC114YUA | Q701 : 2SB1443 | |
| Q702 : 2SB1565F | Q703 : 2SD2396F40 | |
| Q704,705 : 2SD1760 | | |



CAUTION: For continued safety, replace safety critical components only with manufacturer's recommended parts (refer to parts list). Δ indicates safety critical components. For continued protection against risk of fire, replace only with same type and rating fuse(s). To reduce the risk of electric shock, leakage-current or resistance measurements shall be carried out (exposed parts are acceptably insulated from the supply circuit) before the appliance is returned to the customer.



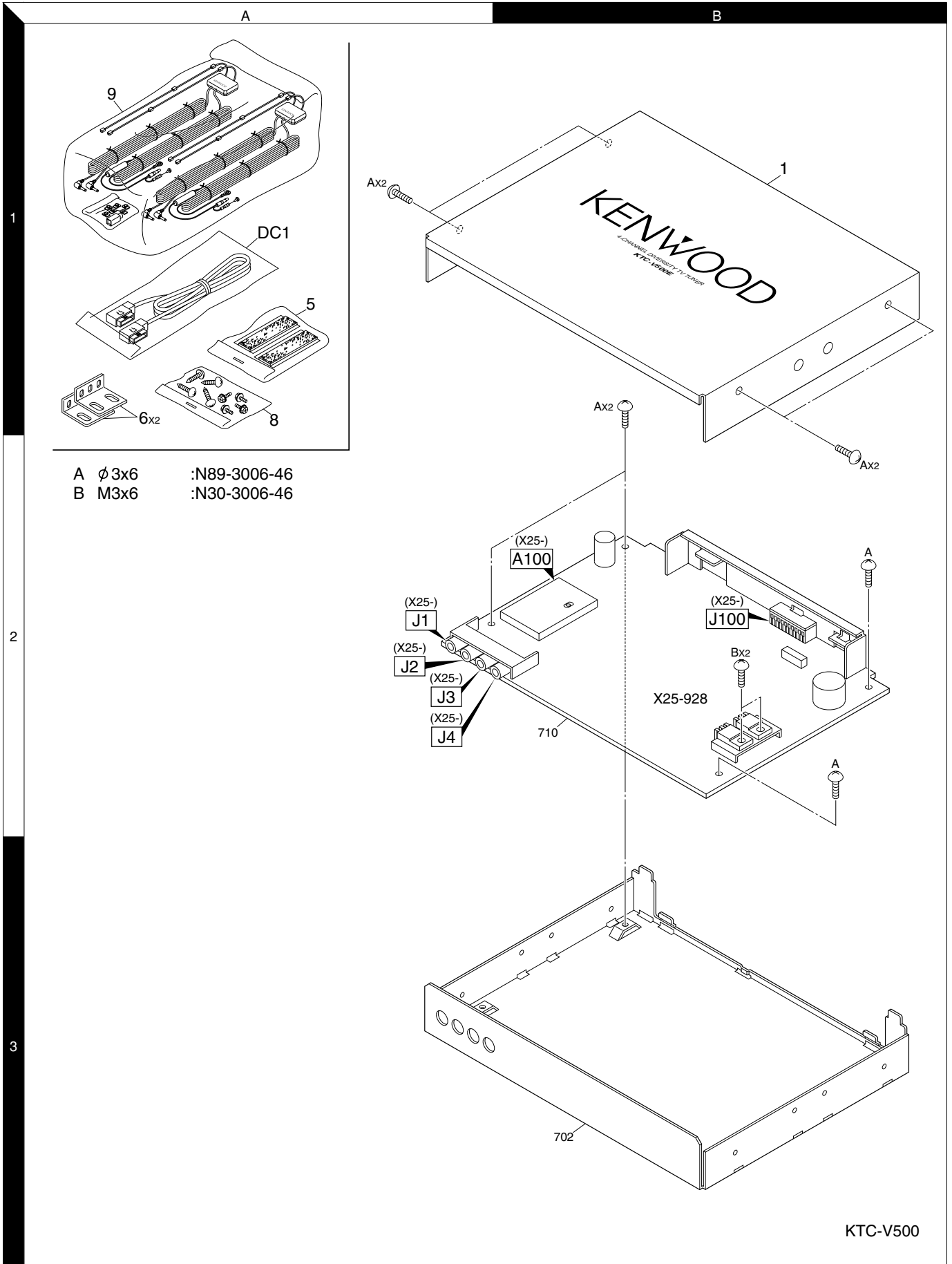
KTC-V500E/N/P

KENWOOD

KTC-V500E/N/P (E/K/M)

KTC-V500E/N/P

EXPLODED VIEW



KTC-V500E/N/P

PARTS LIST

* New Parts

Parts without Part No. are not supplied.

Les articles non mentionnés dans le Parts No. ne sont pas fournis.

Teile ohne Parts No. werden nicht geliefert.

(X25-928x-xx)

Ref. No.	A d d	N e w	Parts No.	Description	Desti- nation	Ref. No.	A d d	N e w	Parts No.	Description	Desti- nation
KTC-V500E/N/P											
1	1B	*	A01-2791-02	METALLIC CABINET	K	C221			CC73GCH1H100D	CHIP C 10PF D	E1
1	1B	*	A01-2792-02	METALLIC CABINET	M1	C222			CK73GB1E223K	CHIP C 0.022UF K	E1
1	1B	*	A01-2793-02	METALLIC CABINET	E1	C223			CE04NW1H2R2M	ELECTRO 2.2UF 50WV	E1
-			B46-0100-50	WARRANTY CARD		C224			CK73GB1E473K	CHIP C 0.047UF K	E1
-		*	B64-2141-00	INST. MANUAL (ENG,FRE,SPA)	K	C225-227			CK73GB1H103K	CHIP C 0.010UF K	E1
-		*	B64-2142-00	INST. MANUAL (ENG,S-CHI)	M1	C228			CK73GB1A224K	CHIP C 0.22UF K	E1
-		*	B64-2143-00	INST. MANUAL (ENG,FRE,GER,DUT)	E1	C229			CK73GB1A473K	CHIP C 0.047UF K	E1
-		*	B64-2143-00	INST. MANUAL (ITA,SPA,POR)	E1	C231			CK73GB1A224K	CHIP C 0.22UF K	E1
-		*	B64-2143-00	INST. MANUAL (ITA,SPA,POR)	E1	C232			CE04DWJ331M	ELECTRO 330UF 6.3WV	
DC1	1A		E30-4918-05	CORD WITH PLUG		C233			CK73GB1C104K	CHIP C 0.10UF K	E1
5	1A		H30-0051-05	MAGIC TAPE		C234			C90-2592-05	ELECTRO 10UF 6.3WV	
-			H25-0336-04	PROTECTION BAG (170X250X0.03)		C235			CK73GB1H103K	CHIP C 0.010UF K	E1
-			H25-0338-04	PROTECTION BAG (250X350X0.03)	KM1	C236			CE04NWJ221M	ELECTRO 220UF 6.3WV	E1
-			H25-1111-04	PROTECTION BAG (280X450X0.03)	E1	C237			CK73GB1A224K	CHIP C 0.22UF K	E1
-		*	H54-2467-03	ITEM CARTON CASE (KTC-V500N)	K	C238			CE04NWJ221M	ELECTRO 220UF 6.3WV	E1
-		*	H54-2468-03	ITEM CARTON CASE (KTC-V500P)	M1	C239			CK73GB1A224K	CHIP C 0.22UF K	E1
-		*	H54-2469-03	ITEM CARTON CASE (KTC-V500E)	E1	C240			CK73GB1H103K	CHIP C 0.010UF K	
6	1A		J21-3801-04	MOUNTING HARDWARE		C241			CE04NWJ221M	ELECTRO 220UF 6.3WV	E1
8	1A		N99-1558-05	SCREW SET		C242			CK73GB1A224K	CHIP C 0.22UF K	
A	1B		N89-3006-46	BINDING HEAD TAPTITE SCREW		C300			CE04NW1C470M	ELECTRO 47UF 16WV	
9	1A	*	T90-0551-05	ANTENNA ASSY		C301			CK73GB1C104K	CHIP C 0.10UF K	
ELECTRIC UNIT (X25-928x-xx)						C302			CK73GB1E223K	CHIP C 0.022UF K	
C100-102			CK73GB1H222K	CHIP C 2200PF K	E1	C303			CK73GB1C104K	CHIP C 0.10UF K	
C103,104			CK73GB1H103K	CHIP C 0.010UF K	E1	C304			CC73GCH1H100D	CHIP C 10PF D	K
C107			CE04NW1H4R7M	ELECTRO 4.7UF 50WV		C304,305			CC73GCH1H100D	CHIP C 10PF D	M1E1
C108,109			CK73GB1H103K	CHIP C 0.010UF K		C306			CK73GB1H103K	CHIP C 0.010UF K	
C110			CE04NWJ470M	ELECTRO 47UF 6.3WV		C307			CK73GB1H102K	CHIP C 1000PF K	M1E1
C111,112			CE04DW1A221M	ELECTRO 220UF 10WV		C308			CK73GB1A474K	CHIP C 0.47UF K	
C113			CK73GB1H103K	CHIP C 0.010UF K		C309			CC73GCH1H221J	CHIP C 220PF J	
C114			CC73GCH1E102J	CHIP C 1000PF J		C310			CK73GB1C104K	CHIP C 0.10UF K	
C115			CE04NW1C220M	ELECTRO 22UF 16WV		C311			CK73GB1H103K	CHIP C 0.010UF K	
C116-118			CK73GB1H103K	CHIP C 0.010UF K		C312			CK73GB1C104K	CHIP C 0.10UF K	
C119			CK73GB1H222K	CHIP C 2200PF K		C313			CK73GB1H103K	CHIP C 0.010UF K	
C120-127			CC73GCH1H101J	CHIP C 100PF J		C314			CK73GB1C104K	CHIP C 0.10UF K	
C128			CK73GB1H222K	CHIP C 2200PF K		C316			CK73GB1H103K	CHIP C 0.010UF K	
C200			CK73GB1C104K	CHIP C 0.10UF K	E1	C317			CK73GB1C104K	CHIP C 0.10UF K	
C201			CK73GB1H102K	CHIP C 1000PF K	E1	C318			CK73GB1E223K	CHIP C 0.022UF K	
C202,203			CE04NW1H010M	ELECTRO 1.0UF 50WV	E1	C319			CK73GB1C104K	CHIP C 0.10UF K	
C204			CK73GB1H222K	CHIP C 2200PF K	E1	C320			CE04NW1C470M	ELECTRO 47UF 16WV	
C205			CK73GB1H472K	CHIP C 4700PF K	E1	C321			CK73GB1A224K	CHIP C 0.22UF K	
C206			CK73GB1C104K	CHIP C 0.10UF K	E1	C322			CK73GB1H103K	CHIP C 0.010UF K	E1
C207			CC73GCH1H101J	CHIP C 100PF J	E1	C323			CE04NW1C100M	ELECTRO 10UF 16WV	E1
C208			CE04NW1C470M	ELECTRO 47UF 16WV	E1	C324,325			CK73GB1E223K	CHIP C 0.022UF K	E1
C209			CK73GB1H472K	CHIP C 4700PF K	E1	C326			CK73GB1H103K	CHIP C 0.010UF K	E1
C211			CC73GCH1H270J	CHIP C 27PF J	E1	C327			CK73GB1H222K	CHIP C 2200PF K	E1
C212			CC73GCH1H471J	CHIP C 470PF J	E1	C328			CK73GB1A224K	CHIP C 0.22UF K	
C213,214			CK73GB1H102K	CHIP C 1000PF K	E1	C329			CC73GCH1H560J	CHIP C 56PF J	
C215			CK73GB1H103K	CHIP C 0.010UF K	E1	C330			CE04NW1E4R7M	ELECTRO 4.7UF 25WV	E1
C216			CE04NW1HR47M	ELECTRO 0.47UF 50WV	E1	C331			CC73GCH1H220J	CHIP C 22PF J	E1
C217			CK73GB1C104K	CHIP C 0.10UF K	E1	C332			CE04NW1HR47M	ELECTRO 0.47UF 50WV	E1
C220			CK73GB1C104K	CHIP C 0.10UF K	E1	C333,334			CK73GB1H222K	CHIP C 2200PF K	E1
						C335			CE04NWJ470M	ELECTRO 47UF 6.3WV	KM1
						C336			CC73GCH1H101J	CHIP C 100PF J	KM1
						C337,338			CK73GB1H103K	CHIP C 0.010UF K	KM1
						C400			CK73GB1H103K	CHIP C 0.010UF K	E1

E : Europe K : North America M : Other Areas

E1 : KTC-V500E

K : KTC-V500N

M1 : KTC-V500P

⚠ indicates safety critical components.

KTC-V500E/N/P

PARTS LIST

* New Parts

Parts without Part No. are not supplied.

Les articles non mentionnés dans le Parts No. ne sont pas fournis.

Teile ohne Parts No. werden nicht geliefert.

(X25-928x-xx)

Ref. No.	A d d	N e w	Parts No.	Description	Desti- nation	Ref. No.	A d d	N e w	Parts No.	Description	Desti- nation
C401			CK73GB1C104K	CHIP C 0.10UF K	E1	CN2			E40-9706-05	PIN ASSY	E1
C402,403			CK73GB1H103K	CHIP C 0.010UF K	E1	CN300			E40-3640-05	PIN ASSY	
C404			CK73GB1E223K	CHIP C 0.022UF K		CN400			E40-3640-05	PIN ASSY	
C405			CK73GB1H472K	CHIP C 4700PF K		J1 -4			E11-0625-05	PHONE JACK (LGY6502-0900)	
C406			CK73GB1H103K	CHIP C 0.010UF K		J100			E58-0900-05	RECTANGULAR RECEPTACLE	
C407			CK73GB1H332K	CHIP C 3300PF K		P100			E23-0745-05	TERMINAL	
C408			CC73GCH1H330J	CHIP C 33PF J		F700	*		F53-0259-05	FUSE (5A)	
C409			CK73GB1H103K	CHIP C 0.010UF K		CF100	*		L72-0774-05	CERAMIC FILTER	E1
C410			CE04NW0J470M	ELECTRO 47UF 6.3WV		CF101			L72-0758-05	CERAMIC FILTER	E1
C411,412			CK73GB1H103K	CHIP C 0.010UF K		CF102			L72-0766-05	CERAMIC FILTER	K
C413-420			CC73GCH1H101J	CHIP C 100PF J		CF102			L72-0771-05	CERAMIC FILTER	M1
C421-424			CK73GB1H102K	CHIP C 1000PF K		CF200			L72-0751-05	CERAMIC FILTER	E1
C506			CE04NW1C470M	ELECTRO 47UF 16WV		CF300			L72-0742-05	CERAMIC FILTER	
C507			CK73GB1H103K	CHIP C 0.010UF K		CF301			L72-0707-05	CERAMIC FILTER	K
C508			CC73GCH1H181J	CHIP C 180PF J		CF301			L72-0751-05	CERAMIC FILTER	M1
C509			CK73GB1H102K	CHIP C 1000PF K		CF302	*		L72-0779-05	CERAMIC FILTER	M1
C510			CK73GB1A224K	CHIP C 0.22UF K		L100			L40-2795-34	SMALL FIXED INDUCTOR(2.7UH)	E1
C511			CK73GB1H102K	CHIP C 1000PF K		L101			L40-1295-34	SMALL FIXED INDUCTOR	E1
C515			CK73GB1H153K	CHIP C 0.015UF K	M1E1	L103			L40-1005-34	SMALL FIXED INDUCTOR	
C515			CK73GB1H223K	CHIP C 0.022UF K	K	L104			L40-6805-34	SMALL FIXED INDUCTOR	
C517			CK73GB1H223K	CHIP C 0.022UF K		L105-108			L40-5685-34	SMALL FIXED INDUCTOR(0.56UH)	
C518			CK73GB1C104K	CHIP C 0.10UF K		L109			L40-1095-34	SMALL FIXED INDUCTOR(1UH)	KE1
C519			CK73GB1H222K	CHIP C 2200PF K		L109			L40-1595-34	SMALL FIXED INDUCTOR(1.5UH)	M1
C521			CE04NW1C100M	ELECTRO 10UF 16WV		L110-113			L40-1585-34	SMALL FIXED INDUCTOR(0.15UH)	
C522			CK73GB1C473K	CHIP C 0.047UF K		L114			L40-1095-34	SMALL FIXED INDUCTOR(1UH)	K
C524			CK73GB1C473K	CHIP C 0.047UF K		L114			L40-1295-34	SMALL FIXED INDUCTOR	E1
C525			CK73GB1C104K	CHIP C 0.10UF K		L114			L40-2295-34	SMALL FIXED INDUCTOR	M1
C527			CE04NW1C470M	ELECTRO 47UF 16WV		L115			L40-1001-78	SMALL FIXED INDUCTOR(10UH)	
C528			CE04NW1C100M	ELECTRO 10UF 16WV		L200			L40-1001-78	SMALL FIXED INDUCTOR(10UH)	E1
C529			CK73GB1A224K	CHIP C 0.22UF K		L201			L40-5695-34	SMALL FIXED INDUCTOR(5.6UH)	E1
C530,531			CK73GB1H222K	CHIP C 2200PF K		L202			L40-1001-78	SMALL FIXED INDUCTOR(10UH)	
C532			CE04NW1C100M	ELECTRO 10UF 16WV		L300			L30-0756-05	TV IFT	
C700			CK73GB1H103K	CHIP C 0.010UF K		L301			L40-1001-78	SMALL FIXED INDUCTOR(10UH)	
C701			C90-2843-05	ELECTRO 2200UF 16WV		L302			L40-1005-34	SMALL FIXED INDUCTOR	E1
C702-704			CK73GB1H103K	CHIP C 0.010UF K		L303			L30-0745-05	TV IFT	K
C705			CE04NW1H2R2M	ELECTRO 2.2UF 50WV		L303			L30-0749-05	TV IFT	M1E1
C706			CE04NW1C330M	ELECTRO 33UF 16WV		L304			L40-1005-34	SMALL FIXED INDUCTOR	KM1
C707,708			CK73GB1C104K	CHIP C 0.10UF K		L400			L40-1005-34	SMALL FIXED INDUCTOR	
C709			C90-2654-05	ELECTRO 220UF 16WV	E1	L701			L33-1152-05	CHOKE COIL	
C710,711			CE04NW1C470M	ELECTRO 47UF 16WV		X201			L77-2096-05	CRYSTAL RESONATOR(4.43MHZ)	E1
C712			CK73GB1H103K	CHIP C 0.010UF K		X300			L77-2100-05	CRYSTAL RESONATOR(21.80MHZ)	M1
C713			C90-2673-05	ELECTRO 220UF 10WV	E1	X300			L77-2720-05	CRYSTAL RESONATOR(22.70MHZ)	E1
C714,715			CE04NW0J101M	ELECTRO 100UF 6.3WV		X301			L77-2099-05	CRYSTAL RESONATOR(21.30MHZ)	M1
C716,717			CK73GB1H103K	CHIP C 0.010UF K		X301			L77-2721-05	CRYSTAL RESONATOR(22.20MHZ)	E1
C718			CE04NW1H4R7M	ELECTRO 4.7UF 50WV		X302			L77-2098-05	CRYSTAL RESONATOR(20.80MHZ)	M1
C719			CK73FB1A105K	CHIP C 1.0UF K		X302			L77-2722-05	CRYSTAL RESONATOR(21.70MHZ)	E1
C720			CE04NW1H4R7M	ELECTRO 4.7UF 50WV		X303			L77-2084-05	CRYSTAL RESONATOR(30.55MHZ)	K
C721			CK73GB1H103K	CHIP C 0.010UF K		X800			L78-0829-05	RESONATOR (12.288MHZ)	
C722			C90-2673-05	ELECTRO 220UF 10WV		B	2B		N30-3006-46	PAN HEAD MACHINE SCREW	
C723			CK73GB1H103K	CHIP C 0.010UF K	E1	R100			RK73GB2A103J	CHIP R 10K J 1/10W	E1
C800			CK73GB1C104K	CHIP C 0.10UF K		R101			RK73GB2A332J	CHIP R 3.3K J 1/10W	
C801			CE04DW0J331M	ELECTRO 330UF 6.3WV		R102	*		RK73GB2A681J	CHIP R 680 J 1/10W	E1
C802			CK73GB1C104K	CHIP C 0.10UF K							
C803			CK73GB1A224K	CHIP C 0.22UF K							
C804			CK73GB1C104K	CHIP C 0.10UF K	KM1						

E1 : KTC-V500E

K : KTC-V500N

M1 : KTC-V500P

E : Europe K : North America M : Other Areas

△ indicates safety critical components.

KTC-V500E/N/P

PARTS LIST

* New Parts

Parts without Part No. are not supplied.

Les articles non mentionnés dans le Parts No. ne sont pas fournis.

Teile ohne Parts No. werden nicht geliefert.

(X25-928x-xx)

Ref. No.	A d d	N e w	Parts No.	Description	Desti- nation
R103			RK73GB2A470J	CHIP R 47 J 1/10W	E1
R104			RK73GB2A103J	CHIP R 10K J 1/10W	E1
R105			RK73GB2A123J	CHIP R 12K J 1/10W	E1
R106			RK73GB2A222J	CHIP R 2.2K J 1/10W	E1
R107,108			RK73GB2A101J	CHIP R 100 J 1/10W	E1
R109			RK73GB2A682J	CHIP R 6.8K J 1/10W	E1
R110			RK73GB2A222J	CHIP R 2.2K J 1/10W	E1
R112			RK73GB2A151J	CHIP R 150 J 1/10W	E1
R113			RK73GB2A470J	CHIP R 47 J 1/10W	E1
R115			RK73GB2A471J	CHIP R 470 J 1/10W	E1
R116			RK73GB2A151J	CHIP R 150 J 1/10W	E1
R117			RK73GB2A123J	CHIP R 12K J 1/10W	E1
R118			RK73GB2A222J	CHIP R 2.2K J 1/10W	E1
R119		*	RK73GB2A681J	CHIP R 680 J 1/10W	E1
R120			RK73GB2A470J	CHIP R 47 J 1/10W	E1
R121			RK73GB2A222J	CHIP R 2.2K J 1/10W	M1
R200,201			RK73GB2A471J	CHIP R 470 J 1/10W	E1
R202			RK73GB2A104J	CHIP R 100K J 1/10W	E1
R203			RK73GB2A153J	CHIP R 15K J 1/10W	E1
R204		*	RK73GB2A273J	CHIP R 27K J 1/10W	E1
R205			RK73GB2A103J	CHIP R 10K J 1/10W	E1
R206			RK73GB2A472J	CHIP R 4.7K J 1/10W	E1
R207			RK73GB2A470J	CHIP R 47 J 1/10W	E1
R208			RK73GB2A104J	CHIP R 100K J 1/10W	E1
R209			RK73GB2A223J	CHIP R 22K J 1/10W	E1
R210,211			RK73GB2A103J	CHIP R 10K J 1/10W	E1
R212			RK73GB2A393J	CHIP R 39K J 1/10W	E1
R213			RK73GB2A103J	CHIP R 10K J 1/10W	E1
R214		*	RK73GB2A273J	CHIP R 27K J 1/10W	E1
R215			RK73GB2A393J	CHIP R 39K J 1/10W	E1
R216			RK73GB2A103J	CHIP R 10K J 1/10W	E1
R217		*	RK73GB2A391J	CHIP R 390 J 1/10W	E1
R218			RK73GB2A223J	CHIP R 22K J 1/10W	E1
R219,220			RK73GB2A101J	CHIP R 100 J 1/10W	E1
R221-223			RK73GB2A102J	CHIP R 1.0K J 1/10W	E1
R224,225			RK73GB2A471J	CHIP R 470 J 1/10W	E1
R226		*	RK73GB2A391J	CHIP R 390 J 1/10W	E1
R227			RK73GB2A470J	CHIP R 47 J 1/10W	E1
R228,229			RK73GB2A471J	CHIP R 470 J 1/10W	E1
R230		*	RK73GB2A391J	CHIP R 390 J 1/10W	E1
R231-234			RK73GB2A102J	CHIP R 1.0K J 1/10W	E1
R235-238		*	RK73EB2E750J	CHIP R 75 J 1/4W	E1
R238		*	RK73EB2E750J	CHIP R 75 J 1/4W	KM1
R239		*	RK73GB2A152J	CHIP R 1.5K J 1/10W	E1
R240			RK73GB2A471J	CHIP R 470 J 1/10W	E1
R300-302			RK73GB2A222J	CHIP R 2.2K J 1/10W	M1E1
R303		*	RK73GB2A273J	CHIP R 27K J 1/10W	E1
R304-306			RK73GB2A104J	CHIP R 100K J 1/10W	M1E1
R307			RK73GB2A103J	CHIP R 10K J 1/10W	M1E1
R308			RK73GB2A433J	CHIP R 43K J 1/10W	E1
R308			RK73GB2A473J	CHIP R 47K J 1/10W	M1
R308			RK73GB2A563J	CHIP R 56K J 1/10W	K
R309			RK73GB2A393J	CHIP R 39K J 1/10W	KM1
R309		*	RK73GB2A683J	CHIP R 68K J 1/10W	E1
R310			RK73GB2A682J	CHIP R 6.8K J 1/10W	E1

Ref. No.	A d d	N e w	Parts No.	Description	Desti- nation
R311			RK73GB2A103J	CHIP R 10K J 1/10W	E1
R312			RK73GB2A272J	CHIP R 2.7K J 1/10W	E1
R313			RK73GB2A102J	CHIP R 1.0K J 1/10W	E1
R314		*	RK73GB2A152J	CHIP R 1.5K J 1/10W	E1
R319			RK73GB2A473J	CHIP R 47K J 1/10W	E1
R320			RK73GB2A333J	CHIP R 33K J 1/10W	E1
R321			RK73GB2A473J	CHIP R 47K J 1/10W	E1
R322			RK73GB2A471J	CHIP R 470 J 1/10W	E1
R323,324		*	RK73GB2A331J	CHIP R 330 J 1/10W	E1
R325			RK73GB2A472J	CHIP R 4.7K J 1/10W	E1
R326-328			RK73GB2A103J	CHIP R 10K J 1/10W	E1
R329			RK73GB2A392J	CHIP R 3.9K J 1/10W	E1
R330			RK73GB2A822J	CHIP R 8.2K J 1/10W	E1
R331			RK73GB2A272J	CHIP R 2.7K J 1/10W	E1
R332			RK73GB2A471J	CHIP R 470 J 1/10W	E1
R333			RK73GB2A332J	CHIP R 3.3K J 1/10W	KM1
R334		*	RK73GB2A182J	CHIP R 1.8K J 1/10W	KM1
R335			RK73GB2A223J	CHIP R 22K J 1/10W	KM1
R336			RK73GB2A103J	CHIP R 10K J 1/10W	KM1
R337		*	RK73GB2A181J	CHIP R 180 J 1/10W	KM1
R338,339		*	RK73GB2A331J	CHIP R 330 J 1/10W	KM1
R340			RK73GB2A102J	CHIP R 1.0K J 1/10W	KM1
R341		*	RK73GB2A152J	CHIP R 1.5K J 1/10W	KM1
R342			RK73GB2A682J	CHIP R 6.8K J 1/10W	KM1
R343		*	RK73GB2A331J	CHIP R 330 J 1/10W	M1
R343		*	RK73GB2A561J	CHIP R 560 J 1/10W	K
R344			RK73GB2A104J	CHIP R 100K J 1/10W	KM1
R345,346			RK73GB2A103J	CHIP R 10K J 1/10W	KM1
R347			RK73GB2A472J	CHIP R 4.7K J 1/10W	KM1
R349			RK73GB2A153J	CHIP R 15K J 1/10W	K
R349		*	RK73GB2A683J	CHIP R 68K J 1/10W	M1E1
R350			RK73GB2A124J	CHIP R 120K J 1/10W	K
R350			RK73GB2A823J	CHIP R 82K J 1/10W	M1
R350			RK73GB2A913J	CHIP R 91K J 1/10W	E1
R400			RK73GB2A101J	CHIP R 100 J 1/10W	E1
R401			RK73GB2A333J	CHIP R 33K J 1/10W	E1
R402			RK73GB2A223J	CHIP R 22K J 1/10W	E1
R403			RK73GB2A473J	CHIP R 47K J 1/10W	E1
R404			RK73GB2A822J	CHIP R 8.2K J 1/10W	E1
R405			RK73GB2A472J	CHIP R 4.7K J 1/10W	M1E1
R406-409			RK73GB2A102J	CHIP R 1.0K J 1/10W	E1
R410-413			RK73GB2A101J	CHIP R 100 J 1/10W	E1
R509,510			RK73GB2A473J	CHIP R 47K J 1/10W	E1
R511			RK73GB2A103J	CHIP R 10K J 1/10W	E1
R512			RK73GB2A473J	CHIP R 47K J 1/10W	E1
R514		*	RK73GB2A273J	CHIP R 27K J 1/10W	E1
R515			RK73GB2A123J	CHIP R 12K J 1/10W	E1
R516			RK73GB2A682J	CHIP R 6.8K J 1/10W	E1
R517			RK73GB2A361J	CHIP R 360 J 1/10W	E1
R518			RK73GB2A473J	CHIP R 47K J 1/10W	E1
R519,520			RK73GB2A101J	CHIP R 100 J 1/10W	E1
R521,522			RK73GB2A472J	CHIP R 4.7K J 1/10W	E1
R523			RK73GB2A473J	CHIP R 47K J 1/10W	E1
R700			RK73GB2A153J	CHIP R 15K J 1/10W	E1
R701			R92-3209-05	SMALL-RD 680 J 1/2W	E1

E1 : KTC-V500E

K : KTC-V500N

M1 : KTC-V500P

E : Europe K : North America M : Other Areas

⚠ indicates safety critical components.

PARTS LIST

* New Parts

Parts without **Part No.** are not supplied.

Les articles non mentionnés dans le **Parts No.** ne sont pas fournis.

Teile ohne **Parts No.** werden nicht geliefert.

(X25-928x-xx)

Ref. No.	A d d	N e w	Parts No.	Description	Desti- nation	Ref. No.	A d d	N e w	Parts No.	Description	Desti- nation
R702			RK73EB2E221J	CHIP R 220 J 1/4W		IC300			AN5186FB	ANALOGUE IC	
R703			RK73FB2B102J	CHIP R 1.0K J 1/8W	E1	IC301			TDA9830T	ANALOGUE IC	E1
R704,705		*	RK73FB2B182J	CHIP R 1.8K J 1/8W		IC400			BA7652AF	ANALOGUE IC	E1
R706			RK73GB2A103J	CHIP R 10K J 1/10W		IC401			CM0018AM	MOS-IC	
R707,708			RK73GB2A223J	CHIP R 22K J 1/10W		IC502			NJM4565M-TE2	ANALOGUE IC	
R709			RK73GH1J243D	CHIP R 24K D 1/16W		IC504			TA2005SN	ANALOGUE IC	
R710			RK73GH1J153D	CHIP R 15K D 1/16W		IC700			TA78DS05F	ANALOGUE IC	
R711			RK73GH1J432D	CHIP R 4.3K D 1/16W		IC701			BA6161F	ANALOGUE IC	
R712			RK73GB2A104J	CHIP R 100K J 1/10W		IC702			M5237ML	IC(VOLTAGE REGULATOR)	
R713		*	RK73GB2A122J	CHIP R 1.2K J 1/10W		IC800			UPD784214GC077	MI-COM IC	KM1
R801			RK73GB2A104J	CHIP R 100K J 1/10W		IC800		*	784214AGC-136	MI-COM IC	E1
R802,803			RK73GB2A101J	CHIP R 100 J 1/10W		IC801			PST9130NR	ANALOGUE IC	
R804			RK73GB2A103J	CHIP R 10K J 1/10W		Q100			DTC143TUA	DIGITAL TRANSISTOR	E1
R807,808			RK73GB2A104J	CHIP R 100K J 1/10W		Q101			2SC2714(Y)	TRANSISTOR	E1
R809			RK73GB2A473J	CHIP R 47K J 1/10W		Q102			DTC124EUA	DIGITAL TRANSISTOR	E1
R810,811			RK73EB2E101J	CHIP R 100 J 1/4W		Q103			2SC2714(Y)	TRANSISTOR	
R812,813			RK73EB2E102J	CHIP R 1.0K J 1/4W		Q200-204			2SC4081	TRANSISTOR	E1
R814			RK73EB2E101J	CHIP R 100 J 1/4W		Q205-207			DTC144EUA	DIGITAL TRANSISTOR	E1
R815			RK73EB2E102J	CHIP R 1.0K J 1/4W		Q208-210			2SC4081	TRANSISTOR	E1
R816-818			RK73GB2A101J	CHIP R 100 J 1/10W		Q211,212			2SA1576A	TRANSISTOR	E1
R819			RK73GB2A102J	CHIP R 1.0K J 1/10W	KM1	Q300-302			DTC124EUA	DIGITAL TRANSISTOR	M1E1
R820-824			RK73GB2A104J	CHIP R 100K J 1/10W	E1	Q303			2SC4081	TRANSISTOR	KM1
R822-824			RK73GB2A104J	CHIP R 100K J 1/10W	KM1	Q303,304			2SC4081	TRANSISTOR	E1
R825,826			RK73GB2A223J	CHIP R 22K J 1/10W		Q305			DTC124EUA	DIGITAL TRANSISTOR	E1
R827			RK73GB2A104J	CHIP R 100K J 1/10W		Q306			2SA1576A	TRANSISTOR	KM1
R828-830			RK73GB2A102J	CHIP R 1.0K J 1/10W	KM1	Q307,308			2SC4081	TRANSISTOR	KM1
R831			RK73GB2A562J	CHIP R 5.6K J 1/10W		Q309			DTC143EUA	DIGITAL TRANSISTOR	
R832			RK73EB2E101J	CHIP R 100 J 1/4W		Q400			DTA114EUA	DIGITAL TRANSISTOR	E1
R833			RK73GB2A562J	CHIP R 5.6K J 1/10W		Q401			DTC124EUA	DIGITAL TRANSISTOR	
R834,835			RK73GB2A104J	CHIP R 100K J 1/10W	M1	Q500			DTC323TU	DIGITAL TRANSISTOR	
R835			RK73GB2A104J	CHIP R 100K J 1/10W	E1	Q501			DTA114EUA	DIGITAL TRANSISTOR	
R835,836			RK73GB2A104J	CHIP R 100K J 1/10W	K	Q700			DTC114YUA	DIGITAL TRANSISTOR	
VR300			R32-0246-05	SEMI FIXED VARIABLE RESISTOR	KM1	Q701			2SB1443	TRANSISTOR	
VR301			R32-0234-05	SEMI FIXED VARIABLE RESISTOR	KM1	Q702			2SB1565F	TRANSISTOR	
VR400			R32-0234-05	SEMI FIXED VARIABLE RESISTOR		Q703			2SD2396F40	TRANSISTOR	E1
W100-102			R92-1252-05	CHIP R 0 OHM J 1/16W	KM1	Q704,705			2SD1760	TRANSISTOR	
W300			R92-1252-05	CHIP R 0 OHM J 1/16W	M1	Q706			2SC4081	TRANSISTOR	
W300-302			R92-1252-05	CHIP R 0 OHM J 1/16W	K	Q800			DTC124EUA	DIGITAL TRANSISTOR	
W302			R92-1252-05	CHIP R 0 OHM J 1/16W	M1						
W400			R92-1252-05	CHIP R 0 OHM J 1/16W	KM1	A100		*	W02-3127-25	TUNER ASSY	K
D100			DAN235U	DIODE	E1	A100			W02-3157-15	TUNER ASSY	M1
D101-104			RN739F	DIODE		A100			W02-3191-15	TUNER ASSY	E1
D201			DA204U	DIODE	E1						
D300,301			DAP236U	DIODE	M1E1						
D302			DA204U	DIODE							
D303			DAN235U	DIODE	E1						
D700			DAN202U	DIODE							
D702			MA8068-M	ZENER DIODE							
D705			MA8091-L	ZENER DIODE	E1						
D706,707			MA8056-M	ZENER DIODE							
D708			1SS250	DIODE							
D709,710			MA3056WA	ZENER DIODE							
IC200			TDA8842H	ANALOGUE IC	E1						
IC202,203			NJM2267V	ANALOGUE IC	E1						
IC203			NJM2267V	ANALOGUE IC	KM1						

E1 : KTC-V500E

K : KTC-V500N

M1 : KTC-V500P

E : Europe K : North America M : Other Areas

⚠ indicates safety critical components.

KTC-V500E/N/P

SPECIFICATIONS

TV Tuner (KTC-V500E for Europe)					
Color System	PAL/SECAM				
Television System	PAL-B/G	PAL-I	SECAM-L	SECAM-D/K	SECAM-B/G
Channel Converge (VHF)	2ch - 12ch A - H2ch	A - Jch	2ch - 10ch	1ch - 12ch	2ch - 12ch
Channel Converge (UHF)	21ch - 69ch				
Channel Selection System	PLL Frequency Synthesizer System				
Demodulation System	Split Carrier System				
Antenna Input	4ch Diversity (75Ω / 3.5ø mini jack)				
TV Tuner (KTC-V500N for North America)					
Color System	NTSC				
Television System	M				
Receivable Channel (VHF)	2ch - 13ch				
Receivable Channel (UHF)	14ch - 69ch				
Channel Selection System	PLL Frequency Synthesizer System				
Demodulation System	Split Carrier System				
Antenna Input	4ch Diversity (75Ω / 3.5ø mini jack)				
TV Tuner (KTC-V500P for Other Areas)					
Color System	PAL				
Television System	PAL-B/G	PAL-B/G	PAL-B/G	PAL-I	PAL-D
Channel Converge (VHF)	2ch - 12ch	1A - 11ch	0ch - 12ch		1ch - 12ch
Channel Converge (UHF)	21ch - 69ch	21ch - 69ch	28ch - 69ch	21ch - 69ch	13ch - 57ch
Channel Selection System	PLL Frequency Synthesizer System				
Demodulation System	Split Carrier System				
Antenna Input	4ch Diversity (75Ω / 3.5ø mini jack)				
General (Common Destination)					
Operating Voltage	14.4V (11V ~ 16V)				
Current Consumption	KTC-V500E : 500mA, KTC-V500N : 260mA, KTC-V500P : 280mA				
Dimensions (Width x Height x Depth)	192mm x 30mm x 147mm				
Operating Temperature Range	-10°C ~ +60°C				
Storage Temperature Range	-20°C ~ +85°C				
Weight	730g				
TV Antenna Unit (Common Destination)					
Output Impedance	75Ω / 3.5ø mini jack				
Operating Voltage	14.4V (11V ~ 16V)				
Consumed Current	200mA				
Cable Length	5m				
Size (Width x Height x Depth)	50mm x 15mm x 452mm				
Weight	300g (x2)				

KENWOOD follows a policy of continuous advancements in development. For this reason specifications may be changed without notice.

KENWOOD CORPORATION

14-6, Dogenzaka 1-chome, Shibuya-ku, Tokyo, 150-8501 Japan

KENWOOD SERVICE CORPORATION

P.O. Box 22745, 2201 East Dominguez Street,
Long Beach, CA90801-5745, U.S.A.

KENWOOD ELECTRONICS CANADA INC.

6070 Kestrel Road, Mississauga, Ontario, Canada L5T 1S8

KENWOOD ELECTRONICS LATIN AMERICA S.A.

P.O. Box 55-2791 Paitilla, Plaza Credicorp Bank Panama,
Piso 9, Oficina 901, Calle 50, Panama, Republic of Panama

KENWOOD ELECTRONICS BRASIL LTDA.

Alameda Ministro Rocha Azevedo No. 456,
Edifício Jaú, 10o Andar, Cerqueira César, Cep 0140-001,
São Paulo-SP-Brasil

KENWOOD ELECTRONICS UK LIMITED

Kenwood House, Dwight Road, Watford,
Herts, WD1 8EB, United Kingdom

KENWOOD ELECTRONICS DEUTSCHLAND GMBH

Rembrücker Str. 15, 63150 Heusenstamm, Germany

KENWOOD ELECTRONICS FRANCE S.A.

13, Boulevard Ney, 75018 Paris, France

KENWOOD ELECTRONICS BELGIUM N.V.

20Leuvensesteenweg 248 J, 1800 Vilvoorde, Belgium

KENWOOD ELECTRONICS ITALIA S.p.A.

Via G. Sirtori 7/9, 20129 Milano, Italy

KENWOOD IBÉRICA S.A.

Bolivia, 239-08020 Barcelona, Spain

KENWOOD ELECTRONICS AUSTRALIA PTY. LTD.

(A.C.N. 001 499 074)
16 Giffnock Avenue, Centrecourt Estate, North Ryde,
N.S.W. 2113, Australia

KENWOOD ELECTRONICS (HONG KONG) LTD.

Unit 3712-3724, Level 37, Tower 1, Metroplaza,
223 Hing Fong Road, Kwai Fong, N.T., Hong Kong

KENWOOD ELECTRONICS GULF FZE

P.O.Box 61318, Jebel Ali, Dubai, U.A.E.

KENWOOD ELECTRONICS (THAILAND) CO., LTD.

2019 New Pechburi Road, Bangkapi, Huaykwang,
Bangkok, 10320 Thailand

KENWOOD ELECTRONICS SINGAPORE PTE LTD.

1 Genting Lane, #07-00, Kenwood Building, Singapore 349544

KENWOOD ELECTRONICS (MALAYSIA) SDN BHD

#4.01 Level 4, Wisma Academy Lot 4A, Jalan 19/1,
46300 Petaling Jaya, Selangor Darul Ehsan, Malaysia