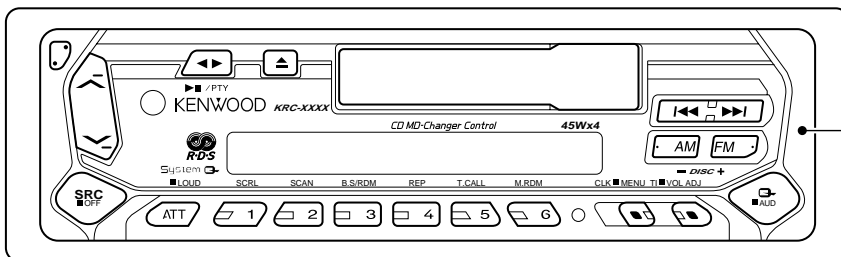


KRC-31Y/36/366L/37/37Y /391/394/394Y/466R /4904Y

SERVICE MANUAL

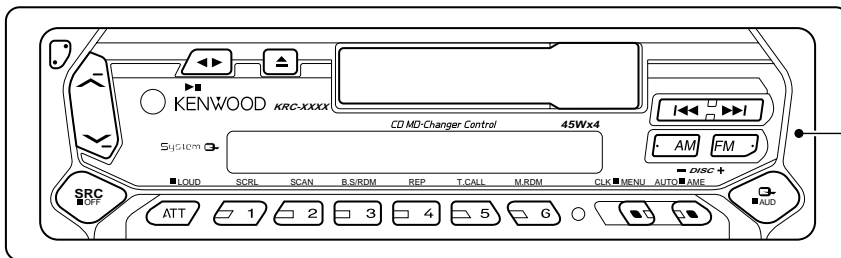
Mechanism extension cord : W05-0477-00 (7P), W05-0609-00 (10P)

KRC-36/37/37Y
/391/394
/394Y/466R



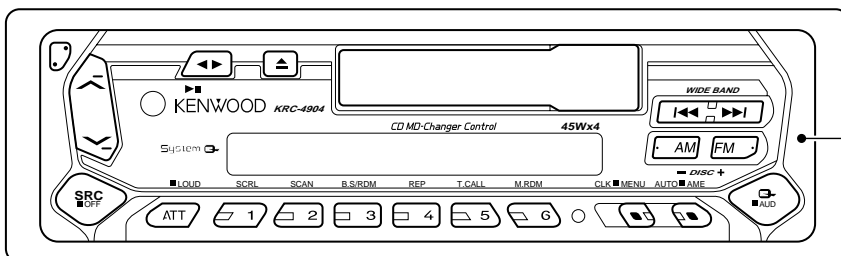
Panel assy
KRC-391:
(A64-2538-02)
KRC-36:
(A64-2541-02)
KRC-466R:
(A64-2941-02)
KRC-394/394Y:
(A64-2945-02)
KRC-37/37Y:
(A64-2947-02)

KRC-31Y/366L



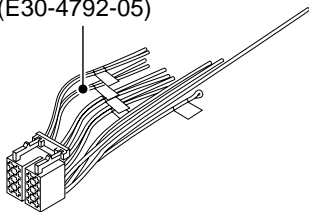
Panel assy
KRC-366L:
(A64-2942-02)
KRC-31Y:
(A64-2946-02)

KRC-4904Y

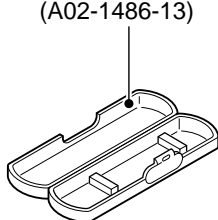


Panel assy
(A64-2948-02)

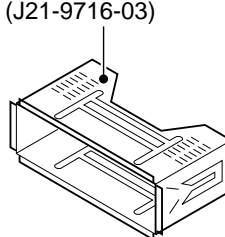
DC cord
(E30-4792-05)



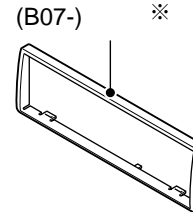
Plastic cabinet assy
(A02-1486-13)



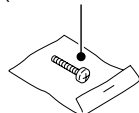
Mounting hardware assy
(J21-9716-03)



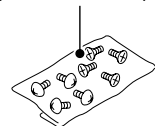
Escutcheon
(B07-) ※



Screw set
(N99-1610-15) ※



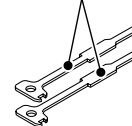
Screw set
(N99-1719-05) ※



Antenna adaptor
(T90-0523-05)



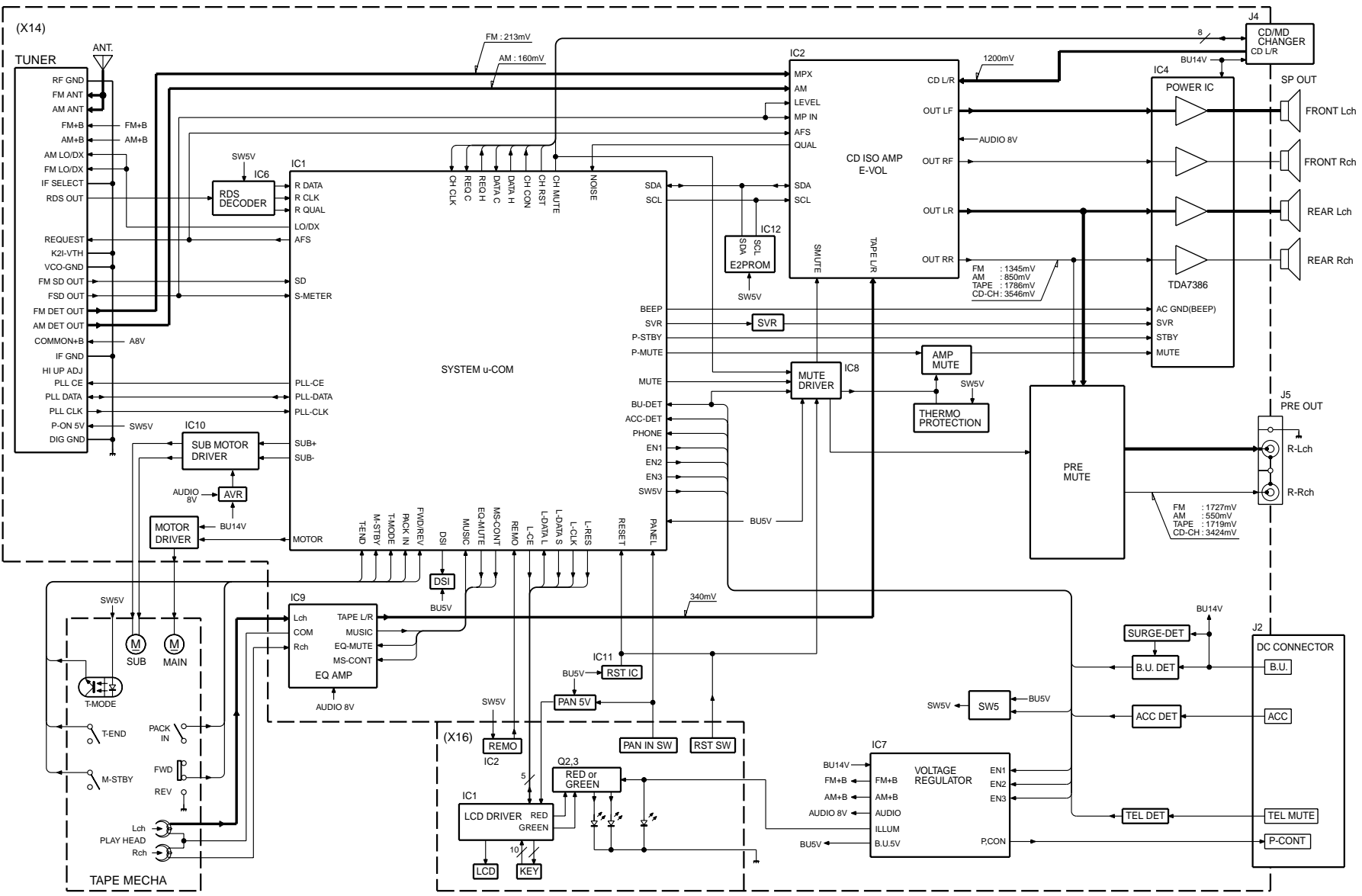
Lever
(D10-4589-04) x2



※ Depends on model. Refer to the parts list.



BLOCK DIAGRAM



COMPONENTS DESCRIPTION

● SYNTHESIZER UNIT (X14-689x-xx)

Ref. No.	Function	Operation
IC1	System μ -com	
IC2	E-volume	
IC4	Power amplifier	Speaker output.
IC6	RDS decoder	
IC7	Power IC	
IC8	Mute control logic	3 input NOR gate x 3.
IC9	Equalizer amplifier	For full logical cassette mechanism control.
IC10	Sub motor driver	For full logical cassette mechanism sub motor driver.
IC11	Reset IC	Detection voltage below 3.0V.
IC12	EEPROM	
Q1	P. CON detection	Detects P.CON voltage.
Q10	Backup detection	Detects the backup voltage.
Q11	Surge detection	Detects surge voltage.
Q20	ACC detection	Detects ACC voltage.
Q40	Preout mute driver	Mutes when the base terminal voltage level becomes "L".
Q50	5V SW	Works when the base terminal voltage level becomes "L".
Q101	DSI SW	LED for DSI works when the base terminal voltage level becomes "H".
Q151	Panel 5V SW	Works when the base terminal voltage level becomes "L". Supplies VDD to panel.
Q201	Noise detection	Detects noise.
Q221~224	Preout mute	Mutes when the base terminal voltage level becomes "H".
Q251	Power IC SVR SW	Discharges the capacitor's voltage of SVR terminal after the base terminal voltage becomes "H".
Q301	Local seek SW	Changes to the local seeking after the base terminal voltage becomes "H".
Q501	Motor driver AVR	Works when the base terminal voltage becomes "H". Supplies the power to the motor driver.
Q551	Main motor SW	Works when the base terminal voltage becomes "L".
Q552	Main motor SW	Works when the base terminal voltage becomes "H".

● SWITCH UNIT (X16-1532-7x)

Ref. No.	Function	Operation
IC1	LCD driver	
IC2	Remote sensor	
Q1	Key scan SW	Receives key signal when the base terminal voltage becomes "L".
Q2	Key illumination SW	Key illumination color becomes green when the base terminal voltage becomes "H".
Q3	Key illumination SW	Key illumination color becomes red when the base terminal voltage becomes "H".

MICROCOMPUTER'S TERMINAL DESCRIPTION

● Microcomputer : UPD780058GCxxx (X14 : IC1)

Pin No.	Pin Name	I/O	Function / Operating Condition
1	DSI	O	DSI control.
2	PANEL	I	Panel detection. "L" : Panel exists
3	-	-	-
4	AVSS	-	GND.
5	L-RST	O	LCD driver reset.
6	L-CE	O	LCD driver chip enable.
7	AVREF1	I	Reference voltage.
8	-	-	-
9	PLL-DATA	I/O	Front-end communication data.
10	PLL-CLK	O	Front-end communication clock.
11	L-DATA L	I	LCD driver communication data.
12	L-DATA S	O	LCD driver communication data.
13	L-CLK	O	LCD driver communication clock.
14	R-DATA	I	RDS data.
15	R-QUAL	I	RDS QUAL.
16	CH-DATA C	I	Changer communication data.
17	CH-DATA H	O	Changer communication data.
18	CH-CLK	I/O	Changer communication clock.
19	M-STBY	I	Cassette tape standby detection. "H" : Standby
20	T-END	I	Tape end detection. "H" : Run, "L" : Stop
21	ACC-DET	I	ACC detection.
22	BU-DET	I	Backup detection.
23	IC2 TYPE 0	I	For service. "L" : Normally
24	IC2 TYPE 1	I	For service. "L" : Normally
25	TYPE 0	I	Destination discrimination.
26	TYPE 1	I	Destination discrimination.
27	TYPE REF	O	Reference voltage for destination and service.
28	MOTOR	O	Cassette mechanism motor. "H" : ON, "L" : OFF
29	PLL-CE	O	Front-end communication ship enable.
30	SD	I	Station detection. "H" : Station exists, "L" : Station does not exist
31	ASF	O	Noise detection time constant switch.
32	LO/DX	O	Local seeking switch. "H" : LO, "L" : DX
33	VSS1	-	GND.
34	P-MUTE	O	Power amplifier muting.
35	SVR	O	SVR control.
36	-	-	-
37	IC2-SCL	O	E-volume communication clock.
38	IC2-SDA	I/O	E-volume communication data.
39	MUTE	O	Muting control.
40	P-STBY	O	Power amplifier standby.

Pin No.	Pin Name	I/O	Function / Operating Condition
41	P. CON-DET	I	P. CON short-circuited detection.
42	CH-CONT	O	Changer control.
43	-	-	-
44	CH-REC H	O	Changer request.
45~47	-	-	-
48	EN2-1	O	Power supply IC control.
49	EN2-0	O	Power supply IC control.
50	BEEP	O	Buzzer.
51	EN3	O	Power supply IC control.
52	EN1	O	Power supply IC control.
53	SW 5V	O	P. ON 5V control. "H" : OFF, "L" : ON
54	MUSIC	I	Tape signal detection. "H" : Signal does not exist, "L" : Signal exists
55	MS-CONT	O	tape advanced sensitivity control. "H" : Play, "L" : FF/REW
56	EQ-MUTE	O	Cassette tape muting. "H" : ON, "L" : OFF
57	FWD/REV	I	Cassette tape runing direction detection. "H" : FWD, "L" : REV
58	SUB+	O	Sub motor control.
59	SUB-	O	Sub motor control.
60	RESET	I	System reset.
61	REMOTE	I	Remote control.
62	R-CLK	I	RDS clock.
63	CH-REQ C	I	Changer request.
64	PACK-IN	I	Cassette tape pack-in detection.
65	KEY-REQ	I	Key signal detection.
66	-	-	-
67	VSS0	-	GND.
68	VDD1	-	VDD.
69	X2	-	Main system clock.
70	X1	I	Main system clock.
71	IC	-	-
72	-	-	-
73	XT1	-	VDD.
74	VDD0	-	VDD.
75	AVREF 0	I	Reference voltage.
76	S-METER	I	SD detection. "H" : SD exists, "L" : SD does not exist
77	T-MODE	I	Cassette tape mode detection.
78	PHONE	I	Navi mute : Over 2.5V, Tel mute : Less tha 2.5V
79	NOISE	I	Noise detection during FM mode.
80	AV CONT	O	reference voltage.

ADJUSTMENT

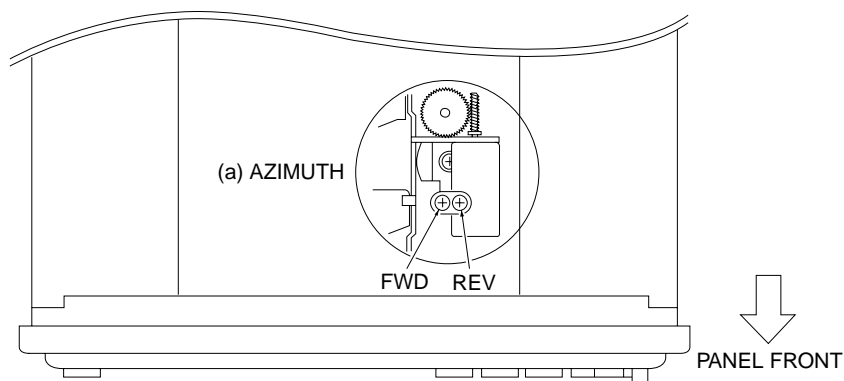
BALANCE/FADER/BASS/TREBLE : CENTER

T. ADV/METAL/DOLBY NR/AUTO : OFF

No.	Item	Input Settings	Output Settings	Receiver Settings	Alignment Points	Align For	Fig.
FM Section							
1	SD	98.1MHz 0 dev 35dB μ (ANT input)	-	TEST MODE : ON FM 98.1MHz	Preset "1" key, and preset "6" key	While holding preset "1" key, press and hold preset "6" key for a few seconds. "ADJ OK" is good. "ADJ NG" is not good. (7 seg model : "1111" is good. "0000" is not good.)	
AM Section							
(1)	SD	990kHz 0% mod 35dB μ (ANT input)	-	TEST MODE : ON AM 990kHz	Preset "1" key, and preset "6" key	While holding preset "1" key, press and hold preset "6" key for a few seconds. "ADJ OK" is good. "ADJ NG" is not good. (7 seg model : "1111" is good. "0000" is not good.)	
Cassette Deck Section							
1	AZIMUTH	TCC-153 10kHz	SP OUT	TAPE PLAY	Head azimuth screw (FWD/REV)	Adjust so that output level in playing "FWD" and "REV" becomes maximum each.	(a)

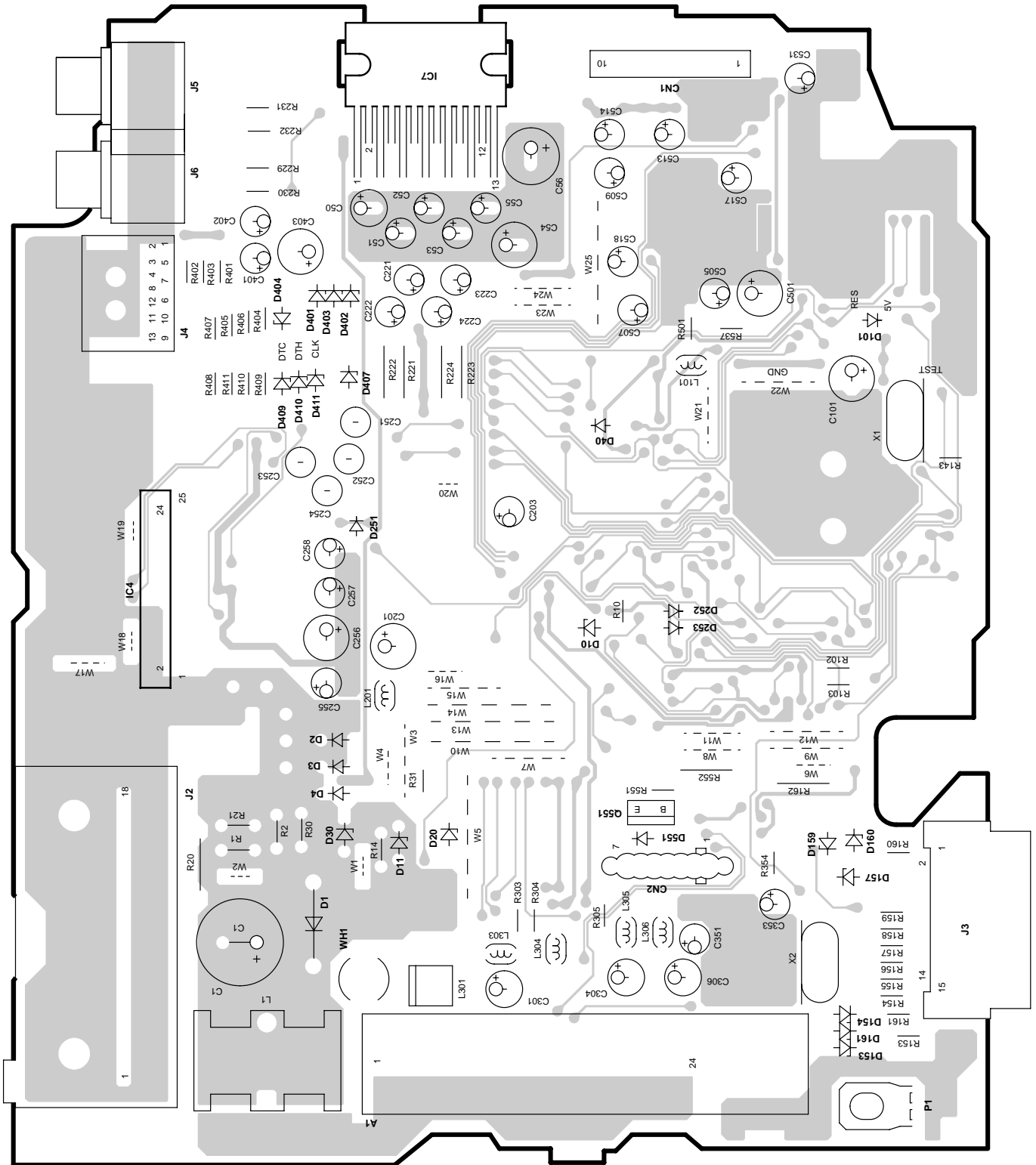
TEST MODE : ON
TEST MODE : OFF

While holding the "FM" key and preset "6" key, reset the unit.
Reset the unit.



PC BOARD (COMPONENT SIDE VIEW)

X14-689x-xx (J74-1321-02)

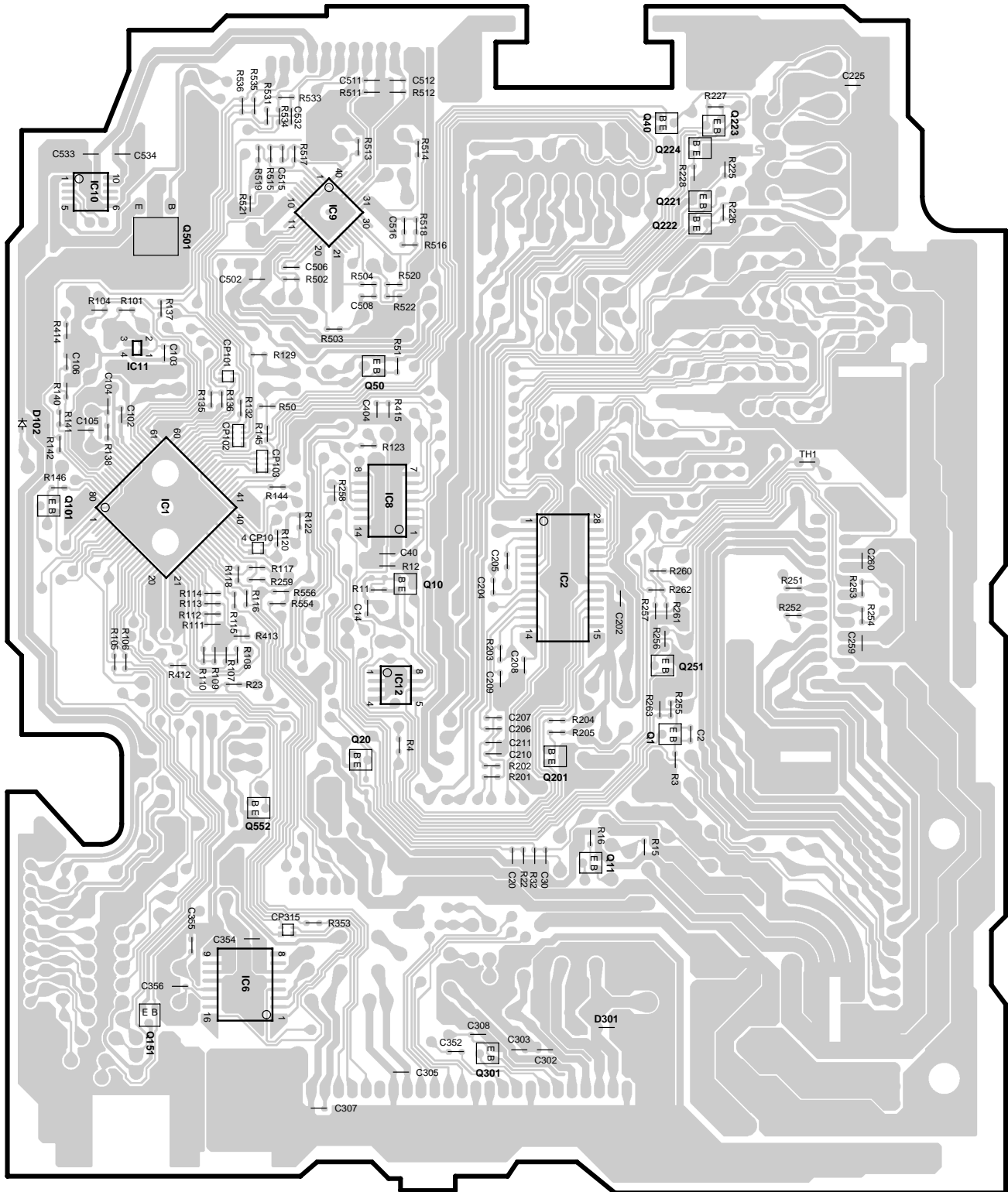


Refer to the schematic diagram for the values of resistors and capacitors.

X14-689x-xx

IC	Q	Address
4		4A
7		1C
	551	5D

PC BOARD (FOIL SIDE VIEW)



X14-689x-xx (J74-1321-02)

X14-689x-xx

IC	Q	Address	IC	Q	Address	IC	Q	Address	IC	Q	Address	IC	Q	Address
1		3F	10		2F		11	5H		151	6F		301	6H
2		4H	11		3F		20	4G		201	4H		501	2F
6		5G	12		4G		40	2H		223	2I		552	5G
8		3G		1	4H		50	3G		224	2H			
9		2G		10	4G		101	3F		251	4I			

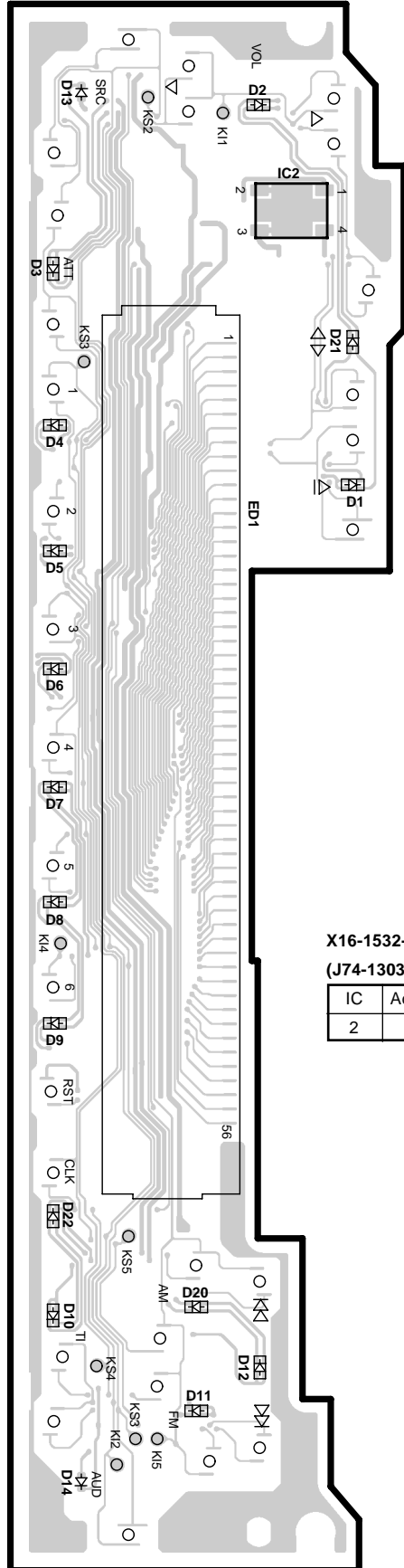
Refer to the schematic diagram for the values of resistors and capacitors.

PC BOARD (KRC-36/37/Y/391/394/Y/466R)

(COMPONENT SIDE VIEW)

(FOIL SIDE VIEW)

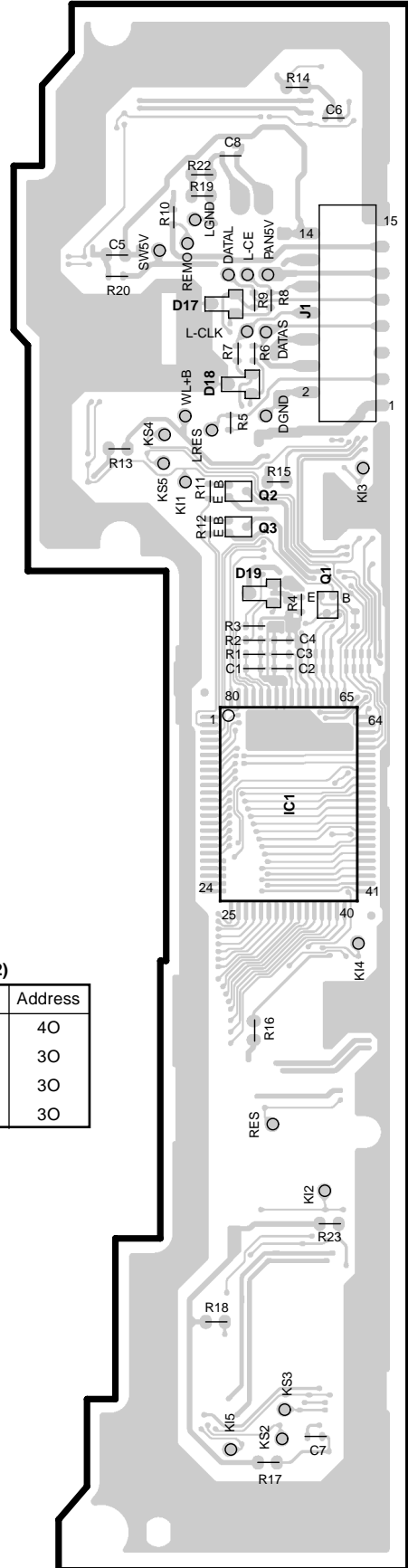
X16-1532-7x (J74-1303-02)



X16-1532-7x
(J74-1303-02)

IC	Address
2	2L

X16-1532-7x (J74-1303-02)



X16-1532-7x
(J74-1303-02)

IC	Q	Address
1	1	40
	2	30
	3	30

Refer to the schematic diagram for the values of resistors and capacitors.

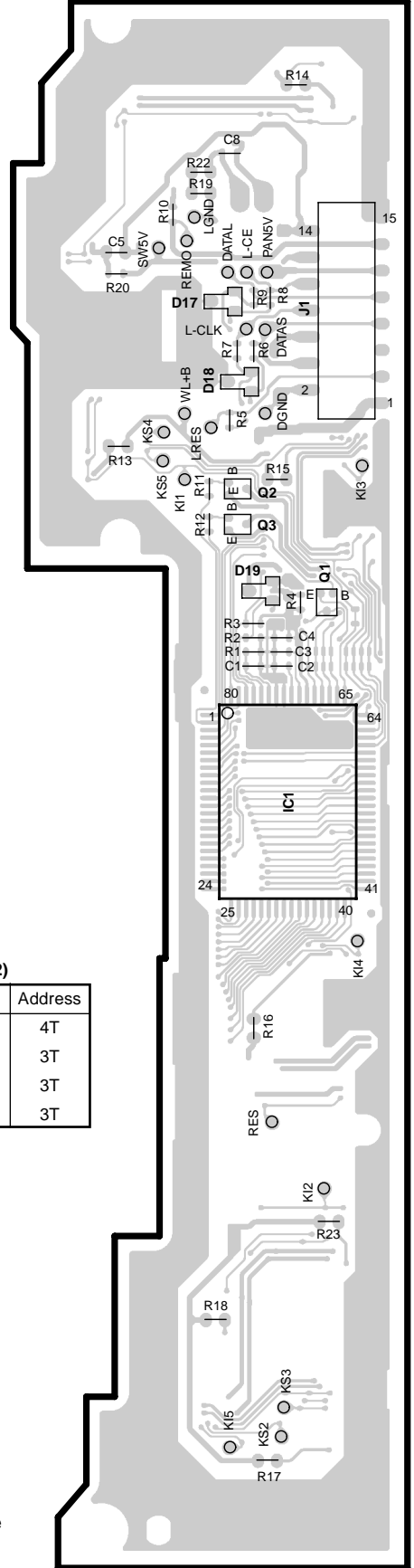
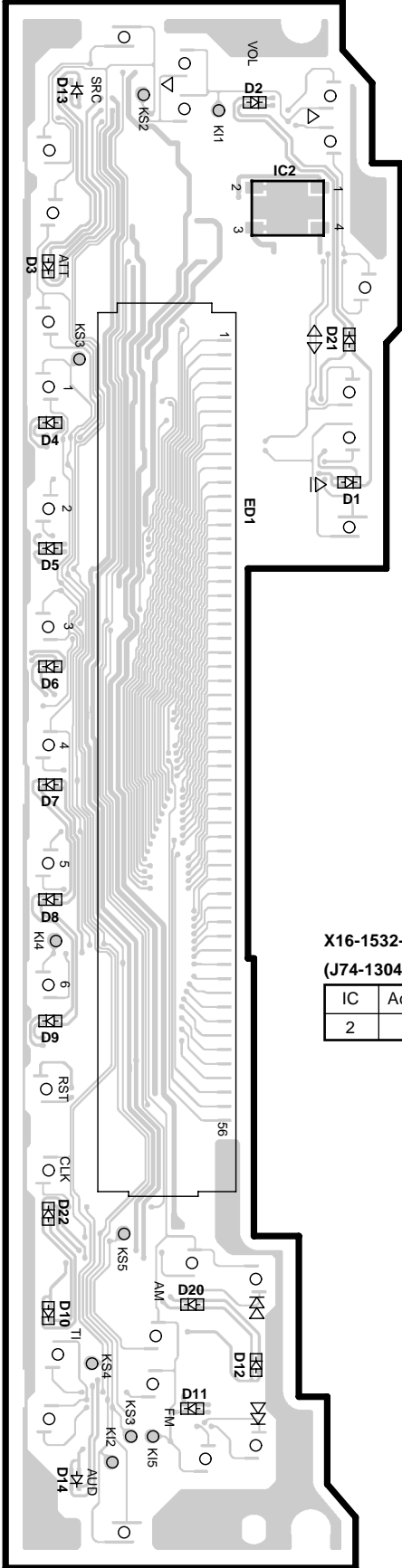
PC BOARD (KRC-31Y/366L/4904Y)

(COMPONENT SIDE VIEW)

(FOIL SIDE VIEW)

X16-1532-7x (J74-1304-02)

X16-1532-7x (J74-1304-02)



X16-1532-7x
(J74-1304-02)

IC	Address
2	2Q

X16-1532-7x
(J74-1304-02)

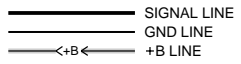
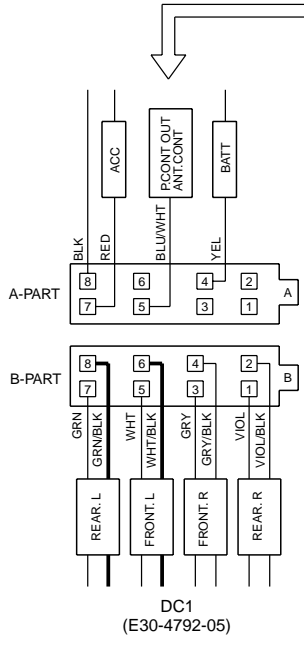
IC	Q	Address
1		4T
	1	3T
	2	3T
	3	3T

Refer to the schematic diagram for the values of resistors and capacitors.

- IC1 : *
- IC2 : TDA7407D
- IC4 : TDA7386
- IC6 : TDA7479D
- IC7 : TDA3682ST
- IC8 : HD74HC27FP
- IC9 : HA12221F
- IC10 : LB1930M
- IC11 : S-80835CNNB
- IC12 : BR24C01AF

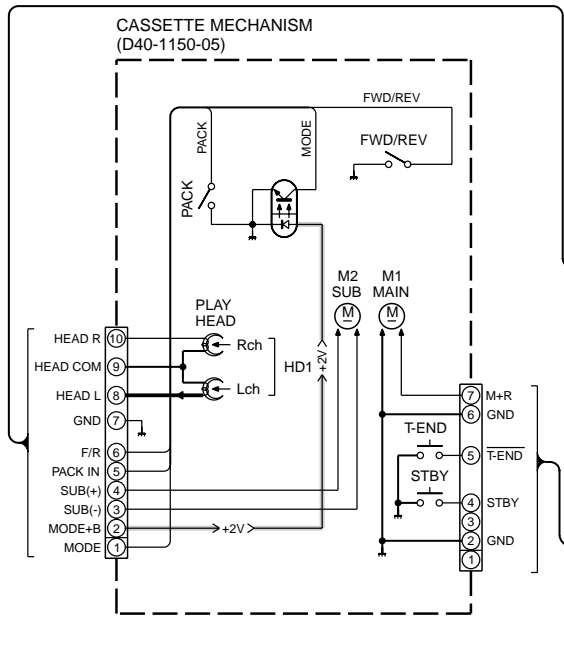
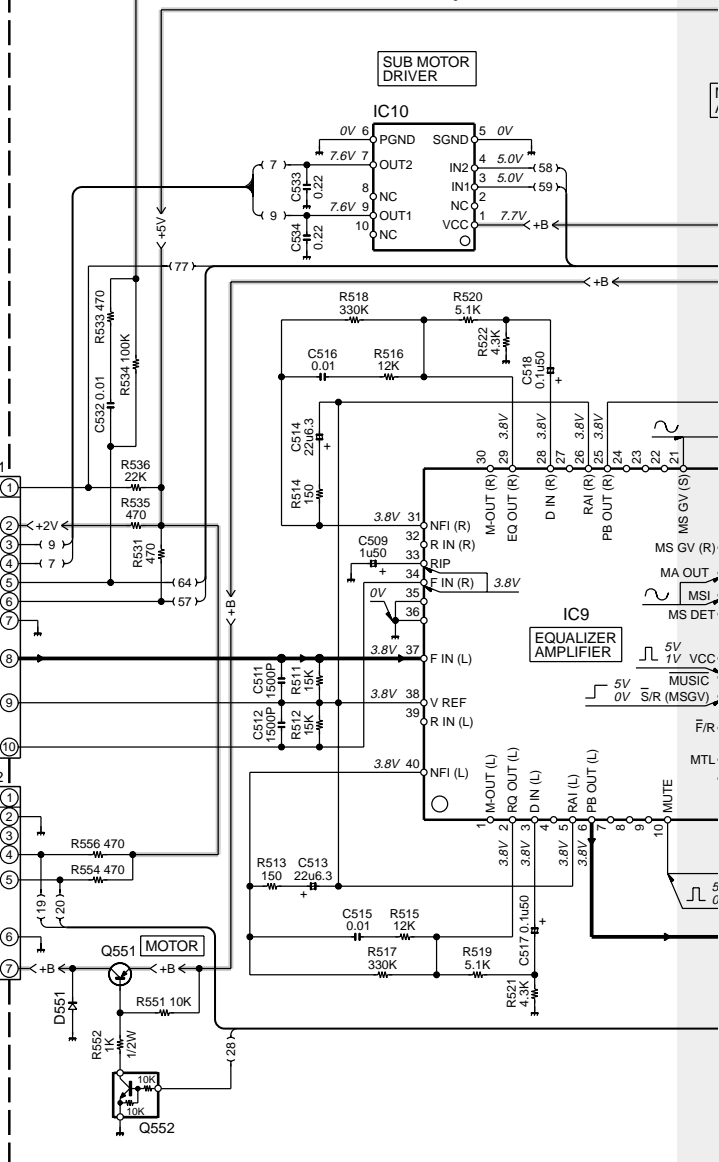
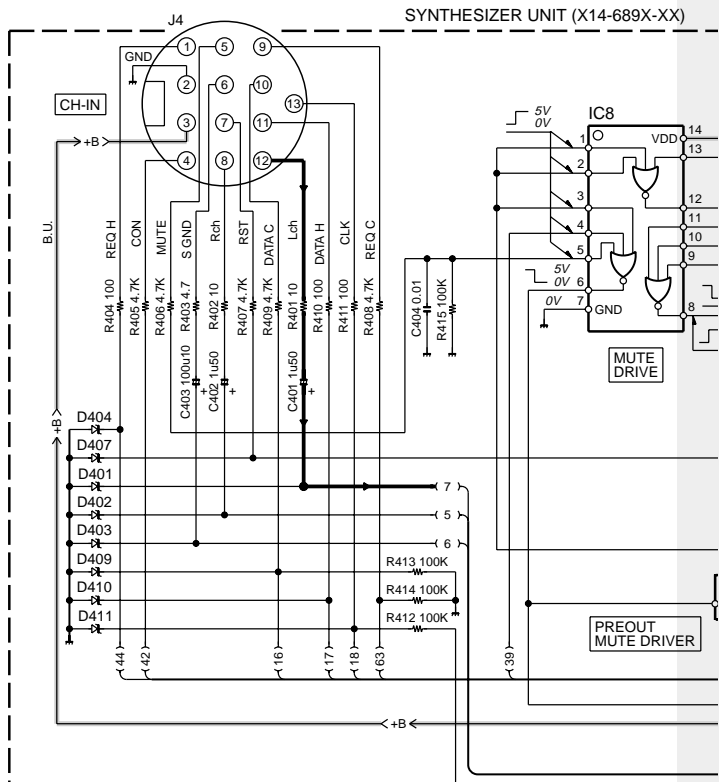
- Q1,301 : DTC124EUA or UN5212
- Q10,11,20,101,201 : 2SC4081 or 2SD1819A
- Q40 : DTA124EUA or UN5112
- Q50 : 2SA1036K
- Q151 : DTA114YUA or UN5114
- Q223,224 : DTC143TUA or UN5216
- Q251 : DTC114YUA or UN5214
- Q501 : 2SD1760
- Q551 : 2SB1443
- Q552 : DTC114EUA or UN5211

- D1 : 1N5393G-M6 or S2V20 * A
- D2,3 : 1GWJ43 (TPB5)
- D4,551 : AM01Z or ERA15-01
- D10,11,401,402 : MA4068 (N) -M
- D20 : MA4051 (N) -M
- D30 : MA4047-M or HZS5B1
- D40,101,251-253 : 1SS133
- D102 : B30-1567-05
- D153,154,157,159-161, 403,404,407,409-411 : MA4062-L or HZS6C1

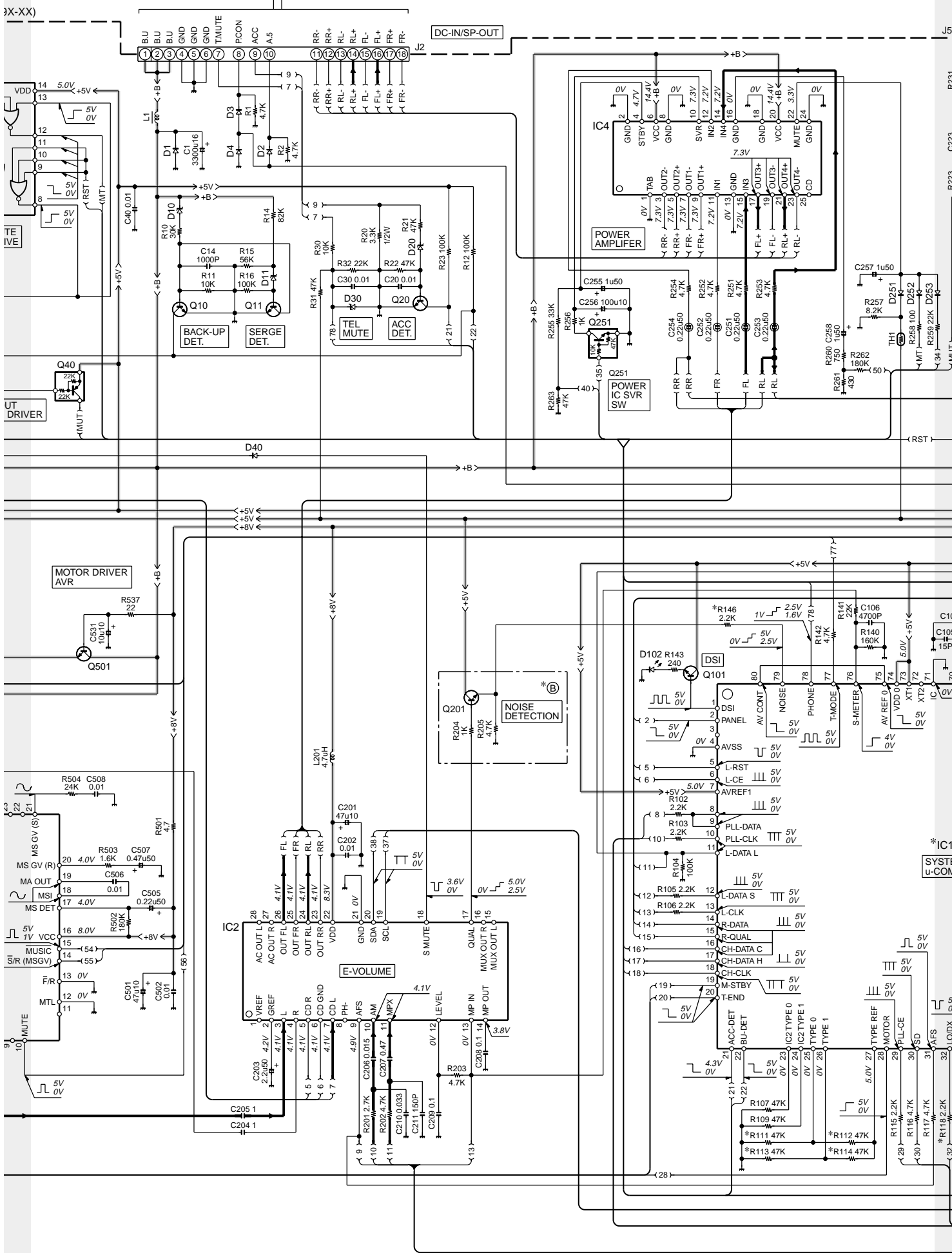


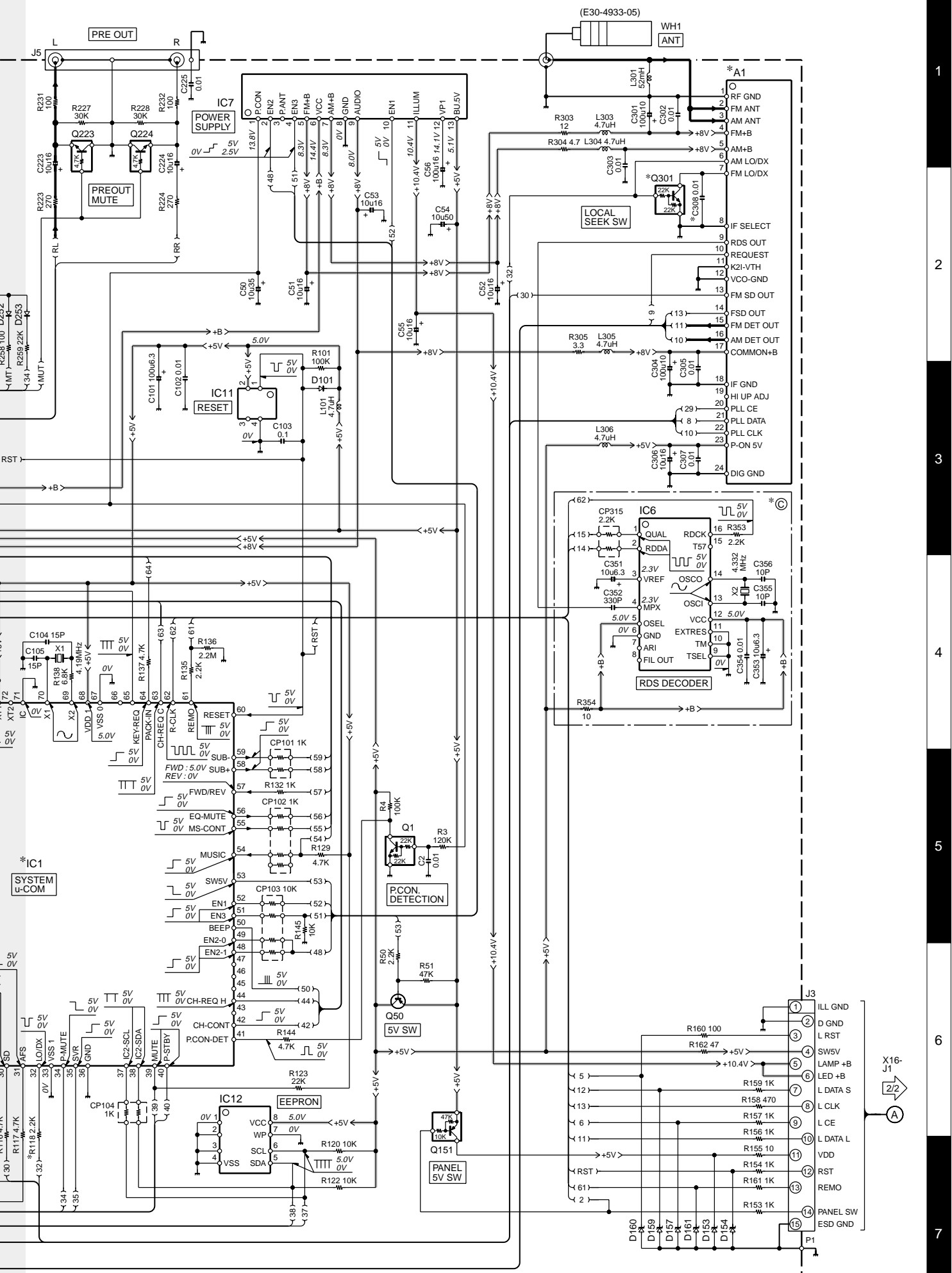
(X14-689X-XX)

MODEL NAME	UNIT No.	(B)(C)	A1	C308	IC1	R111	R112	R113	R114	R118	R146	Q301
KRC-394Y (E)												
KRC-37Y (E)												
KRC-394 (E)	2-70	YES	X86-3512-70	YES	UPD780058GC418	YES	NO	YES	NO	YES	YES	YES
KRC-37 (E)												
KRC-36 (E)												
KRC-391 (E)												
KRC-4904Y (E)	2-72	NO	X86-3512-72	NO	UPD780058GC426	NO	YES	YES	NO	NO	NO	NO
KRC-31Y (E)	2-71	NO	X86-3512-70	YES	UPD780058GC418	NO	YES	YES	NO	YES	NO	YES
KRC-366L (M)	0-22	NO	X86-3512-70	NO	UPD780058GC426	YES	NO	NO	YES	NO	NO	NO
KRC-466R (M)	0-21	YES	X86-3512-70	YES	UPD780058GC418	YES	NO	NO	YES	YES	YES	YES



CAUTION : For continued safety, replace safety critical components only with manufacturer's recommended parts (refer to parts list).
 ⚠ Indicates safety critical components. To reduce the risk of electric shock, leakage-current or resistance measurements shall be carried out (exposed parts are acceptably insulated from the supply circuit) before the appliance is returned to the customer.
 • DC voltages are as measured with a high impedance voltmeter. Values may vary slightly due to variations between individual instruments or/and units.



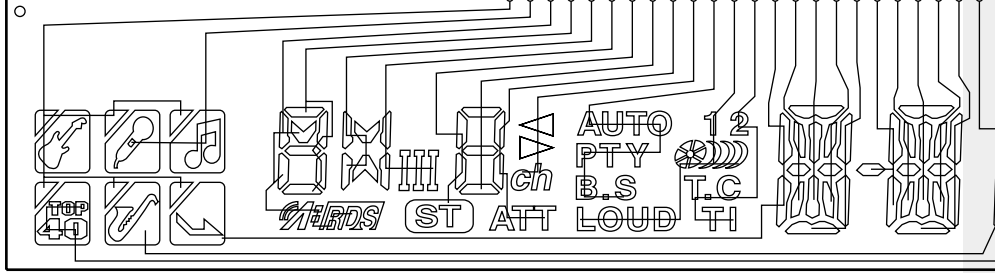


- 1
- 2
- 3
- 4
- 5
- 6
- 7

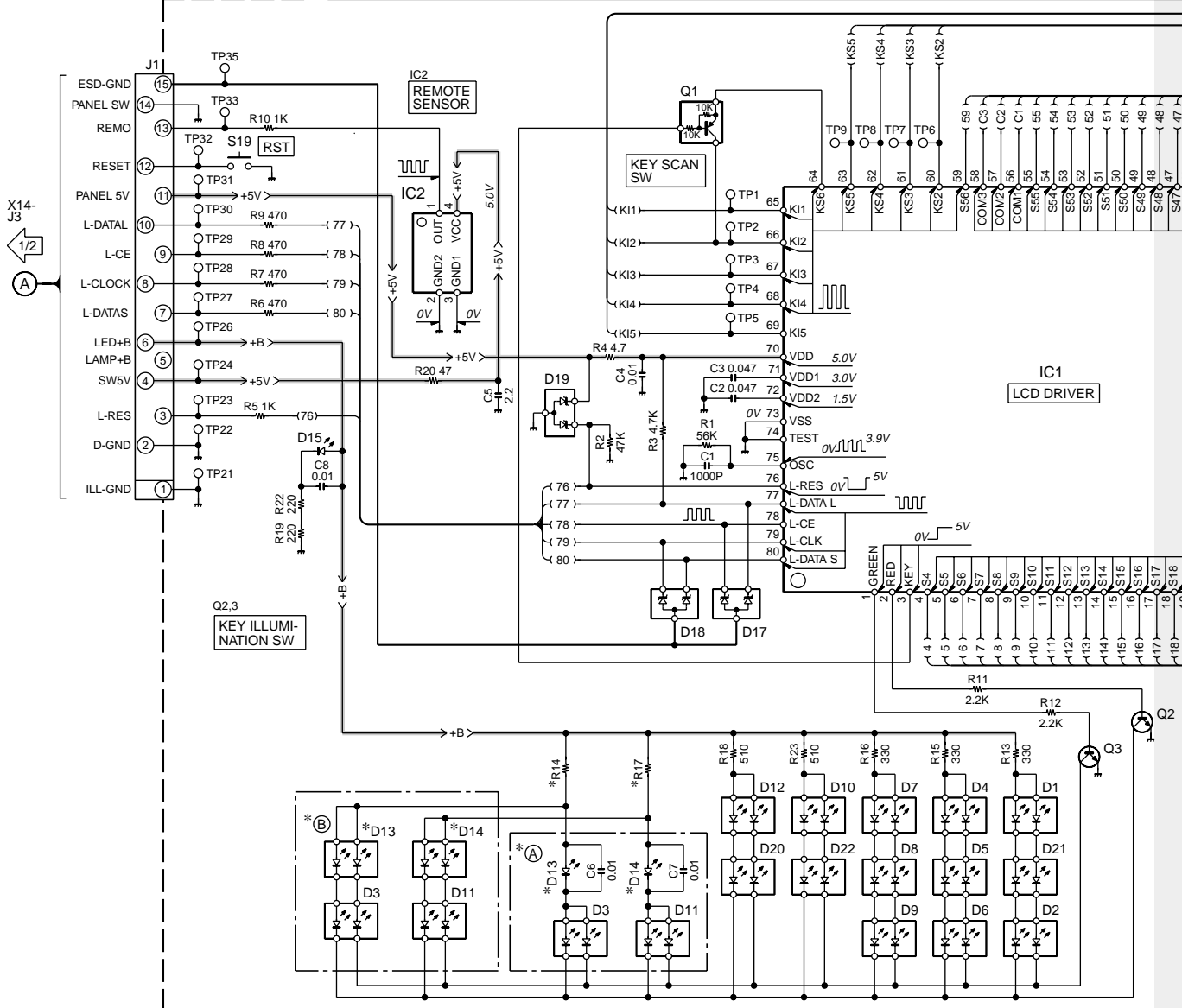
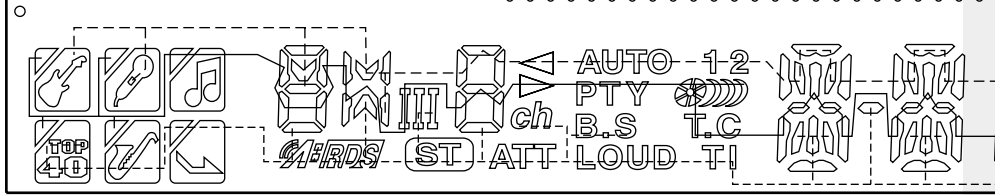
1
2
3
4
5
6
7

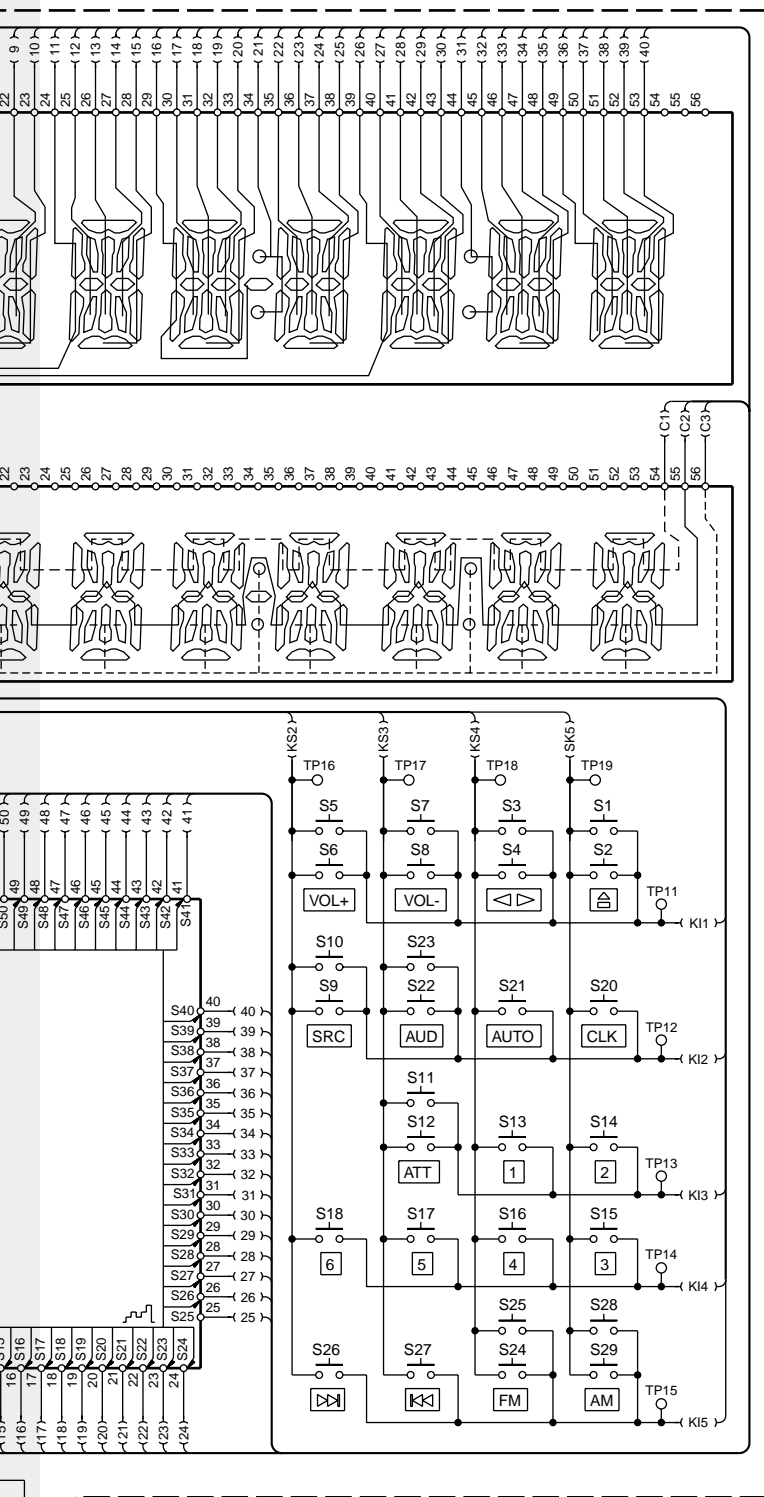
SWITCH UNIT (X16-1532-7X)

ED1 (SEGMENT)



ED1 (COMMON)



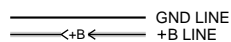


KRC-31Y/36/366L/37/Y/391/394/Y/466R/4904Y (2/2)

- IC1 : LC75883E
- IC2 : RS-171
- Q1 : DTA114EUA
- Q2,3 : 2SC4081
- D1-14,20-22 : B30-1605-05
- D13,14 : *
- D15 : B30-1633-05
- D17-19 : MA3062WA

(X16-1532-7X)

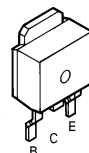
MODEL NAME	UNIT No.	(A)	(B)	D13,14	R14,17
KRC-466R (M)					
KRC-394Y (E)					
KRC-37Y (E)					
KRC-394 (E)	2-70	YES	NO	B30-1564-05	360
KRC-37 (E)					
KRC-36 (E)					
KRC-391 (E)					
KRC-366L (M)					
KRC-31Y (E)	2-71	NO	YES	B30-1605-05	470
KRC-4904Y (E)					



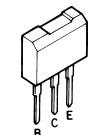
- DTC114YUA
- DTC143TUA
- UN5111
- UN5114
- UN5211
- UN5214
- UN5216
- 2SA1036K
- 2SD1819A



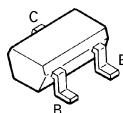
2SD1760



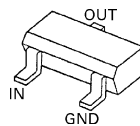
2SB1443



2SC4081



- DTA114EUA
- DTA124EUA
- DTC114EUA
- DTC124EUA



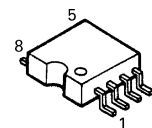
DTA114YUA



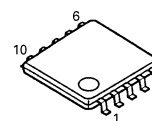
UN5212



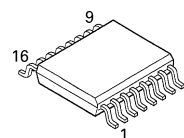
- BR24C01AF
- BR24C01AF-W



LB1930M



TDA7479D



CAUTION : For continued safety, replace safety critical components only with manufacturer's recommended parts (refer to parts list).

⚠ Indicates safety critical components. To reduce the risk of electric shock, leakage-current or resistance measurements shall be carried out (exposed parts are acceptably insulated from the supply circuit) before the appliance is returned to the customer.

- DC voltages are as measured with a high impedance voltmeter. Values may vary slightly due to variations between individual instruments or/and units.

1

2

3

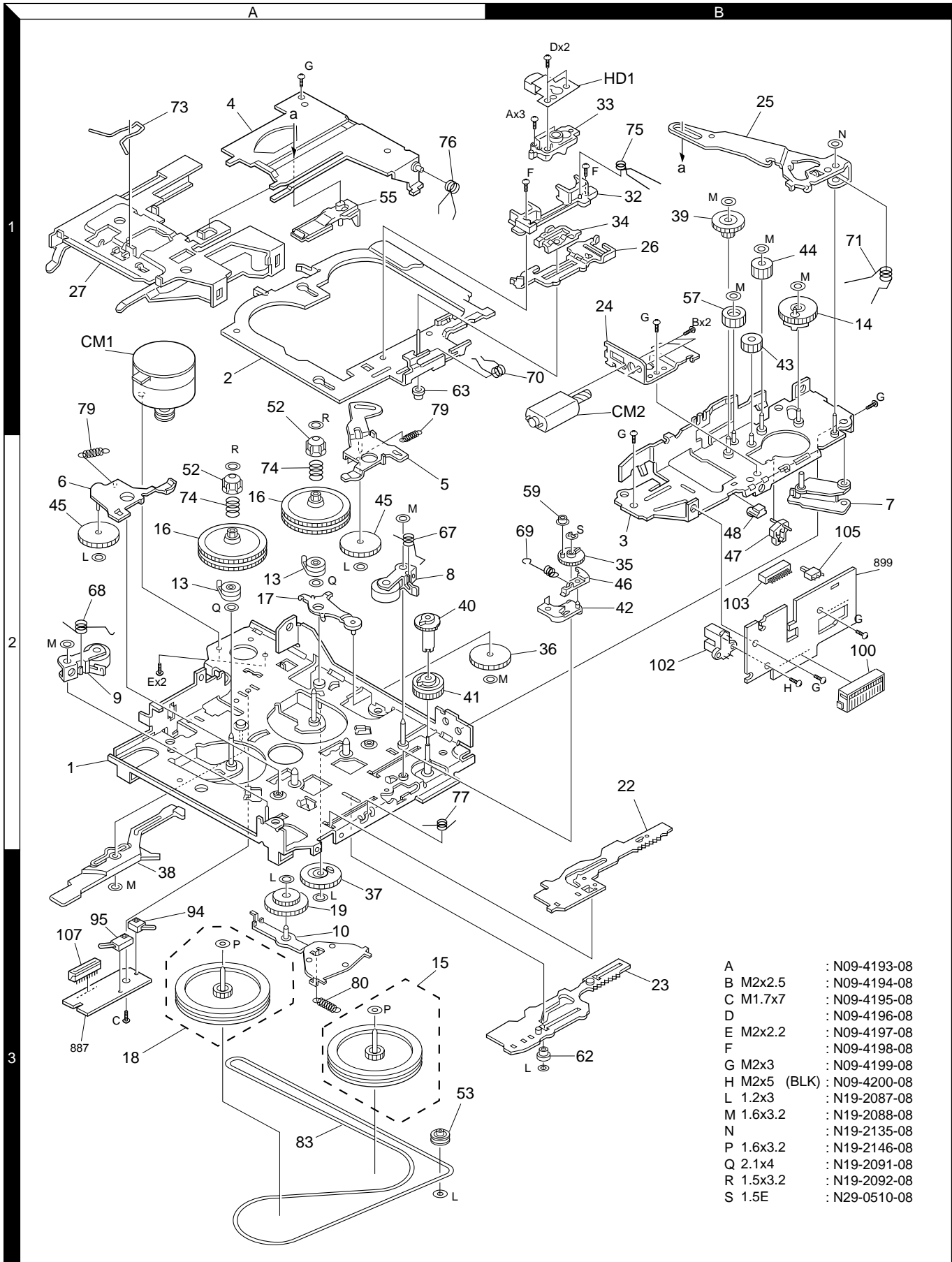
4

5

6

7

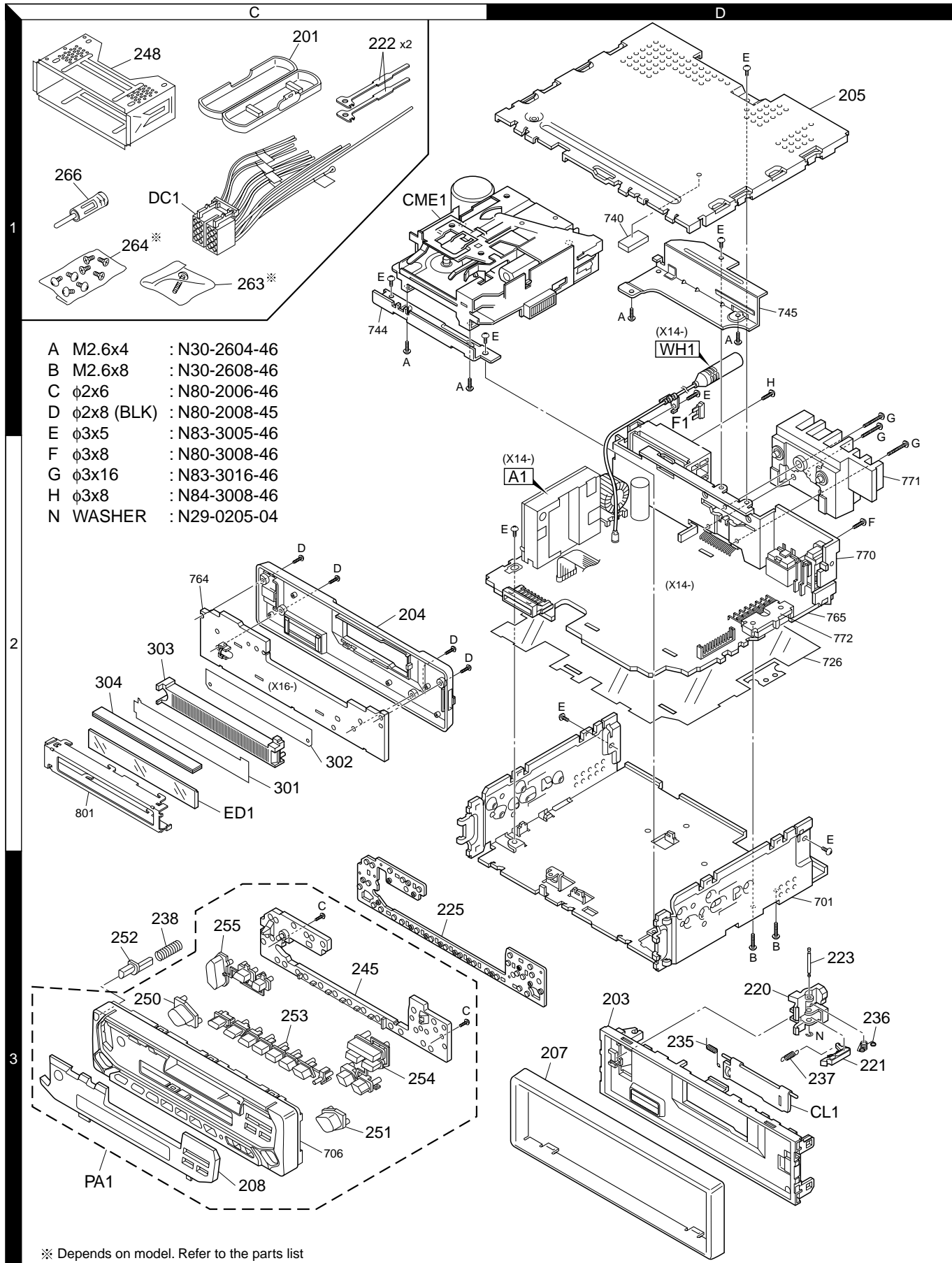
EXPLODED VIEW (MECHANISM)



A	:	N09-4193-08
B	:	M2x2.5 : N09-4194-08
C	:	M1.7x7 : N09-4195-08
D	:	N09-4196-08
E	:	M2x2.2 : N09-4197-08
F	:	N09-4198-08
G	:	M2x3 : N09-4199-08
H	:	M2x5 (BLK) : N09-4200-08
L	:	1.2x3 : N19-2087-08
M	:	1.6x3.2 : N19-2088-08
N	:	N19-2135-08
P	:	1.6x3.2 : N19-2146-08
Q	:	2.1x4 : N19-2091-08
R	:	1.5x3.2 : N19-2092-08
S	:	N29-0510-08

Parts with the exploded numbers larger than 700 are not supplied.

EXPLODED VIEW (UNIT)



- A M2.6x4 : N30-2604-46
- B M2.6x8 : N30-2608-46
- C φ2x6 : N80-2006-46
- D φ2x8 (BLK) : N80-2008-45
- E φ3x5 : N83-3005-46
- F φ3x8 : N80-3008-46
- G φ3x16 : N83-3016-46
- H φ3x8 : N84-3008-46
- N WASHER : N29-0205-04

※ Depends on model. Refer to the parts list

PARTS LIST

* New parts

Parts without **Parts No.** are not supplied.

Les articles non mentionnes dans le **Parts No.** ne sont pas fournis.

Teile ohne **Parts No.** werden nicht geliefert.

Ref. No.	Ad	New	Parts No.	Description	Desti- nation
KRC-31Y/36/366L/37/Y/391/394/Y/466R/4904Y					
201	1C		A02-1486-13	PLASTIC CABINET ASSY	
203	3D		A22-2862-01	SUB PANEL	
204	2C	*	A46-1749-11	REAR COVER	
205	1D		A52-0782-02	TOP PLATE	
CL1	3D		A53-1687-03	CASSETTE LID	
PA1	3C	*	A64-2538-02	PANEL ASSY	E3
PA1	3C		A64-2541-02	PANEL ASSY	E2
PA1	3C	*	A64-2941-02	PANEL ASSY	M2
PA1	3C	*	A64-2942-02	PANEL ASSY	M3
PA1	3C	*	A64-2945-02	PANEL ASSY	E4E
PA1	3C	*	A64-2946-02	PANEL ASSY	E6
PA1	3C	*	A64-2947-02	PANEL ASSY	E5E1
PA1	3C	*	A64-2948-02	PANEL ASSY	E7
-			B46-0100-50	WARRANTY CARD	EE1M3
-			B46-0100-50	WARRANTY CARD	E2E3M2
-			B46-0182-14	ID CARD	EE3
-			B46-0606-04	ID CARD	E1E2M2
-			B46-0606-04	ID CARD	E4E5M3
-			B46-0606-04	ID CARD	E6E7
-			B58-1365-04	CAUTION CARD	
-		*	B64-2445-00	INSTRUCTION MANUAL (ENG. T-CHI.)	M2M3
-		*	B64-2446-00	INSTRUCTION MANUAL (ARABIC)	M2M3
-		*	B64-2449-00	INST.MANUAL (ENG. DUT. ITA. SPA.)	EE1E2
-		*	B64-2449-00	INST.MANUAL (ENG.DUT. ITA. SPA.)	E3
-		*	B64-2450-00	INSTRUC. MANUAL (FRE. GER. POR.)	EE1E2
-		*	B64-2450-00	INSTRUC. MANUAL (FRE. GER. POR.)	E3
-		*	B64-2451-00	INST.MANUAL (ENG.RUS. POL. CZE.)	E4E5E6
-		*	B64-2452-00	INSTRUC. MANUAL (HUN. CRO. SLO.)	E4E5E6
-		*	B64-2453-00	INSTRUCTION MANUAL (ENG. RUS.)	E7
207	3D		B07-3001-02	ESCUTCHEON	EE1M2
207	3D		B07-3001-02	ESCUTCHEON	E4E5M3
207	3D		B07-3001-02	ESCUTCHEON	E6E7
207	3D		B07-3054-02	ESCUTCHEON	E2E3
208	3C		B10-4127-01	FRONT GLASS	E3
208	3C	*	B10-4130-01	FRONT GLASS	E2
208	3C	*	B10-4363-01	FRONT GLASS	M2
208	3C	*	B10-4364-01	FRONT GLASS	M3
208	3C	*	B10-4366-01	FRONT GLASS	E4E
208	3C	*	B10-4367-01	FRONT GLASS	E6
208	3C	*	B10-4368-01	FRONT GLASS	E5E1
208	3C	*	B10-4369-01	FRONT GLASS	E7
220	3D		D10-4446-03	LEVER	
221	3D		D10-4447-03	LEVER	
222	1C		D10-4589-04	LEVER	
223	3D		D21-2329-04	SHAFT	
CME1	1C		D40-1150-05	CASSETTE MECHANISM ASSY	
225	3C		E29-1880-02	CONDUCTIVE RUBBER	
△ DC1	1C		E30-4792-05	DC CORD	
△ F1	2D		F52-0006-05	FUSE(MINI BLADE TYPE)	
235	3D		G01-2525-04	TORSION COIL SPRING	
236	3D		G01-2987-04	TORSION COIL SPRING	

Ref. No.	Ad	New	Parts No.	Description	Desti- nation
237	3D		G01-3096-04	EXTENSION SPRING	
238	3C	*	G01-3149-04	COMPRESSION SPRING	
-			H10-4696-22	POLYSTYRENE FOAMED FIXTURE	
-			H25-0329-04	PROTECTION BAG (280X450X0.03)	M2E4E5
-			H25-0329-04	PROTECTION BAG (280X450X0.03)	M3E6E7
-			H25-0337-04	PROTECTION BAG (180X300X0.03)	
-			H25-1111-04	PROTECTION BAG (280X450X0.03)	EE1E2
-			H25-1111-04	PROTECTION BAG (280X450X0.03)	E3
-		*	H54-2695-03	ITEM CARTON CASE	M2
-		*	H54-2696-03	ITEM CARTON CASE	M3
-		*	H54-2698-03	ITEM CARTON CASE	E
-		*	H54-2699-03	ITEM CARTON CASE	E1
-		*	H54-2700-03	ITEM CARTON CASE	E4
-		*	H54-2701-03	ITEM CARTON CASE	E6
-		*	H54-2702-03	ITEM CARTON CASE	E5
-		*	H54-2703-03	ITEM CARTON CASE	E7
-		*	H54-2822-03	ITEM CARTON CASE	E2
-		*	H54-2823-03	ITEM CARTON CASE	E3
245	3C		J19-5128-02	HOLDER	
248	1C		J21-9716-03	MOUNTING HARDWARE ASSY	
250	3C		K24-3820-04	KNOB (SRC)	
251	3C		K24-3821-04	KNOB (AUD)	
252	3C		K24-3822-04	KNOB (REL)	
253	3C		K25-1392-03	KNOB (1-6)	
254	3C		K25-1393-03	KNOB (FM/AM)	
255	3C		K25-1395-03	KNOB (VOL)	
263	1C		N99-1610-15	SCREW SET	M2M3
264	1C		N99-1719-05	SCREW SET	M2M3
A	2D		N30-2604-46	PAN HEAD MACHINE SCREW	
B	3D		N30-2608-46	PAN HEAD MACHINE SCREW	
C	2C		N80-2006-46	PAN HEAD TAPTITE SCREW	
D	2C		N80-2008-45	PAN HEAD TAPTITE SCREW	
E	1D		N83-3005-46	PAN HEAD TAPTITE SCREW	
N	3D		N29-0205-04	RETAINING RING (1.5)	
266	1C		T90-0523-05	ANTENNA ADAPTOR	
SYNTHESIZER UNIT (X14-689x-xx)					
D102			B30-1567-05	LED(1608,RED)	
C1			C90-5242-05	ELECTRO 3300UF 16WV	
C2			CK73GB1H103K	CHIP C 0.010UF K	
C14			CK73GB1H102K	CHIP C 1000PF K	
C20			CK73GB1H103K	CHIP C 0.010UF K	
C30			CK73GB1H103K	CHIP C 0.010UF K	
C40			CK73GB1H103K	CHIP C 0.010UF K	
C50			CE04CW1V100M	ELECTRO 10UF 35WV	
C51-53			C90-2597-05	ELECTRO 10UF 16WV	
C54			CE04CW1H100M	ELECTRO 10UF 50WV	
C55			C90-2597-05	ELECTRO 10UF 16WV	
C56			CE04CW1C101M	ELECTRO 100UF 16WV	
C101			CE04CW0J101M	ELECTRO 100UF 6.3WV	
C102			CK73GB1H103K	CHIP C 0.010UF K	
C103			CK73GB1C104K	CHIP C 0.10UF K	

E : KRC-394 E4 : KRC-394Y M2 : KRC-466R
 E1 : KRC-37 E5 : KRC-37Y M3 : KRC-366L
 E2 : KRC-36 E6 : KRC-31Y
 E3 : KRC-391 E7 : KRC-4904Y

△ Indicates safety critical components.

PARTS LIST

* New parts

Parts without **Parts No.** are not supplied.

Les articles non mentionnes dans le **Parts No.** ne sont pas fournis.

Teile ohne **Parts No.** werden nicht geliefert.

SYNTHESIZER UNIT (X14-689x-xx)

Ref. No.	A d	N e w	Parts No.	Description	Desti- nation	Ref. No.	A d	N e w	Parts No.	Description	Desti- nation
C103			CK73GB1H104K	CHIP C 0.10UF K		C511,512			CK73GB1H152K	CHIP C 1500PF K	
C104,105			CC73GCH1H150J	CHIP C 15PF J		C513,514			CE04CW0J220M	ELECTRO 22UF 6.3WV	
C106			CK73GB1H472K	CHIP C 4700PF K		C515,516			CK73GB1H103K	CHIP C 0.010UF K	
C201			CE04CW1A470M	ELECTRO 47UF 10WV		C517,518			C90-2602-05	ELECTRO 0.10UF 50WV	
C202			CK73GB1H103K	CHIP C 0.010UF K		C531			C90-2594-05	ELECTRO 10UF 10WV	
C203			C90-2610-05	ELECTRO 2.2UF 50WV		C532			CK73GB1H103K	CHIP C 0.010UF K	
C204,205			CK73GB0J105K	CHIP C 1.0UF K		C533,534			CK73GB1A224K	CHIP C 0.22UF K	
C206			CK73GB1H153K	CHIP C 0.015UF K		CN1			E40-9541-05	PIN ASSY	
C207			CK73GB1A474K	CHIP C 0.47UF K		J2			E58-0902-05	RECTANGULAR RECEPTACLE	
C208,209			CK73GB1C104K	CHIP C 0.10UF K	△	J3			E58-0879-05	RECTANGULAR RECEPTACLE	
C208,209			CK73GB1H104K	CHIP C 0.10UF K		J4			E56-0834-05	CYLINDRICAL RECEPTACLE	
C210			CK73GB1E333K	CHIP C 0.033UF K		J5			E63-0013-05	PIN JACK	
C210			CK73GB1H333K	CHIP C 0.033UF K		WH1			E30-4933-05	CORD WITH PLUG (ANT)	
C211			CC73GCH1H151J	CHIP C 150PF J		L1			L33-1063-15	CHOKE COIL	
C223,224			C90-2597-05	ELECTRO 10UF 16WV	△	L101			L40-4795-91	SMALL FIXED INDUCTOR (4.7UH,J)	
C225			CK73GB1H103K	CHIP C 0.010UF K		L201			L40-4795-91	SMALL FIXED INDUCTOR (4.7UH,J)	
C251-254			C90-5296-05	NP-ELECT 0.22UF 50WV		L301			L33-1123-05	LINE FILTER COIL	
C255			C90-2608-05	ELECTRO 1.0UF 50WV		L303-306			L40-4795-91	SMALL FIXED INDUCTOR (4.7UH,J)	
C256			CE04CW1A101M	ELECTRO 100UF 10WV		X1			L77-1167-05	CRYSTAL RESONATOR (4.19M)	
C257			C90-2608-05	ELECTRO 1.0UF 50WV		X2			L77-2002-05	CRYSTAL RESONATOR	E2E3E4
C258			C90-2935-05	ELECTRO 1.0UF 50WV		X2			L77-2002-05	CRYSTAL RESONATOR	E5
C301			CE04DW1A101M	ELECTRO 100UF 10WV		X2			L77-2002-05	CRYSTAL RESONATOR	M2EE1
C302,303			CK73GB1H103K	CHIP C 0.010UF K		E	2D		N83-3005-46	PAN HEAD TAPTITE SCREW	
C304			CE04DW1A101M	ELECTRO 100UF 10WV		F	2D		N80-3008-46	PAN HEAD TAPTITE SCREW	
C305			CK73GB1H103K	CHIP C 0.010UF K		G	2D		N83-3016-46	PAN HEAD TAPTITE SCREW	
C306			CE04DW1C100M	ELECTRO 10UF 16WV		H	2D		N84-3008-46	PAN HEAD TAPTITE SCREW	
C307			CK73GB1H103K	CHIP C 0.010UF K	M3E7	CP101			R90-1046-05	MULTI-COMP 1K X2	
C307,308			CK73GB1H103K	CHIP C 0.010UF K	E2E3E4	CP102			R90-1053-05	MULTIPLE RESISTOR	
C307,308			CK73GB1H103K	CHIP C 0.010UF K	E5E6	CP103			R90-1056-05	MULTIPLE RESISTOR	
C307,308			CK73GB1H103K	CHIP C 0.010UF K	M2EE1	CP104			R90-1046-05	MULTI-COMP 1K X2	
C351			C90-2592-05	ELECTRO 10UF 6.3WV	E2E3E4	CP315			R90-1047-05	MULTI-COMP 2.2KX2	E2E3E4
C351			C90-2592-05	ELECTRO 10UF 6.3WV	E5	CP315			R90-1047-05	MULTI-COMP 2.2KX2	E5
C351			C90-2592-05	ELECTRO 10UF 6.3WV	M2EE1	R1,2			RD14BB2C472J	RD 4.7K J 1/6W	
C352			CC73GCH1H331J	CHIP C 330PF J	E2E3E4	R3			RK73GB2A124J	CHIP R 120K J 1/10W	
C352			CC73GCH1H331J	CHIP C 330PF J	E5	R4			RK73GB2A104J	CHIP R 100K J 1/10W	
C352			CC73GCH1H331J	CHIP C 330PF J	M2EE1	R10			RD14BB2C303J	RD 30K J 1/6W	
C353			C90-2592-05	ELECTRO 10UF 6.3WV	E2E3E4	R11			RK73GB2A103J	CHIP R 10K J 1/10W	
C353			C90-2592-05	ELECTRO 10UF 6.3WV	E5	R12			RK73GB2A104J	CHIP R 100K J 1/10W	
C353			C90-2592-05	ELECTRO 10UF 6.3WV	M2EE1	R14			RD14BB2C823J	RD 82K J 1/6W	
C354			CK73GB1H103K	CHIP C 0.010UF K	E2E3E4	R15			RK73GB2A563J	CHIP R 56K J 1/10W	
C354			CK73GB1H103K	CHIP C 0.010UF K	E5	R16			RK73GB2A104J	CHIP R 100K J 1/10W	
C354			CK73GB1H103K	CHIP C 0.010UF K	M2EE1	R20			RD14DB2H332J	SMALL-RD 3.3K J 1/2W	
C355,356			CC73GCH1H100D	CHIP C 10PF D	E2E3E4	R21			RD14BB2C473J	RD 47K J 1/6W	
C355,356			CC73GCH1H100D	CHIP C 10PF D	E5	R22			RK73GB2A473J	CHIP R 47K J 1/10W	
C355,356			CC73GCH1H100D	CHIP C 10PF D	M2EE1	R23			RK73GB2A104J	CHIP R 100K J 1/10W	
C401,402			C90-2608-05	ELECTRO 1.0UF 50WV		R30			RD14BB2C103J	RD 10K J 1/6W	
C403			CE04CW1A101M	ELECTRO 100UF 10WV		R31			RD14BB2C473J	RD 47K J 1/6W	
C404			CK73GB1H103K	CHIP C 0.010UF K		R32			RK73GB2A223J	CHIP R 22K J 1/10W	
C501			CE04CW1A470M	ELECTRO 47UF 10WV		R50			RK73GB2A222J	CHIP R 2.2K J 1/10W	
C502			CK73GB1H103K	CHIP C 0.010UF K		R51			RK73GB2A473J	CHIP R 47K J 1/10W	
C505			C90-2604-05	ELECTRO 0.22UF 50WV		R101			RK73GB2A104J	CHIP R 100K J 1/10W	
C506			CK73GB1H103K	CHIP C 0.010UF K		R102,103			RD14BB2C222J	RD 2.2K J 1/6W	
C507			C90-2606-05	ELECTRO 0.47UF 50WV							
C508			CK73GB1H103K	CHIP C 0.010UF K							
C509			C90-2608-05	ELECTRO 1.0UF 50WV							

E : KRC-394 E4 : KRC-394Y M2 : KRC-466R
 E1 : KRC-37 E5 : KRC-37Y M3 : KRC-366L
 E2 : KRC-36 E6 : KRC-31Y
 E3 : KRC-391 E7 : KRC-4904Y

△ Indicates safety critical components.

PARTS LIST

* New parts

Parts without **Parts No.** are not supplied.

Les articles non mentionnes dans le **Parts No.** ne sont pas fournis.

Teile ohne **Parts No.** werden nicht geliefert.

SYNTHESIZER UNIT (X14-689x-xx)

Ref. No.	A d d	N e w	Parts No.	Description	Desti- nation	Ref. No.	A d d	N e w	Parts No.	Description	Desti- nation
R104			RK73GB2A104J	CHIP R 100K J 1/10W		R256			RK73FB2B102J	CHIP R 1.0K J 1/8W	
R105,106			RK73GB2A222J	CHIP R 2.2K J 1/10W		R257			RK73GB2A822J	CHIP R 8.2K J 1/10W	
R107			RK73GB2A473J	CHIP R 47K J 1/10W		R258			RK73FB2B101J	CHIP R 100 J 1/8W	
R109			RK73GB2A473J	CHIP R 47K J 1/10W		R259			RK73GB2A223J	CHIP R 22K J 1/10W	
R111			RK73GB2A473J	CHIP R 47K J 1/10W	E2E3E4	R260			RK73GB2A751J	CHIP R 750 J 1/10W	
R111			RK73GB2A473J	CHIP R 47K J 1/10W	E5M3	R261			RK73GB2A431J	CHIP R 430 J 1/10W	
R111			RK73GB2A473J	CHIP R 47K J 1/10W	M2EE1	R262			RK73GB2A184J	CHIP R 180K J 1/10W	
R112,113			RK73GB2A473J	CHIP R 47K J 1/10W	E6E7	R263			RK73GB2A473J	CHIP R 47K J 1/10W	
R113			RK73GB2A473J	CHIP R 47K J 1/10W	E1E2E3	R303			RD14BB2C120J	RD 12 J 1/6W	
R113			RK73GB2A473J	CHIP R 47K J 1/10W	E4E5E	R304			RD14BB2C4R7J	RD 4.7 J 1/6W	
R114			RK73GB2A473J	CHIP R 47K J 1/10W	M2M3	R305			RD14BB2C2R2J	RD 2.2 J 1/6W	E7
R115			RK73GB2A222J	CHIP R 2.2K J 1/10W		R305			RD14BB2C3R3J	RD 3.3 J 1/6W	E2E3E4
R116,117			RK73GB2A472J	CHIP R 4.7K J 1/10W		R305			RD14BB2C3R3J	RD 3.3 J 1/6W	E5M3E6
R118			RK73GB2A222J	CHIP R 2.2K J 1/10W	E2E3E4	R305			RD14BB2C3R3J	RD 3.3 J 1/6W	M2EE1
R118			RK73GB2A222J	CHIP R 2.2K J 1/10W	E5E6	R353			RK73GB2A222J	CHIP R 2.2K J 1/10W	E2E3E4
R118			RK73GB2A222J	CHIP R 2.2K J 1/10W	M2EE1	R353			RK73GB2A222J	CHIP R 2.2K J 1/10W	E5
R120			RK73GB2A103J	CHIP R 10K J 1/10W		R353			RK73GB2A222J	CHIP R 2.2K J 1/10W	M2EE1
R122			RK73GB2A103J	CHIP R 10K J 1/10W		R354			RD14BB2C100J	RD 10 J 1/6W	E2E3E4
R123			RK73GB2A223J	CHIP R 22K J 1/10W		R354			RD14BB2C100J	RD 10 J 1/6W	E5
R129			RK73GB2A472J	CHIP R 4.7K J 1/10W		R354			RD14BB2C100J	RD 10 J 1/6W	M2EE1
R132			RK73GB2A102J	CHIP R 1.0K J 1/10W		R401,402			RD14BB2C100J	RD 10 J 1/6W	
R135			RK73GB2A222J	CHIP R 2.2K J 1/10W		R403			RD14BB2C4R7J	RD 4.7 J 1/6W	
R136			RK73GB2A225J	CHIP R 2.2M J 1/10W		R404			RD14BB2C101J	RD 100 J 1/6W	
R137			RK73GB2A472J	CHIP R 4.7K J 1/10W		R405-409			RD14BB2C472J	RD 4.7K J 1/6W	
R138			RK73GB2A682J	CHIP R 6.8K J 1/10W		R410,411			RD14BB2C101J	RD 100 J 1/6W	
R140			RK73GB2A164J	CHIP R 160K J 1/10W		R412-415			RK73GB2A104J	CHIP R 100K J 1/10W	
R141			RK73GB2A223J	CHIP R 22K J 1/10W		R501			RD14BB2C4R7J	RD 4.7 J 1/6W	
R142			RK73GB2A472J	CHIP R 4.7K J 1/10W		R502			RK73GB2A184J	CHIP R 180K J 1/10W	
R143			RD14BB2C241J	RD 240 J 1/6W		R503			RK73GB2A162J	CHIP R 1.6K J 1/10W	
R144			RK73GB2A472J	CHIP R 4.7K J 1/10W		R504			RK73GB2A243J	CHIP R 24K J 1/10W	
R145			RK73GB2A103J	CHIP R 10K J 1/10W		R511,512			RK73GB2A153J	CHIP R 15K J 1/10W	
R146			RK73GB2A222J	CHIP R 2.2K J 1/10W	E2E3E4	R513,514			RK73GB2A151J	CHIP R 150 J 1/10W	
R146			RK73GB2A222J	CHIP R 2.2K J 1/10W	E5	R515,516			RK73GB2A123J	CHIP R 12K J 1/10W	
R146			RK73GB2A222J	CHIP R 2.2K J 1/10W	M2EE1	R517,518			RK73GB2A334J	CHIP R 330K J 1/10W	
R153,154			RD14BB2C102J	RD 1.0K J 1/6W		R519,520			RK73GB2A512J	CHIP R 5.1K J 1/10W	
R155			RD14BB2C100J	RD 10 J 1/6W		R521,522			RK73GB2A432J	CHIP R 4.3K J 1/10W	
R156,157			RD14BB2C102J	RD 1.0K J 1/6W		R531			RK73GB2A471J	CHIP R 470 J 1/10W	
R158			RD14BB2C471J	RD 470 J 1/6W		R533			RK73GB2A471J	CHIP R 470 J 1/10W	
R159			RD14BB2C102J	RD 1.0K J 1/6W		R534			RK73GB2A104J	CHIP R 100K J 1/10W	
R160			RD14BB2C101J	RD 100 J 1/6W		R535			RK73GB2A471J	CHIP R 470 J 1/10W	
R161			RD14BB2C102J	RD 1.0K J 1/6W		R536			RK73GB2A223J	CHIP R 22K J 1/10W	
R162			RD14BB2C470J	RD 47 J 1/6W		R537			RD14BB2C220J	RD 22 J 1/6W	
R201			RK73GB2A272J	CHIP R 2.7K J 1/10W		R551			RD14BB2C103J	RD 10K J 1/6W	
R202,203			RK73GB2A472J	CHIP R 4.7K J 1/10W		R552			RD14DB2H102J	SMALL-RD 1.0K J 1/2W	
R204			RK73GB2A102J	CHIP R 1.0K J 1/10W	E2E3E4	R554			RK73GB2A471J	CHIP R 470 J 1/10W	
R204			RK73GB2A102J	CHIP R 1.0K J 1/10W	E5	R556			RK73GB2A471J	CHIP R 470 J 1/10W	
R204			RK73GB2A102J	CHIP R 1.0K J 1/10W	M2EE1	D1			S2V20*A	DIODE	
R205			RK73GB2A472J	CHIP R 4.7K J 1/10W	E2E3E4	D1			1N5393G-M6	DIODE	
R205			RK73GB2A472J	CHIP R 4.7K J 1/10W	E5	D2,3			1GWJ43(TPB5)	DIODE	
R205			RK73GB2A472J	CHIP R 4.7K J 1/10W	M2EE1	D4			AM01Z	DIODE	
R223,224			RD14BB2C271J	RD 270 J 1/6W		D4			ERA15-01	DIODE	
R227,228			RK73GB2A303J	CHIP R 30K J 1/10W		D10,11			MA4068(N)-M	ZENER DIODE	
R231,232			RD14BB2C101J	RD 100 J 1/6W		D20			MA4051(N)-M	ZENER DIODE	
R251-254			RK73GB2A472J	CHIP R 4.7K J 1/10W		D30			HZS5B1	ZENER DIODE	
R255			RK73GB2A333J	CHIP R 33K J 1/10W							

E : KRC-394 E4 : KRC-394Y M2 : KRC-466R
 E1 : KRC-37 E5 : KRC-37Y M3 : KRC-366L
 E2 : KRC-36 E6 : KRC-31Y
 E3 : KRC-391 E7 : KRC-4904Y

△ Indicates safety critical components.

PARTS LIST

* New parts

Parts without **Parts No.** are not supplied.

Les articles non mentionnes dans le **Parts No.** ne sont pas fournis.

Teile ohne **Parts No.** werden nicht geliefert.

SYNTHESIZER UNIT (X14-689x-xx)

Ref. No.	A d	N e w	Parts No.	Description	Desti- nation	Ref. No.	A d	N e w	Parts No.	Description	Desti- nation
D30			MA4047-M	ZENER DIODE		Q201			2SD1819A	TRANSISTOR	M2EE1
D40			1SS133	DIODE		Q223,224			DTC143TUA	DIGITAL TRANSISTOR	
D101			1SS133	DIODE		Q223,224			UN5216	DIGITAL TRANSISTOR	
D153,154			HZS6C1	ZENER DIODE		Q251			DTC114YUA	DIGITAL TRANSISTOR	
D153,154			MA4062-L	ZENER DIODE		Q251			UN5214	DIGITAL TRANSISTOR	
D157			HZS6C1	ZENER DIODE		Q301			DTC124EUA	DIGITAL TRANSISTOR	E2E3E4
D157			MA4062-L	ZENER DIODE		Q301			DTC124EUA	DIGITAL TRANSISTOR	E5E6
D159-161			HZS6C1	ZENER DIODE		Q301			DTC124EUA	DIGITAL TRANSISTOR	M2EE1
D159-161			MA4062-L	ZENER DIODE		Q301			UN5212	DIGITAL TRANSISTOR	E2E3E4
D251-253			1SS133	DIODE		Q301			UN5212	DIGITAL TRANSISTOR	E5E6
D401,402			MA4068(N)-M	ZENER DIODE		Q301			UN5212	DIGITAL TRANSISTOR	M2EE1
D403,404			HZS6C1	ZENER DIODE		Q501			2SD1760	TRANSISTOR	
D403,404			MA4062-L	ZENER DIODE		Q551			2SB1443	TRANSISTOR	
D407			HZS6C1	ZENER DIODE		Q552			DTC114EUA	DIGITAL TRANSISTOR	
D407			MA4062-L	ZENER DIODE		Q552			UN5211	DIGITAL TRANSISTOR	
D409-411			HZS6C1	ZENER DIODE		TH1			PTH9C42BE471Q	POSITIVE RESISTOR	
D409-411			MA4062-L	ZENER DIODE		A1	2D		X86-3512-70	FRONT-END UNIT	E2E3E4
D551			AM01Z	DIODE		A1	2D		X86-3512-70	FRONT-END UNIT	E5M3E6
D551			ERA15-01	DIODE		A1	2D		X86-3512-70	FRONT-END UNIT	M2EE1
IC1		*	UPD780058GC418	MI-COM IC	E2E3E4	A1	2D		X86-3512-72	FRONT-END UNIT	E7
IC1		*	UPD780058GC418	MI-COM IC	E5E6	SWITCH UNIT (X16-1532-7x)					
IC1		*	UPD780058GC418	MI-COM IC	M2EE1	301	2C		B11-1362-04	OPTICAL DIFFUSER	
IC1		*	UPD780058GC426	MI-COM IC	M3E7	302	2C		B11-1363-04	REFLECTION SHEET	
IC2			TDA7407D	ANALOGUE IC		303	2C		B19-2131-03	LIGHTING BOARD	
IC4			TDA7386	ANALOGUE IC		D1-12			B30-1605-05	LED (2COLOR PG/RED)	E2E3E4
IC6			TDA7479D	ANALOGUE IC	E2E3E4	D1-12			B30-1605-05	LED (2COLOR PG/RED)	E5
IC6			TDA7479D	ANALOGUE IC	E5	D1-12			B30-1605-05	LED (2COLOR PG/RED)	M2EE1
IC6			TDA7479D	ANALOGUE IC	M2EE1	D1-14			B30-1605-05	LED (2COLOR PG/RED)	M3E6E7
IC7			TDA3682ST	ANALOGUE IC		D13,14			B30-1564-05	LED (1608,BLUE)	E2E3E4
IC8			HD74HC27FP	MOS-IC		D13,14			B30-1564-05	LED (1608,BLUE)	E5
IC9			HA12221F	ANALOGUE IC		D13,14			B30-1564-05	LED (1608,BLUE)	M2EE1
IC10			LB1930M	ANALOGUE IC		D15			B30-1633-05	LED (WHITE)	
IC11		*	S-80835CNNB	MOS-IC		D20-22			B30-1605-05	LED (2COLOR PG/RED)	
IC12			BR24C01AF	MEMORY IC		ED1		*	B38-1085-05	LIQUID CRYSTAL	
IC12			BR24C01AF-W	MEMORY IC		C1			CK73GB1H102K	CHIP C 1000PF	K
IC12			M24C01-WMN6T	MEMORY IC		C2,3			CK73GB1E473K	CHIP C 0.047UF	K
Q1			DTC124EUA	DIGITAL TRANSISTOR		C2,3			CK73GB1H473K	CHIP C 0.047UF	K
Q1			UN5212	DIGITAL TRANSISTOR		C4			CK73GB1H103K	CHIP C 0.010UF	K
Q10,11			2SC4081	TRANSISTOR		C5			CK73FB1A225K	CHIP C 2.2UF	K
Q10,11			2SD1819A	TRANSISTOR		C6-8			CK73GB1H103K	CHIP C 0.010UF	K
Q20			2SC4081	TRANSISTOR		C6-8			CK73GB1H103K	CHIP C 0.010UF	K
Q20			2SD1819A	TRANSISTOR		C6-8			CK73GB1H103K	CHIP C 0.010UF	K
Q40			DTA124EUA	DIGITAL TRANSISTOR		C8			CK73GB1H103K	CHIP C 0.010UF	K
Q40			UN5112	DIGITAL TRANSISTOR		304	2C		E29-1828-04	CONDUCTIVE RUBBER	
Q50			2SA1036K	TRANSISTOR		J1			E59-0828-05	RECTANGULAR PLUG	
Q101			2SC4081	TRANSISTOR		R1			RK73GB2A563J	CHIP R 56K J 1/10W	
Q101			2SD1819A	TRANSISTOR		R2			RK73GB2A473J	CHIP R 47K J 1/10W	
Q151			DTA114YUA	DIGITAL TRANSISTOR		R3			RK73GB2A472J	CHIP R 4.7K J 1/10W	
Q151			UN5114	DIGITAL TRANSISTOR		R4			RK73GB2A4R7J	CHIP R 4.7 J 1/10W	
Q201			2SC4081	TRANSISTOR	E2E3E4	R5			RK73GB2A102J	CHIP R 1.0K J 1/10W	
Q201			2SC4081	TRANSISTOR	E5	R6-9			RK73GB2A471J	CHIP R 470 J 1/10W	
Q201			2SC4081	TRANSISTOR	M2EE1	R10			RK73GB2A102J	CHIP R 1.0K J 1/10W	
Q201			2SD1819A	TRANSISTOR	E2E3E4	R11,12			RK73GB2A222J	CHIP R 2.2K J 1/10W	
Q201			2SD1819A	TRANSISTOR	E5						

E : KRC-394 E4 : KRC-394Y M2 : KRC-466R
 E1 : KRC-37 E5 : KRC-37Y M3 : KRC-366L
 E2 : KRC-36 E6 : KRC-31Y
 E3 : KRC-391 E7 : KRC-4904Y

△ Indicates safety critical components.

PARTS LIST

* New parts

Parts without **Parts No.** are not supplied.

Les articles non mentionnes dans le **Parts No.** ne sont pas fournis.

Teile ohne **Parts No.** werden nicht geliefert.

SWITCH UNIT (X16-1532-7x)

Ref. No.	Add	New	Parts No.	Description	Destination	Ref. No.	Add	New	Parts No.	Description	Destination
R13			RK73FB2B331J	CHIP R 330 J 1/8W		39	1B		D13-1330-08	GEAR	
R14			RK73FB2B361J	CHIP R 360 J 1/8W	E2E3E4	40	2A		D13-1331-08	GEAR	
R14			RK73FB2B361J	CHIP R 360 J 1/8W	E5	41	2A		D13-1332-08	GEAR	
R14			RK73FB2B361J	CHIP R 360 J 1/8W	M2EE1	42	2B		J11-0619-08	CLAMPER	
R14			RK73FB2B511J	CHIP R 510 J 1/8W	M3E6E7	43	1B		D13-1333-08	GEAR	
R15,16			RK73FB2B331J	CHIP R 330 J 1/8W		44	1B		D13-1334-08	GEAR	
R17			RK73FB2B361J	CHIP R 360 J 1/8W	E2E3E4	45	2A		D13-1335-08	GEAR	
R17			RK73FB2B361J	CHIP R 360 J 1/8W	E5	46	2B		D10-4120-08	ARM	
R17			RK73FB2B361J	CHIP R 360 J 1/8W	M2EE1	47	2B		J19-4738-08	HOLDER	
R17,18			RK73FB2B511J	CHIP R 510 J 1/8W	M3E6E7	48	2B		J11-0620-08	CLAMPER	
R18			RK73FB2B511J	CHIP R 510 J 1/8W	E2E3E4	52	2A		D03-0312-08	REEL DISK	
R18			RK73FB2B511J	CHIP R 510 J 1/8W	E5	53	3A		D15-0913-08	PULLEY	
R18			RK73FB2B511J	CHIP R 510 J 1/8W	M2EE1	55	1A		D10-4121-08	SLIDER	
R19			RK73FB2B221J	CHIP R 220 J 1/8W		57	1B		D13-1337-08	GEAR	
R20			RK73GB2A470J	CHIP R 47 J 1/10W		59	2B		J31-1036-08	COLLAR	
R22			RK73FB2B221J	CHIP R 220 J 1/8W		62	3B		D14-0683-08	ROLLER	
R23			RK73FB2B511J	CHIP R 510 J 1/8W		63	1A		D14-0684-08	ROLLER	
D17-19			MA3062WA	ZENER DIODE		67	2A		G01-2832-08	TORSION COIL SPRING	
IC1			LC75883E	MOS-IC		68	2A		G01-2833-08	TORSION COIL SPRING	
IC2			RS-171	ANALOGUE IC		69	2B		G01-2834-08	TENSION COIL SPRING	
Q1			DTA114EUA	DIGITAL TRANSISTOR		70	1B		G01-2835-08	TORSION COIL SPRING	
Q1			UN5111	DIGITAL TRANSISTOR		71	1B		G01-2836-08	TORSION COIL SPRING	
Q2,3			2SC4081	TRANSISTOR		73	1A		G09-2020-08	SPRING	
CASSETTE MECHANISM ASSY (D40-1150-05)						74	2A		G01-2837-08	COMPRESSION COIL SPRING	
1	2A		A10-4329-08	CHASSIS ASSY		75	1B		G01-2838-08	TORSION COIL SPRING	
2	1A		J21-7779-08	MOUNTING HARDWARE		76	1A		G01-2839-08	TORSION COIL SPRING	
3	2B		A11-0931-08	SUB CHASSIS ASSY		77	2A		G01-2843-08	TORSION COIL SPRING	
4	1A		D10-4106-08	ARM		79	1A		G01-2840-08	TENSION COIL SPRING	
5	2A		D10-4107-08	ARM		80	3A		G01-2841-08	TENSION COIL SPRING	
6	2A		D10-4108-08	ARM		83	3A		D16-0609-08	BELT	
7	2B		D10-4109-08	ARM		94	3A		S64-0807-08	LEVER SWITCH	
8	2A		D10-4110-08	ARM ASSY		95	3A		S64-0808-08	LEVER SWITCH	
9	2A		D10-4111-08	ARM ASSY		100	2B		E30-4460-08	CONNECTOR ASSY (10P)	
10	3A		D10-4112-08	ARM		102	2B		T95-0213-08	PHOTO COUPLER	
13	2A		D10-4113-08	ARM		103	2B		S62-0858-08	SLIDE SWITCH	
14	1B		D13-1324-08	GEAR ASSY		105	2B		S74-0813-08	LEAF SWITCH	
15	3A		D01-0614-08	FLYWHEEL ASSY		107	3A		E30-4468-08	CONNECTOR ASSY (7P)	
16	2A		D13-1325-08	GEAR ASSY		A	1B		N09-4193-08	SCREW	
17	2A		D10-4114-08	ARM ASSY		B	1B		N09-4194-08	SCREW	
18	3A		D01-0615-08	FLYWHEEL ASSY		C	3A		N09-4195-08	SCREW	
19	3A		D13-1326-08	GEAR ASSY		D	1B		N09-4196-08	SCREW	
22	2B		D10-4115-08	SLIDER		E	2A		N09-4197-08	SCREW	
23	3B		D10-4116-18	SLIDER		F	1B		N09-4198-08	SCREW	
24	1B		J21-7780-08	MOUNTING HARDWARE		G	1A		N09-4199-08	SCREW	
25	1B		D10-4117-18	ARM		H	2B		N09-4200-08	SCREW	
26	1B		D10-4118-08	SLIDER		L	3A		N19-2087-08	FLAT WASHER	
27	1A		A52-0716-08	HOLDER		M	1B		N19-2088-08	FLAT WASHER	
32	1B		J90-0767-08	GUID		N	1B		N19-2135-08	FLAT WASHER	
33	1B		J19-4737-08	BRACKET		P	3A		N19-2146-08	FLAT WASHER	
34	1B		D12-0622-08	CAM		Q	2A		N19-2091-08	FLAT WASHER	
35	2B		D13-1327-08	GEAR		R	1A		N19-2092-08	FLAT WASHER	
36	2B		D13-1328-08	GEAR		S	2B		N29-0510-08	RETAINING RING	
37	3A		D13-1329-08	GEAR		HD1	1B		T31-0220-08	PLAYBACK HEAD	
38	3A		D10-4119-08	ARM							

E : KRC-394 E4 : KRC-394Y M2 : KRC-466R
 E1 : KRC-37 E5 : KRC-37Y M3 : KRC-366L
 E2 : KRC-36 E6 : KRC-31Y
 E3 : KRC-391 E7 : KRC-4904Y

△ Indicates safety critical components.

KRC-31Y/36/366L/37/Y
/391/394/Y/466R/4904Y

PARTS LIST

* New parts

Parts without **Parts No.** are not supplied.

Les articles non mentionnes dans le **Parts No.** ne sont pas fournis.

Teile ohne **Parts No.** werden nicht geliefert.

CASSETTE MECHANISM ASSY (D40-1150-05)

Ref. No.	A d d	N e w	Parts No.	Description	Desti- nation
CM1	1A		T42-0759-18	MOTOR ASSY (MAIN)	
CM2	1B		T42-1005-08	MOTOR ASSY (SUB)	

Ref. No.	A d d	N e w	Parts No.	Description	Desti- nation
----------	-------------	-------------	-----------	-------------	------------------

E : KRC-394 **E4** : KRC-394Y **M2** : KRC-466R
E1 : KRC-37 **E5** : KRC-37Y **M3** : KRC-366L
22 E2 : KRC-36 **E6** : KRC-31Y
E3 : KRC-391 **E7** : KRC-4904Y

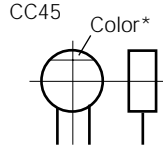
△ Indicates safety critical components.

PARTS LIST

CAPACITORS

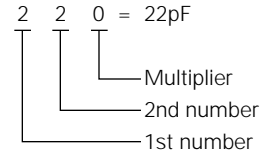
$\frac{CC}{1} \frac{45}{2} \frac{TH}{3} \frac{1H}{4} \frac{220}{5} \frac{J}{6}$

- 1 = Type ... ceramic, electrolytic, etc.
- 2 = Shape ... round, square, etc.
- 3 = Temp. coefficient
- 4 = Voltage rating
- 5 = Value
- 6 = Tolerance



Capacitor value

- 010 = 1pF
- 100 = 10pF
- 101 = 100pF
- 102 = 1000pF = 0.001μF
- 103 = 0.01μF



Temperature coefficient

1st Word	C	L	P	R	S	T	U
Color*	Black	Red	Orange	Yellow	Green	Blue	Violet
ppm/°C	0	-80	-150	-220	-330	-470	-750

2nd Word	G	H	J	K	L
ppm/°C	±30	±60	±120	±250	±500

Example : CC45TH = -470±60ppm/°C

Tolerance (More than 10pF)

Code	C	D	G	J	K	M	X	Z	P	No code
(%)	±0.25	±0.5	±2	±5	±10	±20	+40 -20	+80 -20	+100 -0	More than 10μF : -10~+50 Less than 4.7μF : -10~+75

(Less than 10pF)

Code	B	C	D	F	G
(pF)	±0.1	±0.25	±0.5	±1	±2

Voltage rating

2nd word \ 1st word	A	B	C	D	E	F	G	H	J	K	V
0	1.0	1.25	1.6	2.0	2.5	3.15	4.0	5.0	6.3	8.0	-
1	10	12.5	16	20	25	31.5	40	50	63	80	35
2	100	125	160	200	250	315	400	500	630	800	-
3	1000	1250	1600	2000	2500	2150	4000	5000	6300	8000	-

CHIP CAPACITORS

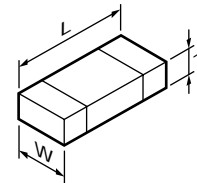
(EX) $\frac{CC}{1} \frac{73}{2} \frac{F}{3} \frac{SL}{4} \frac{1H}{5} \frac{000}{6} \frac{J}{7}$
(Chip) (CH, RH, UJ, SL)

(EX) $\frac{CK}{1} \frac{73}{2} \frac{F}{3} \frac{F}{4} \frac{1H}{5} \frac{000}{6} \frac{Z}{7}$
(Chip) (B, F)

Refer to the table above.

- 1 = Type
- 2 = Shape
- 3 = Dimension
- 4 = Temp. coefficient
- 5 = Voltage rating
- 6 = Value
- 7 = Tolerance

Dimension



Chip capacitor

Code	L	W	T
Empty	5.6±0.5	5.0±0.5	Less than 2.0
A	4.5±0.5	3.2±0.4	Less than 2.0
B	4.5±0.5	2.0±0.3	Less than 2.0
C	4.5±0.5	1.25±0.2	Less than 1.25
D	3.2±0.4	2.5±0.3	Less than 1.5
E	3.2±0.2	1.6±0.2	Less than 1.25
F	2.0±0.3	1.25±0.2	Less than 1.25
G	1.6±0.2	0.8±0.2	Less than 1.0
H	1.0±0.05	0.5±0.05	0.5±0.05

Chip resistor

Code	L	W	T
E	3.2±0.2	1.6±0.2	1.0
F	2.0±0.3	1.25±0.2	1.0
G	1.6±0.2	0.8±0.2	0.5±0.1
H	1.0±0.05	0.5±0.05	0.35±0.05

RESISTORS

Chip resistor (Carbon)

(EX) $\frac{RD}{1} \frac{73}{2} \frac{E}{3} \frac{B}{4} \frac{2B}{5} \frac{000}{6} \frac{J}{7}$
(Chip) (B, F)

Carbon resistor (Normal type)

(EX) $\frac{RD}{1} \frac{14}{2} \frac{B}{3} \frac{B}{4} \frac{2C}{5} \frac{000}{6} \frac{J}{7}$
(Chip) (B, F)

- 1 = Type ... ceramic, electrolytic, etc.
- 2 = Shape ... round, square, etc.
- 3 = Dimension
- 4 = Temp. coefficient
- 5 = Voltage rating
- 6 = Value
- 7 = Tolerance

Rating wattage

Code	Wattage	Code	Wattage	Code	Wattage
1J	1/16W	2C	1/6W	3A	1W
2A	1/10W	2E	1/4W	3D	2W
2B	1/8W	2H	1/2W		

SPECIFICATIONS

	KRC-31Y/36/37/37Y/391/394/394Y	KRC-366L/466R	KRC-4904Y
FM			
Frequency Range (Frequency step)	87.5MHz~108.0MHz (50kHz)	87.5MHz~108.0MHz (50kHz)	65MHz~74MHz (30kHz)
Channel Space Selection	-	FIX	-
Usable sensitivity (S/N=26dB)	-	8.1dBf (0.7 μ V/75 Ω)	-
65MHz~74MHz	-	-	1.4 μ V/75 Ω
87.5MHz~108.0MHz	0.75 μ V/75 Ω	-	0.75 μ V/75 Ω
Quieting sensitivity (S/N=46dB)	-	15.2dBf (1.6 μ V/75 Ω)	-
65MHz~74MHz	-	-	1.4 μ V/75 Ω
87.5MHz~108.0MHz	1.6 μ V/75 Ω	-	1.6 μ V/75 Ω
Frequency response (\pm 3.0dB)	30Hz~15kHz	30Hz~15kHz	30Hz~15kHz
S/N (dB)	65dB(MONO)	65dB(MONO)	65dB(MONO)
Selectivity (DIN)(dB)	³ 80dB (\pm 400kHz)	³ 80dB (\pm 400kHz)	³ 80dB (\pm 400kHz)
Stereo separation	-	35dB	-
65MHz~74MHz	-	-	not specified
87.5MHz~108.0MHz	35dB (1kHz)	-	35dB (1kHz)
MW			
Frequency range (Frequency step)	531kHz~1611kHz (9kHz)	531kHz~1611kHz (9kHz)	531kHz~1611kHz (9kHz)
Usable sensitivity (S/N=20dB)	25 μ V	28dB μ (25 μ V)	25 μ V
LW			
Frequency range (kHz)	153kHz~281kHz	153kHz~281kHz	153kHz~281kHz
Usable sensitivity (S/N=20dB)	45 μ V	45 μ V	45 μ V
CASSETTE			
Tape speed	4.76cm/sec.	4.76cm/sec.	4.76cm/sec.
Wow & Flutter (wrms)(%)	0.08% (WRMS)	0.08% (WRMS)	0.08% (WRMS)
Frequency response (Hz)(\pm 3.0dB)	30~14kHz (120 μ s)	30~14kHz (120 μ s)	30Hz~14kHz (120 μ s)
Separation (dB)	43dB (1kHz)	43dB (1kHz)	43dB (1kHz)
S/N (dB) NR OFF	54dB	54dB	54dB
Dolby BNR on	-	-	-
Dolby CNR on	-	-	-
Preout level(mV)/Load	1800mV/10k Ω	1800mV/10k Ω	1800mV/10k Ω
Preout impedance (Ω)	² 600 Ω	² 600 Ω	² 600 Ω
AMP			
Maximum Power	45Wx4	45Wx4	45Wx4
PWR DIN45324, +B=14.4V	28Wx4	-	28Wx4
Full Bandwidth Power	-	22Wx4 (at less than 1%THD)	-
STONE			
Bass	100Hz \pm 10dB	100Hz \pm 10dB	100Hz \pm 10dB
Middle	1kHz \pm 10dB	1kHz \pm 10dB	1kHz \pm 10dB
Treble	10kHz \pm 10dB	10kHz \pm 10dB	10kHz \pm 10dB
GENE			
Operating voltage (11~16v allowable)	14.4V	14.4V	14.4V
Current Consumption	10A	10A	10A
Installation size (WxHxD)	182x53x152 (mm)	182x53x152 (mm)	182x53x152 (mm)
Weight	1400g	1400g	1400g

KENWOOD follows a policy of continuous advancements in development. For this reason specifications may be changed without notice.

KENWOOD CORPORATION

2967-3, Ishikawa-machi, Hachioji-shi, Tokyo 192-8525, Japan

KENWOOD SERVICE CORPORATION
P.O. BOX 22745, 2201 East Dominguez Street, Long Beach, CA90801-5745, U.S.A.

KENWOOD ELECTRONICS CANADA INC.
6070 Kestrel Road, Mississauga, Ontario, Canada L5T 1S8

KENWOOD ELECTRONICS LATIN AMERICA S.A.
P.O. Box 55-2791 Paitilla, Plaza Credicorp Bank Panama,
Piso 9, Oficina 901, Calle 50, Panama, Rep. de Panama

KENWOOD ELECTRONICS BRASIL LTDA.
Alameda Ministro Rocha Azevedo No. 456,
Edifício Jaú, 10o Andar, Cerqueira César, Cep 0140-001,
São Paulo-SP-Brasil

KENWOOD ELECTRONICS UK LIMITED
Kenwood House, Dwight Road, Watford, Herts, WD18 9EB, United Kingdom

KENWOOD ELECTRONICS DEUTSCHLAND GMBH
Rembrücker-Str. 15, 63150 Heusenstamm, Germany

KENWOOD ELECTRONICS FRANCE S.A.
13, Boulevard Ney, 75018 Paris, France

KENWOOD ELECTRONICS BELGIUM N.V.
Leuvensesteenweg 248 J, 1800 Vilvoorde, Belgium

Manufactured under license from Dolby Laboratories.

"Dolby" and the double-D symbol are trademarks of Dolby Laboratories.

KENWOOD ELECTRONICS ITALIA S.p.A.
Via G. Sirtori 7/9, 20129 Milano, Italy

KENWOOD IBÉRICA S.A.
Bohívia, 239-08020 Barcelona, Spain

KENWOOD ELECTRONICS AUSTRALIA PTY. LTD. (A.C.N. 001 499 074)
16 Giffnock Avenue, Centrecourt Estate, North Ryde,
N.S.W. 2113, Australia

KENWOOD ELECTRONICS (HONG KONG) LTD.
Unit 3712-3724, Level 37, Tower 1, Metroplaza, 223 Hing Fong Road, Kwai Fong, N.T.,
Hong Kong

KENWOOD ELECTRONICS GULF FZE
P.O. Box 61318, Jebel Ali, Dubai, U.A.E.

KENWOOD ELECTRONICS (THAILAND) CO., LTD.
2019 New Pechburi Road, Bangkok, Huaykwang, Bangkok, 10320 Thailand

KENWOOD ELECTRONICS SINGAPORE PTE. LTD.
1 Genting Lane, #07-00, Kenwood Building, Singapore, 349544

KENWOOD ELECTRONICS (MALAYSIA) SDN BHD
#4.01 Level 4, Wisma Academy Lot 4A, Jalan 19/1, 46300 Petaling Jaya, Selangor Darul Ehsan,
Malaysia