

KRC-17G/YA/YG

KRC-194A/G/YA/YG

KRC-266LA/LG/RG

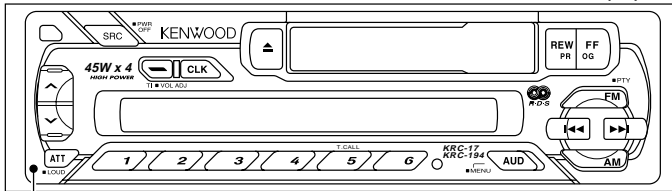
KRC-27YA/YG

KRC-2904YA/YG

KRC-294A/G/YA/YG

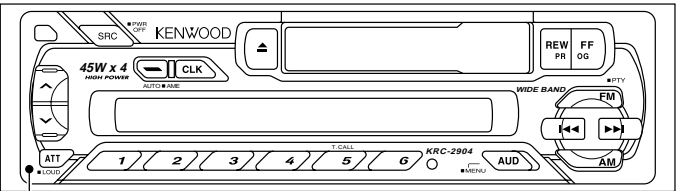
SERVICE MANUAL

KRC-17G/YA/YG, KRC-194A/G/YA/YG (E)



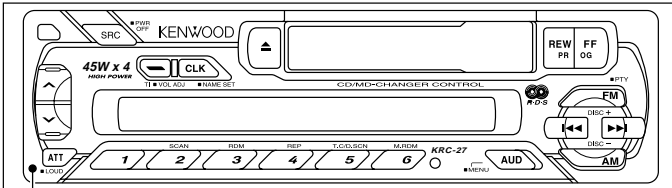
Panel assy (A64-2924-02):KRC-194A/G/YA/YG
(A64-2925-02):KRC-17G/YA/YG

KRC-2904YA/YG (E)



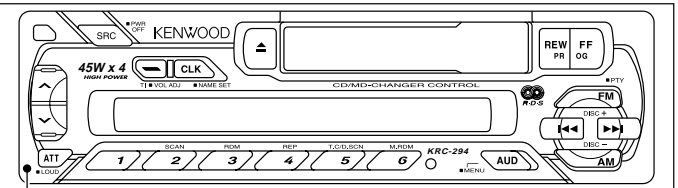
Panel assy (A64-2927-02)

KRC-27YA/YG (E)



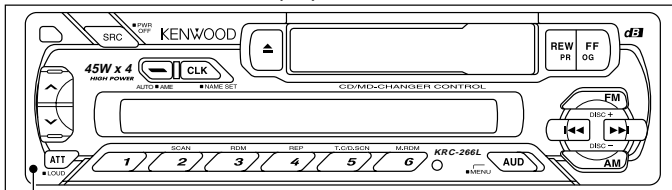
Panel assy (A64-2933-02)

KRC-294A/G/YA/YG (E)



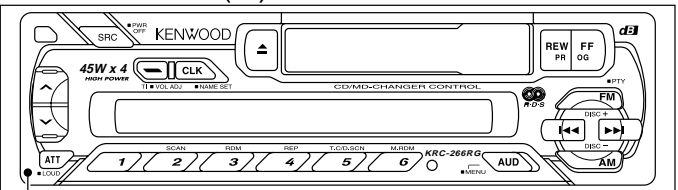
Panel assy (A64-2923-02)

KRC-266LA/LG (M)



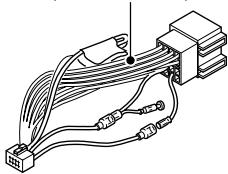
Panel assy (A64-2917-02)

KRC-266RG (M)

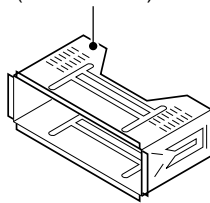


Panel assy (A64-2916-02)

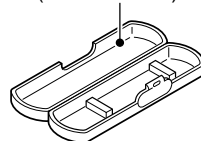
DC cord
(E30-4790-05) or
(E30-6134-05)



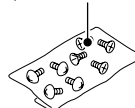
Mounting hardware assy
(J21-9701-03)



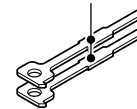
Plastic cabinet assy
(A02-1486-13)



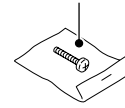
Screw set
(N99-1719-05)※



Lever
(D10-3031-04) x2



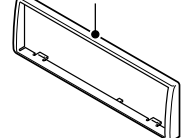
Screw set
(N99-1610-15)※



Antenna adaptor
(T90-0523-05) or
(T90-0534-05)



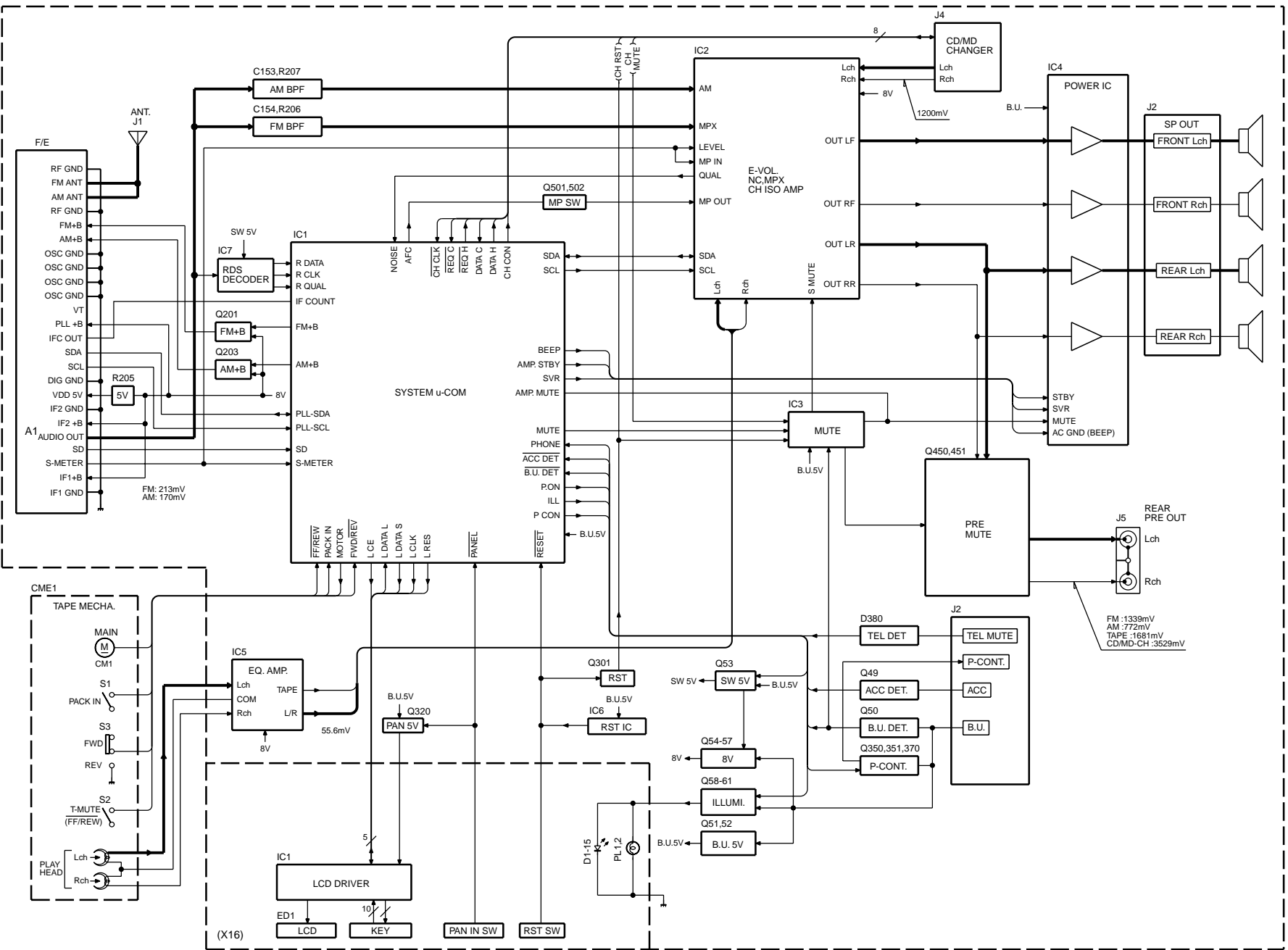
Escutcheon
(B07-2188-02)



※ Depends on model. Refer to the parts list



BLOCK DIAGRAM



COMPONENTS DESCRIPTION

● SYNTHESIZER UNIT (X14-687x-xx)

Ref.No.	Application/Function	Operation/Condition/Compatibility
IC1	SYSTEM μ -COM	Controls the unit.
IC2	E-VOLUME	Controls the volume and selects source.
IC3	MUTE LOGIC	Controls the mute output.
IC4	POWER AMPLIFIER	For the speaker output.
IC5	EQUALIZER AMPLIFIER	For the cassette tape's signal.
IC6	RESET	Resets the power.
IC7	RDS DECODER	Decodes the radio data.
Q49	ACC DETECTION SW	Outputs "H" during the ACC off.
Q50	BACK-UP DETECTION SW	Outputs "H" when the back-up voltage is under 9.2V.
Q51,52	BACK-UP 5V DRIVER	Works when back-up current exists.
Q53	P.ON 5V SW	Works during the power on.
Q54,55	8V SW	Works during the power on.
Q56,57	8V DRIVER	Works during the power on.
Q58,59	ILLUMI +B SW	Works during the power on.
Q60,61	ILLUMI +B DRIVER	Works during the power on.
Q150	E-VOL MUTE SW	Works when the back-up current is detected or the changer mute works or system μ -com mute works.
Q151	SVR FORCED DISCHARGE SW	Works when the amplifier mute works.
Q153	PRE OUT MUTE SW	Works when the back-up current is detected or the changer mute works or system μ -com mute works.
Q201	FM +B SW	Works during FM mode.
Q203	AM +B SW	Works during AM mode.
Q260	MOTOR +B SW	Works during the tape mode.
Q261	MOTOR +B DRIVER	Works when Q206 works.
Q301	CD-CH RESET SW	Works when the power is reset and the reset SW works.
Q320	PANEL 5V SW	Works when the back-up current exists and the panel is attached on the unit.
Q350	P.CON DRIVER SW	Does not work during the power off and the ALL OFF.
Q351	P.CON PROTECTION SW	Works when the P.CON is short-circuited on the GND.
Q352	P.CON PROTECTION INHIBIT SW	Inhibits the protection SW in a moment during the P.CON on.
Q353	P.CON DRIVER SW	Does not work during the power off and the ALL OFF.
Q450,451	PRE OUT MUTE SW	Works when the back-up current is detected or the changer mute works or system μ -com mute works.
Q500	AUDIO OUTPUT BUFFER	For RDS decoder.
Q501,502	AFC TIME CONSTANT SW	Works during receiving FM signal.
Q503	NOISE BUFFER	For noise level detection.

MICROCOMPUTER'S TERMINAL DESCRIPTION

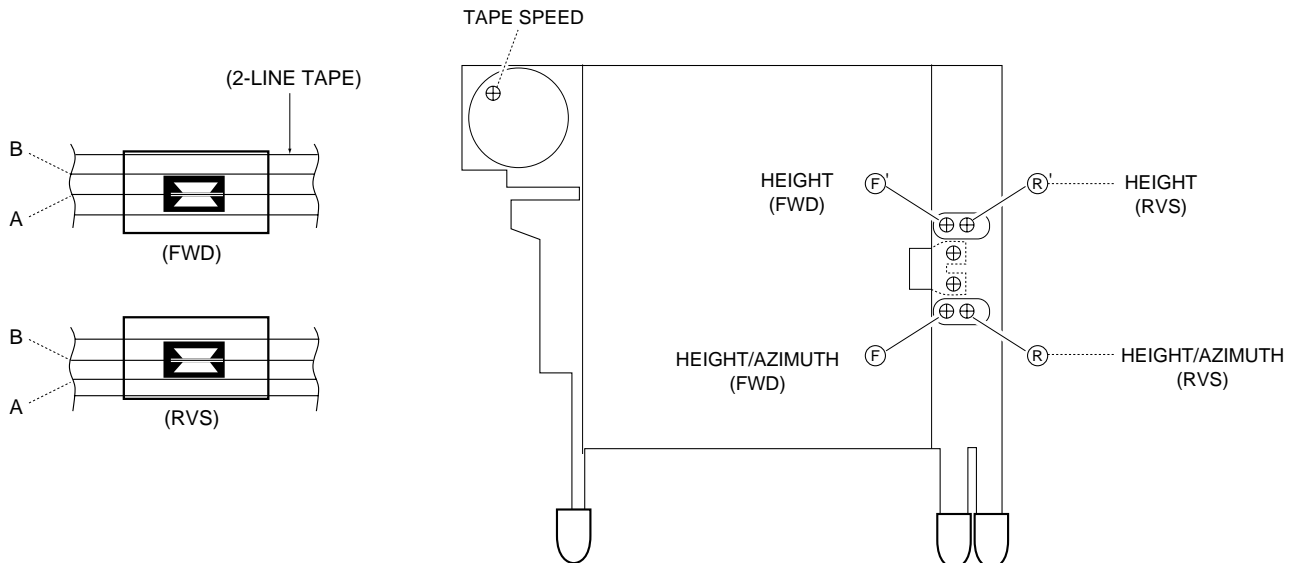
● SYSTEM MICROCOMPUTER UPD780058GC (IC1 : X14)

Pin No.	Pin Name	I/O	Function	Operating Condition	Pin No.	Pin Name	I/O	Function	Operating Condition
1	PANEL	I	Panel detection.	"L" : Panel exists.	46	REQ H	O	Changer request.	-
2	L CE	O	LCD driver chip enable.	-	47	-	-	-	-
3	L RES	O	LCD driver reset.	-	48	SVR	O	SVR control.	-
4	AVSS	-	GND.	-	49	AMP STBY	O	Power amplifier stand-by.	-
5	R DATA	I	RDS data.	-	50	BEEP	O	Buzzer signal output.	-
6	R QUAL	I	RDS receiving.	-	51,52	-	-	-	-
7	AVREF 1	-	Reference voltage.	-	53	P.CONT	O	Power control SW.	-
8	IC2 SEL 1	I	Selector.	"L" : Normally.	54	ACC DET	I	ACC detection.	-
9	IC2 SEL 0	I	Selector.	"L" : Normally.	55	B.U. DET	I	Back-up detection.	-
10	-	-	-	-	56	P.ON	O	Power SW.	-
11	L DATA L	I	LCD driver communication data.	-	57	ILLUMI	O	Illumination SW.	-
12	L DATA S	O	LCD driver communication data.	-	58	FWD/REV	I	Cassette mechanism FWD/REV detection.	-
13	L CLK	O	LCD driver communication clock.	-	59	-	-	-	-
14,15	-	-	-	-	60	RESET	I	System reset signal input.	-
16	DATA C	I	Changer communication data.	-	61	SEL 1	I	Destination SW.	-
17	DATA H	O	Changer communication data.	-	62	R CLK	I	RDS clock.	-
18	CH CLK	I	Changer communication clock.	-	63	REQ C	I	Changer request.	-
19-26	-	-	-	-	64	PACK IN	I	Cassette tape pack-in detection.	-
27	MOTOR	O	Cassette tape motor SW.	-	65	KEY-REQ	I	Key signal input detection.	-
28	FF/REW	I	Cassette tape FF/REW detection.	"L" : FF or REW works.	66	SEL 0	I	Destination SW.	-
29-31	-	-	-	-	67	VSS 0	-	GND.	-
32	SD	I	Signal detection.	"H" : Signal exists. "L" : Signal does not exist.	68	VDD 1	-	5V power supply.	-
33	VSS 1	-	GND.	-	69	X2	-	Main system clock.	-
34	-	-	-	-	70	X1	I	Main system clock.	-
35	PLL CLK	O	Front-end communication clock.	-	71	IC	-	GND.	-
36	PLL DATA	I/O	Front-end communication data.	-	72	-	-	-	-
37	AM +B	O	AM power supply SW.	-	73	XT1	-	5V power supply.	-
38	FM +B	O	FM power supply SW.	-	74	VDD 0	-	5V power supply.	-
39	IC2 DATA	I/O	E-volume communication data.	-	75	AVREF 0	I	A/D converter reference voltage.	-
40	IC2 CLK	O	E-volume communication clock.	-	76	S METER	I	S-meter detection.	"H" : S-meter exists. "L" : S-meter does not exist.
41	AFC	O	FM noise detection / Time constant SW.	-	77	PHONE	I	-	Navigation mute : 2.5V or more. Telephone mute : 1V or less.
42	MUTE	O	Mute control.	-	78	NOISE	I	FM noise detection.	-
43	AMP MUTE	O	Power amplifier mute.	-	79	AV CONT	O	A/D converter reference voltage.	-
44	-	-	-	-	80	-	-	-	-
45	CH CNT	O	Changer control.	-					

ADJUSTMENT

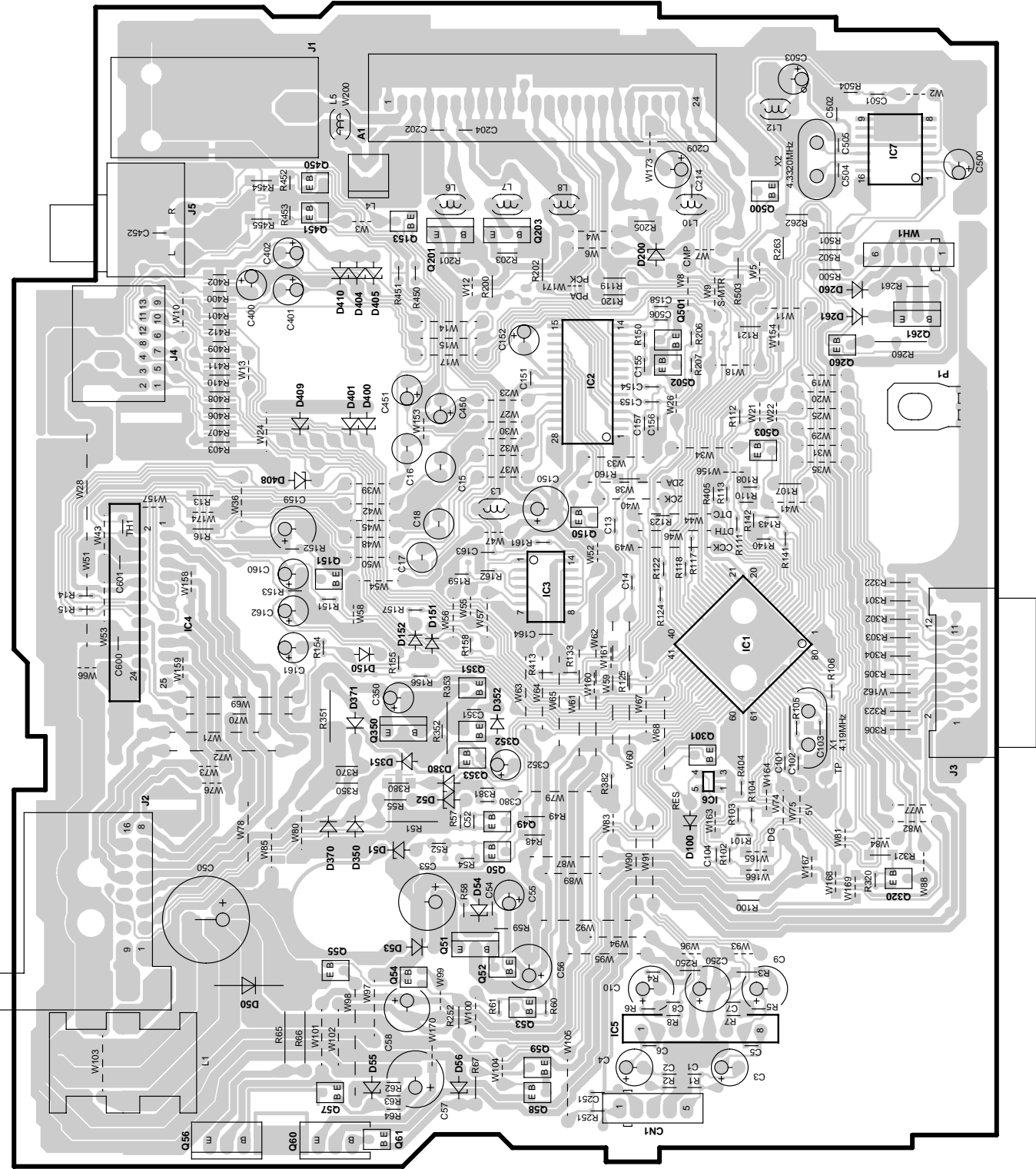
No	ITEM	INPUT SETTINGS	RECEIVER SETTINGS	ALIGNMENT POINTS	ALIGN FOR
FM SECTION					
1	SD	98.1MHz 0 dev 35dBμ(ANT input)	TEST MODE: ON FM 98.1MHz	Preset "1" key, and preset "6" key	While holding preset "1" key, press and hold preset "6" key for a few seconds. "ADJ OK" is good. "ADJ NG" is not good.
AM SECTION					
(1)	SD	990 kHz 0% mod 35dBμ(ANT input)	TEST MODE: ON AM 990 kHz	Preset "1" key, and preset "6" key	While holding preset "1" key, press and hold preset "6" key for a few seconds. "ADJ OK" is good. "ADJ NG" is not good.
CASSETTE DECK SECTION					
[1]	HEAD HEIGHT	SCC-1659	TAPE PLAY	Head Height Screw	1) During FWD transport adjust F and F' so that line A of 2-LINE TAPE passes through the center of the head shield plate (core center area) 2) During RVS transport adjust R and R' so that line B of 2-LINE TAPE passes through the center of the head shield plate (core center area) 3) After the alignment above, reverse the transport direction and check the FWD alignment again. If it is deviated, perform alignment again. (Tape used : SCC-1659,manufactured by A-BEX)
[2]	HEAD AZIMUTH	TCC-153 10kHz	Connect an AC voltmeter and oscilloscope to SP outputs. TAPE PLAY	Head Azimuth Screw	Adjust the azimuth for each L ch/R ch or FWD/RVS becomes maximum.

TEST MODE : ON While holding the "FM" key and preset "6" key, reset the unit.
 TEST MODE : OFF Reset the unit.



PC BOARD (FOIL SIDE VIEW)

SYNTHESIZER UNIT X14-687x-xx (J74-1319-02)



X14-687x-xx

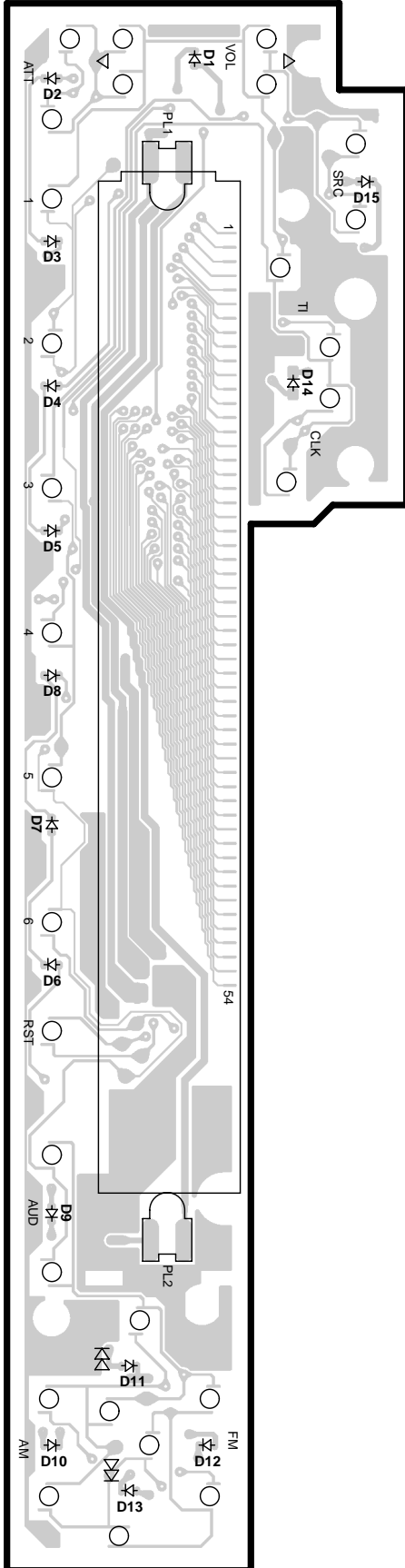
Ref. No	address	Ref. No	address	Ref. No	address	Ref. No	address	Ref. No	address	Ref. No	address
IC1	4D	Q49	5C	Q56	6B	Q151	4B	Q320	5E	Q500	2D
IC2	3C	Q50	5C	Q57	6B	Q153	2C	Q350	4B	Q501	3D
IC3	4C	Q51	5C	Q58	6C	Q201	2C	Q351	4C	Q502	3D
IC4	4B	Q52	5C	Q59	6C	Q203	2C	Q352	4C	Q503	3D
IC5	6D	Q53	6C	Q60	6B	Q260	3E	Q353	5C		
IC6	5D	Q54	5C	Q61	6C	Q261	3E	Q450	2B		
IC7	2E	Q55	5B	Q150	4C	Q301	4D	Q451	2B		

Refer to the schematic diagram for the values of resistors and capacitors.

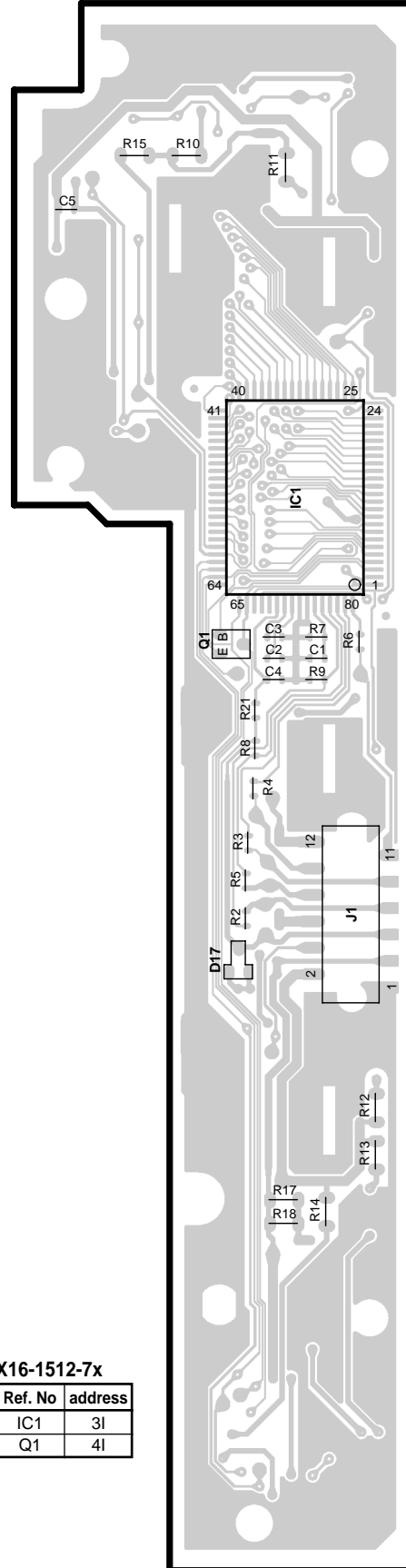
PC BOARD (COMPONENT SIDE VIEW)

(FOIL SIDE VIEW)

SWITCH UNIT
X16-1512-7x (J74-1300-02)



SWITCH UNIT
X16-1512-7x (J74-1300-02)

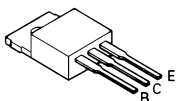


X16-1512-7x

Ref. No	address
IC1	3I
Q1	4I

1
2
3
4
5
6
7

2SB1565



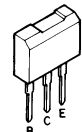
DTA114E
DTA124EK
DTA144EK
DTC114TK
DTC114YK
DTC124EK
DTC143TK
DTC144EK
KRC103S
2SA1036K
2SC2412K



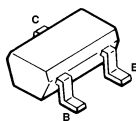
2SB1548



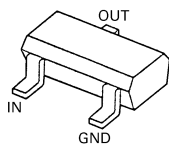
2SB1277
2SB1443



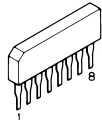
2SA1037K



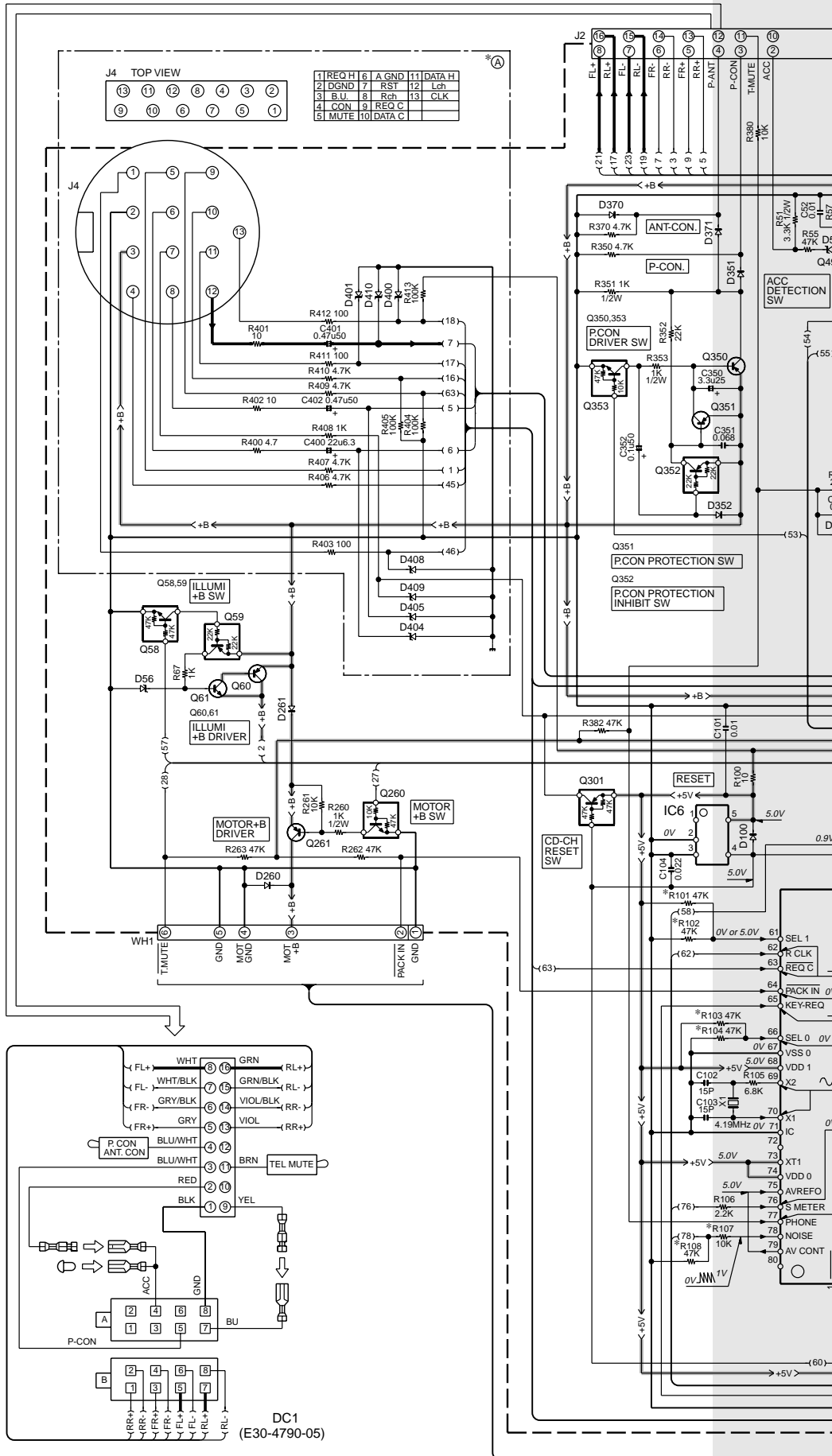
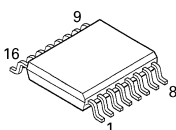
KRA102S
KRC104S



LA3161

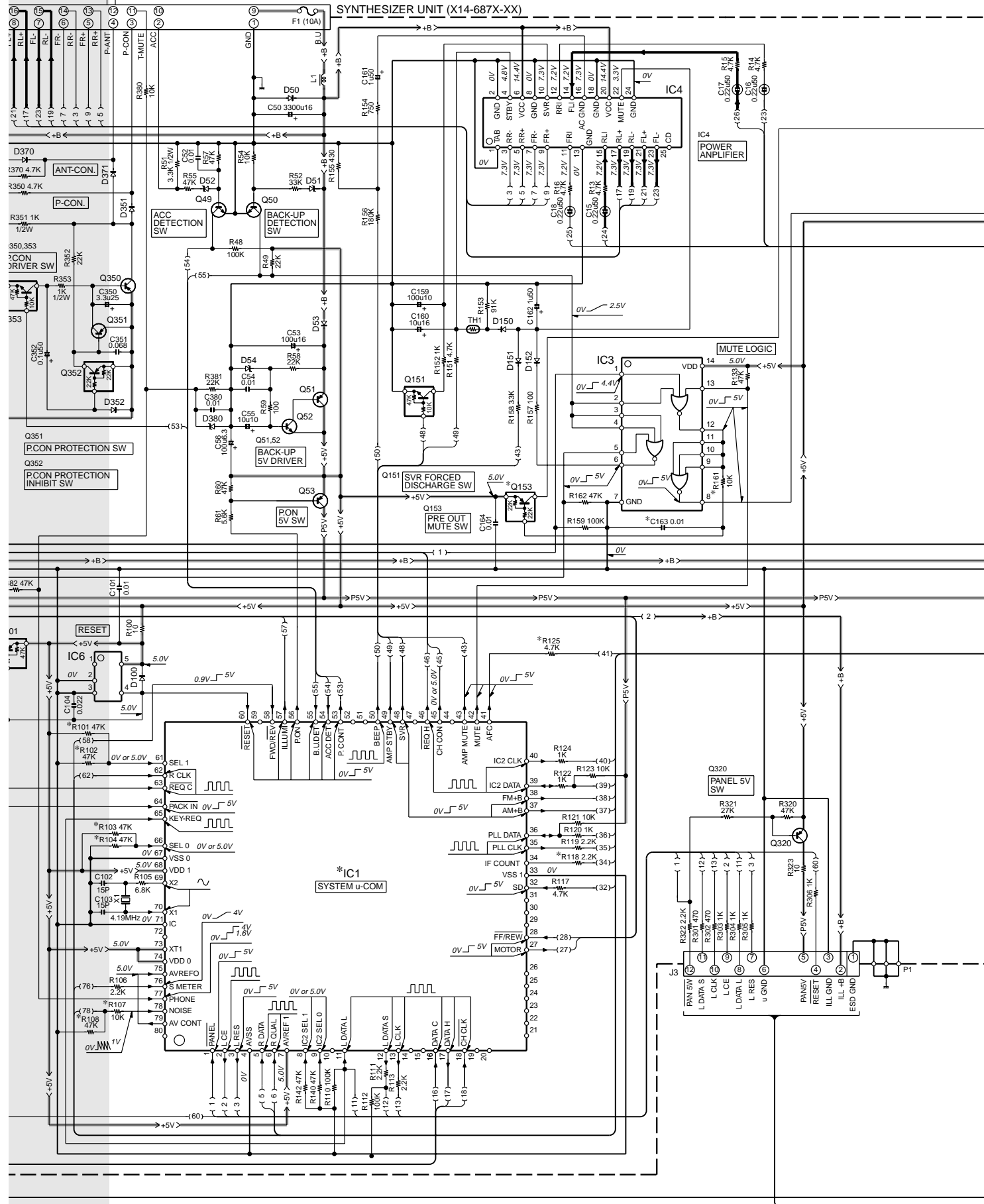


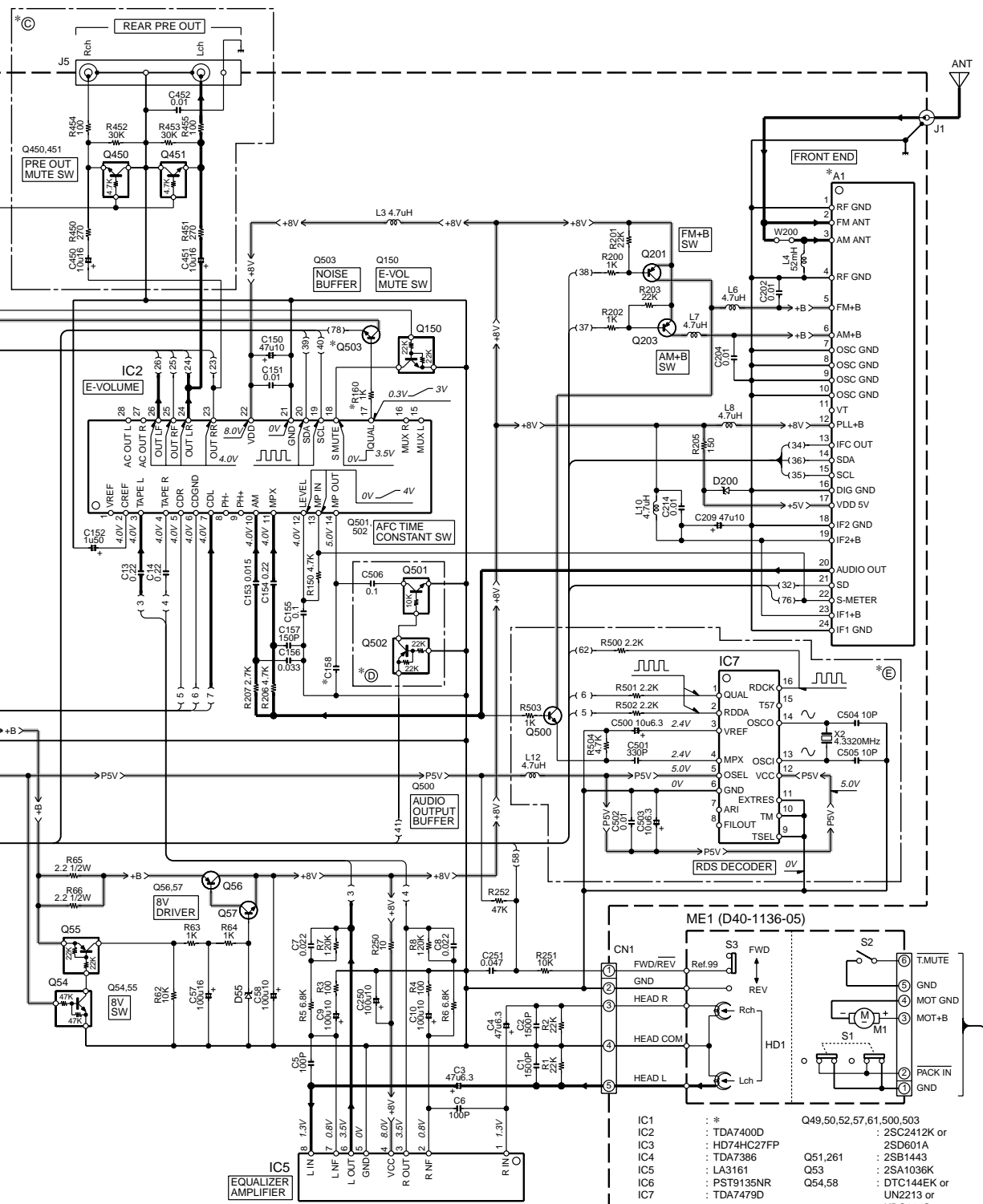
TDA7479D



CAUTION: For continued safety, replace safety critical components only with manufacturer's recommended parts (refer to parts list).
 ⚠ Indicates safety critical components. To reduce the risk of electric shock, leakage-current or resistance measurements shall be carried out (exposed parts are acceptably insulated from the supply circuit) before the appliance is returned to the customer.
 • DC voltages are as measured with a high impedance voltmeter. Values may vary slightly due to variations between individual instruments or/and units.

SYNTHESIZER UNIT (X14-687X-XX)





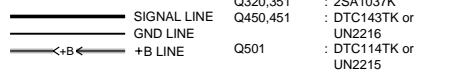
KRC-266RG/LA/LG
 KRC-294YA/YG/194YA/YG/27YA/YG/17YA/YG
 KRC-294A/G/194A/G/17G/2904YA/YG (1/2)

(X14-687X-XX)

MODEL NAME	UNIT NO.	(A)	(C)	(D)	(E)	A1	C158	C163	Q153	Q503	R101	R102	R103	R104	R107,108, 125,160	R118	R161	IC1
KRC-294YA/YG (E)						X86-3322-70	100P	YES	YES	YES	NO	YES	NO	YES	YES	NO	YES	UPD780058GC465
KRC-27YA/YG (E)	2-70	YES	YES	YES		X86-3322-70	100P	YES	YES	YES	NO	YES	NO	YES	YES	NO	YES	UPD780058GC465
KRC-294A/G (E)						X86-3322-70	100P	YES	YES	YES	NO	YES	NO	YES	YES	NO	YES	UPD780058GC172
KRC-266RG (M)	0-21	YES	YES	YES		X86-3322-70	100P	YES	YES	YES	NO	YES	NO	YES	YES	NO	YES	UPD780058GC172
KRC-194YA/YG (E)						X86-3322-70	100P	YES	YES	YES	NO	YES	YES	NO	YES	NO	YES	UPD780058GC465
KRC-17YA/YG (E)	2-71	NO	YES	YES		X86-3322-70	100P	YES	YES	YES	NO	YES	YES	NO	YES	NO	YES	UPD780058GC465
KRC-194A/G (E)						X86-3322-70	100P	YES	YES	YES	NO	YES	YES	NO	YES	NO	YES	UPD780058GC465
KRC-17G (E)						X86-3322-70	100P	YES	YES	YES	NO	YES	YES	NO	YES	NO	YES	UPD780058GC425
KRC-2904YA/YG (E)	2-73	NO	NO	NO		X86-3282-72	0.1	NO	NO	NO	NO	YES	NO	YES	NO	YES	NO	UPD780058GC425
KRC-266LA/LG (M)	0-22	YES	YES	NO		X86-3322-70	0.1	YES	YES	NO	YES	NO	YES	NO	NO	NO	YES	UPD780058GC425

- IC1 : * Q49,50,52,57,61,500,503
- IC2 : TDA7400D : 2SC2412K or
- IC3 : HD74HC27FP : 2SD601A
- IC4 : TDA7386 : Q51,261 : 2SB1443
- IC5 : LA3161 : Q53 : 2SA1036K
- IC6 : PST9135NR : Q54,58 : DTC144EK or
- IC7 : TDA7479D : UN2213 or KRC104S

- D50 : 1N5393G-M6 or Q55,59,153,352,502
- S2V20*A : DTA124EK or
- D51,405,410 : MA4068(N)-M or UN1212 or
- HZS7A3L : KRA103S
- D52,200 : MA4051(N)-M : Q56,60 : 2SA2057 or
- D53,260,261,351,370,371 : 2SB1548(P) or
- DSM1SD2 or 2SB1655(E,F) or
- AM01Z or 2SB1565(E,F)
- ERA15-01 : Q150 : DTC124EK or
- D54 : MA4056(N)-M : UN2212 or
- D55 : MA4091(N)-L : KRC103S
- D56 : MA4110-L : Q151,260,353 : DTC114YK or
- D100,150-152,352 : UN2214 or
- 1SS133 : KRC107S
- D380 : MA4047-M : Q201,203,350 : 2SB1277(Q,R)
- D400,401,404,408,409 : Q301 : DTA144EK or
- MA4062-L : UN2113
- Q320,351 : 2SA1037K
- Q450,451 : DTC143TK or
- Q501 : UN2216
- : DTC114TK or
- : UN2215



SWITCH UNIT (X16-1512-7x)

1

2

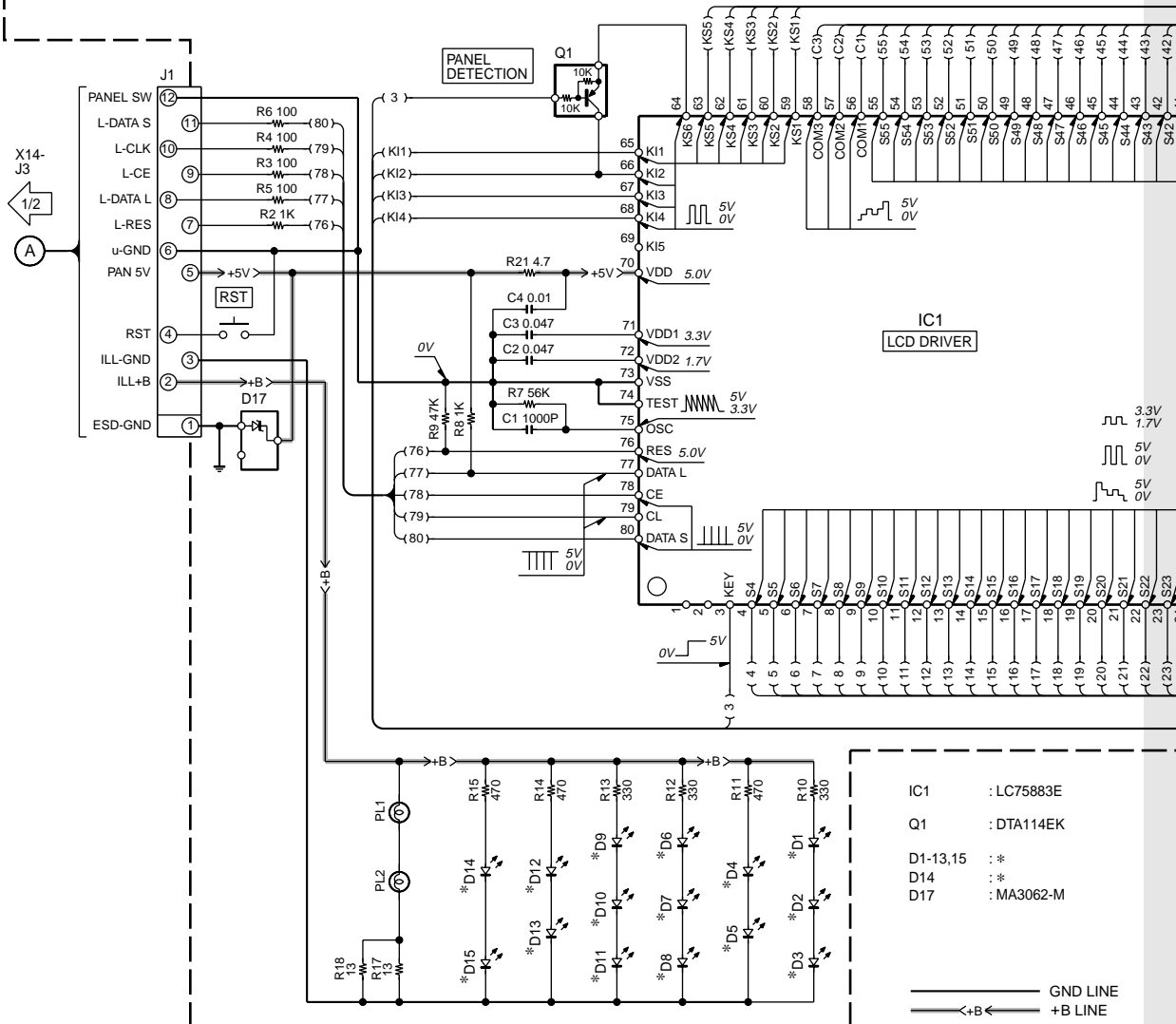
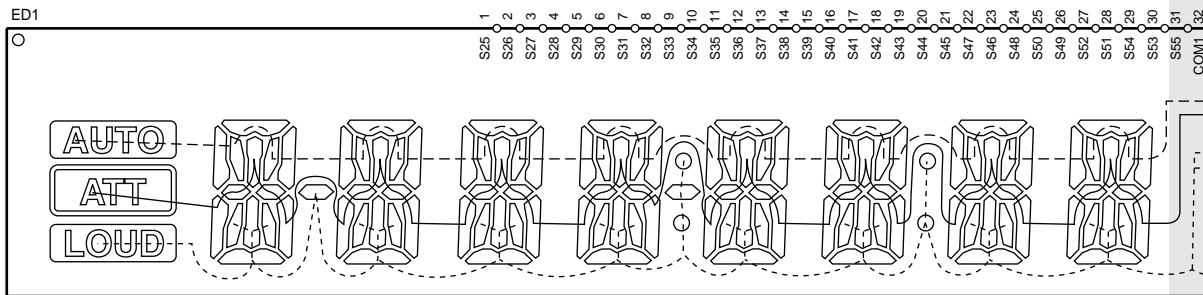
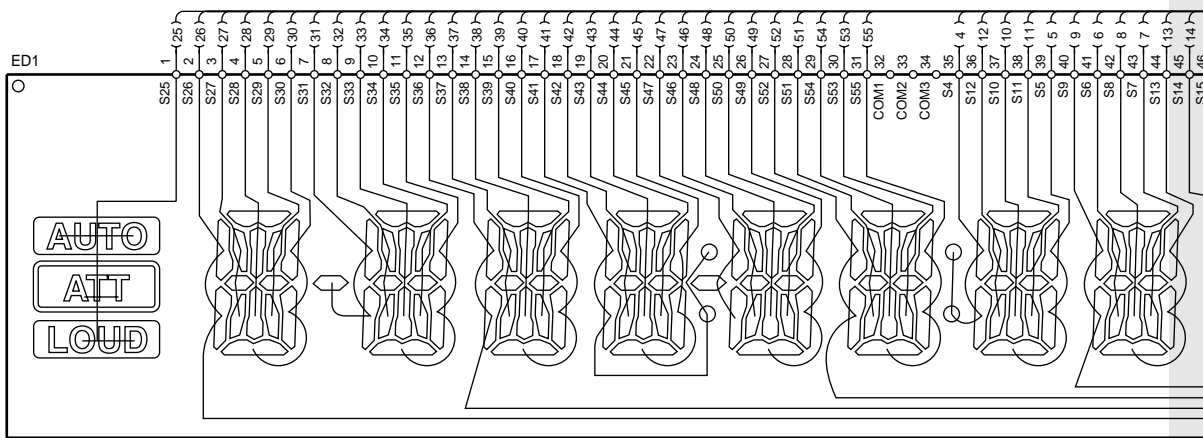
3

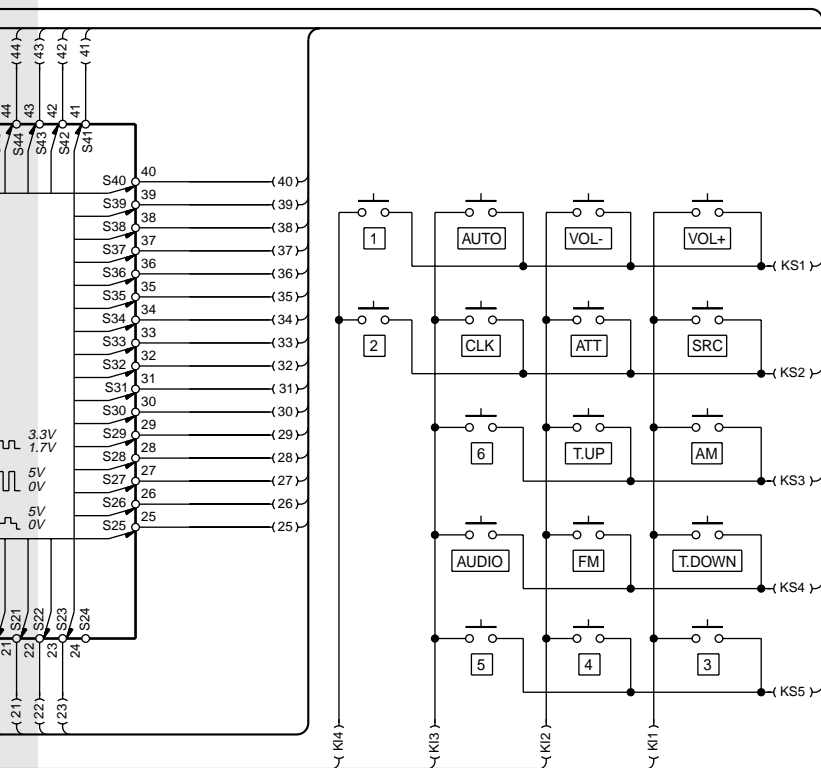
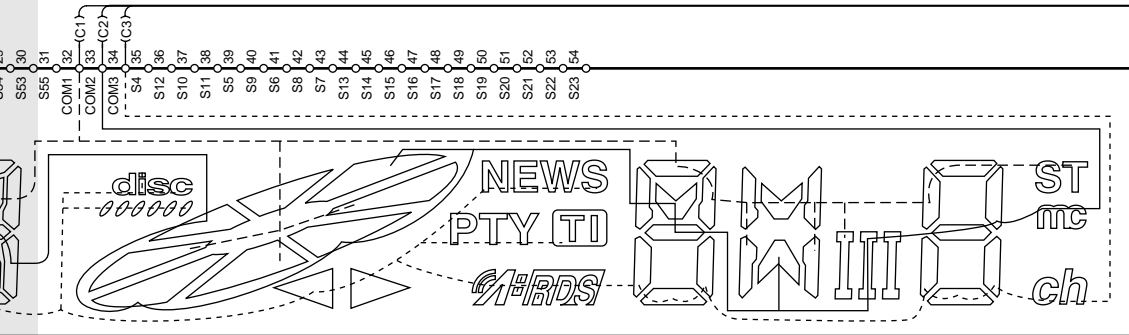
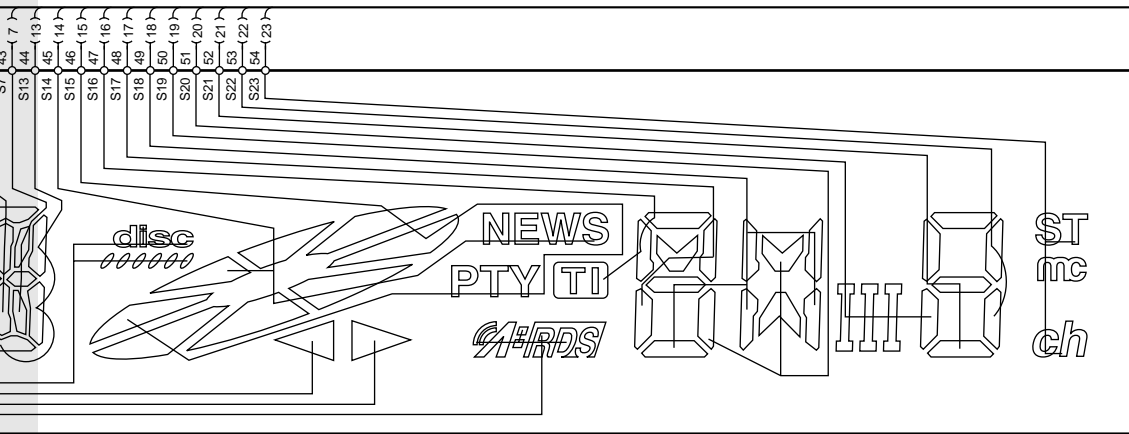
4

5

6

7





KRC-266RG/LA/LG (2/2)
 KRC-294YA/YG/194YA/YG/27YA/YG/17YA/YG (2/2)
 KRC-294A/G/194A/G/17G/2904YA/YG (2/2)

(X16-1512-7X)

MODEL NAME	UNIT NO.	D1-13,15	D14
KRC-266LA (M) KRC-294YA (E) KRC-194YA (E) KRC-27YA (E) KRC-17YA (E) KRC-294A (E) KRC-194A (E) KRC-2904YA (E)	2-70	B30-1566-05	B30-1511-05
KRC-266RG/LG (M) KRC-294YG (E) KRC-194YG (E) KRC-27YG (E) KRC-17YG (E) KRC-294G (E) KRC-194G (E) KRC-17G (E) KRC-2904YG (E)	2-71	B30-1565-05	B30-2025-05

CAUTION : For continued safety, replace safety critical components only with manufacturer's recommended parts (refer to parts list).

△ Indicates safety critical components. To reduce the risk of electric shock, leakage-current or resistance measurements shall be carried out (exposed parts are acceptably insulated from the supply circuit) before the appliance is returned to the customer.

• DC voltages are as measured with a high impedance voltmeter. Values may vary slightly due to variations between individual instruments or/and units.

1

2

3

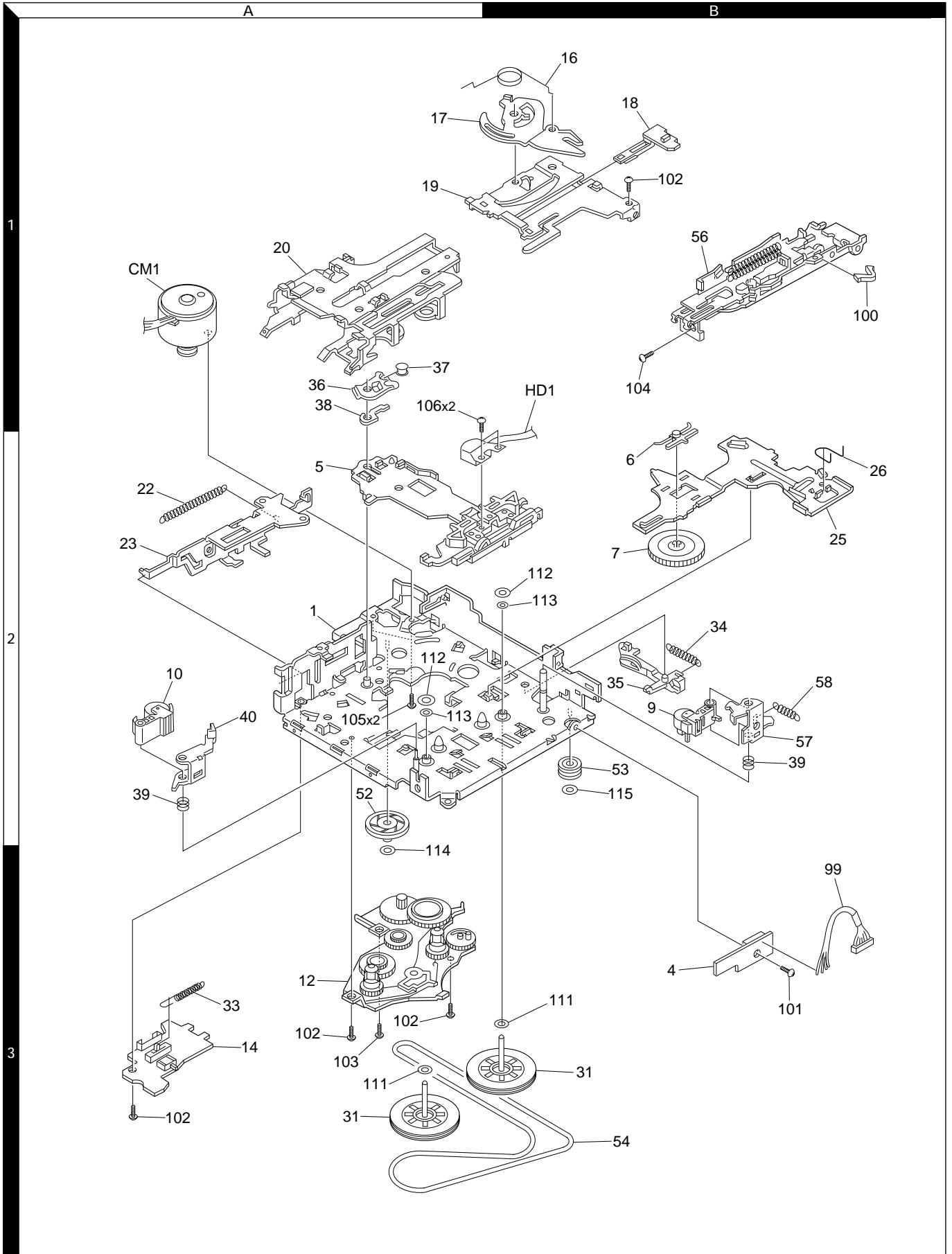
4

5

6

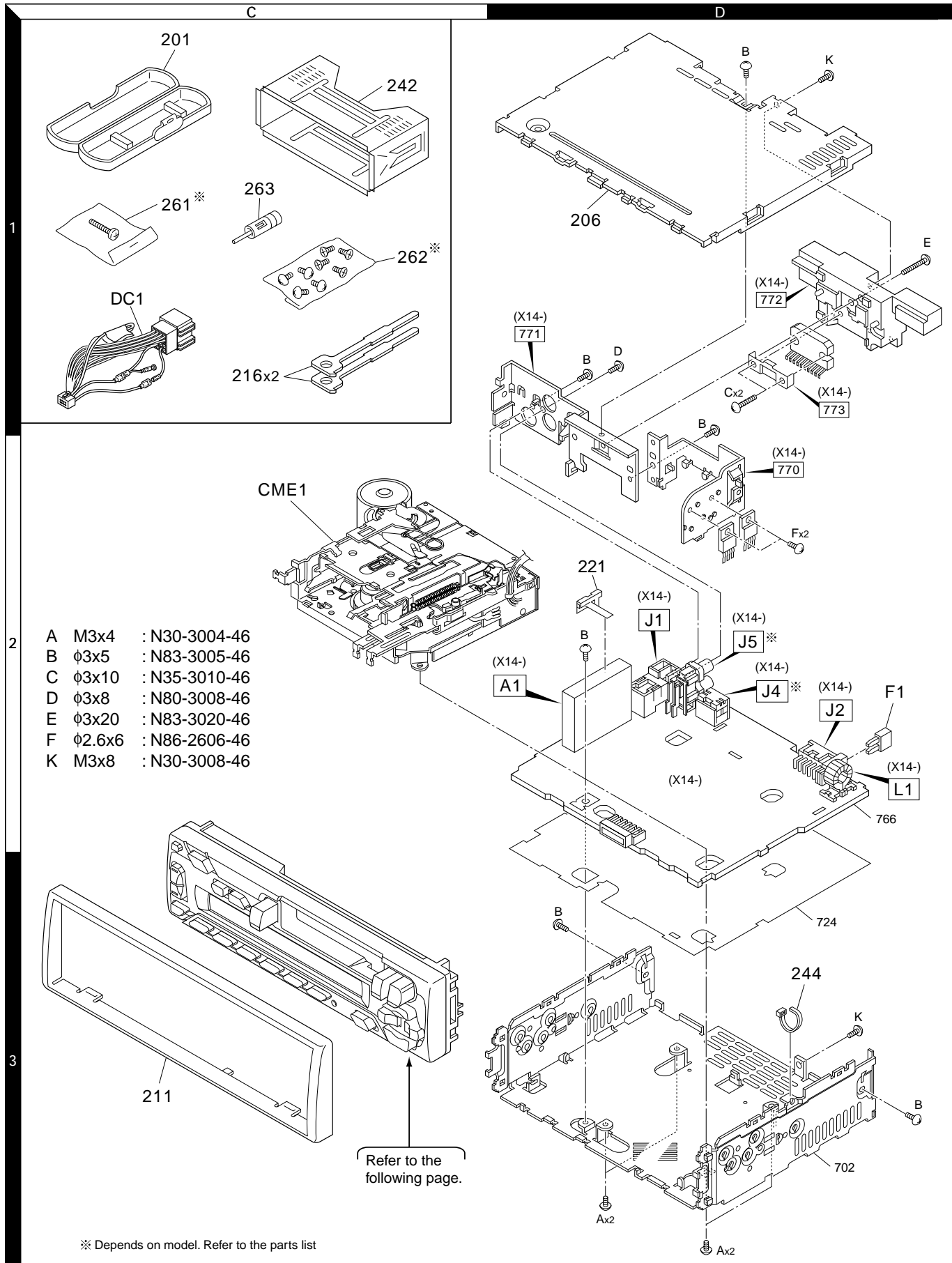
7

EXPLODED VIEW (MECHANISM)



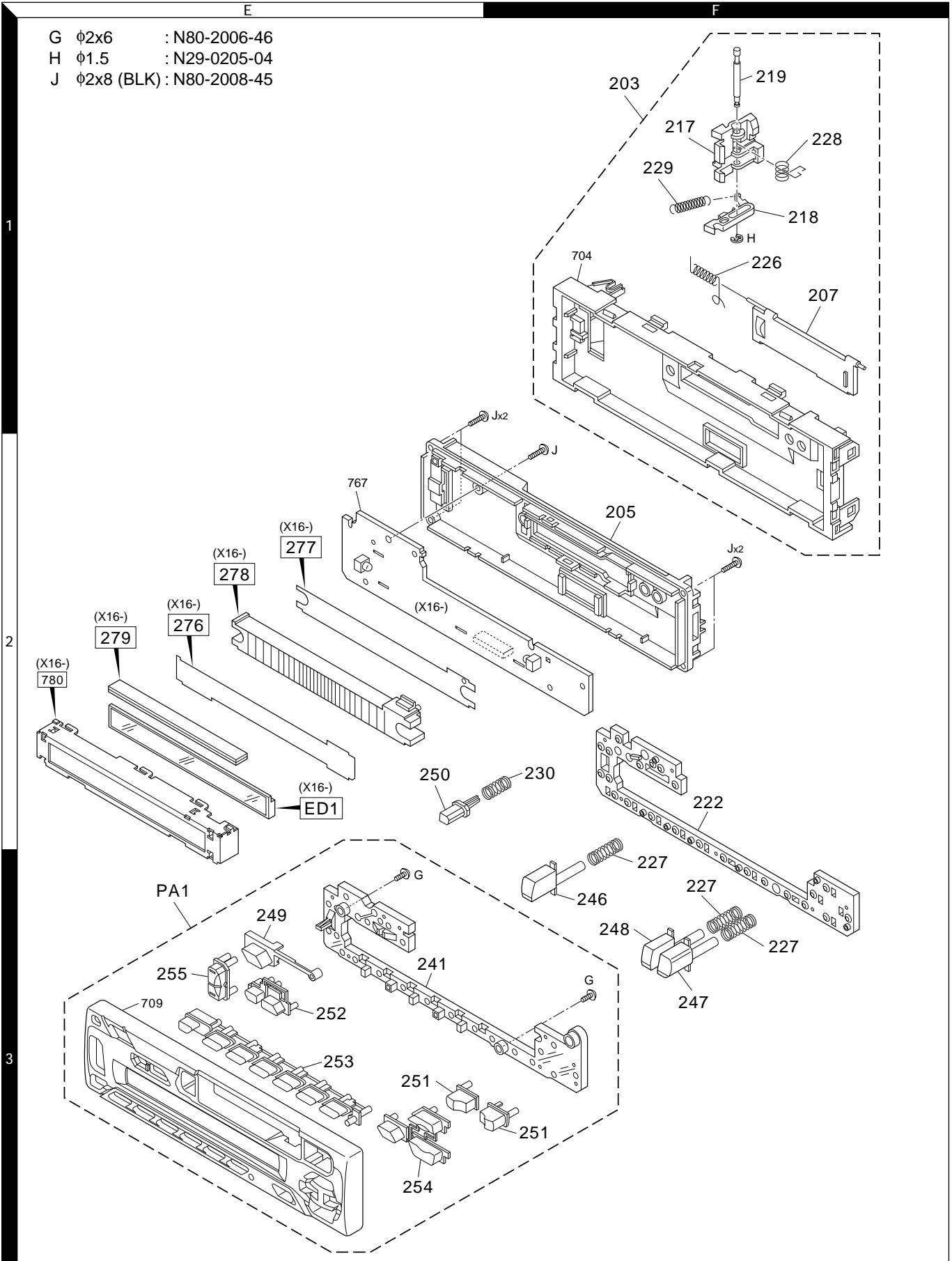
Parts with the exploded numbers larger than 700 are not supplied.

EXPLODED VIEW (UNIT)



EXPLODED VIEW (UNIT)

- G $\phi 2 \times 6$: N80-2006-46
 H $\phi 1.5$: N29-0205-04
 J $\phi 2 \times 8$ (BLK) : N80-2008-45



Parts with the exploded numbers larger than 700 are not supplied.

PARTS LIST

* New Parts

Parts without **Parts No.** are not supplied.

Les articles non mentionnes dans le **Parts No.** ne sont pas fournis.

Teile ohne **Parts No.** werden nicht geliefert.

Ref. No.	Ad	New	Parts No.	Description	Dest ination	Ref. No.	Ad	New	Parts No.	Description	Dest ination
KRC-17./194./266./27./2904./294.							DC1	1C	E30-6134-05	DC CORD	
201	1C		A02-1486-13	PLASTIC CABINET ASSY		F1	2D	F52-0006-05	FUSE(MINI BLADE TYPE)		
203	1F		A22-2386-13	SUB PANEL ASSY		F1	2D	F52-0011-05	FUSE(MINI BLADE TYPE)		
205	2F		A46-1748-01	REAR COVER		226	1F	G01-2525-04	TORSION COIL SPRING		
206	1D		A52-0756-12	TOP PLATE		227	3F	G01-2793-14	COMPRESSION SPRING		
207	1F		A53-1638-13	CASSETTE LID		228	1F	G01-2987-04	TORSION COIL SPRING		
PA1	3E	*	A64-2916-02	PANEL ASSY	M1	229	1F	G01-2988-04	EXTENSION SPRING		
PA1	3E		A64-2917-02	PANEL ASSY	M2M3	230	2F	G01-2990-04	COMPRESSION SPRING		
PA1	3E	*	A64-2923-02	PANEL ASSY	EE1Z71	-		H10-4685-12	POLYSTYRENE FOAMED FIXTURE		
PA1	3E	*	A64-2924-02	PANEL ASSY	E2E3Z2	-		H25-0329-04	PROTECTION BAG (280X450X0.03)	EE1E2	
PA1	3E	*	A64-2924-02	PANEL ASSY	Z3	-		H25-0329-04	PROTECTION BAG (280X450X0.03)	E3E4E5	
PA1	3E	*	A64-2925-02	PANEL ASSY	E6E7Z4	-		H25-0329-04	PROTECTION BAG (280X450X0.03)	E6E7	
PA1	3E	*	A64-2927-02	PANEL ASSY	Z7Z8	-		H25-0329-04	PROTECTION BAG (280X450X0.03)	M1M2M3	
PA1	3E	*	A64-2933-02	PANEL ASSY	E4E5	-		H25-0337-04	PROTECTION BAG (180X300X0.03)		
-			B46-0100-50	WARRANTY CARD	M1M2M3	-		H25-1111-04	PROTECTION BAG (280X450X0.03)	ZZ1Z2	
-			B46-0100-50	WARRANTY CARD	ZZ1Z2	-		H25-1111-04	PROTECTION BAG (280X450X0.03)	Z3Z4Z7	
-			B46-0100-50	WARRANTY CARD	Z3Z4Z7	-		H25-1111-04	PROTECTION BAG (280X450X0.03)	Z8	
-			B46-0100-50	WARRANTY CARD	Z8	-	*	H54-2670-03	ITEM CARTON CASE	M1	
-			B46-0182-14	ID CARD	ZZ2	-		H54-2671-03	ITEM CARTON CASE	M2	
-			B46-0606-04	ID CARD	EE1E2	-	*	H54-2672-03	ITEM CARTON CASE	M3	
-			B46-0606-04	ID CARD	E3E4E5	-	*	H54-2674-03	ITEM CARTON CASE	Z	
-			B46-0606-04	ID CARD	E6E7Z1	-	*	H54-2675-03	ITEM CARTON CASE	Z1	
-			B46-0606-04	ID CARD	M1M2M3	-	*	H54-2676-03	ITEM CARTON CASE	Z2	
-			B46-0606-04	ID CARD	Z3Z4Z7	-	*	H54-2677-03	ITEM CARTON CASE	Z3	
-			B46-0606-04	ID CARD	Z8	-	*	H54-2678-03	ITEM CARTON CASE	Z4	
-			B58-1365-04	CAUTION CARD		-	*	H54-2681-03	ITEM CARTON CASE	Z7	
-		*	B64-2435-00	INSTRUCTION MANUAL(ENG,T-CHI)	M1M2M3	-	*	H54-2682-03	ITEM CARTON CASE	Z8	
-		*	B64-2436-00	INSTRUCTION MANUAL(ARABIC)	M1M2M3	-	*	H54-2683-03	ITEM CARTON CASE	E	
-		*	B64-2437-00	INSTRUCTION MANUAL(ENGLISH)	EE1E2	-	*	H54-2684-03	ITEM CARTON CASE	E1	
-		*	B64-2437-00	INSTRUCTION MANUAL(ENGLISH)	E3E4E5	-	*	H54-2685-03	ITEM CARTON CASE	E2	
-		*	B64-2437-00	INSTRUCTION MANUAL(ENGLISH)	E6E7Z	-	*	H54-2686-03	ITEM CARTON CASE	E3	
-		*	B64-2437-00	INSTRUCTION MANUAL(ENGLISH)	Z1Z2Z3	-	*	H54-2687-03	ITEM CARTON CASE	E4	
-		*	B64-2437-00	INSTRUCTION MANUAL(ENGLISH)	Z4	-	*	H54-2688-03	ITEM CARTON CASE	E5	
-		*	B64-2438-00	INSTRUCTI. MANUAL(FRE,GER,DUT)	ZZ1Z2	-	*	H54-2689-03	ITEM CARTON CASE	E6	
-		*	B64-2438-00	INSTRUCTI. MANUAL(FRE,GER,DUT)	Z3	-	*	H54-2690-03	ITEM CARTON CASE	E7	
-		*	B64-2439-00	INSTRUCTI. MANUAL(ITA,SPA,POR)	ZZ1Z2	241	3E	J19-5125-02	HOLDER		
-		*	B64-2439-00	INSTRUCTI. MANUAL(ITA,SPA,POR)	Z3Z4	242	1C	J21-9701-03	MOUNTING HARDWARE ASSY		
-		*	B64-2440-00	INSTRUCTION MANUAL(ENG,RUS)	Z7Z8	244	3D	J61-0307-05	WIRE BAND		
-		*	B64-2442-00	INSTRUCTI. MANUAL(RUS,POL,CZE)	E3E4E5	246	3F	K24-3545-04	KNOB (EJECT)		
-		*	B64-2442-00	INSTRUCTI. MANUAL(RUS,POL,CZE)	E6E7	247	3F	K24-3546-04	KNOB (FF)		
-		*	B64-2443-00	INSTRUCTI. MANUAL(HUN,CRO,SLO)	EE1E2	248	3F	K24-3547-04	KNOB (REW)		
-		*	B64-2443-00	INSTRUCTI. MANUAL(HUN,CRO,SLO)	E3E4E5	249	3E	K24-3817-03	KNOB (SRC)		
-		*	B64-2443-00	INSTRUCTI. MANUAL(HUN,CRO,SLO)	E6E7	250	2E	K24-3818-04	KNOB (RELEASE)		
211	3C		B07-2188-02	ESCUTCHEON		251	3E	K24-3819-04	KNOB (SEEK)		
216	1C		D10-3031-04	LEVER		252	3E	K25-1387-03	KNOB (AUTO,CLK)		
217	1F		D10-4446-03	LEVER		253	3E	K25-1388-03	KNOB (ATT,PRE,RST)		
218	1F		D10-4447-03	LEVER		254	3E	K25-1389-03	KNOB (FM/AM)		
219	1F		D21-2329-04	SHAFT		255	3E	K25-1390-03	KNOB (VOL)		
CME1	2C		D40-1136-05	CASSETTE MECHANISM ASSY		261	1C	N99-1610-15	SCREW SET	M1M2M3	
221	2D		E29-1585-04	LEAD PLATE		262	1C	N99-1719-05	SCREW SET	M1M2M3	
222	2F		E29-1869-02	CONDUCTIVE RUBBER		A	3D	N30-3004-46	PAN HEAD MACHINE SCREW		
DC1	1C		E30-4790-05	DC CORD		B	3D	N83-3005-46	PAN HEAD TAPTITE SCREW		
						G	3E	N80-2006-46	PAN HEAD TAPTITE SCREW		

△

PARTS LIST

* New Parts

Parts without **Parts No.** are not supplied.

Les articles non mentionnes dans le **Parts No.** ne sont pas fournis.

Teile ohne **Parts No.** werden nicht geliefert.

KRC-17./194./266./27./2904./294.

Ref. No.	A d d	N e w	Parts No.	Description	Dest inati on
H	2F		N29-0205-04	RETAINING RING (1.5)	
J	2F		N80-2008-45	PAN HEAD TAPTITE SCREW	
K	1D		N30-3008-46	PAN HEAD MACHINE SCREW	
263	1C		T90-0523-05	ANTENNA ADAPTOR	
263	1C		T90-0534-05	ANTENNA ADAPTOR	
SYNTHESIZER UNIT (X14-687x-xx)					
C1 ,2			CK73GB1H152K	CHIP C 1500PF K	
C3 ,4			CE04CW0J470M	ELECTRO 47UF 6.3WV	
C5 ,6			CC73GCH1H101J	CHIP C 100PF J	
C7 ,8			CK73GB1E223K	CHIP C 0.022UF K	
C7 ,8			CK73GB1H223K	CHIP C 0.022UF K	
C9 ,10			CE04CW1A101M	ELECTRO 100UF 10WV	
C13 ,14			CK73GB1A224K	CHIP C 0.22UF K	
C15 -18			C90-5296-05	NP-ELECT 0.22UF 50WV	
C50			C90-5242-05	ELECTRO 3300UF 16WV	
C52			CK73GB1H103K	CHIP C 0.010UF K	
C53			CE04CW1C101M	ELECTRO 100UF 16WV	
C54			CK73GB1H103K	CHIP C 0.010UF K	
C55			C90-2594-05	ELECTRO 10UF 10WV	
C56			CE04CW0J101M	ELECTRO 100UF 6.3WV	
C57			CE04CW1C101M	ELECTRO 100UF 16WV	
C58			CE04CW1A101M	ELECTRO 100UF 10WV	
C101			CK73GB1H103K	CHIP C 0.010UF K	
C102,103			CC73GCH1H150J	CHIP C 15PF J	
C104			CK73GB1E223K	CHIP C 0.022UF K	
C104			CK73GB1H223K	CHIP C 0.022UF K	
C150			CE04CW1A470M	ELECTRO 47UF 10WV	
C151			CK73GB1H103K	CHIP C 0.010UF K	
C152			C90-2608-05	ELECTRO 1.0UF 50WV	
C153			CK73GB1H153K	CHIP C 0.015UF K	
C154			CK73GB1A224K	CHIP C 0.22UF K	
C155			CK73GB1C104K	CHIP C 0.10UF K	
C156			CK73GB1E333K	CHIP C 0.033UF K	
C156			CK73GB1H333K	CHIP C 0.033UF K	
C157			CC73GCH1H151J	CHIP C 150PF J	
C158			CC73GCH1H101J	CHIP C 100PF J	E2E3E4
C158			CC73GCH1H101J	CHIP C 100PF J	E5E6E7
C158			CC73GCH1H101J	CHIP C 100PF J	M1EE1
C158			CC73GCH1H101J	CHIP C 100PF J	Z1Z2
C158			CC73GCH1H101J	CHIP C 100PF J	Z3Z4
C158			CK73GB1C104K	CHIP C 0.10UF K	M2M3Z7
C158			CK73GB1C104K	CHIP C 0.10UF K	Z8
C159			CE04CW1A101M	ELECTRO 100UF 10WV	
C160			C90-2597-05	ELECTRO 10UF 16WV	
C161			C90-2935-05	ELECTRO 1.0UF 50WV	
C162			C90-2608-05	ELECTRO 1.0UF 50WV	
C163,164			CK73GB1H103K	CHIP C 0.010UF K	EE1E2
C163,164			CK73GB1H103K	CHIP C 0.010UF K	E3E4E5
C163,164			CK73GB1H103K	CHIP C 0.010UF K	E6E7Z
C163,164			CK73GB1H103K	CHIP C 0.010UF K	M1M2M3
C163,164			CK73GB1H103K	CHIP C 0.010UF K	Z1Z2Z3
C163,164			CK73GB1H103K	CHIP C 0.010UF K	Z4
C164			CK73GB1H103K	CHIP C 0.010UF K	Z7Z8
C202			CK73GB1H103K	CHIP C 0.010UF K	

Ref. No.	A d d	N e w	Parts No.	Description	Dest inati on
C204			CK73GB1H103K	CHIP C 0.010UF K	
C209			CE04DW1A470M	ELECTRO 47UF 10WV	
C214			CK73GB1H103K	CHIP C 0.010UF K	
C250			CE04CW1A101M	ELECTRO 100UF 10WV	
C251			CK73GB1E473K	CHIP C 0.047U K	
C350			C90-2598-05	ELECTRO 3.3UF 25WV	
C351			CK73GB1C683K	CHIP C 0.068UF K	
C352			C90-2602-05	ELECTRO 0.10UF 50WV	
C380			CK73GB1H103K	CHIP C 0.010UF K	
C400			CE04CW0J220M	ELECTRO 22UF 6.3WV	EE1E4
C400			CE04CW0J220M	ELECTRO 22UF 6.3WV	E5Z1
C400			CE04CW0J220M	ELECTRO 22UF 6.3WV	M1M2M3
C401,402			C90-2606-05	ELECTRO 0.47UF 50WV	EE1E4
C401,402			C90-2606-05	ELECTRO 0.47UF 50WV	E5Z1
C401,402			C90-2606-05	ELECTRO 0.47UF 50WV	M1M2M3
C450,451			C90-2597-05	ELECTRO 10UF 16WV	EE1E2
C450,451			C90-2597-05	ELECTRO 10UF 16WV	E3E4E5
C450,451			C90-2597-05	ELECTRO 10UF 16WV	E6E7Z
C450,451			C90-2597-05	ELECTRO 10UF 16WV	M1M2M3
C450,451			C90-2597-05	ELECTRO 10UF 16WV	Z1Z2Z3
C450,451			C90-2597-05	ELECTRO 10UF 16WV	Z4
C452			CK73GB1H103K	CHIP C 0.010UF K	EE1E2
C452			CK73GB1H103K	CHIP C 0.010UF K	E3E4E5
C452			CK73GB1H103K	CHIP C 0.010UF K	E6E7Z
C452			CK73GB1H103K	CHIP C 0.010UF K	M1M2M3
C452			CK73GB1H103K	CHIP C 0.010UF K	Z1Z2Z3
C452			CK73GB1H103K	CHIP C 0.010UF K	Z4
C500			C90-2592-05	ELECTRO 10UF 6.3WV	E2E3E4
C500			C90-2592-05	ELECTRO 10UF 6.3WV	E5E6E7
C500			C90-2592-05	ELECTRO 10UF 6.3WV	M1EE1
C500			C90-2592-05	ELECTRO 10UF 6.3WV	Z1Z2
C500			C90-2592-05	ELECTRO 10UF 6.3WV	Z3Z4
C501			CC73GCH1H331J	CHIP C 330PF J	E2E3E4
C501			CC73GCH1H331J	CHIP C 330PF J	E5E6E7
C501			CC73GCH1H331J	CHIP C 330PF J	M1EE1
C501			CC73GCH1H331J	CHIP C 330PF J	Z1Z2
C501			CC73GCH1H331J	CHIP C 330PF J	Z3Z4
C502			CK73GB1H103K	CHIP C 0.010UF K	E2E3E4
C502			CK73GB1H103K	CHIP C 0.010UF K	E5E6E7
C502			CK73GB1H103K	CHIP C 0.010UF K	M1EE1
C502			CK73GB1H103K	CHIP C 0.010UF K	Z1Z2
C502			CK73GB1H103K	CHIP C 0.010UF K	Z3Z4
C503			C90-2592-05	ELECTRO 10UF 6.3WV	E2E3E4
C503			C90-2592-05	ELECTRO 10UF 6.3WV	E5E6E7
C503			C90-2592-05	ELECTRO 10UF 6.3WV	M1EE1
C503			C90-2592-05	ELECTRO 10UF 6.3WV	Z1Z2
C503			C90-2592-05	ELECTRO 10UF 6.3WV	Z3Z4
C504,505			CC73GCH1H100D	CHIP C 10PF D	E2E3E4
C504,505			CC73GCH1H100D	CHIP C 10PF D	E5E6E7
C504,505			CC73GCH1H100D	CHIP C 10PF D	M1EE1
C504,505			CC73GCH1H100D	CHIP C 10PF D	Z1Z2
C504,505			CC73GCH1H100D	CHIP C 10PF D	Z3Z4
C506			CK73GB1C104K	CHIP C 0.10UF K	E2E3E4
C506			CK73GB1C104K	CHIP C 0.10UF K	E5E6E7
C506			CK73GB1C104K	CHIP C 0.10UF K	M1EE1

E : KRC-294YA E4: KRC-27YA Z : KRC-294A Z4: KRC-17G M1: KRC-266RG
E1: KRC-294YG E5: KRC-27YG Z1: KRC-294G Z7: KRC-2904YA M2: KRC-266LA
E2: KRC-194YA E6: KRC-17YA Z2: KRC-194A Z8: KRC-2904YG M3: KRC-266LG
E3: KRC-194YG E7: KRC-17YG Z3: KRC-194G

△ indicates safety critical components.

PARTS LIST

* New Parts

Parts without **Parts No.** are not supplied.

Les articles non mentionnes dans le **Parts No.** ne sont pas fournis.

Teile ohne **Parts No.** werden nicht geliefert.

SYNTHESIZER UNIT (X14-687x-xx)

Ref. No.	A d d	N e w	Parts No.	Description	Dest inati on
C506			CK73GB1C104K	CHIP C 0.10UF K	ZZ1Z2
C506			CK73GB1C104K	CHIP C 0.10UF K	Z3Z4
CN1			E40-3240-05	PIN ASSY	
J1			E04-0312-05	RF COAXIAL CABLE RECEPTACLE	
J2			E58-0863-15	RECTANGULAR RECEPTACLE	
J3			E58-0888-05	RECTANGULAR RECEPTACLE	
J4			E56-0834-05	CYLINDRICAL RECEPTACLE	EE1E4
J4			E56-0834-05	CYLINDRICAL RECEPTACLE	E5Z71
J4			E56-0834-05	CYLINDRICAL RECEPTACLE	M1M2M3
J5			E63-0013-05	PIN JACK	EE1E2
J5			E63-0013-05	PIN JACK	E3E4E5
J5			E63-0013-05	PIN JACK	E6E7Z
J5			E63-0013-05	PIN JACK	M1M2M3
J5			E63-0013-05	PIN JACK	Z1Z2Z3
J5			E63-0013-05	PIN JACK	Z4
WH1			E39-0344-05	WIRING HARNESS	
L1			L33-1063-15	CHOKO COIL	
L3			L40-4795-91	SMALL FIXED INDUCTOR(4.7UH,J)	
L4			L33-1123-05	LINE FILTER COIL	
L6 -8			L40-4795-91	SMALL FIXED INDUCTOR(4.7UH,J)	
L10			L40-4795-91	SMALL FIXED INDUCTOR(4.7UH,J)	
L12			L40-4795-91	SMALL FIXED INDUCTOR(4.7UH,J)	E2E3E4
L12			L40-4795-91	SMALL FIXED INDUCTOR(4.7UH,J)	E5E6E7
L12			L40-4795-91	SMALL FIXED INDUCTOR(4.7UH,J)	M1EE1
L12			L40-4795-91	SMALL FIXED INDUCTOR(4.7UH,J)	ZZ1Z2
L12			L40-4795-91	SMALL FIXED INDUCTOR(4.7UH,J)	Z3Z4
X1			L77-1167-05	CRYSTAL RESONATOR(4.19M)	
X2			L77-2002-05	CRYSTAL RESONATOR	E2E3E4
X2			L77-2002-05	CRYSTAL RESONATOR	E5E6E7
X2			L77-2002-05	CRYSTAL RESONATOR	M1EE1
X2			L77-2002-05	CRYSTAL RESONATOR	ZZ1Z2
X2			L77-2002-05	CRYSTAL RESONATOR	Z3Z4
B	1D		N83-3005-46	PAN HEAD TAPTITE SCREW	
C	1D		N35-3010-46	BINDING HEAD MACHINE SCREW	
D	1D		N80-3008-46	PAN HEAD TAPTITE SCREW	EE1E2
D	1D		N80-3008-46	PAN HEAD TAPTITE SCREW	E3E4E5
D	1D		N80-3008-46	PAN HEAD TAPTITE SCREW	E6E7Z
D	1D		N80-3008-46	PAN HEAD TAPTITE SCREW	M1M2M3
D	1D		N80-3008-46	PAN HEAD TAPTITE SCREW	Z1Z2Z3
E	1D		N80-3008-46	PAN HEAD TAPTITE SCREW	Z4
D	1D		N83-3020-46	PAN HEAD TAPTITE SCREW	
F	2D		N86-2606-46	BINDING HEAD TAPTITE SCREW	
R1 ,2			RK73GB2A223J	CHIP R 22K J 1/10W	
R3			RK73EB2E101J	CHIP R 100 J 1/4W	
R4			RK73GB2A101J	CHIP R 100 J 1/10W	
R5 ,6			RK73GB2A682J	CHIP R 6.8K J 1/10W	
R7 ,8			RK73GB2A124J	CHIP R 120K J 1/10W	
R13			RK73EB2E472J	CHIP R 4.7K J 1/4W	
R14 ,15			RK73GB2A472J	CHIP R 4.7K J 1/10W	
R16			RK73EB2E472J	CHIP R 4.7K J 1/4W	
R48			RK73EB2E104J	CHIP R 100K J 1/4W	
R49			RK73EB2E223J	CHIP R 22K J 1/4W	
R51			RD14DB2H332J	SMALL-RD 3.3K J 1/2W	

Ref. No.	A d d	N e w	Parts No.	Description	Dest inati on
R52			RK73FB2B333J	CHIP R 33K J 1/8W	
R54			RK73FB2B103J	CHIP R 10K J 1/8W	
R55			RD14BB2C473J	RD 47K J 1/6W	
R57			RK73GB2A473J	CHIP R 47K J 1/10W	
R58			RK73FB2B223J	CHIP R 22K J 1/8W	
R59			RK73GB2A101J	CHIP R 100 J 1/10W	
R60			RK73GB2A473J	CHIP R 47K J 1/10W	
R61			RK73GB2A562J	CHIP R 5.6K J 1/10W	
R62			RK73GB2A103J	CHIP R 10K J 1/10W	
R63 ,64			RK73GB2A102J	CHIP R 1.0K J 1/10W	
R65 ,66			RD14DB2H2R2J	SMALL-RD 2.2 J 1/2W	
R67			RD14BB2C102J	RD 1.0K J 1/6W	
R100			RD14BB2C100J	RD 10 J 1/6W	
R101			RK73GB2A473J	CHIP R 47K J 1/10W	M2M3
R102			RK73GB2A473J	CHIP R 47K J 1/10W	E4E5Z
R102			RK73GB2A473J	CHIP R 47K J 1/10W	M1EE1
R102			RK73GB2A473J	CHIP R 47K J 1/10W	Z1Z7Z8
R102,103			RK73GB2A473J	CHIP R 47K J 1/10W	E2E3E6
R102,103			RK73GB2A473J	CHIP R 47K J 1/10W	E7Z2Z3
R102,103			RK73GB2A473J	CHIP R 47K J 1/10W	Z4
R103			RK73GB2A473J	CHIP R 47K J 1/10W	M2M3
R104			RK73GB2A473J	CHIP R 47K J 1/10W	E4E5Z
R104			RK73GB2A473J	CHIP R 47K J 1/10W	M1EE1
R104			RK73GB2A473J	CHIP R 47K J 1/10W	Z1Z7Z8
R105			RK73GB2A682J	CHIP R 6.8K J 1/10W	
R106			RK73GB2A222J	CHIP R 2.2K J 1/10W	
R107			RD14BB2C103J	RD 10K J 1/6W	E2E3E4
R107			RD14BB2C103J	RD 10K J 1/6W	E5E6E7
R107			RD14BB2C103J	RD 10K J 1/6W	M1EE1
R107			RD14BB2C103J	RD 10K J 1/6W	ZZ1Z2
R107			RD14BB2C103J	RD 10K J 1/6W	Z3Z4
R108			RK73GB2A473J	CHIP R 47K J 1/10W	E2E3E4
R108			RK73GB2A473J	CHIP R 47K J 1/10W	E5E6E7
R108			RK73GB2A473J	CHIP R 47K J 1/10W	M1EE1
R108			RK73GB2A473J	CHIP R 47K J 1/10W	ZZ1Z2
R108			RK73GB2A473J	CHIP R 47K J 1/10W	Z3Z4
R110			RK73GB2A104J	CHIP R 100K J 1/10W	
R111			RK73GB2A222J	CHIP R 2.2K J 1/10W	
R112			RK73GB2A104J	CHIP R 100K J 1/10W	
R113			RK73GB2A222J	CHIP R 2.2K J 1/10W	
R117			RK73GB2A472J	CHIP R 4.7K J 1/10W	
R118			RK73GB2A222J	CHIP R 2.2K J 1/10W	Z7Z8
R119			RD14BB2C222J	RD 2.2K J 1/6W	
R120			RD14BB2C102J	RD 1.0K J 1/6W	
R121			RK73EB2E103J	CHIP R 10K J 1/4W	
R122			RK73GB2A102J	CHIP R 1.0K J 1/10W	
R123			RK73GB2A103J	CHIP R 10K J 1/10W	
R124			RK73GB2A102J	CHIP R 1.0K J 1/10W	
R125			RK73GB2A472J	CHIP R 4.7K J 1/10W	E2E3E4
R125			RK73GB2A472J	CHIP R 4.7K J 1/10W	E5E6E7
R125			RK73GB2A472J	CHIP R 4.7K J 1/10W	M1EE1
R125			RK73GB2A472J	CHIP R 4.7K J 1/10W	ZZ1Z2
R125			RK73GB2A472J	CHIP R 4.7K J 1/10W	Z3Z4
R133			RK73GB2A473J	CHIP R 47K J 1/10W	
R140			RK73GB2A473J	CHIP R 47K J 1/10W	

PARTS LIST

* New Parts

Parts without **Parts No.** are not supplied.

Les articles non mentionnés dans le **Parts No.** ne sont pas fournis.

Teile ohne **Parts No.** werden nicht geliefert.

SYNTHESIZER UNIT (X14-687x-xx)

Ref. No.	A d	N e w	Parts No.	Description	Dest inati on	Ref. No.	A d	N e w	Parts No.	Description	Dest inati on
R142			RK73GB2A473J	CHIP R 47K J 1/10W		R403			RK73EB2E101J	CHIP R 100 J 1/4W	EE1E4
R150,151			RK73GB2A472J	CHIP R 4.7K J 1/10W		R403			RK73EB2E101J	CHIP R 100 J 1/4W	E5ZZ1
R152			RK73FB2B102J	CHIP R 1.0K J 1/8W		R403			RK73EB2E101J	CHIP R 100 J 1/4W	M1M2M3
R153			RK73GB2A913J	CHIP R 91K J 1/10W		R404,405			RK73GB2A104J	CHIP R 100K J 1/10W	EE1E4
R154			RK73GB2A751J	CHIP R 750 J 1/10W		R404,405			RK73GB2A104J	CHIP R 100K J 1/10W	E5ZZ1
R155			RK73GB2A431J	CHIP R 430 J 1/10W		R404,405			RK73GB2A104J	CHIP R 100K J 1/10W	M1M2M3
R156			RK73GB2A184J	CHIP R 180K J 1/10W		R406,407			RK73EB2E472J	CHIP R 4.7K J 1/4W	EE1E4
R157			RK73GB2A101J	CHIP R 100 J 1/10W		R406,407			RK73EB2E472J	CHIP R 4.7K J 1/4W	E5ZZ1
R158			RK73GB2A333J	CHIP R 33K J 1/10W		R406,407			RK73EB2E472J	CHIP R 4.7K J 1/4W	M1M2M3
R159			RK73GB2A104J	CHIP R 100K J 1/10W		R408			RK73EB2E102J	CHIP R 1.0K J 1/4W	EE1E4
R160			RK73EB2E102J	CHIP R 1.0K J 1/4W	E2E3E4	R408			RK73EB2E102J	CHIP R 1.0K J 1/4W	E5ZZ1
R160			RK73EB2E102J	CHIP R 1.0K J 1/4W	E5E6E7	R408			RK73EB2E102J	CHIP R 1.0K J 1/4W	M1M2M3
R160			RK73EB2E102J	CHIP R 1.0K J 1/4W	M1EE1	R409,410			RK73EB2E472J	CHIP R 4.7K J 1/4W	EE1E4
R160			RK73EB2E102J	CHIP R 1.0K J 1/4W	ZZ1Z2	R409,410			RK73EB2E472J	CHIP R 4.7K J 1/4W	E5ZZ1
R160			RK73EB2E102J	CHIP R 1.0K J 1/4W	Z3Z4	R409,410			RK73EB2E472J	CHIP R 4.7K J 1/4W	M1M2M3
R161			RK73GB2A103J	CHIP R 10K J 1/10W	EE1E2	R411,412			RK73EB2E101J	CHIP R 100 J 1/4W	EE1E4
R161			RK73GB2A103J	CHIP R 10K J 1/10W	E3E4E5	R411,412			RK73EB2E101J	CHIP R 100 J 1/4W	E5ZZ1
R161			RK73GB2A103J	CHIP R 10K J 1/10W	E6E7Z	R411,412			RK73EB2E101J	CHIP R 100 J 1/4W	M1M2M3
R161			RK73GB2A103J	CHIP R 10K J 1/10W	M1M2M3	R413			RK73GB2A104J	CHIP R 100K J 1/10W	EE1E4
R161			RK73GB2A103J	CHIP R 10K J 1/10W	Z1Z2Z3	R413			RK73GB2A104J	CHIP R 100K J 1/10W	E5ZZ1
R161			RK73GB2A103J	CHIP R 10K J 1/10W	Z4	R413			RK73GB2A104J	CHIP R 100K J 1/10W	M1M2M3
R162			RK73GB2A473J	CHIP R 47K J 1/10W		R450,451			RK73FB2B271J	CHIP R 270 J 1/8W	EE1E2
R200			RD14BB2C102J	RD 1.0K J 1/6W		R450,451			RK73FB2B271J	CHIP R 270 J 1/8W	E3E4E5
R201			RK73EB2E223J	CHIP R 22K J 1/4W		R450,451			RK73FB2B271J	CHIP R 270 J 1/8W	E6E7Z
R202			RD14BB2C102J	RD 1.0K J 1/6W		R450,451			RK73FB2B271J	CHIP R 270 J 1/8W	M1M2M3
R203			RK73EB2E223J	CHIP R 22K J 1/4W		R450,451			RK73FB2B271J	CHIP R 270 J 1/8W	Z1Z2Z3
R205			RK73EB2E151J	CHIP R 150 J 1/4W		R450,451			RK73FB2B271J	CHIP R 270 J 1/8W	Z4
R206			RK73GB2A472J	CHIP R 4.7K J 1/10W		R452,453			RK73FB2B303J	CHIP R 30K J 1/8W	EE1E2
R207			RK73GB2A272J	CHIP R 2.7K J 1/10W		R452,453			RK73FB2B303J	CHIP R 30K J 1/8W	E3E4E5
R250			RK73EB2E100J	CHIP R 10 J 1/4W		R452,453			RK73FB2B303J	CHIP R 30K J 1/8W	E6E7Z
R251			RK73GB2A103J	CHIP R 10K J 1/10W		R452,453			RK73FB2B303J	CHIP R 30K J 1/8W	M1M2M3
R252			RD14BB2C473J	RD 47K J 1/6W		R452,453			RK73FB2B303J	CHIP R 30K J 1/8W	Z1Z2Z3
R260			RD14DB2H102J	SMALL-RD 1.0K J 1/2W		R452,453			RK73FB2B303J	CHIP R 30K J 1/8W	Z4
R261			RD14BB2C103J	RD 10K J 1/6W		R454,455			RK73EB2E101J	CHIP R 100 J 1/4W	EE1E2
R262,263			RD14BB2C473J	RD 47K J 1/6W		R454,455			RK73EB2E101J	CHIP R 100 J 1/4W	E3E4E5
R301,302			RK73EB2E471J	CHIP R 470 J 1/4W		R454,455			RK73EB2E101J	CHIP R 100 J 1/4W	E6E7Z
R303-306			RK73EB2E102J	CHIP R 1.0K J 1/4W		R454,455			RK73EB2E101J	CHIP R 100 J 1/4W	M1M2M3
R320			RK73GB2A473J	CHIP R 47K J 1/10W		R454,455			RK73EB2E101J	CHIP R 100 J 1/4W	Z1Z2Z3
R321			RK73EB2E273J	CHIP R 27K J 1/4W		R454,455			RK73EB2E101J	CHIP R 100 J 1/4W	Z4
R322			RK73EB2E222J	CHIP R 2.2K J 1/4W		R500-502			RD14BB2C222J	RD 2.2K J 1/6W	E2E3E4
R323			RK73EB2E100J	CHIP R 10 J 1/4W		R500-502			RD14BB2C222J	RD 2.2K J 1/6W	E5E6E7
R350			RD14BB2C472J	RD 4.7K J 1/6W		R500-502			RD14BB2C222J	RD 2.2K J 1/6W	M1EE1
R351			RD14DB2H102J	SMALL-RD 1.0K J 1/2W		R500-502			RD14BB2C222J	RD 2.2K J 1/6W	ZZ1Z2
R352			RK73FB2B223J	CHIP R 22K J 1/8W		R500-502			RD14BB2C222J	RD 2.2K J 1/6W	Z3Z4
R353			RD14DB2H102J	SMALL-RD 1.0K J 1/2W		R503			RK73EB2E102J	CHIP R 1.0K J 1/4W	E2E3E4
R370			RD14BB2C472J	RD 4.7K J 1/6W		R503			RK73EB2E102J	CHIP R 1.0K J 1/4W	E5E6E7
R380			RK73EB2E103J	CHIP R 10K J 1/4W		R503			RK73EB2E102J	CHIP R 1.0K J 1/4W	M1EE1
R381			RK73GB2A223J	CHIP R 22K J 1/10W		R503			RK73EB2E102J	CHIP R 1.0K J 1/4W	ZZ1Z2
R382			RK73GB2A473J	CHIP R 47K J 1/10W		R503			RK73EB2E102J	CHIP R 1.0K J 1/4W	Z3Z4
R400			RK73EB2E4R7J	CHIP R 4.7 J 1/4W	EE1E4	R504			RK73GB2A472J	CHIP R 4.7K J 1/10W	E2E3E4
R400			RK73EB2E4R7J	CHIP R 4.7 J 1/4W	E5ZZ1	R504			RK73GB2A472J	CHIP R 4.7K J 1/10W	E5E6E7
R401,402			RK73EB2E100J	CHIP R 10 J 1/4W	M1M2M3	R504			RK73GB2A472J	CHIP R 4.7K J 1/10W	M1EE1
R401,402			RK73EB2E100J	CHIP R 10 J 1/4W	EE1E4	R504			RK73GB2A472J	CHIP R 4.7K J 1/10W	ZZ1Z2
R401,402			RK73EB2E100J	CHIP R 10 J 1/4W	E5ZZ1	R504			RK73GB2A472J	CHIP R 4.7K J 1/10W	Z3Z4
R401,402			RK73EB2E100J	CHIP R 10 J 1/4W	M1M2M3	W153,154			R92-2053-05	CHIP R 0 J 1/8W	

E : KRC-294YA E1: KRC-294YG E2: KRC-194YA E3: KRC-194YG
E4: KRC-27YA E5: KRC-27YG E6: KRC-17YA E7: KRC-17YG
Z : KRC-294A Z1: KRC-294G Z2: KRC-194A Z3: KRC-194G
Z4: KRC-17G Z7: KRC-2904YA Z8: KRC-2904YG
M1: KRC-266RG M2: KRC-266LA M3: KRC-266LG

△ indicates safety critical components.

PARTS LIST

* New Parts

Parts without **Parts No.** are not supplied.

Les articles non mentionnes dans le **Parts No.** ne sont pas fournis.

Teile ohne **Parts No.** werden nicht geliefert.

SYNTHESIZER UNIT (X14-687x-xx)

Ref. No.	A d d	N e w	Parts No.	Description	Dest inati on
W156-170			R92-2053-05	CHIP R 0 J 1/8W	
W171			R92-1252-05	CHIP R 0 OHM J 1/16W	
W173,174			R92-2053-05	CHIP R 0 J 1/8W	
D50			S2V20*A	DIODE	
D50			1N5393G-M6	DIODE	
D51			HZS7A3L	ZENER DIODE	
D51			MA4068(N)-M	ZENER DIODE	
D52			MA4051(N)-M	ZENER DIODE	
D53			AM01Z	DIODE	
D53			DSM1SD2	DIODE	
D53			ERA15-01	DIODE	
D54			MA4056(N)-M	ZENER DIODE	
D55			MA4091(N)-L	ZENER DIODE	
D56			MA4110-L	ZENER DIODE	
D100			1SS133	DIODE	
D150-152			1SS133	DIODE	
D200			MA4051(N)-M	ZENER DIODE	
D260,261			AM01Z	DIODE	
D260,261			DSM1SD2	DIODE	
D260,261			ERA15-01	DIODE	
D351			AM01Z	DIODE	
D351			DSM1SD2	DIODE	
D351			ERA15-01	DIODE	
D352			1SS133	DIODE	
D370,371			AM01Z	DIODE	
D370,371			DSM1SD2	DIODE	
D370,371			ERA15-01	DIODE	
D380			MA4047-M	ZENER DIODE	
D400,401			MA4062-L	ZENER DIODE	EE1E4
D400,401			MA4062-L	ZENER DIODE	E5Z21
D400,401			MA4062-L	ZENER DIODE	M1M2M3
D404			MA4062-L	ZENER DIODE	EE1E4
D404			MA4062-L	ZENER DIODE	E5Z21
D404			MA4062-L	ZENER DIODE	M1M2M3
D405			HZS7A3L	ZENER DIODE	EE1E4
D405			HZS7A3L	ZENER DIODE	E5Z21
D405			HZS7A3L	ZENER DIODE	M1M2M3
D405			MA4068(N)-M	ZENER DIODE	EE1E4
D405			MA4068(N)-M	ZENER DIODE	E5Z21
D405			MA4068(N)-M	ZENER DIODE	M1M2M3
D408,409			MA4062-L	ZENER DIODE	EE1E4
D408,409			MA4062-L	ZENER DIODE	E5Z21
D408,409			MA4062-L	ZENER DIODE	M1M2M3
D410			HZS7A3L	ZENER DIODE	EE1E4
D410			HZS7A3L	ZENER DIODE	E5Z21
D410			HZS7A3L	ZENER DIODE	M1M2M3
D410			MA4068(N)-M	ZENER DIODE	EE1E4
D410			MA4068(N)-M	ZENER DIODE	E5Z21
D410			MA4068(N)-M	ZENER DIODE	M1M2M3
IC1			UPD780058GC172	MI-COM IC	M1
IC1			UPD780058GC425	MI-COM IC	M2M3Z7
IC1			UPD780058GC425	MI-COM IC	Z8
IC1			UPD780058GC465	MI-COM IC	EE1E2
IC1			UPD780058GC465	MI-COM IC	E3E4E5

Ref. No.	A d d	N e w	Parts No.	Description	Dest inati on
IC1			UPD780058GC465	MI-COM IC	E6E7Z
IC1			UPD780058GC465	MI-COM IC	Z1Z2Z3
IC1			UPD780058GC465	MI-COM IC	Z4
IC2			TDA7400D	ANALOGUE IC	
IC3			HD74HC27FP	MOS-IC	
IC4			TDA7386	ANALOGUE IC	
IC5			LA3161	IC(PREAMP X2)	
IC6			PST9135NR	ANALOGUE IC	
IC7			TDA7479D	ANALOGUE IC	E2E3E4
IC7			TDA7479D	ANALOGUE IC	E5E6E7
IC7			TDA7479D	ANALOGUE IC	M1EE1
IC7			TDA7479D	ANALOGUE IC	ZZ1Z2
IC7			TDA7479D	ANALOGUE IC	Z3Z4
Q49 ,50			2SC2412K	TRANSISTOR	
Q49 ,50			2SD601A	TRANSISTOR	
Q51			2SB1443	TRANSISTOR	
Q52			2SC2412K	TRANSISTOR	
Q52			2SD601A	TRANSISTOR	
Q53			2SA1036K	TRANSISTOR	
Q54			DTC144EK	DIGITAL TRANSISTOR	
Q54			KRC104S	DIGITAL TRANSISTOR	
Q54			UN2213	DIGITAL TRANSISTOR	
Q55			DTA124EK	DIGITAL TRANSISTOR	
Q55			KRA103S	DIGITAL TRANSISTOR	
Q55			UN2112	DIGITAL TRANSISTOR	
Q56			2SA2057	TRANSISTOR	
Q56			2SB1548(P)	TRANSISTOR	
Q56			2SB1565(E,F)	TRANSISTOR	
Q56			2SB1655(E,F)	TRANSISTOR	
Q57			2SC2412K	TRANSISTOR	
Q57			2SD601A	TRANSISTOR	
Q58			DTC144EK	DIGITAL TRANSISTOR	
Q58			KRC104S	DIGITAL TRANSISTOR	
Q58			UN2213	DIGITAL TRANSISTOR	
Q59			DTA124EK	DIGITAL TRANSISTOR	
Q59			KRA103S	DIGITAL TRANSISTOR	
Q59			UN2112	DIGITAL TRANSISTOR	
Q60			2SA2057	TRANSISTOR	
Q60			2SB1548(P)	TRANSISTOR	
Q60			2SB1565(E,F)	TRANSISTOR	
Q60			2SB1655(E,F)	TRANSISTOR	
Q61			2SC2412K	TRANSISTOR	
Q61			2SD601A	TRANSISTOR	
Q150			DTC124EK	DIGITAL TRANSISTOR	
Q150			KRC103S	DIGITAL TRANSISTOR	
Q150			UN2212	DIGITAL TRANSISTOR	
Q151			DTC114YK	DIGITAL TRANSISTOR	
Q151			KRC107S	DIGITAL TRANSISTOR	
Q151			UN2214	DIGITAL TRANSISTOR	
Q153			DTA124EK	DIGITAL TRANSISTOR	EE1E2
Q153			DTA124EK	DIGITAL TRANSISTOR	E3E4E5
Q153			DTA124EK	DIGITAL TRANSISTOR	E6E7Z
Q153			DTA124EK	DIGITAL TRANSISTOR	M1M2M3
Q153			DTA124EK	DIGITAL TRANSISTOR	Z1Z2Z3
Q153			DTA124EK	DIGITAL TRANSISTOR	Z4

PARTS LIST

* New Parts

Parts without **Parts No.** are not supplied.

Les articles non mentionnes dans le **Parts No.** ne sont pas fournis.

Teile ohne **Parts No.** werden nicht geliefert.

SYNTHESIZER UNIT (X14-687x-xx)

Ref. No.	A d d	N e w	Parts No.	Description	Dest inati on	Ref. No.	A d d	N e w	Parts No.	Description	Dest inati on
Q153			KRA103S	DIGITAL TRANSISTOR	EE1E2	Q501			DTC114TK	DIGITAL TRANSISTOR	Z3Z4
Q153			KRA103S	DIGITAL TRANSISTOR	E3E4E5	Q501			UN2215	DIGITAL TRANSISTOR	E2E3E4
Q153			KRA103S	DIGITAL TRANSISTOR	E6E7Z	Q501			UN2215	DIGITAL TRANSISTOR	E5E6E7
Q153			KRA103S	DIGITAL TRANSISTOR	M1M2M3	Q501			UN2215	DIGITAL TRANSISTOR	M1EE1
Q153			KRA103S	DIGITAL TRANSISTOR	Z1Z2Z3	Q501			UN2215	DIGITAL TRANSISTOR	Z1Z2Z
Q153			KRA103S	DIGITAL TRANSISTOR	Z4	Q501			UN2215	DIGITAL TRANSISTOR	Z3Z4
Q153			UN2112	DIGITAL TRANSISTOR	EE1E2	Q502			DTA124EK	DIGITAL TRANSISTOR	E2E3E4
Q153			UN2112	DIGITAL TRANSISTOR	E3E4E5	Q502			DTA124EK	DIGITAL TRANSISTOR	E5E6E7
Q153			UN2112	DIGITAL TRANSISTOR	E6E7Z	Q502			DTA124EK	DIGITAL TRANSISTOR	M1EE1
Q153			UN2112	DIGITAL TRANSISTOR	M1M2M3	Q502			DTA124EK	DIGITAL TRANSISTOR	Z1Z2Z
Q153			UN2112	DIGITAL TRANSISTOR	Z1Z2Z3	Q502			DTA124EK	DIGITAL TRANSISTOR	Z3Z4
Q153			UN2112	DIGITAL TRANSISTOR	Z4	Q502			KRA103S	DIGITAL TRANSISTOR	E2E3E4
Q201			2SB1277(Q,R)	TRANSISTOR		Q502			KRA103S	DIGITAL TRANSISTOR	E5E6E7
Q203			2SB1277(Q,R)	TRANSISTOR		Q502			KRA103S	DIGITAL TRANSISTOR	M1EE1
Q260			DTC114YK	DIGITAL TRANSISTOR		Q502			KRA103S	DIGITAL TRANSISTOR	Z1Z2Z
Q260			KRC107S	DIGITAL TRANSISTOR		Q502			KRA103S	DIGITAL TRANSISTOR	Z3Z4
Q260			UN2214	DIGITAL TRANSISTOR		Q502			UN2112	DIGITAL TRANSISTOR	E2E3E4
Q261			2SB1443	TRANSISTOR		Q502			UN2112	DIGITAL TRANSISTOR	E5E6E7
Q301			DTA144EK	DIGITAL TRANSISTOR		Q502			UN2112	DIGITAL TRANSISTOR	M1EE1
Q301			UN2113	DIGITAL TRANSISTOR		Q502			UN2112	DIGITAL TRANSISTOR	Z1Z2Z
Q320			2SA1037K	TRANSISTOR		Q502			UN2112	DIGITAL TRANSISTOR	Z3Z4
Q350			2SB1277(Q,R)	TRANSISTOR		Q503			2SC2412K	TRANSISTOR	E2E3E4
Q351			2SA1037K	TRANSISTOR		Q503			2SC2412K	TRANSISTOR	E5E6E7
Q352			DTA124EK	DIGITAL TRANSISTOR		Q503			2SC2412K	TRANSISTOR	M1EE1
Q352			KRA103S	DIGITAL TRANSISTOR		Q503			2SC2412K	TRANSISTOR	Z1Z2Z
Q352			UN2112	DIGITAL TRANSISTOR		Q503			2SC2412K	TRANSISTOR	Z3Z4
Q353			DTC114YK	DIGITAL TRANSISTOR		Q503			2SD601A	TRANSISTOR	E2E3E4
Q353			KRC107S	DIGITAL TRANSISTOR		Q503			2SD601A	TRANSISTOR	E5E6E7
Q353			UN2214	DIGITAL TRANSISTOR		Q503			2SD601A	TRANSISTOR	M1EE1
Q450,451			DTC143TK	DIGITAL TRANSISTOR	EE1E2	Q503			2SD601A	TRANSISTOR	Z1Z2Z
Q450,451			DTC143TK	DIGITAL TRANSISTOR	E3E4E5	Q503			2SD601A	TRANSISTOR	Z3Z4
Q450,451			DTC143TK	DIGITAL TRANSISTOR	E6E7Z	TH1			PTH9C42BD471Q	POSITIVE RESISTOR	
Q450,451			DTC143TK	DIGITAL TRANSISTOR	M1M2M3	A1			X86-3282-72	TUNER UNIT	Z7Z8
Q450,451			DTC143TK	DIGITAL TRANSISTOR	Z1Z2Z3	A1			X86-3322-70	TUNER UNIT	EE1E2
Q450,451			DTC143TK	DIGITAL TRANSISTOR	Z4	A1			X86-3322-70	TUNER UNIT	E3E4E5
Q450,451			UN2216	DIGITAL TRANSISTOR	EE1E2	A1			X86-3322-70	TUNER UNIT	E6E7Z
Q450,451			UN2216	DIGITAL TRANSISTOR	E3E4E5	A1			X86-3322-70	TUNER UNIT	M1M2M3
Q450,451			UN2216	DIGITAL TRANSISTOR	E6E7Z	A1			X86-3322-70	TUNER UNIT	Z1Z2Z3
Q450,451			UN2216	DIGITAL TRANSISTOR	M1M2M3	A1			X86-3322-70	TUNER UNIT	Z4
Q450,451			UN2216	DIGITAL TRANSISTOR	Z1Z2Z3	SWITCH UNIT (X16-1512-7x)					
Q450,451			UN2216	DIGITAL TRANSISTOR	Z4	276	2E		B11-1376-04	OPTICAL DIFFUSER	
Q500			2SC2412K	TRANSISTOR	E2E3E4	277	2E		B11-0992-04	REFLECTION SHEET	
Q500			2SC2412K	TRANSISTOR	E5E6E7	278	2E		B19-2019-03	LIGHTING BOARD	
Q500			2SC2412K	TRANSISTOR	M1EE1	D1 -13			B30-1565-05	LED(1608,PG)	E3E5E7
Q500			2SC2412K	TRANSISTOR	Z1Z2Z	D1 -13			B30-1565-05	LED(1608,PG)	M1M3E1
Q500			2SC2412K	TRANSISTOR	Z3Z4	D1 -13			B30-1565-05	LED(1608,PG)	Z1Z3Z4
Q500			2SD601A	TRANSISTOR	E2E3E4	D1 -13			B30-1565-05	LED(1608,PG)	Z8
Q500			2SD601A	TRANSISTOR	E5E6E7	D1 -13			B30-1566-05	LED(1608,RED)	E4E6Z
Q500			2SD601A	TRANSISTOR	M1EE1	D1 -13			B30-1566-05	LED(1608,RED)	M2EE2
Q500			2SD601A	TRANSISTOR	Z1Z2Z	D1 -13			B30-1566-05	LED(1608,RED)	Z2Z7
Q500			2SD601A	TRANSISTOR	Z3Z4	D14			B30-1511-05	LED(1,RED)	E4E6Z
Q501			DTC114TK	DIGITAL TRANSISTOR	E2E3E4	D14			B30-1511-05	LED(1,RED)	M2EE2
Q501			DTC114TK	DIGITAL TRANSISTOR	E5E6E7	D14			B30-1511-05	LED(1,RED)	Z2Z7
Q501			DTC114TK	DIGITAL TRANSISTOR	M1EE1	D14			B30-1511-05	LED(1,RED)	E3E5E7
Q501			DTC114TK	DIGITAL TRANSISTOR	Z1Z2Z	D14			B30-2025-05	LED	

E : KRC-294YA E4: KRC-27YA Z : KRC-294A Z4: KRC-17G M1: KRC-266RG
E1: KRC-294YG E5: KRC-27YG Z1: KRC-294G Z7: KRC-2904YA M2: KRC-266LA
E2: KRC-194YA E6: KRC-17YA Z2: KRC-194A Z8: KRC-2904YG M3: KRC-266LG
E3: KRC-194YG E7: KRC-17YG Z3: KRC-194G

△ indicates safety critical components.

PARTS LIST

* New Parts

Parts without **Parts No.** are not supplied.

Les articles non mentionnes dans le **Parts No.** ne sont pas fournis.

Teile ohne **Parts No.** werden nicht geliefert.

SWITCH UNIT (X16-1512-7x)

Ref. No.	A d d	N e w	Parts No.	Description	Dest inati on
D14			B30-2025-05	LED	M1M3E1
D14			B30-2025-05	LED	Z1Z3Z4
D14			B30-2025-05	LED	Z8
D15			B30-1565-05	LED(1608,PG)	E3E5E7
D15			B30-1565-05	LED(1608,PG)	M1M3E1
D15			B30-1565-05	LED(1608,PG)	Z1Z3Z4
D15			B30-1565-05	LED(1608,PG)	Z8
D15			B30-1566-05	LED(1608,RED)	E4E6Z
D15			B30-1566-05	LED(1608,RED)	M2EE2
D15			B30-1566-05	LED(1608,RED)	Z2Z7
ED1			B38-1037-05	LIQUID CRYSTAL	E3E5E7
ED1			B38-1037-05	LIQUID CRYSTAL	M1M3E1
ED1			B38-1037-05	LIQUID CRYSTAL	Z1Z3Z4
ED1			B38-1037-05	LIQUID CRYSTAL	Z8
ED1			B38-1099-05	LIQUID CRYSTAL	E4E6Z
ED1			B38-1099-05	LIQUID CRYSTAL	M2EE2
ED1			B38-1099-05	LIQUID CRYSTAL	Z2Z7
PL1 ,2			B30-1485-05	LAMP (5.5V 0.125A)	
C1			CK73GB1H102K	CHIP C 1000PF K	
C2 ,3			CK73GB1E473K	CHIP C 0.047UF K	
C2 ,3			CK73GB1H473K	CHIP C 0.047UF K	
C4			CK73GB1H103K	CHIP C 0.010UF K	
279	2E		E29-1600-04	CONDUCTIVE RUBBER	
J1			E59-0831-05	RECTANGULAR PLUG	
R2			RK73GB2A102J	CHIP R 1.0K J 1/10W	
R3 -6			RK73GB2A101J	CHIP R 100 J 1/10W	
R7			RK73GB2A563J	CHIP R 56K J 1/10W	
R8			RK73GB2A102J	CHIP R 1.0K J 1/10W	
R9			RK73GB2A473J	CHIP R 47K J 1/10W	
R10			RK73EB2E331J	CHIP R 330 J 1/4W	
R11			RK73EB2E471J	CHIP R 470 J 1/4W	
R12 ,13			RK73EB2E331J	CHIP R 330 J 1/4W	
R14 ,15			RK73EB2E471J	CHIP R 470 J 1/4W	
R17 ,18			RK73EB2E130J	CHIP R 13 J 1/4W	
R21			RK73GB2A4R7J	CHIP R 4.7 J 1/10W	
D17			MA3062-M	ZENER DIODE	
IC1			LC75883E	MOS-IC	
Q1			DTA114EK	DIGITAL TRANSISTOR	
Q1			KRA102S	DIGITAL TRANSISTOR	
Q1			UN2111	DIGITAL TRANSISTOR	

Ref. No.	A d d	N e w	Parts No.	Description	Dest inati on
19		1A	D10-4096-08	ARM	
20		1A	J19-4736-08	HOLDER ASSY	
22		2A	G01-2827-08	TENSION COIL SPRING	
23		2A	D10-4097-08	LEVER	
25		2B	D10-4098-08	SLIDER	
26		2B	G09-2019-08	SPRING	
31		3A	D01-0608-08	FLYWHEEL ASSY	
33		3A	G01-2828-08	TENSION COIL SPRING	
34		2B	G01-2829-08	TENSION COIL SPRING	
35		2B	D10-4099-08	ARM	
36		1A	D10-4100-08	ARM	
37		1A	D14-0682-08	ROLLER	
38		1A	D10-4101-08	LEVER	
39		2A	G01-2830-08	COMPRESSION COIL SPRING	
40		2A	D10-4102-08	ARM	
52		2A	D13-1110-08	GEAR	
53		2B	D15-0909-08	PULLEY	
54		3B	D16-0606-08	BELT	
56		1B	D10-4105-08	ARM ASSY	
57		2B	D10-4104-08	ARM	
58		2B	G01-2831-08	TENSION COIL SPRING	
99		3B	E39-0181-08	WIRE HARNESS	
100		1B	J11-0618-08	CLAMPER	
101		3B	N09-4328-08	SCREW	
102		3A	N09-4326-08	SCREW	
103		3A	N09-4191-08	SCREW	
104		1B	N09-4192-08	SCREW	
105		2A	N09-4058-08	SCREW	
106		1A	N09-4109-08	SCREW	
111		3A	N19-2082-08	FLAT WASHER	
112		2A	N19-2083-08	FLAT WASHER	
113		2A	N19-2084-08	FLAT WASHER	
114		3A	N19-2043-08	FLAT WASHER	
115		2B	N19-2038-08	FLAT WASHER	
HD1		1B	T31-0229-08	PLAYBACK HEAD	
CM1		1A	T42-1025-08	MOTOR ASSY	

CASSETTE MECHANISM ASSY (D40-1136-05)

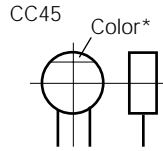
1	2A	A10-4328-08	CHASSIS CALKING ASSY
4	3B	J26-4017-08	PRINTED WIRING BOARD ASSY
5	2A	J21-7778-08	MOUNTING HARDWARE
6	2B	D10-4091-08	SLIDER
7	2B	D13-1323-08	GEAR
9	2B	D10-4200-08	ARM ASSY (F)
10	2A	D10-4201-08	ARM ASSY (R)
12	3A	A11-0930-08	SUB CHASSIS CALKING ASSY
14	3A	J26-4018-08	PRINTED WIRING BOARD ASSY
16	1B	G01-2826-08	TORSION COIL SPRING
17	1A	D10-4094-08	SLIDER
18	1B	D10-4095-08	SLIDER

PARTS LIST

CAPACITORS

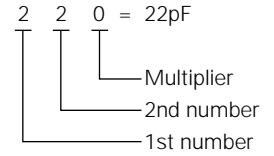
$\frac{CC}{1} \frac{45}{2} \frac{TH}{3} \frac{1H}{4} \frac{220}{5} \frac{J}{6}$

- 1 = Type ... ceramic, electrolytic, etc.
- 2 = Shape ... round, square, etc.
- 3 = Temp. coefficient
- 4 = Voltage rating
- 5 = Value
- 6 = Tolerance



• Capacitor value

- 010 = 1pF
- 100 = 10pF
- 101 = 100pF
- 102 = 1000pF = 0.001μF
- 103 = 0.01μF



• Temperature coefficient

1st Word	C	L	P	R	S	T	U
Color*	Black	Red	Orange	Yellow	Green	Blue	Violet
ppm/°C	0	-80	-150	-220	-330	-470	-750

2nd Word	G	H	J	K	L
ppm/°C	±30	±60	±120	±250	±500

Example : CC45TH = -470±60ppm/°C

• Tolerance (More than 10pF)

Code	C	D	G	J	K	M	X	Z	P	No code
(%)	±0.25	±0.5	±2	±5	±10	±20	+40 -20	+80 -20	+100 -0	More than 10μF : -10~+50 Less than 4.7μF : -10~+75

(Less than 10pF)

Code	B	C	D	F	G
(pF)	±0.1	±0.25	±0.5	±1	±2

• Voltage rating

2nd word \ 1st word	A	B	C	D	E	F	G	H	J	K	V
0	1.0	1.25	1.6	2.0	2.5	3.15	4.0	5.0	6.3	8.0	-
1	10	12.5	16	20	25	31.5	40	50	63	80	35
2	100	125	160	200	250	315	400	500	630	800	-
3	1000	1250	1600	2000	2500	2150	4000	5000	6300	8000	-

CHIP CAPACITORS

(EX) $\frac{CC}{1} \frac{73}{2} \frac{F}{3} \frac{SL}{4} \frac{1H}{5} \frac{000}{6} \frac{J}{7}$

(Chip) (CH, RH, UJ, SL)

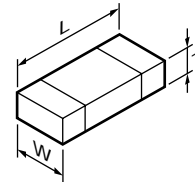
(EX) $\frac{CK}{1} \frac{73}{2} \frac{F}{3} \frac{F}{4} \frac{1H}{5} \frac{000}{6} \frac{Z}{7}$

(Chip) (B, F)

Refer to the table above.

- 1 = Type
- 2 = Shape
- 3 = Dimension
- 4 = Temp. coefficient
- 5 = Voltage rating
- 6 = Value
- 7 = Tolerance

• Dimension



Chip capacitor

Code	L	W	T
Empty	5.6±0.5	5.0±0.5	Less than 2.0
A	4.5±0.5	3.2±0.4	Less than 2.0
B	4.5±0.5	2.0±0.3	Less than 2.0
C	4.5±0.5	1.25±0.2	Less than 1.25
D	3.2±0.4	2.5±0.3	Less than 1.5
E	3.2±0.2	1.6±0.2	Less than 1.25
F	2.0±0.3	1.25±0.2	Less than 1.25
G	1.6±0.2	0.8±0.2	Less than 1.0
H	1.0±0.05	0.5±0.05	0.5±0.05

Chip resistor

Code	L	W	T
E	3.2±0.2	1.6±0.2	1.0
F	2.0±0.3	1.25±0.2	1.0
G	1.6±0.2	0.8±0.2	0.5±0.1
H	1.0±0.05	0.5±0.05	0.35±0.05

RESISTORS

• Chip resistor (Carbon)

(EX) $\frac{RD}{1} \frac{73}{2} \frac{E}{3} \frac{B}{4} \frac{2B}{5} \frac{000}{6} \frac{J}{7}$

(Chip) (B, F)

• Carbon resistor (Normal type)

(EX) $\frac{RD}{1} \frac{14}{2} \frac{B}{3} \frac{B}{4} \frac{2C}{5} \frac{000}{6} \frac{J}{7}$

(Chip) (B, F)

- 1 = Type ... ceramic, electrolytic, etc.
- 2 = Shape ... round, square, etc.
- 3 = Dimension
- 4 = Temp. coefficient
- 5 = Voltage rating
- 6 = Value
- 7 = Tolerance

• Rating wattage

Code	Wattage	Code	Wattage	Code	Wattage
1J	1/16W	2C	1/6W	3A	1W
2A	1/10W	2E	1/4W	3D	2W
2B	1/8W	2H	1/2W		

SPECIFICATIONS

		KRC-294A/G/YA/YG/KRC-27YA/YG, KRC-194A/G/YA/YG/KRC-17G/YA/YG	KRC-2904YA/YG	KRC-266LA/LG/RG
FM	Frequency Range (MHz) (Frequency Step)	-	65MHz-74MHz (30kHz)	-
	Frequency Range (MHz) (Frequency Step)	87.5MHz-108.0MHz (50kHz)	87.5MHz-108.0MHz (50kHz)	87.5MHz-108.0MHz (50kHz)
	Usable Sensitivity (S/N 26dB) 65MHz-74MHz 87.5MHz-108.0MHz	- 0.7μV/75Ω	1.4μV/75Ω 0.7μV/75Ω	- 0.7μV/75Ω
	Quieting Sensitivity (S/N 46dB) 65MHz-74MHz 87.5MHz-108.0MHz	- 1.6μV/75Ω	1.4μV/75Ω 1.6μV/75Ω	- 1.6μV/75Ω
	Frequency Response (±3.0dB)	30Hz-15kHz	30Hz-15kHz	30Hz-15kHz
	SN (dB)	65dB (MONO)	65dB (MONO)	65dB (MONO)
	Selectivity (DIN)(dB)	≥80dB (±400kHz)	≥80dB (±400kHz)	≥80dB (±400kHz)
	Stereo Separation	35dB(1kHz)	35dB(1kHz)	35dB (1kHz)
MW	Frequency Range (kHz) (Frequency Step)	531kHz-1611kHz (9kHz)	531kHz-1611kHz (9kHz)	531kHz-1611kHz (9kHz)
	Usable Sensitivity (S/N 20dB)	25μV	25μV	25μV
LW	Frequency Range (kHz)	153kHz-281kHz	153kHz-281kHz	153kHz-281kHz
	Usable Sensitivity (S/N 20dB)	45μV	45μV	45μV
CASS	Tape Speed	4.76cm/sec.	4.76cm/sec.	4.76cm/sec.
	Wow/Flutter (wrms)(%)	0.12% (WRMS)	0.12% (WRMS)	0.12% (WRMS)
	Frequency Response (Hz)(±3.0dB)	30Hz-14kHz (120μs)	30Hz-14kHz (120μs)	30Hz-14kHz (120μs)
	Separation (dB)	40dB (1kHz)	40dB (1kHz)	40dB (1kHz)
	S/N (dB) Dolby NR OFF	52dB	52dB	52dB
Preout Level (mV)/Load		1800mV/10kΩ	-	1800mV/10kΩ
Preout Impedance (Ω)		≤600Ω	-	≤600Ω
AMP	PWR (MAX)	45wx4	45wx4	45wx4
	PWR DIN45324,+B=14.4V	28wx4	28wx4	22wx4
TONE	Bass	100Hz±10dB	100Hz±10dB	100Hz±10dB
	Treble	10kHz±10dB	10kHz±10dB	10kHz±10dB
GENE	Operating voltage(11~16v allowable)	14.4v	14.4v	14.4v
	Current Consumption	10A	10A	10A
	Installation Size (W)	182 (mm)	182 (mm)	182 (mm)
	(H)	53 (mm)	53 (mm)	53 (mm)
	(D)	158 (mm)	158 (mm)	158 (mm)
	Weight	1300g	1300g	1300g

KENWOOD follows a policy of continuous advancements in development. For this reason specifications may be changed without notice.

Manufactured under license from Dolby Laboratories.
"Dolby" and the double-D symbol are trademarks of Dolby Laboratories.

KENWOOD CORPORATION

2967-3, Ishikawa-machi, Hachioji-shi, Tokyo 192-8525, Japan

KENWOOD SERVICE CORPORATION
P.O. BOX 22745, 2201 East Dominguez Street, Long Beach, CA90801-5745, U.S.A.

KENWOOD ELECTRONICS CANADA INC.
6070 Kestrel Road, Mississauga, Ontario, Canada L5T 1S8

KENWOOD ELECTRONICS LATIN AMERICA S.A.
P.O. Box 55-2791 Paitilla, Plaza Credicorp Bank Panama,
Piso 9, Oficina 901, Calle 50, Panama, Rep. de Panama

KENWOOD ELECTRONICS BRASIL LTDA.
Alameda Ministro Rocha Azevedo No. 456,
Edifício Jaú, 10o Andar, Cerqueira César, Cep 0140-001,
São Paulo-SP-Brasil

KENWOOD ELECTRONICS UK LIMITED
Kenwood House, Dwight Road, Watford, Herts, WD18 9EB, United Kingdom

KENWOOD ELECTRONICS DEUTSCHLAND GMBH
Rembrücker-Str. 15, 63150 Heusenstamm, Germany

KENWOOD ELECTRONICS FRANCE S.A.
13, Boulevard Ney, 75018 Paris, France

KENWOOD ELECTRONICS BELGIUM N.V.
Leuvensesteenweg 248 J, 1800 Vilvoorde, Belgium

KENWOOD ELECTRONICS ITALIA S.p.A.
Via G. Sirtori 7/9, 20129 Milano, Italy

KENWOOD IBÉRICA S.A.
Bolivia, 239-08020 Barcelona, Spain

KENWOOD ELECTRONICS AUSTRALIA PTY. LTD. (A.C.N. 001 499 074)
16 Giffnock Avenue, Centrecourt Estate, North Ryde,
N.S.W. 2113, Australia

KENWOOD ELECTRONICS (HONG KONG) LTD.
Unit 3712-3724, Level 37, Tower 1, Metroplaza, 223 Hing Fong Road, Kwai Fong, N.T.,
Hong Kong

KENWOOD ELECTRONICS GULF FZE
P.O. Box 61318, Jebel Ali, Dubai, U.A.E.

KENWOOD ELECTRONICS (THAILAND) CO., LTD.
2019 New Pechburi Road, Bangkapi, Huaykwang, Bangkok, 10320 Thailand

KENWOOD ELECTRONICS SINGAPORE PTE. LTD.
1 Genting Lane, #07-00, Kenwood Building, Singapore, 349544

KENWOOD ELECTRONICS (MALAYSIA) SDN BHD
#4.01 Level 4, Wisma Academy Lot 4A, Jalan 19/1, 46300 Petaling Jaya, Selangor Darul Ehsan,
Malaysia