

KDC-2023

KDC-2024SA/SG/SYA/SYG

KDC-2094YA/YG

KDC-222/S

KDC-3023

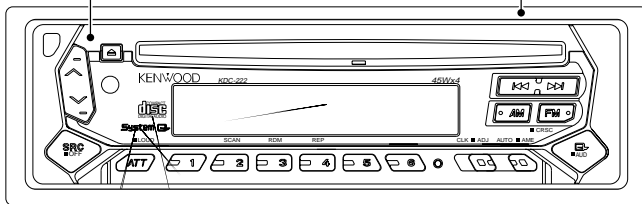
SERVICE MANUAL

CD mechanism operation description is not in this service manual.
Please, refer to service manual X92-4030-0x (B51-7867-00).

CD mechanism extension cord : WO5-0618-00

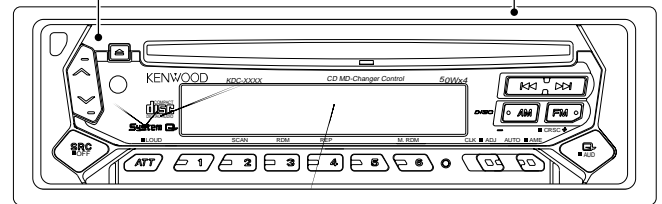
Panel assy
(A64-2867-02): KDC-222
(A64-2868-02): KDC-222S

Escutcheon
(B07-3060-02): KDC-222
(B07-3022-02): KDC-222S



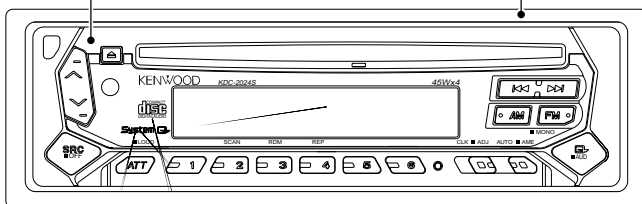
Panel assy
(A64-2870-02): KDC-2023
(A64-2873-02): KDC-3023

Escutcheon
(B07-3001-02): KDC-2023
(B07-3022-02): KDC-3023



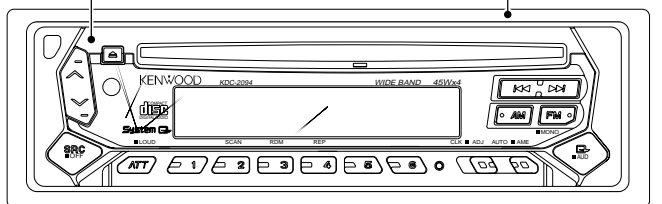
Panel assy
(A64-2878-02): KDC-2024SA/SG/SYA/SYG

Escutcheon
(B07-3001-02): KDC-2024SA/SG/SYA/SYG

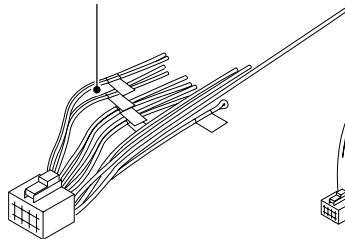


Panel assy
(A64-2884-02): KDC-2094YA/YG

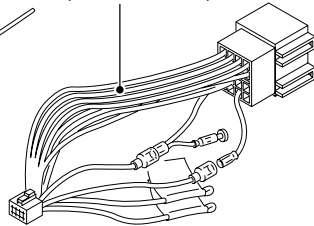
Escutcheon
(B07-3001-02): KDC-2094YA/YG



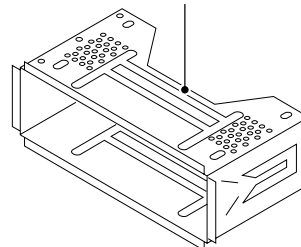
DC cord
(E30-4784-05)※



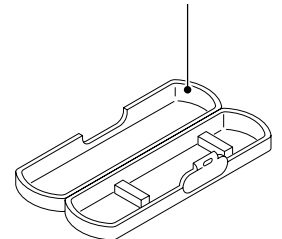
DC cord(ISO)
(E30-4790-05)※



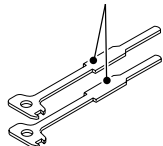
Mounting hardware assy
(J21-9716-03)



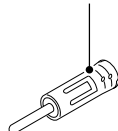
Plastic cabinet assy
(A02-1486-13)



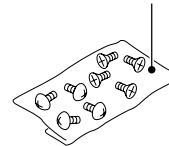
Lever
(D10-4589-04)x2



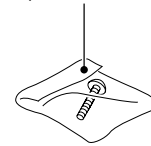
Antenna adaptor
(T90-0523-05)※



Screw set
(N99-1719-05)



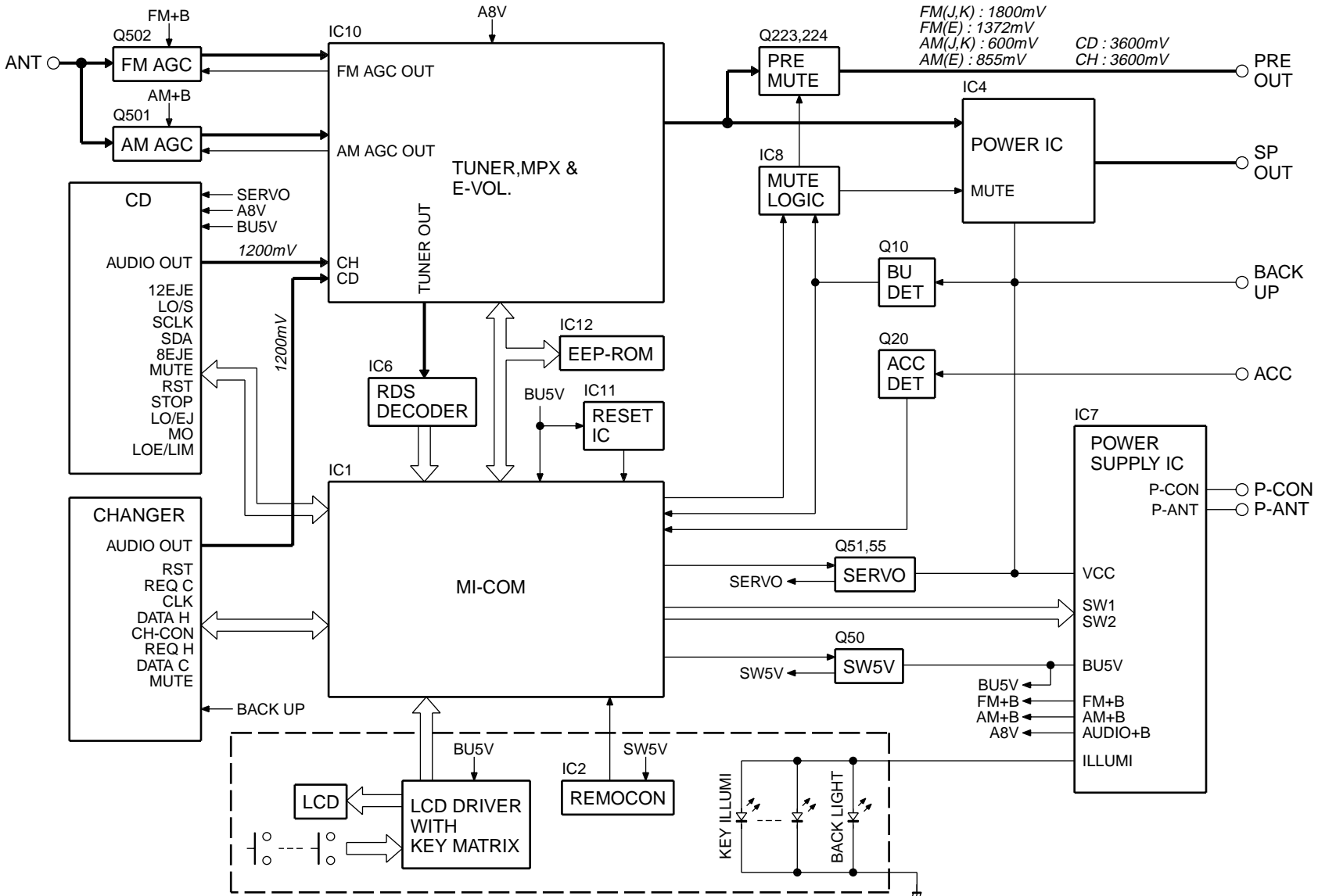
Screw set
(N99-1610-15)



※ Depends on model. Refer to the parts list



BLOCK DIAGRAM



COMPONENTS DESCRIPTION

● SWITCH UNIT (X16-1460-xx/2370-12)

Ref.No.	Application/Functions	Operation/Condition/Compatibility
IC1	LCD driver & key matrix	
IC2	Remote Sencer	
Q1	Key scan start	When Q1 base goes Lo, key scan start.

● ELECTRIC UNIT (X25-9600-xx/9612-7x)

Ref.No.	Application/Functions	Operation/Condition/Compatibility
IC1	System control μ -com	System μ -com
IC4	Power amplifire	E-Vol output encoder power amplification for speaker.
IC7	Power supply (Multi AVR)	-
IC8	MUTE Logic	When a pin 1, 2, or 13 is "H", MUTE turns on When a pin 3, 4, or 5 is "H", P-AMP mute turns ON. Changer is RESET when a pin 9, 10, or 11 is "L".
IC10	Tuner & E-Vol.	FM/AM tuner & stereo decoder & E-Vol.
IC11	Power on reset	When B.U. 5V voltage is less than 3.5V, power reset.
IC12	E2P-ROM	Writing and read-out of adjustment data for a tuner
Q10	B.U. detector	BU on (base "H") : Collector "H"
Q20	A.C.C detector	ACC ON (base : "H") : Collector "L"
Q40	MUTE driver	Base "L" : Mute on (collector "L")
Q50	SW 5V	Base "L" : SW5V on
Q51	SERBO AVR control	Pin 2 "H" : Serbo on (pin 4 "H")
Q55	SERBO AVR	Base "H" : Serbo on
Q70	Surge detector	Base "H" : Surge detect
Q101	DSI driver	Base "H" : DSI on
Q102	PANEL 5V SW	Panel atch : PAN5V on
Q223,224	MUTE	Base "H" : Mute on
Q501	AM RF amplifire	Base "H" : Gain UP
Q502	FM RF amplifire	Gate "H" :Gain UP

MICROCOMPUTER'S TERMINAL DESCRIPTION

● SYSTEM MICROCOMPUTER uPD780058GCxxx (X25 : IC1)

Pin No.	Name	I/O	Description	Processing Operation
1	TDF DET	I	Panel detection	H:Panel detached L:Panel attached
2	8EJE SW	I		H:Eject is completed Except 8cm CD model:always output L
3	NC	O	Not used (out put L)	
4	Avss			
5	L-RST	O	LCD driver RESET	H:Panel detached L:RESET Δ3 normal H , Power off L When 7seg model,output L
6	L-CE	O	LCD driver selection	H>Select (panel communication) When panel attached,output L
7	AVREF1			
8	NC		Not used (connected to 9pin)	
9	IC10-DATA	I/O	IC10,E2PROM data communication	Δ3 non communication : H
10	IC10-CLK	O	IC10,E2PROM clock communication	Δ3 non communication : H
11	L-DATAL	I	Data input from the LCD driver	Non communication : H When panel detached : L Δ3 Pull down on X25 unit,Pull up on X16 unit
12	L-DATAS	O	Data output to the LCD driver	When panel detached , output L
13	L-CLK	O	Clock output to the LCD driver	When panel detached , output L
14	R-DATA	I	Data input from the RDS	Except RDS model : output L
15	R-QUAL	I	Quality input from the RDS	Except RDS model : output L
16	CH-DATAC	I	Data input from the changer (new 5L)	Except changer model : output L
17	CH-DATAH	O	Data output to the changer (new 5L)	When non communication ,last data keeping Except changer model : output L
18	CH-CLK	I/O	Clock input/output with the Changer (new 5L)	Check the old and new Except changer model : output L
19	CH-REQH	O	Request output to the changer (new 5L)	L:Requeset Except changer model : output L
20	NC	O	Not used (output L)	
21	AFS	O	Noise detection time constant switching terminal	H:Normal L:FM/AM seek and AF search Δ3 (When tuner SRC auto zero , L)
22-24	NC	O	Not used (output L)	
25	CH-CONT	O	Changer control	H:Changer on L:Changer off Except changer model : output L
26	TYPE REF	O	5V lines output for destination setting	H:During destination reading
27	SD	I	Tuner SD input	H:Station detected
28	NC	O	Not used (output L)	
29	TYPE2	I	Destination type selection terminal 2	Refer to destination type list.
30	TYPE1	I	Destination type selection terminal 1	Refer to destination type list.
31	TYPE0	I	Destination type selection terminal 0	Refer to destination type list.
32	TUNER-TYPE1	I	Destination available/genuine model rool off	H:genuine model 1 L:available model
33	Vss1			
34	TUNER-TYPE0	I	Destination available/genuine model noise cancel	H:genuine model 0 L:available model
35	MUTE	O	Mute (E.Vol,Preset) control	H:mute on L:mute off Power off after that 15 second L
36	M-DATA	I/O	Data input/output with the CD mechanism	Δ3 non communication : H
37	M-CLK	O	Clock output to the CD mechanism	Δ3 non communication : H
38	ADJ	O	Tuner lines adjustment	When adjustment = H PS1-0,1=L PS1-2,2-0,1=Hi-z IC10-DATA,CLK=Hi-z
39	P-MUTE	O	Power IC mute control	H:mute off L:mute on Power off after that 15 second H
40	SVR	O	Power IC servo control	H:When momentary power down detected L:Nomal
41	P-STBY	O	Power IC standby control	H:Power IC ON L:Power IC OFF
42	SW5V	O	SW 5V control	H:SW5V OFF L:SW5V ON Power off after that 10 second H

MICROCOMPUTER'S TERMINAL DESCRIPTION

Pin No.	Name	I/O	Description	Processing Operation																																				
43	B.U-DET	I	Back up detection terminal	H:power down L:B.U. on																																				
44	ACC-DET	I	ACC detection terminal	H:ACC OFF L:ACC ON																																				
45	PS1-0	O	Power supply IC SW1 control 0 Audio 8V,P-CON	<table border="1"> <thead> <tr> <th colspan="3">BA4911 SW1</th> <th colspan="3">Power supply IC output</th> </tr> <tr> <th>PS1-2</th> <th>PS1-1</th> <th>PS1-0</th> <th>A8V</th> <th>P-CON</th> <th>P-ANT</th> </tr> </thead> <tbody> <tr> <td>L</td> <td>L</td> <td>L</td> <td colspan="3">STANBY</td> </tr> <tr> <td>L</td> <td>L(H)</td> <td>H(L)</td> <td>ON</td> <td>OFF</td> <td>OFF</td> </tr> <tr> <td>L</td> <td>H</td> <td>H</td> <td>ON</td> <td>ON</td> <td>OFF</td> </tr> <tr> <td>H</td> <td>H</td> <td>H</td> <td>ON</td> <td>ON</td> <td>ON</td> </tr> </tbody> </table>	BA4911 SW1			Power supply IC output			PS1-2	PS1-1	PS1-0	A8V	P-CON	P-ANT	L	L	L	STANBY			L	L(H)	H(L)	ON	OFF	OFF	L	H	H	ON	ON	OFF	H	H	H	ON	ON	ON
BA4911 SW1			Power supply IC output																																					
PS1-2	PS1-1	PS1-0	A8V	P-CON	P-ANT																																			
L	L	L	STANBY																																					
L	L(H)	H(L)	ON	OFF	OFF																																			
L	H	H	ON	ON	OFF																																			
H	H	H	ON	ON	ON																																			
46	PS1-1	O	Power supply IC SW1 control 1 Audio 8V,P-CON																																					
47	PS1-2	O	Power supply IC SW1 control 2 P-ANT																																					
48	PS2-0	O	Power supply IC SW2 control 0 ILL,FM,AM	<table border="1"> <thead> <tr> <th colspan="2">BA4911 SW2</th> <th colspan="3">Power supply IC output</th> </tr> <tr> <th>PS2-1</th> <th>PS2-0</th> <th>ILLUMI</th> <th>FM</th> <th>AM</th> </tr> </thead> <tbody> <tr> <td>L</td> <td>L</td> <td colspan="3">STANBY</td> </tr> <tr> <td>L(H)</td> <td>H(L)</td> <td>ON</td> <td>ON</td> <td>OFF</td> </tr> <tr> <td>H</td> <td>H</td> <td>ON</td> <td>OFF</td> <td>ON</td> </tr> </tbody> </table>	BA4911 SW2		Power supply IC output			PS2-1	PS2-0	ILLUMI	FM	AM	L	L	STANBY			L(H)	H(L)	ON	ON	OFF	H	H	ON	OFF	ON											
BA4911 SW2		Power supply IC output																																						
PS2-1	PS2-0	ILLUMI	FM	AM																																				
L	L	STANBY																																						
L(H)	H(L)	ON	ON	OFF																																				
H	H	ON	OFF	ON																																				
49	PS2-1	O	Power supply IC SW2 control 1 ILL,FM,AM																																					
50	BEEP		BEEP																																					
51	DSI	O	DSI control	H:Light on L:Light off When panel attached,output L When panel detached,flashing at the panel (H/L) FIX model is output L																																				
52	NC	O	Not used (out put L)																																					
53	NC	O	Not used (out put L)																																					
54	LOE/LIM SW	I	CD mechanism down&limit detection	H:Chucking detection L:Normal																																				
55	MO SW	O	CD mechanism loading motor control output	H:Loading,Eject,Break L:Play																																				
56	LO/EJ	I/O	CD mechanism loading/Eject switching terminal	H:Eject L:Loading																																				
57	M-STOP	O	Stop output to the CD mechanism	H:Play L:Stop																																				
58	M-RST	O	Reset output to the CD mechanism	H:Normal L:CD mechanism reset																																				
59	M-MUTE	I	Mute input from the CD mechanism	H:mute off L:mute on																																				
60	RESET		Reset input from the System microcomputer																																					
61	REMO	I	Remote control input																																					
62	R-CLK	I	RDS clock input	Except RDS model : output L																																				
63	CH-REQC	I	Request input from the changer (new 5L)	H:Changer detection L:Request Except Changer model : output L																																				
64	LOS SW	I	CD mechanism loading's switch detected	H:No disc L:DISK IN(Loading Start)																																				
65	KEY-REQ	I	Key input detected (11pin L connected to the DATA L)	H:Key no input L:Key input (edge key data reading start)																																				
66	12EJE SW	I	12cm disc detected	L:12cm disc																																				
67	Vss0																																							
68	VDD1																																							
69	X2		Δ 3 MAIN X'tal oscillating circuit	Δ 3 4.19MHz X'tal connection																																				
70	X1		Δ 3 MAIN X'tal oscillating circuit	Δ 3 4.19MHz X'tal connection																																				
71	IC		TEST																																					
72	XT2		Not used	OPEN																																				
73	XT1																																							
74	VDD0		VDD	Connected to VDD																																				
75	AVREF0		A/D converter reference voltage control output, connection to the 80pin AVCONT																																					
76	S-METER	I	S-meter input																																					
77	NOISE	I	FM noise detection input	Δ 3																																				
78	PHONE	I	2way mute	2.5V or greater:NAVI MUTE 1.0V or less:TEL MUTE Except phone mute model : output L																																				
79	NC	O	Not used (out put L)																																					
80	AVCONT	O	A/D converter standard voltage control output	H:During A/D converter active same timing with PON																																				

MICROCOMPUTER'S TERMINAL DESCRIPTION

● MECHANISM MICROCOMPUTER MN6627771KP (X32 : IC2)

Pin No.	Name	I/O	Description	Processing Operation
1	TVD	O	Traverse driver output (PWM output)	
2	SPL	O	Spindle motor drive output (PWM output)	
3	PC	O	Spindle motor ON output	L:ON H:OFF (default)
4	PWM	O	multi-purpose PWM output	It's possible to setup the TOSF2
5	TBAL	O	Tracking balance adjust output (PWM output)	
6	FBAL	O	Focus balance adjust output (PWM output)	
7	NRFDET	I	RF detection signal input	L:detected
8	OFT	I	Off-track signal input	H:detected
9	BDO	I	Drop out signal input	H:detected
10	LDON	O	Laser on signal output H:ON	When command FO on,LDON is H
11	DSL	O	DSL balance output	
12	DVDD1	-	Power supply for digital circuit	
13	DVSS1	-	Ground lines for digital circuit	
14	AVSS2	-	Ground lines for analog circuit	For DSL,PLL and AD
15	DSL	I/O	Loop filter terminal for DSL	The bias of ARF output terminal in one
16	ARF	I	RF signal input	
17	RFSW	I	When DSL circuit,constant switch terminal	
18	PLL	I/O	Loop filter terminal for PLL	
19	PLL2	I/O	Loop filter characteristic switching terminal for PLL	
20	IREF	I	Standard voltage input terminal	
21	RFENV	I	RF envelope signal input	Analog input
22	TRCRS	I	Track cross signal input	Analog input
23	TE	I	Tracking error signal input	Analog input
24	FE	I	Focusing error signal input	Analog input
25	AVDD2	-	Power supply for analog circuit	For DSL,PLL and AD
26	AVSS1	-	Ground lines for analog circuit	For audio output (Lch and Rch in one)
27	OUTR	O	Rch audio output	
28	AVDD1	-	Power supply for analog circuit	For audio output (Lch and Rch in one)
29	OUTL	O	Lch audio output	
30	DVSS3	-	Ground lines for digital circuit	
31	CSEL	I	Oscillation frequency specification terminal	H:33.8488MHz L:16.9344MHz
32	NC	O	Not used	
33	ASEL	I	Audio output polarity switching terminal	L:Reverse H:Non reverse
34	MSEL0	I	Destination type selection port (set 2bit)	Order "MSEL 0" and "MSEL 1" Set up
35	MSEL1	I	Destination type selection port (set 2bit)	Order "MSEL 0" and "MSEL 1" Set up
36	ICRST	O	Reset control terminal for external DAC	
37	BCLK	O	Bit clock output for serial data	
38	LRCK	O	L/R identification signal output	
39	SRDATA	O	Serial data output	
40	VREFP	I	A/D converter standard power supply input	
41	HOT	I	Temperature protection detection terminal (AD input)	Over C5(h):on
42	8EJE_SW	I	8cm disc eject stop detection terminal	H:Stop
43	12EJE/SDET_SW	I	Judge the 8cm or 12cm disc	12cm disc stop detection terminal
44	LOE/LIM_SW	I	Pick-up inside detected	Loading end detection terminal
45	PCK	O	PLL extracted clock output,etc	
46	EFM	O	EFM signal output,etc	
47	SENSE	O	Optics servo status signal output,etc	
48	CLVS	O	Spindle servo phase synchronous signal output,etc	L:Normal operation H:Luff servo
49	DEMPH	O	Dephase detection signal output,etc	H:on
50	DVDD2	-	Power supply for digital circuit	
51	X1	I	Main clock input terminal	

MICROCOMPUTER'S TERMINAL DESCRIPTION

Pin No.	Name	I/O	Description	Processing Operation
52	X2	O	Main clock output terminal	
53	DVSS2	-	Ground lines for digital circuit	
54	XSUB1	I	When external DAC,external clock input terminal	
55	XSUB2	O		
56	TEST1	I	Test port 1	Normal operation is H fixed
57	TEST2	I	Test port 2	Normal operation is H fixed
58	NC	O	Not used	
59	VER/HOR	O	Put length or breadth switching motor terminal	H:Put length L:Put breadth
60	DRV_MUTE	O	Driver mute control terminal	L:MUTE ON H:MUTE OFF
61	/MUTE_L	O	Audio Lch MUTE output	L:MUTE
62	/MUTE_R	O	Audio Rch MUTE output	L:MUTE
63	/RST	I	LSI reset input terminal	H:Normal L:Reset
64	OCD_CLK	I	When OCD connected, clock input	
65	/MSTOP	I	Standby detection terminal	H:Normal L:Mecha stop
66	DATA	I/O	I2C bus data line (communication line with system computer)	At that time serial writer connected
67	SBIO	I	When connected to serial writer,data input terminal	
68	/CLK	I/O	I2C bus clock line (communication line with system computer)	At that time serial writer connected
69	TX	O	Digital audio interface signal output	
70	EQCNT	O	RF EQ switching terminal	L:x2 times H:x1 times
71	XSEL	I	During the external DAC connection	MCLK external input (H:input)
72	MCNT	I	CD mecha Loading/Eject control ON/OFF	L:OFF (HOST control) H:mechanism control
73	P-ON	O	Audio and servo origin power control terminal	L:power on H:power off
74	MOTOR	O	Loading/Eject control switching terminal	At that time LO/EJ is "H"
75	LO/EJ	O	Loading/Eject control terminal or output L	When 72pin (P82) is "L",output "L"
76	CD-RW	O	CD-RW control terminal	H:CD-RW L:normal
77	LDCNT	O	LD control terminal	Operation is same LDON as timing
78	DVDD3	-	Power supply for digital circuit	
79	FOD	O	Focus driver output (PWM output)	
80	TRD	O	Tracking driver output (PWM output)	

System mi-com Destination type list

	TYPE2	TYPE1	TYPE0	MODEL NAME
uPD780058GC499	L	L	L	KDC-2024SA/SYA, 2024SG/SYG
	L	L	H	KDC-2022, 2022V,202MR
	L	H	L	RY-391CD, RX-491CD
	L	H	H	KDC-4023, 2023, 3023
uPD780058GC501	L	L	H	KDC-122, 122S
	L	H	H	KDC-1023, 1023S
	H	L	H	KDC-222, 222S
uPD780058GC502	L	L	L	KDC-3024G/YG, 307G/YG
	L	H	H	KDC-3023R
	H	L	L	KDC-3024A/YA, 307A/YA
	H	L	H	KDC-4024/Y/V/YV
uPD780058GC503	L	L	L	KDC-2094YA/YG
H:	R135	R137	R139	
L:	R136	R138	R140	

ADJUSTMENT

1. IC10 (TDA7513) -The Tuner adjustment method

- When IC10 and its circumference are fixed, according to the following order, it readjusts if needed.
- The adjustment item changes with parts to exchange. Please refer to "Parts vs Adjustment item table".

1-1. VCO Coil Adjustment -- Adjustment of Tuning Voltage

Voltage Check Point : Vt-Check Land
(PWB Side_B, around D506)

Adjustment Coil : L507 (VCO Coil)

The adjustment method : VCO coil is turned and adjusted according to the following tables.

TYPE	Mode	freq.	Voltage	Fig
E/M	AM	1611kHz	$5.5 \pm 0.1(V)$	(C)
K	AM	1700kHz	$5.8 \pm 0.1(V)$	(C)
J	FM	90.0MHz	$5.6 \pm 0.1(V)$	(C)
W(Wide Band)	FM	108.0MHz	$7.2 \pm 0.1(V)$	(C)

M : AM Adjustment

For Your Information : The frequency of SET is only set up by Pre-Set-Key in case this adjustment

1-2. Adjustment of 1st & 2nd-MIX Coil

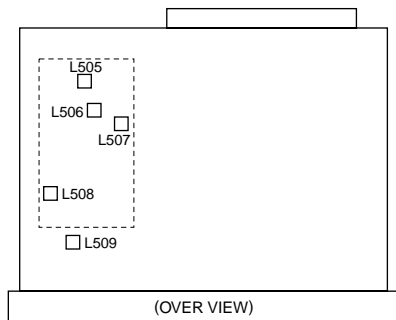
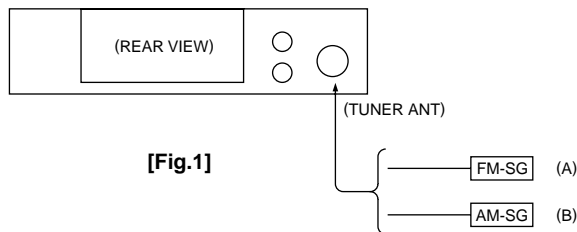
Voltage Check Point : S_METER-Check Land
(PWB Side_B, around W572)

Adjustment Coil : 1stIFT = L508 / 2ndIFT = L509

Setting of Signal Generator : Refer to the following tables

TYPE	MODE	freq.	Mod.	ANT Input	Fig
K	AM	1000kHz	OFF	35dBuEMF	(B),(C)
E,M,J,W	AM	999kHz	OFF	35dBuEMF	(B),(C)

- ①The appearance and the coil with which S-METER DC voltage serves as the maximum are turned and adjusted in the above-mentioned SG input.
- ②By the above-mentioned adjustment method, same adjustment is performed to both sides (1st&2nd MIX Coil).



[Fig.2]

1-3. Adjustment of FM_ANT&RF Coil

Voltage Check Point : S_METER-Check Land (PWB Side_B, around W572)

Adjustment Coil : ANT_Coil = L505
RF_Coil = L506

Setting of Signal Generator : Refer to the following tables.

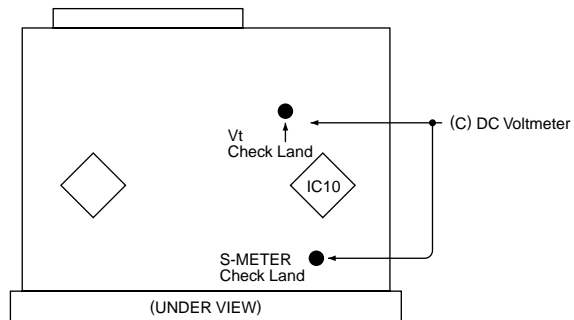
TYPE	MODE	freq.	Mod.	ANT Input	Fig
E/M	FM	87.5MHz	OFF	5 or 11dBuEMF	(A),(C)
K	FM	87.9MHz	OFF	5 or 11dBuEMF	(A),(C)
J	FM	76.0MHz	OFF	5 or 11dBuEMF	(A),(C)
W(Wide Band)	FM	65.0MHz	OFF	5 or 11dBuEMF	(A),(C)

- ①The appearance and the coil with which S-METER DC voltage serves as the maximum are turned and adjusted in the above-mentioned SG input.
- ②By the above-mentioned adjustment method, same adjustment is performed to both sides (ANT&RF Coil).

1-4. Adjustment of STEREO (adjustment of 456k-VCO)

Adjust in TEST_MODE

- How to enter the test mode
While pressing on [FM] and [PRESET 6] keys, reset the unit.
- Adjustment method
Complete on condition that show "ALL OFF" when pressing on [PRESET 1] and [PRESET 6] keys.
(Writing adjustment value to the EEPROM.)
Effect of adjustment is in cofirmation of adjustment status at [PRESET 4] key.
- Display of [PRESET 4]
Adjustment "OK" : 14seg model "E2P OK" 7seg model "EPO"
Adjustment "NG" : 14seg model "E2P ERR" 7seg model "EPE"
- Releasing the test mode
Reset mode only.
ACC off, Power off, Power down and Remove the panel mode is not releasing.



[Fig.3]

ADJUSTMENT

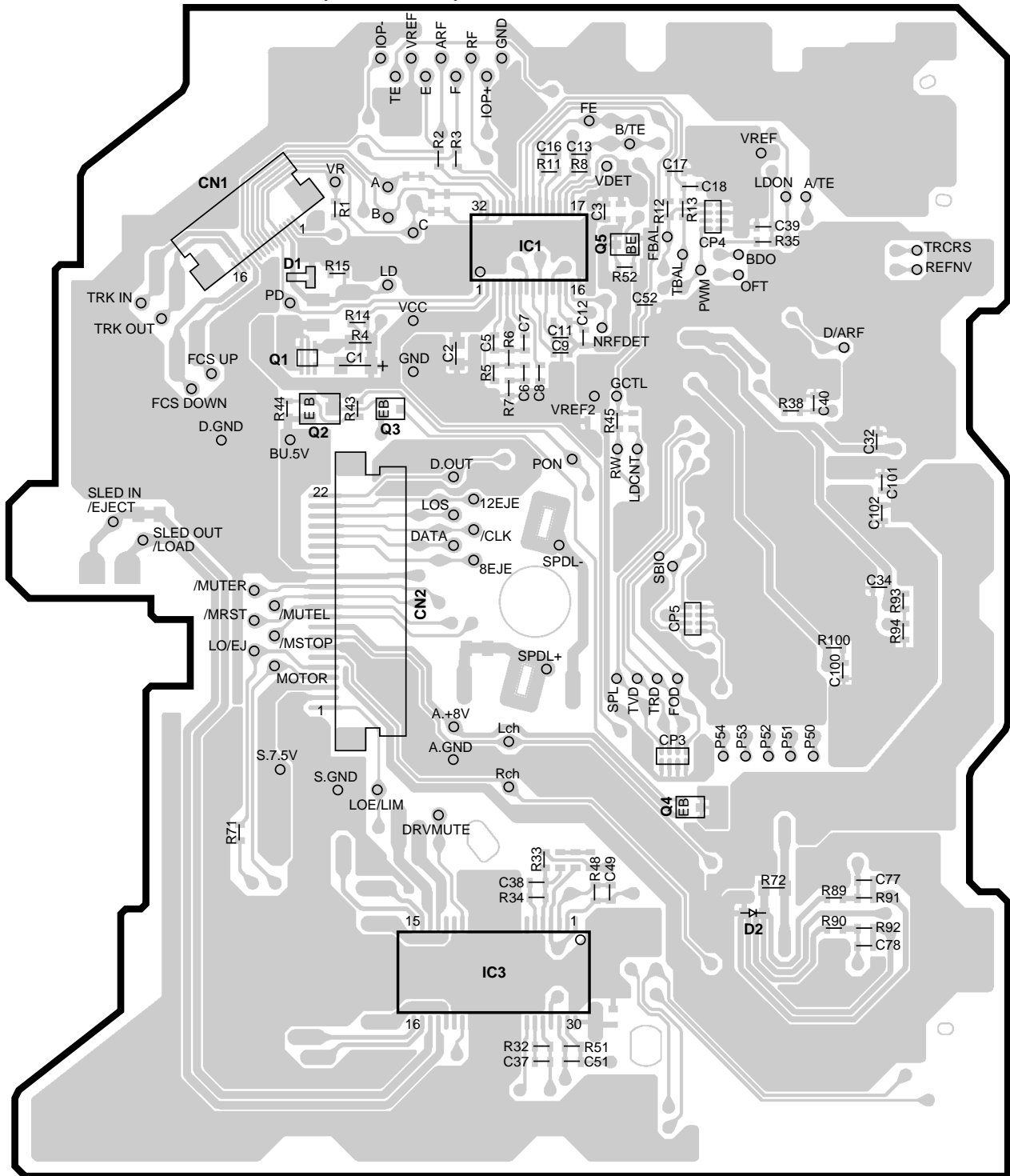
2.IC10 (TDA7513) Replacement-Parts vs Adjustment Item Table

- When the parts in the following tables are exchanged, please readjust according to a table.
- When other parts are exchanged, please perform only a check of operation. There is no necessity for readjustment.

Replacement parts				Adjustment Item					
Parts Name	Ref Number	TYPE	Parts Number	VCOVt	1st MIX	2nd MIX	ANT Coil	RF Coil	Stereo
	IC10	ALL	TDA7513	○	○	○	○	○	○
EEP-ROM	IC12	ALL	M24C01-WMN6T BR24C01AF-W S-24CS02AFJ-TB	○	○	○	○	○	○
Antenna Coil	L505	J E,K,M W(Wide Band)	L31-0966-05 L31-0967-05 L31-0968-05				○		
RF Coil	L506	J E,K,M W(Wide Band)	L31-0969-05 L31-0970-05 L31-0971-05					○	
VCO Coil	L507	J E,K,M W(Wide Band)	L32-0932-05 L32-0933-05 L32-0934-05	○	○	○	○	○	
1st MIX Coil	L508	ALL	L30-0770-05		○				
2nd MIX Coil	L509	ALL	L30-0771-05			○			
Variable Capacitance Diodes	D504	J,E,K,M W(Wide Band)	KV1720S KV1735S	○	○	○	○	○	
Variable Capacitance Diodes	D505	J,E,K,M W(Wide Band)	KV1720S KV1735S	○	○	○	○	○	
Variable Capacitance Diodes	D506	J,E,K,M W(Wide Band)	KV1720S KV1735S	○	○	○	○	○	
X'tal	X501	ALL	L77-2077-05						
				* The "○" mark shows that the adjustment is need.					

PC BOARD (FOIL SIDE VIEW)

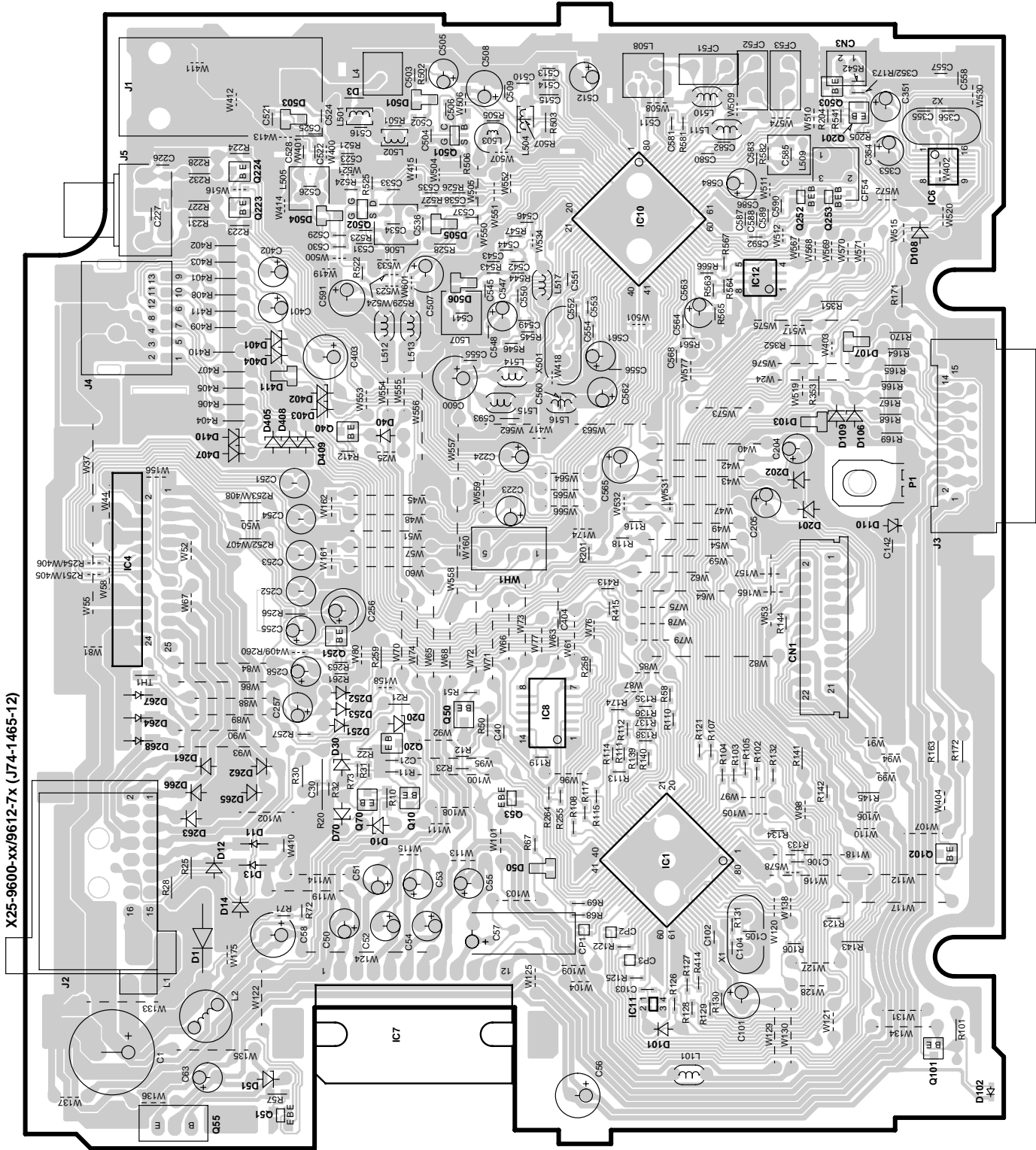
X32-5380-00 (J74-1485-12)



X32-5380-00

Ref. No	address	Ref. No	address	Ref. No	address
IC1	2H	Q2	3G	Q5	2H
IC3	5H	Q3	3G		
Q1	3G	Q4	5I		

PC BOARD (FOIL SIDE VIEW)



X25-9600-xx/9612-7x

Ref. No	address	Ref. No	address	Ref. No	address	Ref. No	address
IC1	5N	IC12	3N	Q53	5M	Q224	2L
IC4	4K	Q10	5M	Q55	6L	Q251	4L
IC7	6M	Q20	5M	Q70	5L	Q501	2M
IC8	4M	Q40	3L	Q101	6O	Q502	2L
IC10	2N	Q50	4M	Q102	5O		
IC11	6N	Q51	6L	Q223	2L		

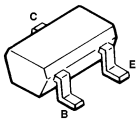
Refer to the schematic diagram for the values of resistors and capacitors.

CD PLAYER UNIT (X32-5380-00)

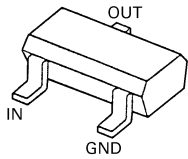
DTC114YUA
DTC143TUA
UN5111
2SA1036K
2SA1362
2SA1576A



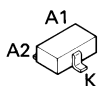
2SC4081



DTA114EUA
DTA124EUA
DTC124EU



DAN202U



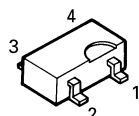
DA204U
DTA114YUA



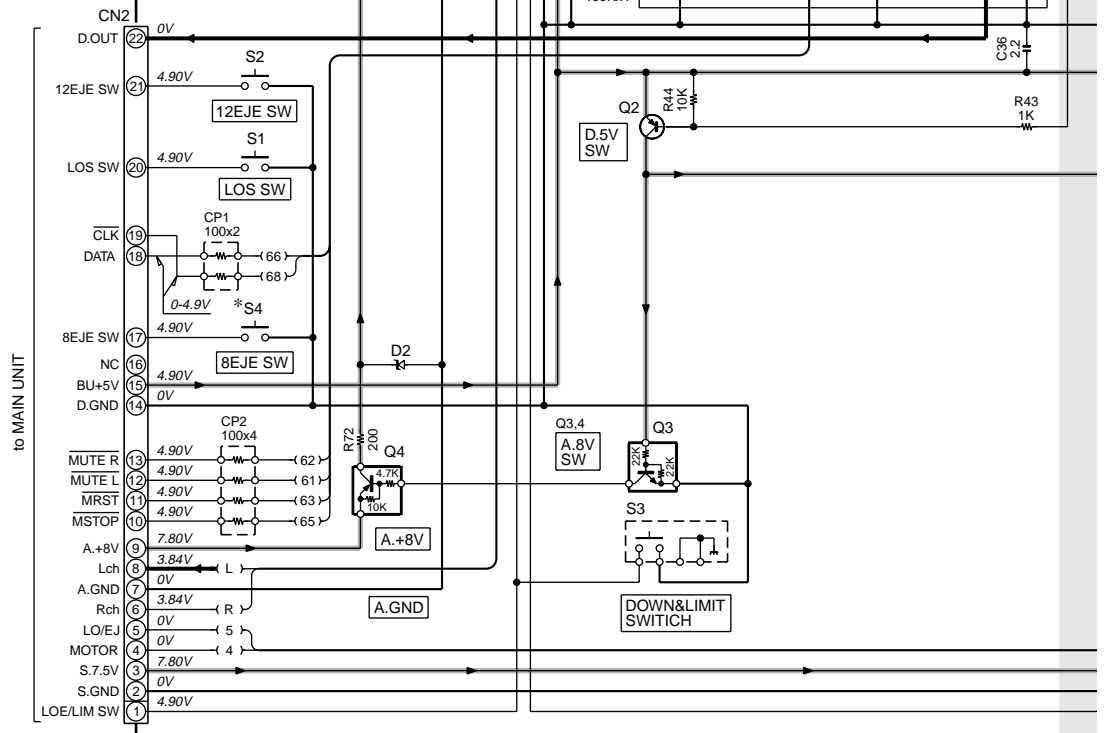
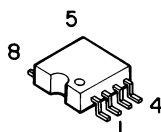
MA142WK
UN5212



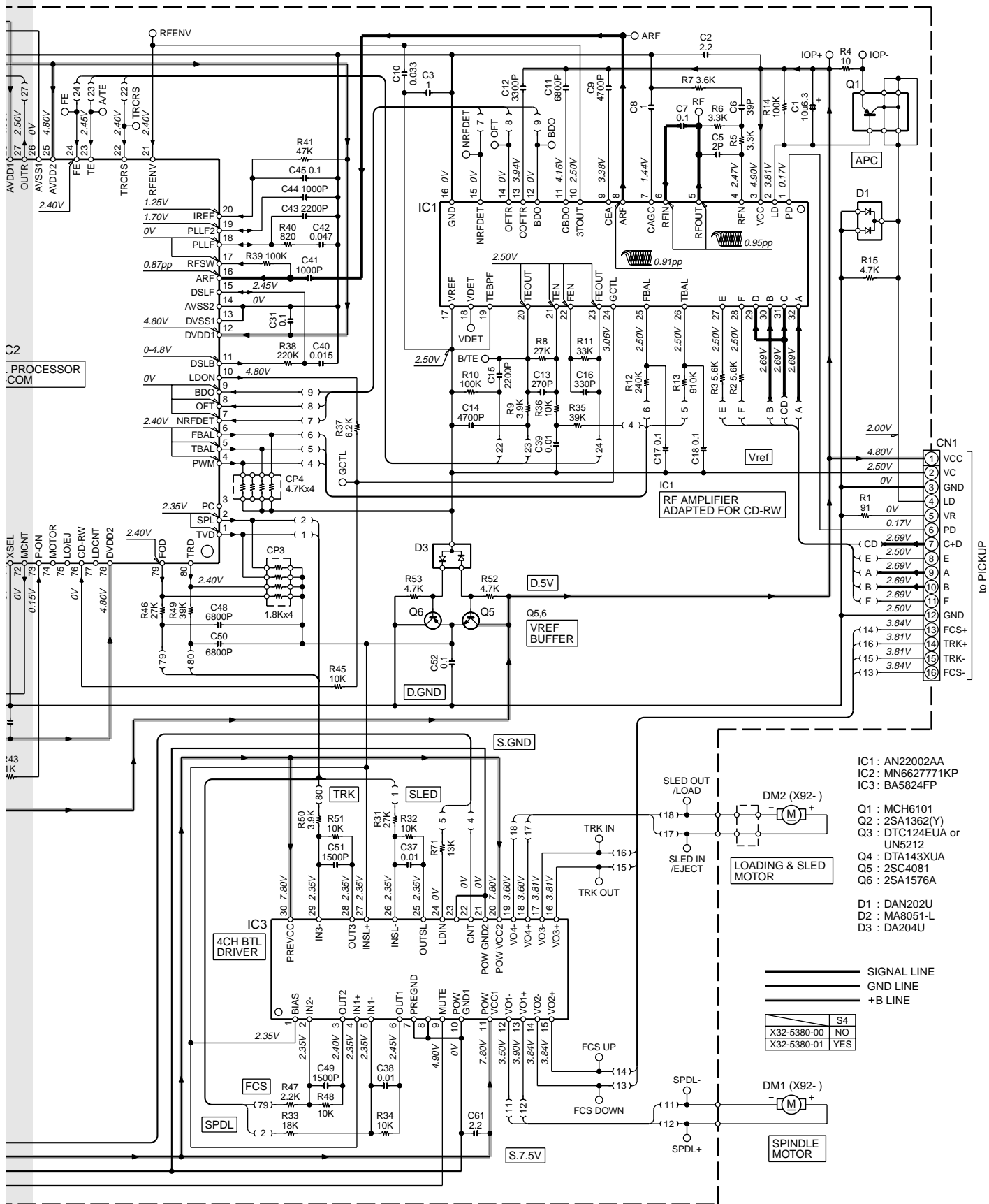
3SK126



BR24C01AF-W



1
2
3
4
5
6
7



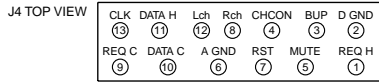
- IC1 : AN22002AA
 IC2 : MN6627771K
 IC3 : BA5824FP
- Q1 : MCH6101
 Q2 : 2SA1362(Y)
 Q3 : DTC124EUA or UN5212
 Q4 : DTA143XUA
 Q5 : 2SC4081
 Q6 : 2SA1576A
- D1 : DAN202U
 D2 : MA8051-L
 D3 : DA204U

— SIGNAL LINE
 - - - GND LINE
 = +B LINE

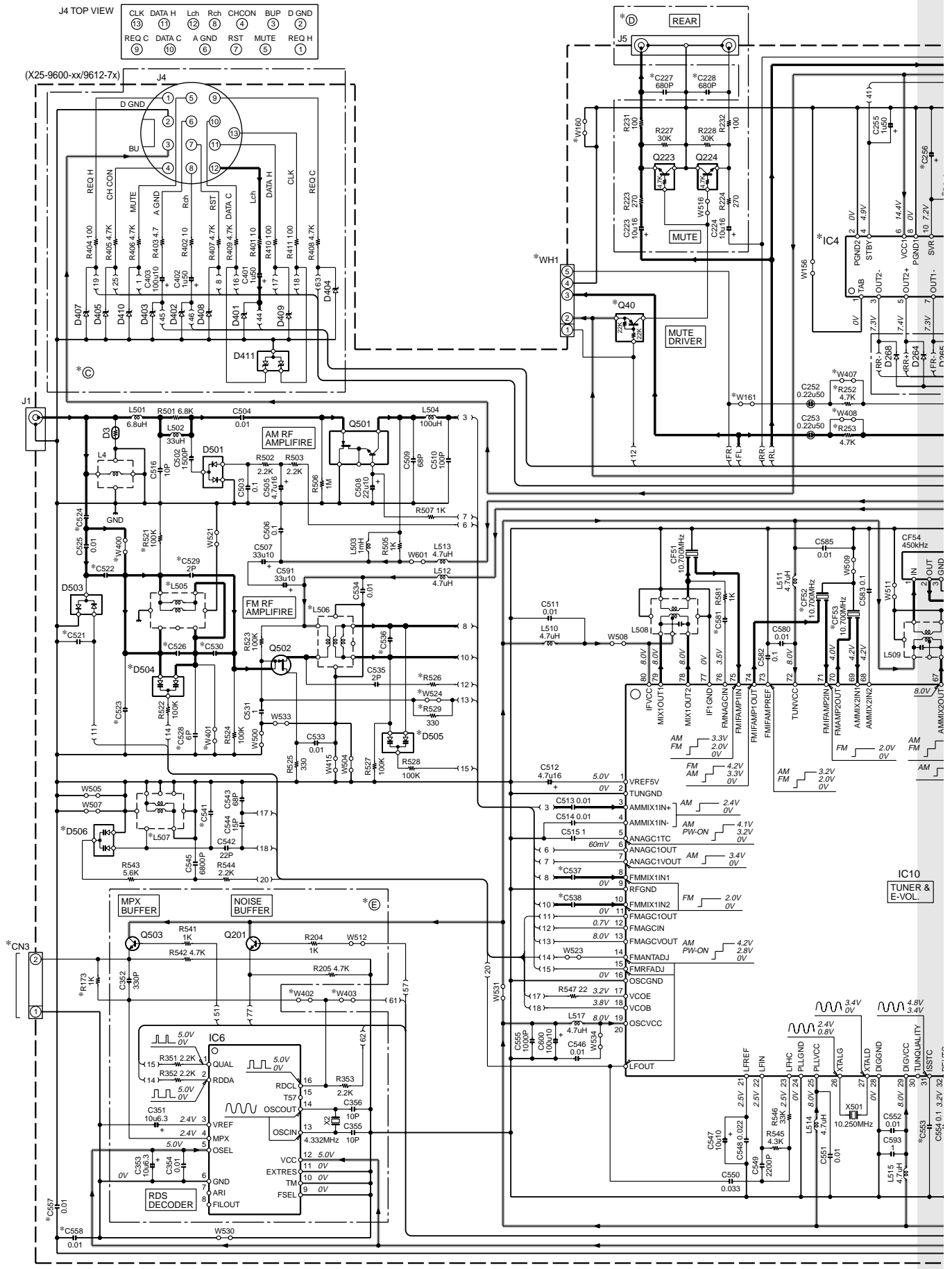
	S4
X32-5380-00	NO
X32-5380-01	YES

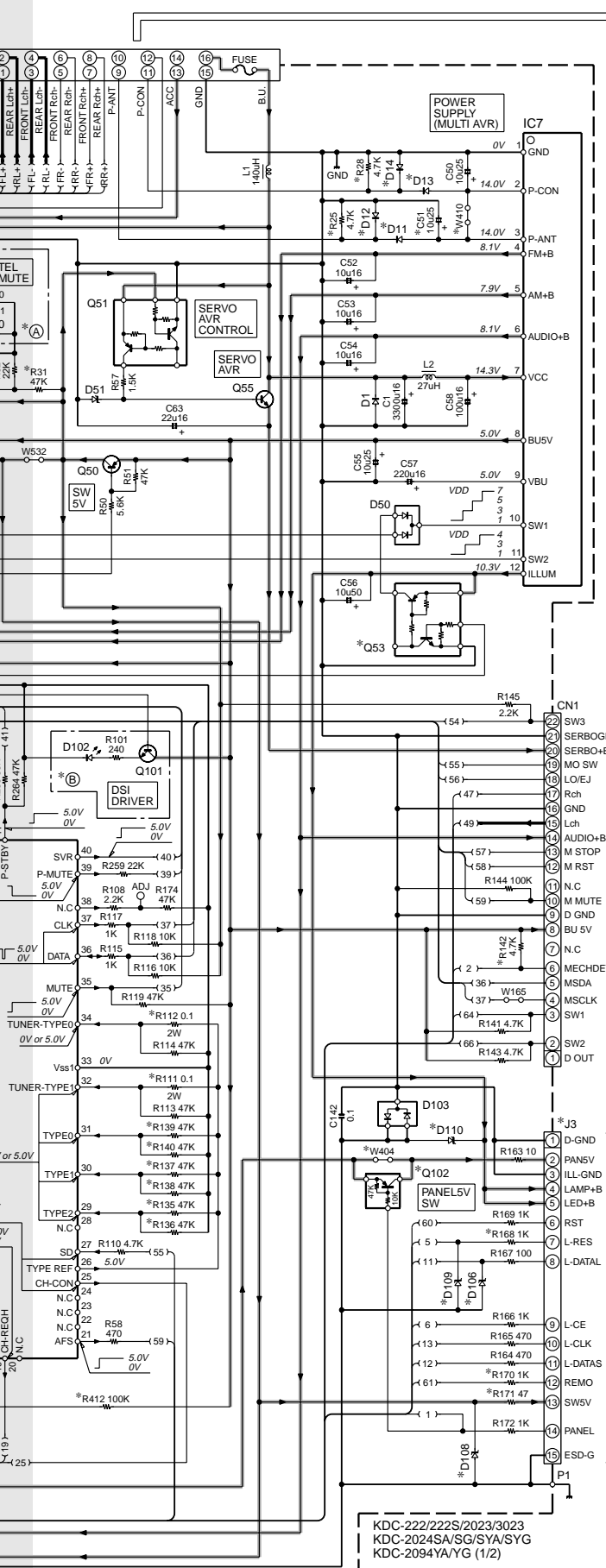
CAUTION: For continued safety, replace safety critical components only with manufacturer's recommended parts (refer to parts list).
 ⚠ Indicates safety critical components. To reduce the risk of electric shock, leakage-current or resistance measurements shall be carried out (exposed parts are acceptably insulated from the supply circuit) before the appliance is returned to the customer.

- DC voltages are as measured with a high impedance voltmeter. Values may vary slightly due to variations between individual instruments or/and units.

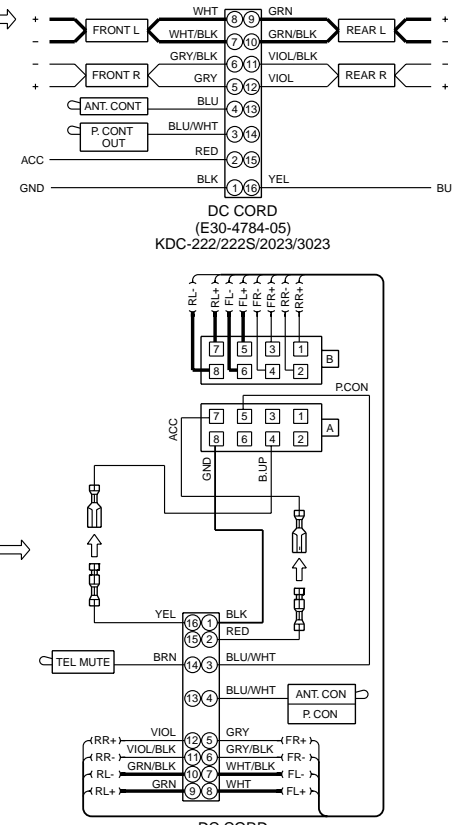


(X25-9600-xx/9612-7x)





- SIGNAL LINE
GND LINE
+B LINE
- IC1 : *
IC4 : *
IC6 : *
IC7 : TDA7479AD
IC8 : BA4911-V4
IC9 : HD74HC27FP
IC10 : TDA7513
IC11 : PST3435UL
IC12 : BR24C01AF-W or M24C01-WMNET or S-24C02AFJ-TB
- Q10,20,70,101,201,503 : 2SC4081
Q40 : DTA124EUA
Q50 : 2SA1036K
Q51,53 : UMC2N
Q55 : 2SD2375
Q102 : DTA114YUA
Q223,224 : DTC143TUA
Q251 : DTC114YUA
Q252 : UMG4N
Q253 : UMA11N
Q501 : CPH5905
Q502 : 3SK126
- D1 : S2V20*A or 1N5393G-M6
D3 : IMSA-6801
D10,20,70,201,202,401,402 : MA4068(N)-M
D11,13 : D1F60
D12,14 : AM01Z
D40,101,251-253 : 1SS133
D50 : DAN202U
D51 : MA4082(N)-L
D103 : DA204U
D106,108,109,403-405,407-410 : MA4062-L
D110 : HZS12A2
D411 : MA3062WA
D501,503 : RN739F
D504-506 : *



- to MECHA
- 1 D OUT
2 SW2
3 SW1
4 MUTE
5 MSCLA
6 MSCLK
7 N.C.
8 BU 5V
9 D GND
10 M MUTE
11 N.C.
12 M STOP
13 AUDIO+B
14 M RST
15 Lch
16 GND
17 Rch
18 LO/EJ
19 SERBOGND
20 SW3
21 SERBOGND
22 SW3

(X25-96XX-XX)

MODEL NAME	UNIT No.	A	E	B	D	C	F	C106	C227, 228	C256	C521	C522	C523	C524
KDC-222 (K)	00-12	NO	YES	NO	NO	NO	NO	1500P	NO	100u50	0.1	33P	27P	100P
KDC-222S (K)	00-12	NO	YES	YES	YES	YES	YES	1500P	NO	33u50	0.1	33P	27P	100P
KDC-2023 (M)	00-22	NO	YES	YES	YES	YES	YES	1500P	NO	33u50	0.1	33P	27P	100P
KDC-2023S (M)	00-22	NO	YES	YES	YES	YES	YES	1500P	NO	33u50	0.1	33P	27P	100P
KDC-2024SA (E)	12-75	NO	YES	NO	NO	NO	NO	1000P	YES	100u50	0.1	33P	27P	100P
KDC-2024SG (E)	12-75	NO	YES	NO	NO	NO	NO	1000P	YES	100u50	0.1	33P	27P	100P
KDC-2024SYA (E)	12-74	NO	YES	NO	NO	NO	NO	1000P	YES	100u50	0.1	39P	15P	100P
KDC-2094YA (E)	12-74	NO	YES	NO	NO	NO	NO	1000P	YES	100u50	0.1	39P	15P	100P
KDC-2094YG (E)	12-74	NO	YES	NO	NO	NO	NO	1000P	YES	100u50	0.1	39P	15P	100P

UNIT No.	C526	C528, 589	C529,557, 558,590,592	C530	C536	C537, 538	C541	C553	C568	C581	C587	CF52, 53	CN3
00-12	5P	YES	NO	4P	4P	8P	4P	0.01	820P	2P	0.01	L72-0781-05	NO
00-22	5P	YES	NO	4P	4P	8P	4P	0.01	820P	2P	0.01	L72-0781-05	NO
12-75	5P	YES	NO	4P	4P	8P	4P	0.047	820P	2P	0.01	L72-0716-05	NO
12-74	NO	YES	NO	8P	2P	10P	1P	0.047	820P	2P	0.01	L72-0716-05	NO

UNIT No.	D11, 12	D13,14, 106,110	D108	D109	D504-506	IC1	IC4	J3	L505
00-12	NO	YES	NO	NO	KV1720S	UPD780058GC501	TDA7386	E58-0879-05	L31-0967-05
00-22	YES	YES	YES	NO	KV1720S	UPD780058GC499	TDA7560	E58-0879-05	L31-0967-05
12-75	YES	YES	NO	NO	KV1720S	UPD780058GC499	TDA7386	E58-0879-05	L31-0967-05
12-74	YES	YES	NO	NO	KV1735S	UPD780058GC503	TDA7386	E58-0879-05	L31-0968-05

UNIT No.	L506	L507	Q40, 102	Q53	Q251	Q252, 253	R25, 136	R28, 521	R31, 32,140	R67,137,170, 171,412-414	R102,111,112,134, 142,168,173,529
00-12	L31-0970-05	L32-0933-05	YES	NO	YES	NO	NO	YES	NO	NO	NO
00-22	L31-0970-05	L32-0933-05	YES	YES	NO	NO	YES	YES	NO	YES	NO
12-75	L31-0970-05	L32-0933-05	YES	NO	YES	NO	YES	YES	NO	NO	NO
12-74	L31-0971-05	L32-0934-05	YES	NO	YES	NO	YES	YES	NO	NO	NO

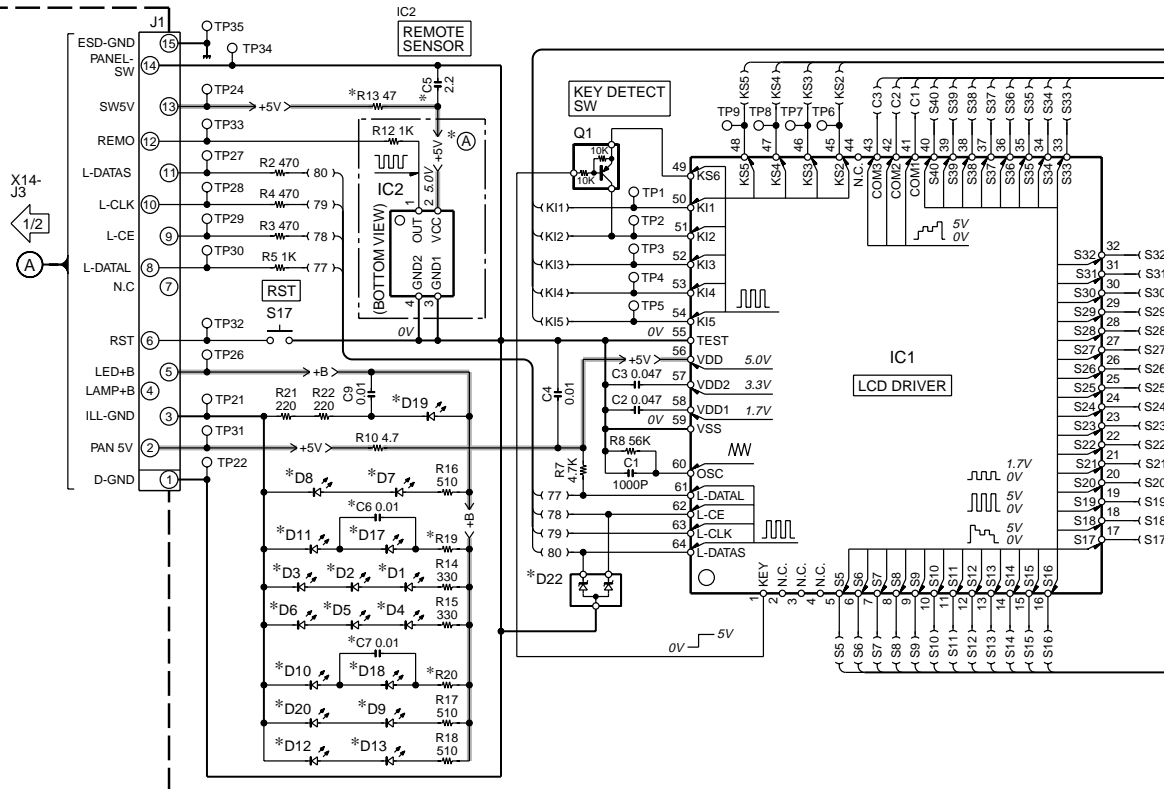
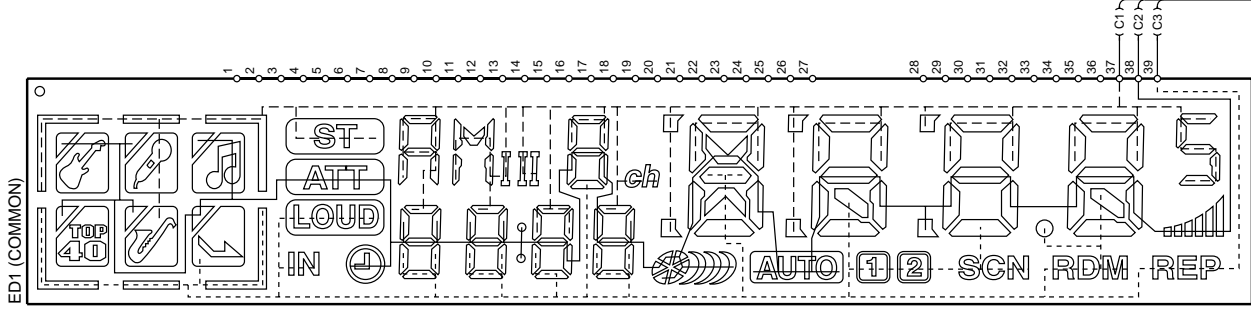
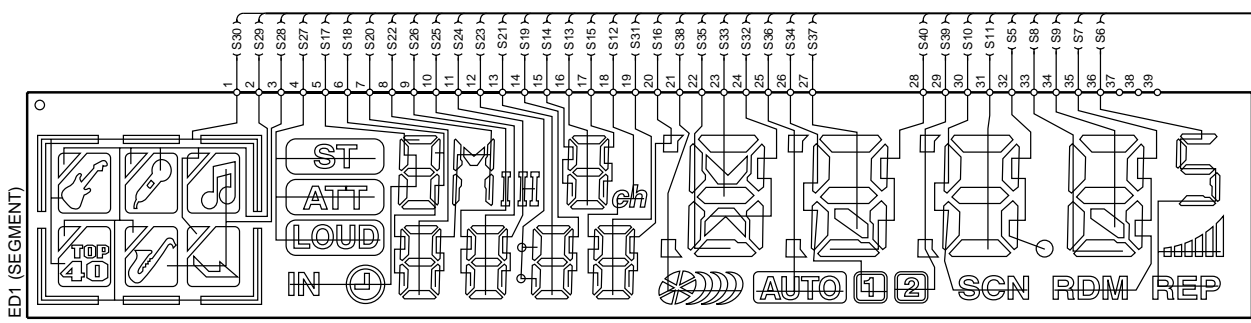
UNIT No.	R135	R138,251- 254,256,260	R139	R258	R261	R263	R526	W160, 161	W400- 404	W405- 409	W410, 578	W524	WH1
00-12	YES	YES	YES	100	430	180K	5.6K	YES	NO	NO	NO	YES	NO
00-22	NO	NO	YES	220	10	4.3K	5.6K	NO	NO	NO	NO	YES	NO
12-75	NO	YES	NO	100	430	180K	5.6K	NO	NO	NO	YES	YES	NO
12-74	NO	YES	NO	100	430	180K	5.6K	NO	NO	NO	YES	YES	NO

CAUTION: For continued safety, replace safety critical components only with manufacturer's recommended parts (refer to parts list).
 Δ Indicates safety critical components. To reduce the risk of electric shock, leakage-current or resistance measurements shall be carried out (exposed parts are acceptably insulated from the supply circuit) before the appliance is returned to the customer.
 • DC voltages are as measured with a high impedance voltmeter. Values may vary slightly due to variations between individual instruments or/and units.

1
2
3
4
5
6
7

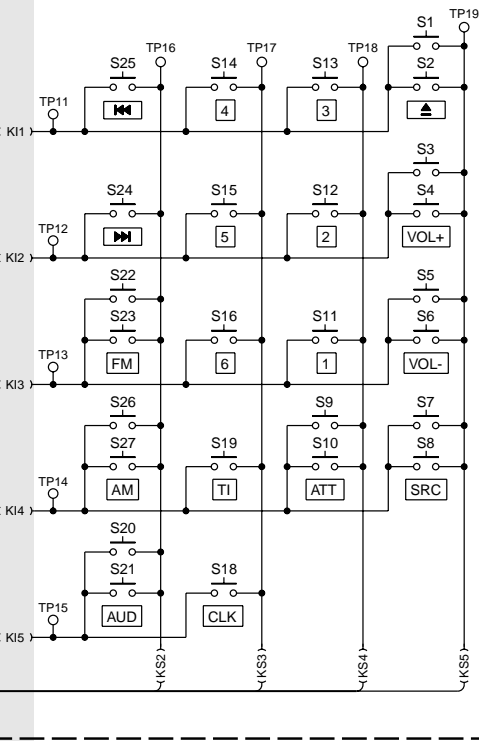
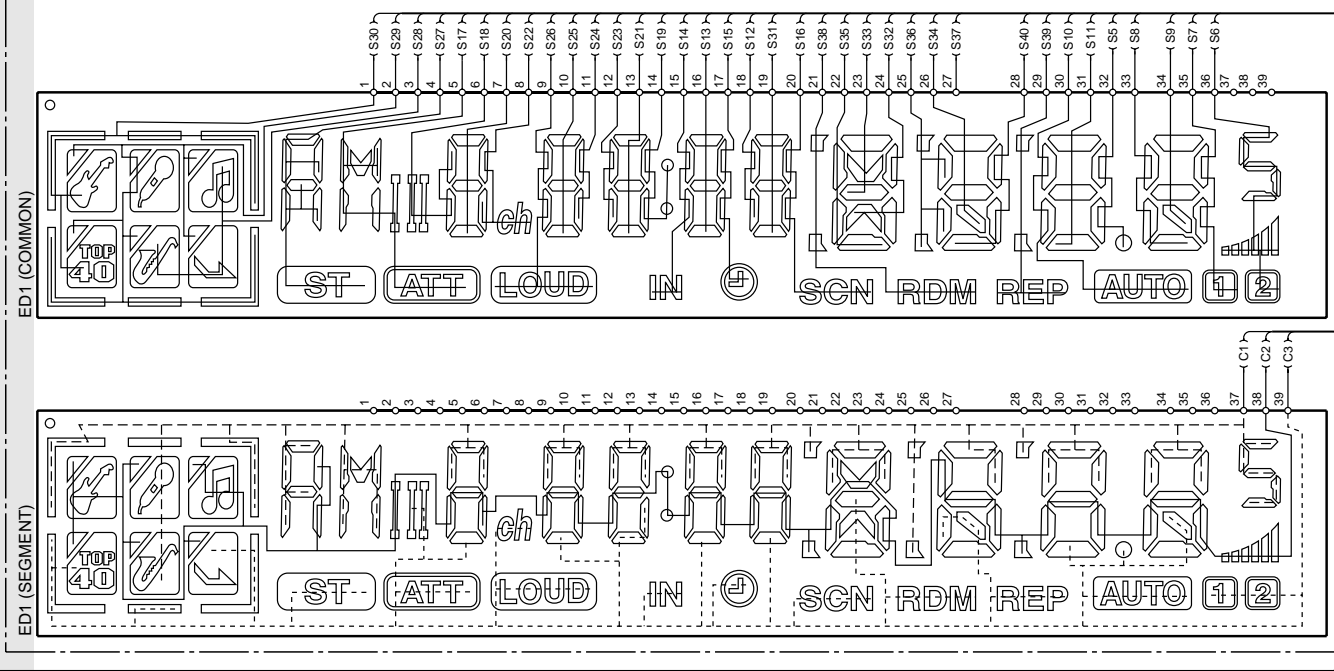
SWITCH UNIT (X16-1460-xx/2370-12)

(B38-1080/1081/1126-05) : KDC-4023/202MR/2024SA/2024SG/2024SYA/2024SYG/2094YA/2094YG/2022/2022V/2023/3023/RX-491CD/RV-391CD



CAUTION : For continued safety, replace safety critical components only with manufacturer's recommended parts (refer to parts list).
 ⚠ Indicates safety critical components. To reduce the risk of electric shock, leakage-current or resistance measurements shall be carried out (exposed parts are acceptably insulated from the supply circuit) before the appliance is returned to the customer.
 • DC voltages are as measured with a high impedance voltmeter. Values may vary slightly due to variations between individual instruments or/and units.

(B38-1079-05) : KDC-1023/1023S/122/122S/222/222S



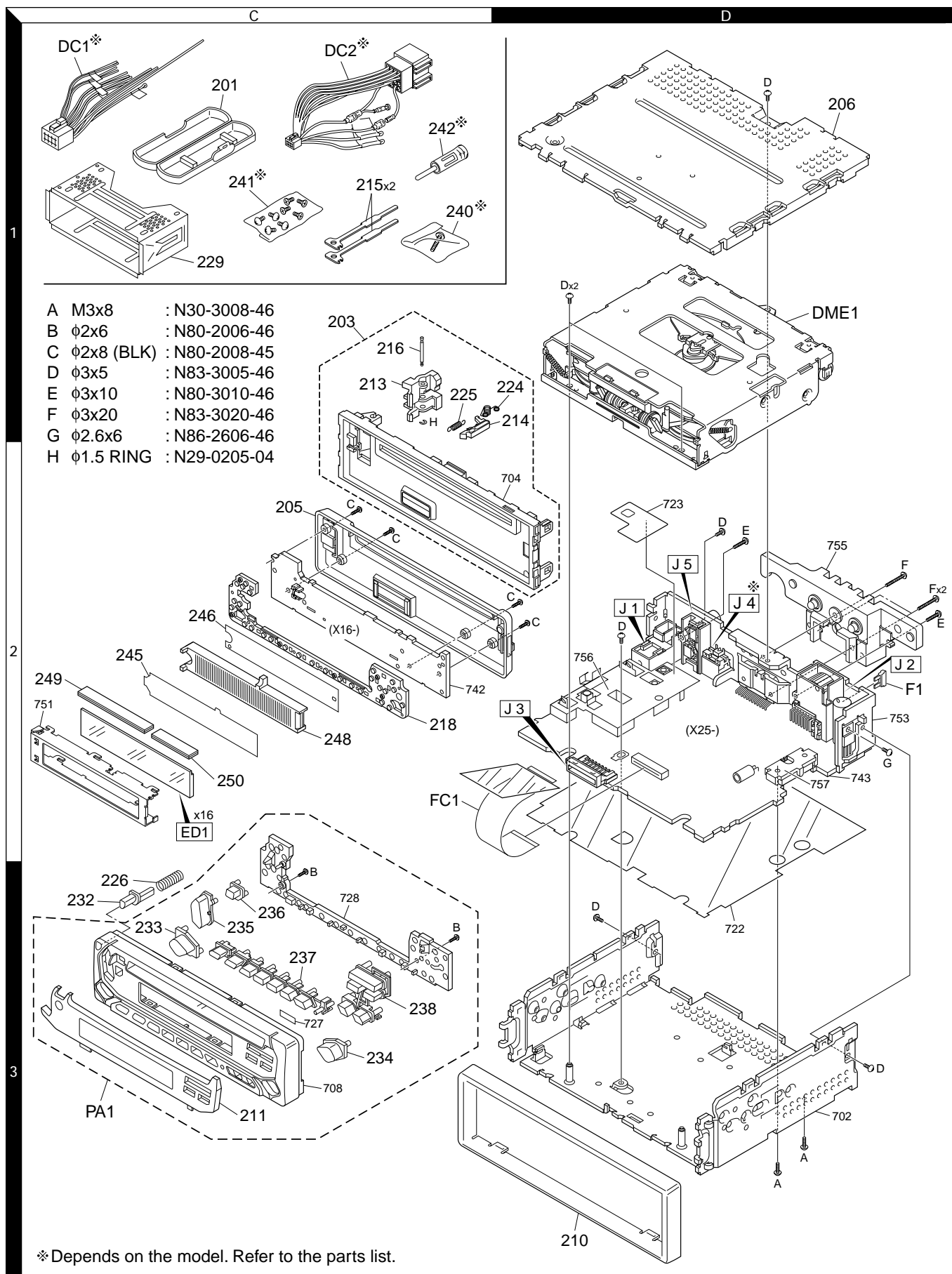
IC1 : LC75853NE D1-13,20 : *
 IC2 : RS-171 D17,18 : *
 Q1 : DTA114EUA D19 : *
 D22 : MA3062WA
 ED1 : *

————— GND LINE
 <-B- +B LINE

MODEL NAME	UNIT No.	(A)	C5	C6, 7	D1-13,20	D17,18	D19	D22	R13	R19, 20
RX-491CD (J)	X16-1460-01	YES	YES	YES	B30-1533-05 (GREEN)	B30-1564-05 or B30-1642-05 (BLUE)	B30-1633-05	NO	YES	390
RY-391CD (J)	X16-1460-03	NO	NO	NO	B30-1533-05 (GREEN)	B30-1533-05 (GREEN)	B30-1633-05	NO	NO	510
KDC-4023 (M)	X16-1460-11	YES	YES	YES	B30-1533-05 (GREEN)	B30-1564-05 or B30-1642-05 (BLUE)	B30-1633-05	YES	YES	390
KDC-202MR (K)	X16-1460-12	YES	YES	NO	B30-1533-05 (GREEN)	B30-1533-05 (GREEN)	B30-1633-05	YES	YES	510
KDC-1023 (M)	X16-1460-13	NO	NO	NO	B30-1533-05 (GREEN)	B30-1533-05 (GREEN)	B30-1633-05	YES	NO	510
KDC-1023S (M)	X16-1460-13	NO	NO	NO	B30-1533-05 (GREEN)	B30-1533-05 (GREEN)	B30-1633-05	YES	NO	510
KDC-2024SG (E)	X16-1460-14	NO	YES	NO	B30-1533-05 (GREEN)	B30-1533-05 (GREEN)	B30-1633-05	YES	YES	510
KDC-2024SYG (E)	X16-1460-14	NO	YES	NO	B30-1533-05 (GREEN)	B30-1533-05 (GREEN)	B30-1633-05	YES	YES	510
KDC-2022V (K)	X16-1460-15	YES	YES	YES	B30-1567-05 (RED)	B30-1564-05 or B30-1642-05 (BLUE)	B30-1633-05	YES	YES	390
KDC-2024SA (E)	X16-1460-16	NO	YES	NO	B30-1567-05 (RED)	B30-1567-05 (RED)	B30-1633-05	YES	YES	510
KDC-2024SYA (E)	X16-1460-16	NO	YES	NO	B30-1567-05 (RED)	B30-1567-05 (RED)	B30-1633-05	YES	YES	510
KDC-2094YA (E)	X16-1460-16	NO	YES	NO	B30-1567-05 (RED)	B30-1567-05 (RED)	B30-1633-05	YES	YES	510
KDC-2023 (M)	X16-1460-20	YES	YES	NO	B30-1533-05 (GREEN)	B30-1533-05 (GREEN)	B30-1633-05	YES	YES	510
KDC-3023 (M)	X16-1460-21	YES	YES	NO	B30-1567-05 (RED)	B30-1567-05 (RED)	B30-1641-05	YES	YES	510
KDC-2022 (K)	X16-2370-10	YES	YES	YES	B30-1567-05 (RED)	B30-1564-05 (BLUE)	B30-1633-05	YES	YES	390
KDC-122 (K)	X16-2370-11	NO	NO	NO	B30-1567-05 (RED)	B30-1567-05 (RED)	B30-1633-05	NO	NO	510
KDC-122S (K)	X16-2370-11	NO	NO	NO	B30-1567-05 (RED)	B30-1567-05 (RED)	B30-1633-05	NO	NO	510
KDC-222 (K)	X16-2370-12	NO	YES	NO	B30-1567-05 (RED)	B30-1564-05 (BLUE)	B30-1633-05	YES	YES	510
KDC-222S (K)	X16-2370-12	NO	YES	NO	B30-1567-05 (RED)	B30-1564-05 (BLUE)	B30-1633-05	YES	YES	510

KDC-2022/V/202MR/4023 (2/2)
 KDC-122/S/1023/S (2/2)
 KDC-222/S/2023/3023/2024SA/SG/SYA/SYG/2094YA/YG (2/2)
 RX-491CD/RY-391CD (2/2)

EXPLODED VIEW (UNIT)



PARTS LIST

* New Parts

Parts without **Parts No.** are not supplied.

Les articles non mentionnes dans le **Parts No.** ne sont pas fournis.

Teile ohne **Parts No.** werden nicht geliefert.

Ref. No.	A d d	N e w	Parts No.	Description	Dest inati on
KDC-2023,2024SA/SG/SYA/SYG,2094YA/YG,222/S,3023					
201	1C		A02-1486-13	PLASTIC CABINET ASSY	
203	1C		A22-2863-03	SUB PANEL ASSY	
205	2C		A46-1750-01	REAR COVER	
206	1D		A52-0804-02	TOP PLATE	
PA1	3C	*	A64-2867-02	PANEL ASSY	K3
PA1	3C	*	A64-2868-02	PANEL ASSY	K4
PA1	3C	*	A64-2870-02	PANEL ASSY	M
PA1	3C	*	A64-2873-02	PANEL ASSY	M3
PA1	3C	*	A64-2878-02	PANEL ASSY	E6E7E8
PA1	3C	*	A64-2878-02	PANEL ASSY	E9
PA1	3C	*	A64-2884-02	PANEL ASSY	E4E5
-			B46-0100-50	WARRANTY CARD	K3K4M
-			B46-0100-50	WARRANTY CARD	M3E6E7
-			B46-0606-04	ID CARD	
-			B58-1365-04	CAUTION CARD	
-		*	B64-2475-00	INSTR.MANUAL(ENG.FRE.SPA.POR.)	K3K4
-		*	B64-2476-00	INSTRUCTION MANUAL(ENG.T-CHI.)	MM3
-		*	B64-2477-00	INSTRUCTION MANUAL(ARABIC)	MM3
-		*	B64-2483-00	INSTRUCTI.MANUAL(ENG.FRE.GER.)	E6E7
-		*	B64-2483-00	INSTR.MANUAL(DUT.ITA.SPA.POR.)	E6E7
-		*	B64-2487-00	INSTRUCTI.MANUAL(ENG.RUS.POL.)	E4E5
-		*	B64-2488-00	INSTRUCTION MANUAL(SWED.FINN.)	E4E5
-		*	B64-2489-00	INSTRUCTI.MANUAL(CZE.HUN.CRO.)	E4E5
-		*	B64-2490-00	IN.M(ENG.RUS.POL.CZE.HUN.CRO.)	E8E9
210	3D		B07-3001-02	ESCUTCHEON	ME6E7
210	3D		B07-3001-02	ESCUTCHEON	E4E5E8
210	3D		B07-3001-02	ESCUTCHEON	E9
210	3D		B07-3022-02	ESCUTCHEON	K4M3
210	3D		B07-3060-02	ESCUTCHEON	K3
211	3C	*	B10-4337-01	FRONT GLASS	K3
211	3C	*	B10-4338-01	FRONT GLASS	K4
211	3C	*	B10-4339-01	FRONT GLASS	M
211	3C	*	B10-4342-01	FRONT GLASS	M3
211	3C	*	B10-4347-01	FRONT GLASS	E6E7E8
211	3C	*	B10-4347-01	FRONT GLASS	E9
211	3C	*	B10-4352-01	FRONT GLASS	E4E5
213	1C		D10-4446-03	LEVER	
214	2C		D10-4447-03	LEVER	
215	1C		D10-4589-04	LEVER	
216	1C		D21-2329-04	SHAFT	
218	2C		E29-1872-02	CONDUCTIVE RUBBER	
△ DC1	1C		E30-4784-05	DC CORD	K3K4M
△ DC1	1C		E30-4784-05	DC CORD	M3
△ DC1	1C		E30-6131-05	DC CORD	K3K4M
△ DC1	1C		E30-6131-05	DC CORD	M3
△ DC2	1C		E30-4790-05	DC CORD (ISO)	E6E7E4
△ DC2	1C		E30-4790-05	DC CORD (ISO)	E5E8E9
△ DC2	1C		E30-6134-05	DC CORD (ISO)	E6E7E4
△ DC2	1C		E30-6134-05	DC CORD (ISO)	E5E8E9
△ FC1	2D		E39-0476-05	FLAT CABLE	
△ F1	2D		F52-0006-05	FUSE(MINI BLADE TYPE)10A	

Ref. No.	A d d	N e w	Parts No.	Description	Dest inati on
224	1C		G01-2987-04	TORSION COIL SPRING	
225	1C		G01-3096-04	EXTENSION SPRING	
226	3C		G01-3149-04	COMPRESSION SPRING	
-		*	H10-4856-02	POLYSTYRENE FOAMED FIXTURE	
-		*	H25-0329-04	PROTECTION BAG (280X450X0.03)	
-		*	H25-0337-04	PROTECTION BAG (180X300X0.03)	
-		*	H54-2736-03	ITEM CARTON CASE	K3
-		*	H54-2737-03	ITEM CARTON CASE	K4
-		*	H54-2738-03	ITEM CARTON CASE	M
-		*	H54-2741-03	ITEM CARTON CASE	M3
-		*	H54-2744-03	ITEM CARTON CASE	E6
-		*	H54-2745-03	ITEM CARTON CASE	E7
-		*	H54-2756-03	ITEM CARTON CASE	E4
-		*	H54-2757-03	ITEM CARTON CASE	E5
-		*	H54-2758-03	ITEM CARTON CASE	E8
-		*	H54-2759-03	ITEM CARTON CASE	E9
229	1C		J21-9716-03	MOUNTING HARDWARE ASSY	
232	3C		K24-3822-04	KNOB (RELEASE)	
233	3C		K24-3823-04	KNOB (SRC)	
234	3C		K24-3824-04	KNOB (AUD)	
235	3C		K24-3825-03	KNOB (VOL)	
236	3C		K24-3826-04	KNOB (EJECT)	
237	3C		K25-1396-03	KNOB (PRE1-6,ATT,RESET)	
238	3C		K25-1397-03	KNOB (AUTO,CLK,FM,AM)	
240	1C		N99-1610-15	SCREW SET	K3K4M
240	1C		N99-1610-15	SCREW SET	M3
241	1C		N99-1719-05	SCREW SET	K3K4M
241	1C		N99-1719-05	SCREW SET	M3
A	3D		N30-3008-46	PAN HEAD MACHINE SCREW	
B	3C		N80-2006-46	PAN HEAD TAPTITE SCREW	
C	2C		N80-2008-45	PAN HEAD TAPTITE SCREW	
D	1D		N83-3005-46	PAN HEAD TAPTITE SCREW	
H	1C		N29-0205-04	RETAINING RING (1.5)	
242	1C		T90-0523-05	ANTENNA ADAPTOR	E6E7E4
242	1C		T90-0523-05	ANTENNA ADAPTOR	E5E8E9
242	1C		T90-0534-05	ANTENNA ADAPTOR	E6E7E4
242	1C		T90-0534-05	ANTENNA ADAPTOR	E5E8E9
DME1	1D	*	X92-4640-00	MECHANISM ASSY	
SWITCH UNIT (X16-1460-xx, X16-2370-12)					
245	2C		B11-1358-04	OPTICAL DIFFUSER	E6E7E4
245	2C		B11-1358-04	OPTICAL DIFFUSER	K3K4M
245	2C		B11-1358-04	OPTICAL DIFFUSER	E5E8E9
245	2C		B11-1372-04	OPTICAL DIFFUSER	M3
246	2C		B11-1359-04	REFLECTION SHEET	
248	2C		B19-2130-03	LIGHTING BOARD	
D1 -13			B30-1533-05	LED(1608,PG)	ME7E5
D1 -13			B30-1533-05	LED(1608,PG)	E9
D1 -13			B30-1567-05	LED(1608,RED)	E6E4E8
D1 -13			B30-1567-05	LED(1608,RED)	K3K4M3
D17 ,18			B30-1533-05	LED(1608,PG)	ME7E5
D17 ,18			B30-1533-05	LED(1608,PG)	E9
D17 ,18			B30-1564-05	LED(1608,BLUE)	K3K4

K3 : KDC-222 **K4** : KDC-222S **E4** : KDC-2094YA **E5** : KDC-2094YG
E6 : KDC-2024SA **E7** : KDC-2024SG **E8** : KDC-2024SYA **E9** : KDC-2024SYG
M : KDC-2023 **M3** : KDC-3023

△ indicates safety critical components.

PARTS LIST

* New Parts

Parts without **Parts No.** are not supplied.

Les articles non mentionnes dans le **Parts No.** ne sont pas fournis.

Teile ohne **Parts No.** werden nicht geliefert.

SWITCH UNIT (X16-1460-xx, X16-2370-12)

Ref. No.	A	N	Parts No.	Description	Dest	Ref. No.	A	N	Parts No.	Description	Dest
	d	e			inati		d	e			inati
					on						on
D17, 18			B30-1567-05	LED(1608,RED)	M3E6E4	C57			C90-2980-05	ELECTRO 220UF 16WV	
D17, 18			B30-1567-05	LED(1608,RED)	E8	C58			C90-2962-05	ELECTRO 100UF 16WV	
D19			B30-1633-05	LED(WHITE)	E6E7E4	C63			CE04NW1C220M	ELECTRO 22UF 16WV	
D19			B30-1633-05	LED(WHITE)	K3K4M	C101			CE04NW0J101M	ELECTRO 100UF 6.3WV	
D19			B30-1633-05	LED(WHITE)	E5E8E9	C102			CK73GB1H103K	CHIP C 0.010UF K	
D19			B30-1641-05	LED	M3	C103			CK73GB1C104K	CHIP C 0.10UF K	
D20			B30-1533-05	LED(1608,PG)	ME7E5	C104, 105			CC73GCH1H150J	CHIP C 15PF J	
D20			B30-1533-05	LED(1608,PG)	E9	C106			CK73GB1H102K	CHIP C 1000PF K	E6E7E4
D20			B30-1567-05	LED(1608,RED)	E6E4E8	C106			CK73GB1H102K	CHIP C 1000PF K	E5E8E9
D20			B30-1567-05	LED(1608,RED)	K3K4M3	C106			CK73GB1H152K	CHIP C 1500PF K	K3K4M
ED1			B38-1079-05	LIQUID CRYSTAL	K3K4	C106			CK73GB1H152K	CHIP C 1500PF K	M3
ED1			B38-1080-05	LIQUID CRYSTAL	ME6E7	C142			CK73GB1C104K	CHIP C 0.10UF K	
ED1			B38-1080-05	LIQUID CRYSTAL	E4E5E8	C204, 205			CE04NW1H2R2M	ELECTRO 2.2UF 50WV	
ED1			B38-1080-05	LIQUID CRYSTAL	E9	C223, 224			CE04NW1C100M	ELECTRO 10UF 16WV	
ED1			B38-1081-05	LIQUID CRYSTAL	M3	C251-254			C90-5296-05	NP-ELECT 0.22UF 50WV	
C1			CK73GB1H102K	CHIP C 1000PF K		C255			CE04NW1H010M	ELECTRO 1.0UF 50WV	
C2, 3			CK73GB1E473K	CHIP C 0.047UF K		C256			CE04NW1A101M	ELECTRO 100UF 10WV	E7E4E5
C2, 3			CK73GB1H473K	CHIP C 0.047UF K		C256			CE04NW1A101M	ELECTRO 100UF 10WV	K3K4E6
C4			CK73GB1H103K	CHIP C 0.010UF K		C256			CE04NW1A101M	ELECTRO 100UF 10WV	E8E9
C5			CK73FB1A225K	CHIP C 2.2UF K		C256			CE04NW1A330M	ELECTRO 33UF 10WV	MM3
C9			CK73GB1H103K	CHIP C 0.010UF K		C257			CE04NW1H010M	ELECTRO 1.0UF 50WV	
249	2C		E29-1887-04	CONDUCTIVE RUBBER		C258			C90-2935-05	ELECTRO 1.0UF 50WV	
250	2C		E29-1888-04	CONDUCTIVE RUBBER		C401, 402			C90-2608-05	ELECTRO 1.0UF 50WV	MM3
J1			E59-0828-05	RECTANGULAR PLUG		C403			CE04CW1A101M	ELECTRO 100UF 10WV	MM3
-			J19-5130-04	HOLDER (LED)		C404			CK73GB1H103K	CHIP C 0.010UF K	MM3
R2 -4			RK73GB2A471J	CHIP R 470 J 1/10W		C502			CK73GB1H152K	CHIP C 1500PF K	
R5			RK73GB2A102J	CHIP R 1.0K J 1/10W		C503			CK73GB1C104K	CHIP C 0.10UF K	
R7			RK73GB2A472J	CHIP R 4.7K J 1/10W		C504			CK73GB1H103K	CHIP C 0.010UF K	
R8			RK73GB2A563J	CHIP R 56K J 1/10W		C505			C90-2595-05	ELECTRO 4.7UF 16WV	
R10			RK73GB2A4R7J	CHIP R 4.7 J 1/10W		C506			CK73GB1C104K	CHIP C 0.10UF K	
R12			RK73GB2A102J	CHIP R 1.0K J 1/10W	MM3	C507			CE04CW1A330M	ELECTRO 33UF 10WV	
R13			RK73FB2B470J	CHIP R 47 J 1/8W		C508			CE04CW1A220M	ELECTRO 22UF 10WV	
R14, 15			RK73FB2B331J	CHIP R 330 J 1/8W		C509			CC73GCH1H680J	CHIP C 68PF J	
R16 -20			RK73FB2B511J	CHIP R 510 J 1/8W		C510			CC73GCH1H101J	CHIP C 100PF J	
R21, 22			RK73FB2B221J	CHIP R 220 J 1/8W		C511			CK73GB1H103K	CHIP C 0.010UF K	
D22			MA3062WA	ZENER DIODE		C512			C90-2595-05	ELECTRO 4.7UF 16WV	
IC1			LC75853NE	MOS-IC		C513, 514			CK73GB1H103K	CHIP C 0.010UF K	
IC2			RS-171	ANALOGUE IC	MM3	C515			CK73FB1C105K	CHIP C 1.0UF K	
Q1			DTA114EUA	DIGITAL TRANSISTOR		C516			CC73GCH1H100D	CHIP C 10PF D	
Q1			UN5111	DIGITAL TRANSISTOR		C521			CK73GB1C104K	CHIP C 0.10UF K	
ELECTRIC UNIT (X25-9600-xx, X25-9612-7x)											
D102			B30-1567-05	LED(1608,RED)		C522			CC73GCH1H330J	CHIP C 33PF J	K3K4M
C1			C90-5242-05	ELECTRO 3300UF 16WV		C522			CC73GCH1H330J	CHIP C 33PF J	M3E6E7
C21			CK73GB1H103K	CHIP C 0.010UF K		C522			CC73GCH1H330J	CHIP C 33PF J	E8E9
C40			CK73GB1H103K	CHIP C 0.010UF K		C522			CC73GCH1H390J	CHIP C 39PF J	E4E5
C50			CE04NW1E100M	ELECTRO 10UF 25WV	E7E4E5	C523			CC73GCH1H150J	CHIP C 15PF J	E4E5
C50			CE04NW1E100M	ELECTRO 10UF 25WV	K3K4E6						
C50			CE04NW1E100M	ELECTRO 10UF 25WV	E8E9						
C50, 51			CE04NW1E100M	ELECTRO 10UF 25WV	MM3						
C52 -54			CE04NW1C100M	ELECTRO 10UF 16WV		C523			CC73GCH1H270J	CHIP C 27PF J	K3K4M
C55			CE04NW1E100M	ELECTRO 10UF 25WV		C523			CC73GCH1H270J	CHIP C 27PF J	M3E6E7
C56			CE04CW1H100M	ELECTRO 10UF 50WV		C523			CC73GCH1H270J	CHIP C 27PF J	E8E9
						C524			CC73GCH1H101J	CHIP C 100PF J	
						C525			CK73GB1H103K	CHIP C 0.010UF K	
						C526			CC73GCH1H050C	CHIP C 5.0PF C	K3K4M
						C526			CC73GCH1H050C	CHIP C 5.0PF C	M3E6E7
						C526			CC73GCH1H050C	CHIP C 5.0PF C	E8E9
						C528			CC73GCH1H060D	CHIP C 6.0PF D	
						C530			CC73GCH1H040C	CHIP C 4.0PF C	K3K4M

PARTS LIST

* New Parts

Parts without **Parts No.** are not supplied.

Les articles non mentionnes dans le **Parts No.** ne sont pas fournis.

Teile ohne **Parts No.** werden nicht geliefert.

ELECTRIC UNIT (X25-9600-xx, X25-9612-7x)

Ref. No.	A d d	N e w	Parts No.	Description	Dest inati on	Ref. No.	A d d	N e w	Parts No.	Description	Dest inati on
C530			CC73GCH1H040C	CHIP C 4.0PF C	M3E6E7	J3			E58-0879-05	RECTANGULAR RECEPTACLE	
C530			CC73GCH1H040C	CHIP C 4.0PF C	E8E9	J4			E56-0834-05	CYLINDRICAL RECEPTACLE	MM3
C530			CC73GCH1H080D	CHIP C 8.0PF D	E4E5	J5			E63-0852-05	PIN JACK	
C531			CK73FB1C105K	CHIP C 1.0UF K		CF51			L72-0781-05	CERAMIC FILTER	E6E7E4
C533,534			CK73GB1H103K	CHIP C 0.010UF K		CF51			L72-0781-05	CERAMIC FILTER	E5E8E9
C535			CC73GCH1H020C	CHIP C 2.0PF C	K3K4M	CF51-53			L72-0781-05	CERAMIC FILTER	K3K4M
C535			CC73GCH1H020C	CHIP C 2.0PF C	M3E6E7	CF51-53			L72-0781-05	CERAMIC FILTER	M3
C535			CC73GCH1H020C	CHIP C 2.0PF C	E8E9	CF52,53			L72-0716-05	CERAMIC FILTER	E6E7E4
C535,536			CC73GCH1H020C	CHIP C 2.0PF C	E4E5	CF52,53			L72-0716-05	CERAMIC FILTER	E5E8E9
C536			CC73GCH1H040C	CHIP C 4.0PF C	K3K4M	CF54			L72-0743-05	CERAMIC FILTER	
C536			CC73GCH1H040C	CHIP C 4.0PF C	M3E6E7	L1			L33-1170-05	CHOKE COIL ASSY	
C537,538			CC73GCH1H080D	CHIP C 8.0PF D	E8E9	L2			L33-1807-05	CHOKE COIL	
C537,538			CC73GCH1H080D	CHIP C 8.0PF D	K3K4M	L4			L33-1123-05	LINE FILTER COIL	
C537,538			CC73GCH1H080D	CHIP C 8.0PF D	M3E6E7	L101			L40-4795-91	SMALL FIXED INDUCTOR(4.7UH,J)	
C537,538			CC73GCH1H080D	CHIP C 8.0PF D	E8E9	L501			L40-6891-58	SMALL FIXED INDUCTOR	
C541			CC73GCH1H100D	CHIP C 10PF D	E4E5	L502		*	L40-3301-58	SMALL FIXED INDUCTOR(33U)	
C541			CC73GCH1H010C	CHIP C 1.0PF C	E4E5	L503			L40-1021-56	SMALL FIXED INDUCTOR(1MH)	
C541			CC73GCH1H040C	CHIP C 4.0PF C	K3K4M	L504			L40-1011-58	SMALL FIXED INDUCTOR	
C541			CC73GCH1H040C	CHIP C 4.0PF C	M3E6E7	L505		*	L31-0967-05	FM-RF COIL	K3K4M
C541			CC73GCH1H040C	CHIP C 4.0PF C	E8E9	L505		*	L31-0967-05	FM-RF COIL	M3E6E7
C542			CC73GCH1H220J	CHIP C 22PF J		L505		*	L31-0967-05	FM-RF COIL	E8E9
C543			CC73GCH1H680J	CHIP C 68PF J		L505		*	L31-0968-05	FM-RF COIL	E4E5
C544			CC73GCH1H150J	CHIP C 15PF J		L506		*	L31-0970-05	FM-RF COIL	K3K4M
C545			CK73GB1H682K	CHIP C 6800PF K		L506		*	L31-0970-05	FM-RF COIL	M3E6E7
C546			CK73GB1H103K	CHIP C 0.010UF K		L506		*	L31-0970-05	FM-RF COIL	E8E9
C547			C90-2594-05	ELECTRO 10UF 10WV		L506		*	L31-0971-05	FM-RF COIL	E4E5
C548			CK73GB1E223K	CHIP C 0.022UF K		L507		*	L32-0933-05	OSCILATING COIL	K3K4M
C549			CK73GB1H222K	CHIP C 2200PF K		L507		*	L32-0933-05	OSCILATING COIL	M3E6E7
C550			CK73GB1E333K	CHIP C 0.033UF K		L507		*	L32-0933-05	OSCILATING COIL	E8E9
C551,552			CK73GB1H103K	CHIP C 0.010UF K		L507		*	L32-0934-05	OSCILATING COIL	E4E5
C553,554			CK73GB1C104K	CHIP C 0.10UF K		L508		*	L30-0770-05	FM IFT	
C555,556			CK73GB1H102K	CHIP C 1000PF K		L509		*	L30-0771-05	AM IFT	
C560			CC73GCH1H101J	CHIP C 100PF J		L510-517		*	L40-4795-91	SMALL FIXED INDUCTOR(4.7UH,J)	
C561			C90-2608-05	ELECTRO 1.0UF 50WV		X1			L77-1167-05	CRYSTAL RESONATOR(4.19M)	
C562			C90-2594-05	ELECTRO 10UF 10WV		X501			L77-2077-05	CRYSTAL RESONATOR	
C563			C90-2606-05	ELECTRO 0.47UF 50WV		D	2D		N83-3005-46	PAN HEAD TAPTITE SCREW	
C564			CK73GB1A474K	CHIP C 0.47UF K		E	2D		N80-3010-46	PAN HEAD TAPTITE SCREW	
C565			CE04NW1A470M	ELECTRO 47UF 10WV		F	2D		N83-3020-46	PAN HEAD TAPTITE SCREW	
C568			CC73GCH1H821J	CHIP C 820PF J		G	2D		N86-2606-46	BINDING HEAD TAPTITE SCREW	
C580			CK73GB1H103K	CHIP C 0.010UF K		CP1			R90-1049-05	MULTI-COMP 10K X2	
C581			CC73GCH1H020C	CHIP C 2.0PF C		CP2			R90-1047-05	MULTI-COMP 2.2K X2	
C582,583			CK73GB1C104K	CHIP C 0.10UF K		CP3			R90-1046-05	MULTI-COMP 1K X2	
C584			C90-2594-05	ELECTRO 10UF 10WV		R10			RK73FB2B303J	CHIP R 30K J 1/8W	
C585			CK73GB1H103K	CHIP C 0.010UF K		R11			RK73GB2A103J	CHIP R 10K J 1/10W	
C586			CK73GB1C104K	CHIP C 0.10UF K		R12			RK73GB2A104J	CHIP R 100K J 1/10W	
C587			CK73GB1H103K	CHIP C 0.010UF K		R20			RD14DB2H332J	SMALL-RD 3.3K J 1/2W	
C588			CK73GB1A474K	CHIP C 0.47UF K		R21			RD14BB2C333J	RD 33K J 1/6W	
C589			CK73GB1C104K	CHIP C 0.10UF K		R22			RK73GB2A103J	CHIP R 10K J 1/10W	
C591			CE04CW1A330M	ELECTRO 33UF 10WV		R23			RK73GB2A104J	CHIP R 100K J 1/10W	
C593			CK73FB1C105K	CHIP C 1.0UF K		R25			RD14BB2C472J	RD 4.7K J 1/6W	E7E4E5
C600			CE04CW1A101M	ELECTRO 100UF 10WV		R25			RD14BB2C472J	RD 4.7K J 1/6W	MM3E6
CN1			E40-9550-05	FLAT CABLE CONNECTOR		R25			RD14BB2C472J	RD 4.7K J 1/6W	E8E9
J1			E04-0312-05	RF COAXIAL CABLE RECEPTACLE		R28			RD14BB2C472J	RD 4.7K J 1/6W	
J2			E58-0863-15	RECTANGULAR RECEPTACLE		R31			RK73GB2A473J	CHIP R 47K J 1/10W	E6E7E4

△

K3 : KDC-222 K4 : KDC-222S E4 : KDC-2094YA E5 : KDC-2094YG
 E6 : KDC-2024SA E7 : KDC-2024SG E8 : KDC-2024SYA E9 : KDC-2024SYG
 M : KDC-2023 M3 : KDC-3023

△ indicates safety critical components.

PARTS LIST

* New Parts

Parts without **Parts No.** are not supplied.

Les articles non mentionnes dans le **Parts No.** ne sont pas fournis.

Teile ohne **Parts No.** werden nicht geliefert.

ELECTRIC UNIT (X25-9600-xx, X25-9612-7x)

Ref. No.	A d d	N e w	Parts No.	Description	Dest inati on	Ref. No.	A d d	N e w	Parts No.	Description	Dest inati on
R31			RK73GB2A473J	CHIP R 47K J 1/10W	E5E8E9	R169			RD14BB2C102J	RD 1.0K J 1/6W	E7E4E5
R32			RK73GB2A223J	CHIP R 22K J 1/10W	E6E7E4	R169			RD14BB2C102J	RD 1.0K J 1/6W	K3K4E6
R32			RK73GB2A223J	CHIP R 22K J 1/10W	E5E8E9	R169			RD14BB2C102J	RD 1.0K J 1/6W	E8E9
R50			RD14BB2C562J	RD 5.6K J 1/6W		R169,170			RD14BB2C102J	RD 1.0K J 1/6W	MM3
R51			RK73GB2A473J	CHIP R 47K J 1/10W		R171			RD14BB2C470J	RD 47 J 1/6W	MM3
R57			RK73FB2B152J	CHIP R 1.5K J 1/8W		R172			RD14BB2C102J	RD 1.0K J 1/6W	
R58			RK73GB2A471J	CHIP R 470 J 1/10W		R174			RK73GB2A473J	CHIP R 47K J 1/10W	
R67 -69			RK73GB2A103J	CHIP R 10K J 1/10W	MM3	R201			RK73GB2A473J	CHIP R 47K J 1/10W	
R68 ,69			RK73GB2A103J	CHIP R 10K J 1/10W	E7E4E5	R223,224			RK73FB2B271J	CHIP R 270 J 1/8W	
R68 ,69			RK73GB2A103J	CHIP R 10K J 1/10W	K3K4E6	R227,228			RD14BB2C303J	RD 30K J 1/6W	
R68 ,69			RK73GB2A103J	CHIP R 10K J 1/10W	E8E9	R231,232			RD14BB2C101J	RD 100 J 1/6W	
R71			RK73GB2A823J	CHIP R 82K J 1/10W		R251			RK73GB2A472J	CHIP R 4.7K J 1/10W	E7E4E5
R72			RK73GB2A363J	CHIP R 36K J 1/10W		R251			RK73GB2A472J	CHIP R 4.7K J 1/10W	K3K4E6
R73			RK73GB2A104J	CHIP R 100K J 1/10W		R251			RK73GB2A472J	CHIP R 4.7K J 1/10W	E8E9
R101			RD14BB2C241J	RD 240 J 1/6W		R252,253			RD14BB2C472J	RD 4.7K J 1/6W	E7E4E5
R103,104			RK73GB2A102J	CHIP R 1.0K J 1/10W		R252,253			RD14BB2C472J	RD 4.7K J 1/6W	K3K4E6
R105			RK73GB2A471J	CHIP R 470 J 1/10W		R252,253			RD14BB2C472J	RD 4.7K J 1/6W	E8E9
R106			RK73GB2A104J	CHIP R 100K J 1/10W		R254			RK73GB2A472J	CHIP R 4.7K J 1/10W	E7E4E5
R107,108			RK73GB2A222J	CHIP R 2.2K J 1/10W		R254			RK73GB2A472J	CHIP R 4.7K J 1/10W	K3K4E6
R110			RK73GB2A472J	CHIP R 4.7K J 1/10W		R254			RK73GB2A472J	CHIP R 4.7K J 1/10W	E8E9
R113,114			RK73GB2A473J	CHIP R 47K J 1/10W		R255			RK73GB2A333J	CHIP R 33K J 1/10W	
R115			RK73GB2A102J	CHIP R 1.0K J 1/10W		R256			RK73FB2B102J	CHIP R 1.0K J 1/8W	E7E4E5
R116			RK73GB2A103J	CHIP R 10K J 1/10W		R256			RK73FB2B102J	CHIP R 1.0K J 1/8W	K3K4E6
R117			RK73GB2A102J	CHIP R 1.0K J 1/10W		R256			RK73FB2B102J	CHIP R 1.0K J 1/8W	E8E9
R118			RK73GB2A103J	CHIP R 10K J 1/10W		R257			RK73GB2A622J	CHIP R 6.2K J 1/10W	
R119			RK73GB2A473J	CHIP R 47K J 1/10W		R258			RK73GB2A101J	CHIP R 100 J 1/10W	E7E4E5
R121			RK73GB2A222J	CHIP R 2.2K J 1/10W		R258			RK73GB2A101J	CHIP R 100 J 1/10W	K3K4E6
R122			RK73GB2A101J	CHIP R 100 J 1/10W		R258			RK73GB2A101J	CHIP R 100 J 1/10W	E8E9
R123			RK73GB2A102J	CHIP R 1.0K J 1/10W		R258			RK73GB2A221J	CHIP R 220 J 1/10W	MM3
R125			RK73GB2A102J	CHIP R 1.0K J 1/10W		R259			RD14BB2C223J	RD 22K J 1/6W	
R126			RK73GB2A104J	CHIP R 100K J 1/10W		R260			RK73GB2A751J	CHIP R 750 J 1/10W	E7E4E5
R127			RK73GB2A222J	CHIP R 2.2K J 1/10W		R260			RK73GB2A751J	CHIP R 750 J 1/10W	K3K4E6
R128			RK73GB2A225J	CHIP R 2.2M J 1/10W		R260			RK73GB2A751J	CHIP R 750 J 1/10W	E8E9
R129,130			RK73GB2A222J	CHIP R 2.2K J 1/10W		R261			RK73GB2A100J	CHIP R 10 J 1/10W	MM3
R131			RK73GB2A682J	CHIP R 6.8K J 1/10W		R261			RK73GB2A431J	CHIP R 430 J 1/10W	E7E4E5
R132			RK73GB2A222J	CHIP R 2.2K J 1/10W		R261			RK73GB2A431J	CHIP R 430 J 1/10W	K3K4E6
R133			RK73GB2A123J	CHIP R 12K J 1/10W		R261			RK73GB2A431J	CHIP R 430 J 1/10W	E8E9
R135			RK73GB2A473J	CHIP R 47K J 1/10W	K3K4	R263			RK73GB2A184J	CHIP R 180K J 1/10W	E7E4E5
R136			RK73GB2A473J	CHIP R 47K J 1/10W	E6E7E4	R263			RK73GB2A184J	CHIP R 180K J 1/10W	K3K4E6
R136			RK73GB2A473J	CHIP R 47K J 1/10W	E5E8E9	R263			RK73GB2A184J	CHIP R 180K J 1/10W	E8E9
R136,137			RK73GB2A473J	CHIP R 47K J 1/10W	MM3	R263			RK73GB2A432J	CHIP R 4.3K J 1/10W	MM3
R138			RK73GB2A473J	CHIP R 47K J 1/10W	E6E7E4	R264			RK73GB2A473J	CHIP R 47K J 1/10W	
R138			RK73GB2A473J	CHIP R 47K J 1/10W	E5E8E9	R401,402			RD14BB2C100J	RD 10 J 1/6W	MM3
R138,139			RK73GB2A473J	CHIP R 47K J 1/10W	K3K4	R403			RD14BB2C4R7J	RD 4.7 J 1/6W	MM3
R139			RK73GB2A473J	CHIP R 47K J 1/10W	MM3	R404			RD14BB2C101J	RD 100 J 1/6W	MM3
R140			RK73GB2A473J	CHIP R 47K J 1/10W	E6E7E4	R405-409			RD14BB2C472J	RD 4.7K J 1/6W	MM3
R140			RK73GB2A473J	CHIP R 47K J 1/10W	E5E8E9	R410,411			RD14BB2C101J	RD 100 J 1/6W	MM3
R141			RD14BB2C472J	RD 4.7K J 1/6W		R412-415			RK73GB2A104J	CHIP R 100K J 1/10W	MM3
R143			RD14BB2C472J	RD 4.7K J 1/6W		R415			RK73GB2A104J	CHIP R 100K J 1/10W	E7E4E5
R144			RK73GB2A104J	CHIP R 100K J 1/10W		R415			RK73GB2A104J	CHIP R 100K J 1/10W	K3K4E6
R145			RD14BB2C222J	RD 2.2K J 1/6W		R415			RK73GB2A104J	CHIP R 100K J 1/10W	E8E9
R163			RD14BB2C100J	RD 10 J 1/6W		R501			RK73GB2A682J	CHIP R 6.8K J 1/10W	
R164,165			RD14BB2C471J	RD 470 J 1/6W		R502			RK73GB2A222J	CHIP R 2.2K J 1/10W	
R166			RD14BB2C102J	RD 1.0K J 1/6W		R503			RK73EB2E222J	CHIP R 2.2K J 1/4W	
R167			RD14BB2C101J	RD 100 J 1/6W		R505			RK73GB2A102J	CHIP R 1.0K J 1/10W	

PARTS LIST

* New Parts

Parts without **Parts No.** are not supplied.

Les articles non mentionnes dans le **Parts No.** ne sont pas fournis.

Teile ohne **Parts No.** werden nicht geliefert.

ELECTRIC UNIT (X25-9600-xx, X25-9612-7x)

Ref. No.	Add	New	Parts No.	Description	Destination	Ref. No.	Add	New	Parts No.	Description	Destination
R506			RK73GB2A105J	CHIP R 1.0M J 1/10W		D12			AM01Z	DIODE	E7E4E5
R507			RK73GB2A102J	CHIP R 1.0K J 1/10W		D12			AM01Z	DIODE	MM3E6
R521-524			RK73GB2A104J	CHIP R 100K J 1/10W		D12			AM01Z	DIODE	E8E9
R525			RK73GB2A331J	CHIP R 330 J 1/10W		D13			D1F60	DIODE	
R526			RK73GB2A562J	CHIP R 5.6K J 1/10W		D14			AM01Z	DIODE	
R527			RK73GB2A104J	CHIP R 100K J 1/10W		D20			MA4068(N)-M	ZENER DIODE	
R528			RD14BB2C104J	RD 100K J 1/6W		D40			1SS133	DIODE	
R543			RK73GB2A562J	CHIP R 5.6K J 1/10W		D50			DAN202U	DIODE	
R544			RK73GB2A222J	CHIP R 2.2K J 1/10W		D51			MA4082(N)-L	ZENER DIODE	
R545			RK73GB2A432J	CHIP R 4.3K J 1/10W		D70			MA4068(N)-M	ZENER DIODE	
R546			RK73GB2A333J	CHIP R 33K J 1/10W		D101			1SS133	DIODE	
R547			RK73GB2A220J	CHIP R 22 J 1/10W		D103			DA204U	DIODE	
R561			RK73GB2A272J	CHIP R 2.7K J 1/10W		D106			MA4062-L	ZENER DIODE	
R563,564			RK73GB2A103J	CHIP R 10K J 1/10W		D107			MA3062WA	ZENER DIODE	
R565			RK73GB2A104J	CHIP R 100K J 1/10W		D108			MA4062-L	ZENER DIODE	MM3
R566,567			RK73GB2A102J	CHIP R 1.0K J 1/10W		D110			HZS12A2	ZENER DIODE	
R581			RK73GB2A102J	CHIP R 1.0K J 1/10W		D201,202			MA4068(N)-M	ZENER DIODE	
W156,157			R92-2053-05	CHIP R 0 J 1/8W		D251-253			1SS133	DIODE	
W158			R92-1252-05	CHIP R 0 OHM J 1/16W		D261-263			AM01Z	DIODE	MM3
W160			R92-2052-05	CHIP R 0 OHM J 1/10W	K3K4	D264			D1F60	DIODE	MM3
W161,162			R92-2053-05	CHIP R 0 J 1/8W		D264			S1J	DIODE	MM3
W165			R92-2053-05	CHIP R 0 J 1/8W		D265,266			AM01Z	DIODE	MM3
W405,406			R92-1252-05	CHIP R 0 OHM J 1/16W	MM3	D267,268			D1F60	DIODE	MM3
W409			R92-1252-05	CHIP R 0 OHM J 1/16W	MM3	D267,268			S1J	DIODE	MM3
W410			R92-1252-05	CHIP R 0 OHM J 1/16W	E6E7E4	D401,402			MA4068(N)-M	ZENER DIODE	MM3
W410			R92-1252-05	CHIP R 0 OHM J 1/16W	E5E8E9	D403-405			MA4062-L	ZENER DIODE	MM3
W415			R92-2053-05	CHIP R 0 J 1/8W		D407-410			MA4062-L	ZENER DIODE	MM3
W500,501			R92-1252-05	CHIP R 0 OHM J 1/16W		D411			MA3062WA	ZENER DIODE	MM3
W504,505			R92-1252-05	CHIP R 0 OHM J 1/16W		D501			RN739F	DIODE	
W506			R92-2053-05	CHIP R 0 J 1/8W		D503			RN739F	DIODE	
W507			R92-1252-05	CHIP R 0 OHM J 1/16W		D504-506		*	KV1720S	VARIABLE CAPACITANCE DIODE	K3K4M
W508			R92-2053-05	CHIP R 0 J 1/8W		D504-506		*	KV1720S	VARIABLE CAPACITANCE DIODE	M3E6E7
W509			R92-1252-05	CHIP R 0 OHM J 1/16W		D504-506		*	KV1720S	VARIABLE CAPACITANCE DIODE	E8E9
W510			R92-2053-05	CHIP R 0 J 1/8W		D504-506		*	KV1735S	VARIABLE CAPACITANCE DIODE	E4E5
W511			R92-1252-05	CHIP R 0 OHM J 1/16W		IC1		*	UPD780058GC499	MI-COM IC	E7E8E9
W516			R92-1252-05	CHIP R 0 OHM J 1/16W		IC1		*	UPD780058GC499	MI-COM IC	MM3E6
W517			R92-2053-05	CHIP R 0 J 1/8W		IC1		*	UPD780058GC501	MI-COM IC	K3K4
W519			R92-2053-05	CHIP R 0 J 1/8W		IC1		*	UPD780058GC503	MI-COM IC	E4E5
W521			R92-1252-05	CHIP R 0 OHM J 1/16W		IC4			TDA7386	ANALOGUE IC	E7E4E5
W523,524			R92-1252-05	CHIP R 0 OHM J 1/16W		IC4			TDA7386	ANALOGUE IC	K3K4E6
W530			R92-2053-05	CHIP R 0 J 1/8W		IC4			TDA7386	ANALOGUE IC	E8E9
W531,532			R92-1252-05	CHIP R 0 OHM J 1/16W		IC4			TDA7560	ANALOGUE IC	MM3
W533			R92-2053-05	CHIP R 0 J 1/8W		IC7			BA4911-V4	ANALOGUE IC	
W534			R92-1252-05	CHIP R 0 OHM J 1/16W		IC8			HD74HC27FP	MOS-IC	
W578			R92-1252-05	CHIP R 0 OHM J 1/16W	E6E7E4	IC10		*	TDA7513	ANALOGUE IC	
W578			R92-1252-05	CHIP R 0 OHM J 1/16W	E5E8E9	IC11		*	PST3435UL	MOS-IC	
W601			R92-1252-05	CHIP R 0 OHM J 1/16W		IC12			BR24C01AF-W	MEMORY IC	
D1			S2V20*A	DIODE		IC12		*	M24C01-WMN6T	MEMORY IC	
D1			1N5393G-M6	DIODE		IC12		*	S-24CS02AFJ-TB	MEMORY IC	
D3			IMS-A-6801	SURGE ABSORBER		Q10			2SC4081	TRANSISTOR	
D10			MA4068(N)-M	ZENER DIODE		Q20			2SC4081	TRANSISTOR	
D11			D1F60	DIODE	E7E4E5	Q40			DTA124EUA	DIGITAL TRANSISTOR	
D11			D1F60	DIODE	MM3E6	Q50			2SA1036K	TRANSISTOR	
D11			D1F60	DIODE	E8E9	Q51			UMC2N	TRANSISTOR	
D11			D1F60	DIODE		Q53			UMC2N	TRANSISTOR	MM3

K3 : KDC-222 **K4** : KDC-222S **E4** : KDC-2094YA **E5** : KDC-2094YG
E6 : KDC-2024SA **E7** : KDC-2024SG **E8** : KDC-2024SYA **E9** : KDC-2024SYG
M : KDC-2023 **M3** : KDC-3023

△ indicates safety critical components.

PARTS LIST

* New Parts

Parts without **Parts No.** are not supplied.

Les articles non mentionnes dans le **Parts No.** ne sont pas fournis.

Teile ohne **Parts No.** werden nicht geliefert.

ELECTRIC UNIT (X25-9600-xx, X25-9612-7x)

Ref. No.	A d d	N e w	Parts No.	Description	Dest inati on
Q55			2SD2375	TRANSISTOR	
Q70			2SC4081	TRANSISTOR	
Q101			2SC4081	TRANSISTOR	
Q102			DTA114YUA	DIGITAL TRANSISTOR	
Q223,224			DTC143TUA	DIGITAL TRANSISTOR	
Q251			DTC114YUA	DIGITAL TRANSISTOR	E7E4E5
Q251			DTC114YUA	DIGITAL TRANSISTOR	K3K4E6
Q251			DTC114YUA	DIGITAL TRANSISTOR	E8E9
Q501		*	CPH5905	TRANSISTOR	
Q502			3SK126	FET	
TH1			PTH9C42BE471Q	POSITIVE RESISTOR	
CD PLAYER UNIT (X32-5380-00)					
C1			C92-0566-05	CHIP-TAN 10UF 6.3VWV	
C2			CK73FB1A225K	CHIP C 2.2UF K	
C3			CK73GB0J105K	CHIP C 1.0UF K	
C5			CC73GCH1H020C	CHIP C 2.0PF C	
C6			CC73GCH1H390J	CHIP C 39PF J	
C7			CK73GB1C104K	CHIP C 0.10UF K	
C8			CK73GB0J105K	CHIP C 1.0UF K	
C9			CK73GB1H472K	CHIP C 4700PF K	
C10			CK73GB1C333K	CHIP C 0.033UF K	
C11			CK73GB1H682K	CHIP C 6800PF K	
C12			CK73GB1H332K	CHIP C 3300PF K	
C13			CC73GCH1H271J	CHIP C 270PF J	
C14			CK73GB1H472K	CHIP C 4700PF K	
C15			CK73GB1H222K	CHIP C 2200PF K	
C16			CC73GCH1H331J	CHIP C 330PF J	
C17,18			CK73GB1C104K	CHIP C 0.10UF K	
C31-34			CK73GB1C104K	CHIP C 0.10UF K	
C36			CK73FB1A225K	CHIP C 2.2UF K	
C37-39			CK73GB1H103K	CHIP C 0.010UF K	
C40			CK73GB1H153K	CHIP C 0.015UF K	
C41			CK73GB1H102K	CHIP C 1000PF K	
C42			CK73GB1E473K	CHIP C 0.047UF K	
C43			CK73GB1H222K	CHIP C 2200PF K	
C44			CK73GB1H102K	CHIP C 1000PF K	
C45-47			CK73GB1C104K	CHIP C 0.10UF K	
C48			CK73GB1H682K	CHIP C 6800PF K	
C49			CK73GB1H152K	CHIP C 1500PF K	
C50			CK73GB1H682K	CHIP C 6800PF K	
C51			CK73GB1H152K	CHIP C 1500PF K	
C52			CK73GB1C104K	CHIP C 0.10UF K	
C61			CK73FB1A225K	CHIP C 2.2UF K	
C69-72			CK73GB1H222K	CHIP C 2200PF K	
C75,76			CK73GB1H682K	CHIP C 6800PF K	
C100-102			CK73GB1H102K	CHIP C 1000PF K	
CN1			E40-9536-05	FLAT CABLE CONNECTOR	
CN1			E41-0193-05	FLAT CABLE CONNECTOR	
CN2			E40-9339-05	FLAT CABLE CONNECTOR	
CN2			E41-0129-05	FLAT CABLE CONNECTOR	
X1			L78-0851-05	RESONATOR (16.93MHZ)	
CP1			R90-1019-05	MULTI-COMP 100 X2	
CP2			R90-1014-05	MULTI-COMP 100 X4	

Ref. No.	A d d	N e w	Parts No.	Description	Dest inati on
CP3,4			R90-0974-05	MULT R 1.8K X4	
CP5			R90-0720-05	MULTI-COMP 100K X4	
R1		*	RK73GB2A910J	CHIP R 91 J 1/10W	
R2,3			RK73GB2A562J	CHIP R 5.6K J 1/10W	
R4			RK73FB2B100J	CHIP R 10 J 1/8W	
R5,6			RK73GB2A332J	CHIP R 3.3K J 1/10W	
R7			RK73GB2A362J	CHIP R 3.6K J 1/10W	
R8			RK73GB2A273J	CHIP R 27K J 1/10W	
R9			RK73GB2A392J	CHIP R 3.9K J 1/10W	
R10			RK73GB2A104J	CHIP R 100K J 1/10W	
R11			RK73GB2A333J	CHIP R 33K J 1/10W	
R12			RK73GB2A244J	CHIP R 240K J 1/10W	
R13			RK73GB2A914J	CHIP R 910K J 1/10W	
R14			RK73GB2A104J	CHIP R 100K J 1/10W	
R15			RK73GB2A472J	CHIP R 4.7K J 1/10W	
R31			RK73GB2A273J	CHIP R 27K J 1/10W	
R32			RK73GB2A103J	CHIP R 10K J 1/10W	
R33			RK73GB2A183J	CHIP R 18K J 1/10W	
R34			RK73GB2A103J	CHIP R 10K J 1/10W	
R35			RK73GB2A393J	CHIP R 39K J 1/10W	
R36			RK73GB2A103J	CHIP R 10K J 1/10W	
R37			RK73GB2A622J	CHIP R 6.2K J 1/10W	
R38			RK73GB2A224J	CHIP R 220K J 1/10W	
R39			RK73GB2A104J	CHIP R 100K J 1/10W	
R40			RK73GB2A821J	CHIP R 820 J 1/10W	
R41			RK73GB2A473J	CHIP R 47K J 1/10W	
R42			RK73GB2A472J	CHIP R 4.7K J 1/10W	
R43			RK73GB2A102J	CHIP R 1.0K J 1/10W	
R44,45			RK73GB2A103J	CHIP R 10K J 1/10W	
R46			RK73GB2A273J	CHIP R 27K J 1/10W	
R47			RK73GB2A222J	CHIP R 2.2K J 1/10W	
R48			RK73GB2A103J	CHIP R 10K J 1/10W	
R49			RK73GB2A393J	CHIP R 39K J 1/10W	
R50			RK73GB2A392J	CHIP R 3.9K J 1/10W	
R51			RK73GB2A103J	CHIP R 10K J 1/10W	
R52,53			RK73GB2A472J	CHIP R 4.7K J 1/10W	
R71			RK73GB2A133J	CHIP R 13K J 1/10W	
R72			RK73FB2B201J	CHIP R 200 J 1/8W	
R81,82			RK73FB2B331J	CHIP R 330 J 1/8W	
R85,86			RK73FB2B331J	CHIP R 330 J 1/8W	
R87,88			RK73FB2B101J	CHIP R 100 J 1/8W	
R93			RK73GB2A104J	CHIP R 100K J 1/10W	
R100			RK73GB2A100J	CHIP R 10 J 1/10W	
S1,2			S68-0863-05	PUSH SWITCH	
S3			S68-0862-05	PUSH SWITCH	
D1			DAN202U	DIODE	
D1			MA142WK	DIODE	
D2			MA8051-L	ZENER DIODE	
D3			DA204U	DIODE	
IC1			AN22002AA	ANALOGUE IC	
IC2		*	MN6627771KP	MOS-IC	
IC3			BA5824FP	ANALOGUE IC	
Q1			MCH6101	TRANSISTOR	
Q2			2SA1362(Y)	TRANSISTOR	

PARTS LIST

* New Parts

Parts without **Parts No.** are not supplied.

Les articles non mentionnes dans le **Parts No.** ne sont pas fournis.

Teile ohne **Parts No.** werden nicht geliefert.

CD PLAYER UNIT (X32-5380-00)

Ref. No.	A d d	N e w	Parts No.	Description	Dest inati on
Q3			DTC124EUA	DIGITAL TRANSISTOR	
Q3			UN5212	DIGITAL TRANSISTOR	
Q4			DTA143XUA	DIGITAL TRANSISTOR	
Q5			2SC4081	TRANSISTOR	
Q6			2SA1576A	TRANSISTOR	
CD MECHANISM ASSY (X92-4640-00)					
2	1B		A10-4827-12	CHASSIS	
5	1B		D10-4576-33	ARM ASSY	
8	2A		D10-4579-03	LEVER ASSY	
10	3A		D10-4581-13	ARM	
11	2A		D10-4582-13	ARM	
12	3A		D10-4583-03	ARM	
13	3A		D10-4584-03	ARM	
14	3B		D10-4585-03	ARM	
15	2A		D10-4586-13	SLIDER	
16	3B		D10-4587-22	SLIDER	
17	3B		D10-4588-03	SLIDER	
18	3B		D10-4595-04	ARM	
19	3B		D10-4596-14	ARM	
22	2A		D13-2151-04	GEAR	
23	2B		D13-2152-04	GEAR	
24	3B		D13-2153-04	GEAR	
25	3B		D13-2154-04	GEAR	
26	3B		D13-2155-04	WORM	
27	3B		D13-2156-14	GEAR	
28	3B		D13-2157-04	GEAR	
29	3B		D13-2158-04	GEAR	
30	3B		D13-2168-04	GEAR	
31	3B		D13-2171-04	GEAR	
32	2B		D13-2172-03	RACK (GEAR)	
33	2A		D14-0759-04	ROLLER	
35	2B		D21-2382-04	SHAFT	
36	1A		D23-0954-04	RETAINER	
37	1B		D39-0246-05	DAMPER	
38	2B		G01-3072-04	EXTENSION SPRING	
39	2A		G01-3073-04	TORSION COIL SPRING	
40	2A		G01-3074-04	EXTENSION SPRING	
41	1B		G01-3075-04	EXTENSION SPRING	
42	2A		G01-3076-04	EXTENSION SPRING	
43	1B		G01-3077-04	EXTENSION SPRING	
44	2B		G02-1399-04	FLAT SPRING	
45	2B		G02-1408-04	FLAT SPRING	
51	1A		J21-9676-22	MOUNTING HARDWARE	
52	3B		J21-9677-02	MOUNTING HARDWARE	
53	1B		J21-9678-03	MOUNTING HARDWARE	
55	1A		J90-1001-11	GUIDE	
56	1B		J90-1023-03	GUIDE	
A	2B		N09-4460-05	TAPTITE SCREW (OVAL P TAPTIT)	
B	1B		N09-4472-05	MACHINE SCREW (M1.7X8.5)	
C	2B		N09-6004-05	MACHINE SCREW (M1.7X2.5 IB-L)	
E	2B		N09-6007-05	MACHINE SCREW (PAN M2X2)	
F	1A		N09-6051-05	TAPTITE SCREW (BIND P≠ 2X5)	
G	2A		N19-2163-04	FLAT WASHER	

Ref. No.	A d d	N e w	Parts No.	Description	Dest inati on
H	1B		N39-2020-46	PAN HEAD MACHIN SCREW	
J	1B		N09-6108-05	MACHINE SCREW (M2*3.5TYPE3)	
DM1	3B		T42-1066-04	DC MOTOR ASSY (SP)	
DM2	2B		T42-1067-04	DC MOTOR ASSY (LO)	
DPU1	2D	*	X93-2010-00	OPTICAL PICKUP ASSY	

KDC-2023, 2024A/SG/SYA/SYG, 2094YA/YG, 222/S,3023

SPECIFICATIONS

		KDC-222/222S	KDC-2024SA/SG/SYA/SYG KDC-2094YA/YG	KDC-2023,3023
FM	Frequency Range	-	65MHz-74MHz	87.5MHz-108.0MHz
	Frequency Step	-	30kHz	50kHz
	Frequency Range	87.9MHz-107.9MHz	87.5MHz-108.0MHz	87.9MHz-107.9MHz
	Frequency Step	200kHz	50kHz	200kHz
	Channel Space Selection	50k/200kHz	-	50k/200kHz
	Usable Sensitivity S/N:30dB	9.3dBf (0.8μV/75Ω)	-	9.3dBf (0.8μV/75Ω)
	Usable Sensitivity (S/N 26dB) 65MHz-74MHz 87.5MHz-108.0MHz	-	1.4μV/75Ω 0.7μV/75Ω	-
	Quieting Sensitivity S/N 50dB	15.2dBf (1.6μV/75Ω)	-	15.2dBf (1.6μV/75Ω)
	Quieting Sensitivity (S/N 46dB) 65MHz-74MHz 87.5MHz-108.0MHz	-	1.4μV/75Ω 1.6μV/75Ω	-
	Frequency Response (±3.0dB)	30Hz-15kHz	30Hz-15kHz	30Hz-15kHz
	SN (dB)	70dB (MONO)	65dB (MONO)	70dB (MONO)
	Selectivity (DIN)(dB)	≥80dB (±400kHz)	≥80dB (±400kHz)	≥80dB (±400kHz)
	Stereo Separation 65MHz-74MHz 87.5MHz-108.0MHz	40dB(1kHz) - -	not specified 35dB (1kHz) -	- - -
AM (MW)	Frequency Range (kHz)	530kHz-1700kHz	531kHz-1611kHz	531kHz-1611kHz,530kHz-1700kHz
	Frequency Step	10kHz	9kHz	9kHz,10kHz
	Channel Space Selection	9k/10kHz	-	9k/10kHz
	Usable Sensitivity S/N:20dB	28dBμ (25μv)	28dBμ (25μv)	28dBμ (25μv)
LW	Frequency Range (kHz)	-	153kHz-281kHz	-
	Frequency Step	-	-	-
	Usable Sensitivity (S/N 20dB)	-	45μv	-
CD	Laser Diode	GaAlAs (λ=780nm)	GaAlAs (λ=780nm)	GaAlAs (λ=780nm)
	Digital Filter (D/A)	8 times Over Sampling	8 times Over Sampling	8 times Over Sampling
	D/A Converter	1 Bit	1 Bit	1 Bit
	Spindle Speed	500-200 (CLV)	500-200 (CLV)	500-200 (CLV)
	Wow & Flutter	Below Mesurable Limit	Below Mesurable Limit	Below Mesurable Limit
	Frequency Respons	10-20kHz	10-20kHz	10-20kHz
	THD	0.01% (1kHz)	0.01% (1kHz)	0.01% (1kHz)
	S/N Ratio (dB)	96dB (1kHz)	96dB (1kHz)	96dB (1kHz)
	Dynamic Range	93dB	93dB	93dB
	Channel Separation	85dB	85dB	85dB
	Preout Level (mV) /Load	2000mV/10kΩ (CD)	2000mV/10kΩ (CD)	2000mV/10kΩ (CD/CD-CH)
Preout Impedance (Ω)	≤600Ω	≤600Ω	≤600Ω	
AMP	Maximum Power	45wx4	45wx4	50wx4
	Full Bandwidth Power (at less than 1% THD)	22wx4	-	22wx4
	Power DIN45324,+B=14.4v	-	28wx4	-
TONE	Bass	100Hz ±10dB	100Hz±10dB	100Hz±10dB
	Middle	1kHz ±10dB	1kHz±10dB	1kHz ±10dB
	Treble	10kHz ±10dB	10kHz±10dB	10kHz±10dB
GENE	Operating voltage (11~16v allowable)	14.4v	14.4v	14.4v
	Current Consumption	10A	10A	10A
	Installation Size (W)	182 (mm) 7-3/16 (in)	182 (mm) 7-3/16 (in)	182 (mm) 7-3/16 (in)
	(H)	53 (mm) 2-1/16 (in)	53 (mm) 2-1/16 (in)	53 (mm) 2-1/16 (in)
	(D)	157 (mm) 6-3/16 (in)	157 (mm) 6-3/16 (in)	157 (mm) 6-3/16 (in)
	Weight	3.1lbs (1.4kg)	3.1lbs (1.4kg)	3.1lbs (1.4kg)

KENWOOD follows a policy of continuous advancements in development. For this reason specifications may be changed without notice.

KENWOOD CORPORATION

2967-3, Ishikawa-machi, Hachioji-shi, Tokyo 192-8525, Japan

KENWOOD USA CORPORATION
P.O. BOX 22745, 2201 East Dominguez Street, Long Beach, CA90801-5745, U.S.A.

KENWOOD ELECTRONICS CANADA INC.
6070 Kestrel Road, Mississauga, Ontario, Canada L5T 1S8

KENWOOD ELECTRONICS LATIN AMERICA S.A.
P.O. Box 55-2791 Paitilla, Plaza Credicorp Bank Panama,
Piso 9, Oficina 901, Calle 50, Panama, Rep. de Panama

KENWOOD ELECTRONICS BRASIL LTDA.
Alameda Ministro Rocha Azevedo No. 456,
Edifício Jaú, 10o Andar, Cerqueira César, Cep 0140-001,
São Paulo-SP-Brasil

KENWOOD ELECTRONICS UK LIMITED
Kenwood House, Dwight Road, Watford, Herts, WD18 9EB, United Kingdom

KENWOOD ELECTRONICS DEUTSCHLAND GMBH
Rembrücker-Str. 15, 63150 Heusenstamm, Germany

KENWOOD ELECTRONICS FRANCE S.A.
13, Boulevard Ney, 75018 Paris, France

KENWOOD ELECTRONICS BELGIUM N.V.
Leuvensesteenweg 248 J, 1800 Vilvoorde, Belgium

KENWOOD ELECTRONICS ITALIA S.p.A.
Via G. Sirtori 7/9, 20129 Milano, Italy

KENWOOD IBÉRICA S.A.
Bolivia, 239-08020 Barcelona, Spain

KENWOOD ELECTRONICS AUSTRALIA PTY. LTD. (A.C.N. 001 499 074)
16 Giffnock Avenue, Centrecourt Estate, North Ryde,
N.S.W. 2113, Australia

KENWOOD ELECTRONICS (HONG KONG) LTD.
Unit 3712-3724, Level 37, Tower 1, Metroplaza, 223 Hing Fong Road, Kwai Fong, N.T.,
Hong Kong

KENWOOD ELECTRONICS GULF FZE
P.O. Box 61318, Jebel Ali, Dubai, U.A.E.

KENWOOD ELECTRONICS (THAILAND) CO., LTD.
2019 New Pechburi Road, Bangkok, Huaykwang, Bangkok, 10320 Thailand

KENWOOD ELECTRONICS SINGAPORE PTE. LTD.
1 Genting Lane, #07-00, Kenwood Building, Singapore, 349544

KENWOOD ELECTRONICS (MALAYSIA) SDN BHD
#4.01 Level 4, Wisma Academy Lot 4A, Jalan 19/1, 46300 Petaling Jaya, Selangor Darul Ehsan,
Malaysia