

# JVC

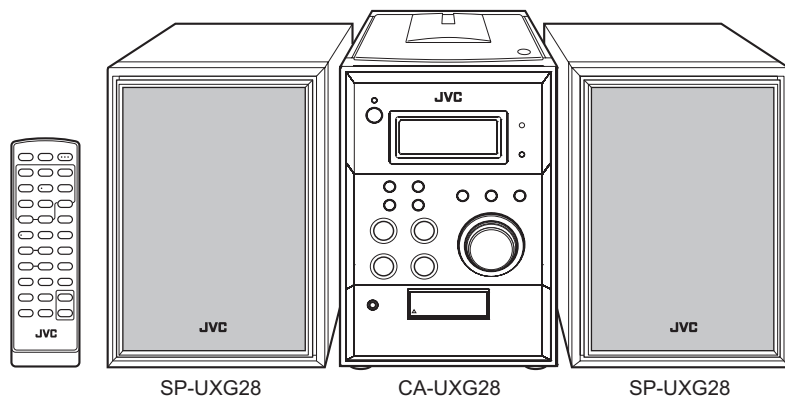
## SERVICE MANUAL

MICRO COMPONENT SYSTEM

### UX-G28B, UX-G28E, UX-G28EN, UX-G28EV

#### SERVICE POLICY

No service part is available for this model.  
Exchange only.



**MP3/WMA Radio Data System**



EV only

Lead free solder used in the board (material : Sn-Ag-Cu, melting point : 219 Centigrade)

#### TABLE OF CONTENTS

1	PRECAUTION .....	1-3
2	SPECIFIC SERVICE INSTRUCTIONS .....	1-6
3	DISASSEMBLY .....	1-7
4	ADJUSTMENT .....	1-12
5	TROUBLESHOOTING .....	1-13

## SPECIFICATION

Amplifier section	Output Power	8 W per channel min. RMS driven into 4 $\Omega$ at 1 kHz with no more than 10% total harmonic distortion. (IEC268-3)
	Speakers/Impedance	4 $\Omega$ - 8 $\Omega$
Terminals	AUX IN	Input sensitivity/Impedance (250mV/50k $\Omega$ ):USB Ver.2.0 (Full Speed)
	Compatible device	Mass Storage Class
	Compatible File System	FAT16, FAT32
	Bus Power supply	Max 5V/500mA
Tuner section	FM tuning range	87.50 MHz - 108.00 MHz
	AM (MW) tuning range	522 kHz - 1 629 kHz
CD player section	Dynamic range	70 dB
	Signal-to-noise ratio	70 dB
General	Power requirement	AC 230 V , 50 Hz
	Power consumption	32 W (at operation)
		0.7 W (on standby)
	Dimensions (approx.)	144 mm $\times$ 212 mm $\times$ 254 mm (W/H/D)
Mass (approx.)	2.5 kg	
Speakers	Type	1-way Bass reflex
	Speaker units	10 cm cone $\times$ 1
	Impedance	4 $\Omega$
	Dimensions (approx.)	136 mm $\times$ 212 mm $\times$ 178 mm (W/H/D)
	Mass (approx.)	1.3 kg each

Design and specifications are subject to change without notice.

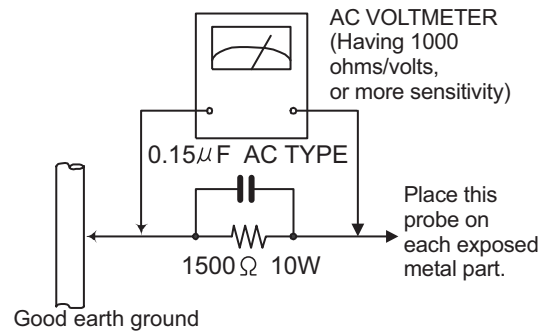
# SECTION 1 PRECAUTION

## 1.1 Safety Precautions

- (1) This design of this product contains special hardware and many circuits and components specially for safety purposes. For continued protection, no changes should be made to the original design unless authorized in writing by the manufacturer. Replacement parts must be identical to those used in the original circuits. Services should be performed by qualified personnel only.
- (2) Alterations of the design or circuitry of the product should not be made. Any design alterations of the product should not be made. Any design alterations or additions will void the manufacturer's warranty and will further relieve the manufacturer of responsibility for personal injury or property damage resulting therefrom.
- (3) Many electrical and mechanical parts in the products have special safety-related characteristics. These characteristics are often not evident from visual inspection nor can the protection afforded by them necessarily be obtained by using replacement components rated for higher voltage, wattage, etc. Replacement parts which have these special safety characteristics are identified in the Parts List of Service Manual. Electrical components having such features are identified by shading on the schematics and by ( $\Delta$ ) on the Parts List in the Service Manual. The use of a substitute replacement which does not have the same safety characteristics as the recommended replacement parts shown in the Parts List of Service Manual may create shock, fire, or other hazards.
- (4) The leads in the products are routed and dressed with ties, clamps, tubings, barriers and the like to be separated from live parts, high temperature parts, moving parts and/or sharp edges for the prevention of electric shock and fire hazard. When service is required, the original lead routing and dress should be observed, and it should be confirmed that they have been returned to normal, after reassembling.
- (5) Leakage shock hazard testing  
After reassembling the product, always perform an isolation check on the exposed metal parts of the product (antenna terminals, knobs, metal cabinet, screw heads, headphone jack, control shafts, etc.) to be sure the product is safe to operate without danger of electrical shock. Do not use a line isolation transformer during this check.
  - Plug the AC line cord directly into the AC outlet. Using a "Leakage Current Tester", measure the leakage current from each exposed metal part of the cabinet, particularly any exposed metal part having a return path to the chassis, to a known good earth ground. Any leakage current must not exceed 0.5mA AC (r.m.s.).
  - Alternate check method  
Plug the AC line cord directly into the AC outlet. Use an AC voltmeter having, 1,000 $\Omega$  per volt or more sensitivity in the following manner. Connect a 1,500 $\Omega$  10W resistor paralleled by a 0.15 $\mu$ F AC-type capacitor between an exposed metal part and a known good earth ground. Measure the AC voltage across the resistor with the AC

voltmeter.

Move the resistor connection to each exposed metal part, particularly any exposed metal part having a return path to the chassis, and measure the AC voltage across the resistor. Now, reverse the plug in the AC outlet and repeat each measurement. Voltage measured any must not exceed 0.75 V AC (r.m.s.). This corresponds to 0.5 mA AC (r.m.s.).



## 1.2 Warning

- (1) This equipment has been designed and manufactured to meet international safety standards.
- (2) It is the legal responsibility of the repairer to ensure that these safety standards are maintained.
- (3) Repairs must be made in accordance with the relevant safety standards.
- (4) It is essential that safety critical components are replaced by approved parts.
- (5) If mains voltage selector is provided, check setting for local voltage.

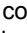
## 1.3 Caution

**Burrs formed during molding may be left over on some parts of the chassis.**  
**Therefore, pay attention to such burrs in the case of pre-forming repair of this system.**

## 1.4 Critical parts for safety

In regard with component parts appearing on the silk-screen printed side (parts side) of the PWB diagrams, the parts that are printed over with black such as the resistor (  $\blacksquare$  ), diode (  $\blacksquare$  ) and ICP (  $\bullet$  ) or identified by the " $\Delta$ " mark nearby are critical for safety. When replacing them, be sure to use the parts of the same type and rating as specified by the manufacturer.  
(This regulation does not Except the J and C version)

## 1.5 Safety Precautions (U.K only)

- (1) This design of this product contains special hardware and many circuits and components specially for safety purposes. For continued protection, no changes should be made to the original design unless authorized in writing by the manufacturer. Replacement parts must be identical to those used in the original circuits.
- (2) Any unauthorised design alterations or additions will void the manufacturer's guarantee; furthermore the manufacturer cannot accept responsibility for personal injury or property damage resulting therefrom.
- (3) Essential safety critical components are identified by (  ) on the Parts List and by shading on the schematics, and must never be replaced by parts other than those listed in the manual. Please note however that many electrical and mechanical parts in the product have special safety related characteristics. These characteristics are often not evident from visual inspection. Parts other than specified by the manufacturer may not have the same safety characteristics as the recommended replacement parts shown in the Parts List of the Service Manual and may create shock, fire, or other hazards.
- (4) The leads in the products are routed and dressed with ties, clamps, tubings, barriers and the like to be separated from live parts, high temperature parts, moving parts and/or sharp edges for the prevention of electric shock and fire hazard. When service is required, the original lead routing and dress should be observed, and it should be confirmed that they have been returned to normal, after re-assembling.

### 1.5.1 Warning

- (1) Service should be performed by qualified personnel only.
- (2) This equipment has been designed and manufactured to meet international safety standards.
- (3) It is the legal responsibility of the repairer to ensure that these safety standards are maintained.
- (4) Repairs must be made in accordance with the relevant safety standards.
- (5) It is essential that safety critical components are replaced by approved parts.
- (6) If mains voltage selector is provided, check setting for local voltage.



**CAUTION** Burrs formed during molding may be left over on some parts of the chassis. Therefore, pay attention to such burrs in the case of preforming repair of this system.

## 1.6 Important for laser products

### 1. CLASS 1 LASER PRODUCT

#### 2. CAUTION :

(For U.S.A.) Visible and/or invisible class II laser radiation when open. Do not stare into beam.

(Others) Visible and/or invisible class 1M laser radiation when open. Do not view directly with optical instruments.

**3. CAUTION :** Visible and/or invisible laser radiation when open and inter lock failed or defeated. Avoid direct exposure to beam.

**4. CAUTION :** This laser product uses visible and/or invisible laser radiation and is equipped with safety switches which prevent emission of radiation when the drawer is open and the safety interlocks have failed or are defeated. It is dangerous to defeat the safety switches.

(For U.S.A.)

**CAUTION :** Visible and/or invisible class II laser radiation when open. Do not stare into beam.

(Others)

**CAUTION :** Visible and/or invisible class 1M laser radiation when open. Do not view directly with optical instruments

**ACHTUNG:** Sichtbare und/oder unsichtbare Laserstrahlung der Klasse 1M bei offenen Abdeckungen. Nicht direkt mit optischen Instrumenten betrachten.

**ATTENTION:** Rayonnement laser visible et/ou invisible de classe 1M une fois ouvert. Ne pas regarder directement avec des instruments optiques.

**VOORZICHTIG:** Zichtbare en/of onzichtbare klasse 1M laserstralen indien geopend. Bekijk niet direct met optische instrumenten.

**ATTENZIONE:** Radiazione laser in classe 1M visibile e/o invisibile quando aperto. Non osservare direttamente con strumenti ottici.

**WARNING:** Synlig och/eller osynlig laserstrålning, klass 1M, när denna del är öppnad. Betrakta ej strålen med optiska instrument.

**VARO!** Avattaessa olet alttiina näkyvälle ja/tai näkymättömälle luokan 1M lasersäteilylle. Älä tarkastele sitä optisen laitteen läpi.

**ADVARSEL:** Synlig og/eller usynlig klasse 1M-laserstråling ved åbning. Se ikke direkte med optiske instrumenter.

**AVISO:** Radiación láser de clase 1M visible y/o invisible cuando está abierto. No mirar directamente con instrumental óptico.

**PRECAUÇÃO:** Radiação laser de classe 1M visível e/ou invisível quando aberto. Não olhe diretamente com instrumentos ópticos.

**5. CAUTION :** If safety switches malfunction, the laser is able to function.

**6. CAUTION :** Use of controls, adjustments or performance of procedures other than those specified here in may result in hazardous radiation exposure.



**CAUTION** Please use enough caution not to see the beam directly or touch it in case of an adjustment or operation check.

**PRECAUÇÃO:** Radiação laser de classe 1M visível e/ou invisível quando aberto. Não olhe diretamente com instrumentos ópticos.

**ПРЕДУПРЕЖДЕНИЕ:** В открытом состоянии происходит видимое и/или невидимое излучение лазера класса 1M. Не смотрите непосредственно в оптические инструменты.

**UWAGA:** Otwarcie spowoduje narażenie na widzialne i/lub niewidzialne promieniowanie lasera klasy 1M. Nie patrzeć bezpośrednio w przyrządy optyczne.

**UPOZORNĚNÍ:** Při otevření vydává viditelné popř. neviditelné laserové ozáření třídy 1M. Nedívejte se do otvoru přímo s optickými nástroji.

**FIGYELMEZTETÉS:** Látható és/vagy láthatatlan 1M osztályú sugárzás nyitott állapotban. Ne nézze közvetlenül optikai műszerekkel.

注意：打開蓋板可能會產生可見或不可見的 1M 級鐳射。不要使用光學儀器直接進行窺視。

注意：打开盖板可能会产生可见或不可见的 1M 级辐射。不要使用光学仪器直接进行窥视。

**تنبيه:** يوجد إشعاع ليزري مرئي و/أو غير مرئي من الفئة 1M عندما يكون الجهاز مفتوحاً. تجنب النظر مباشرة داخل الجهاز باستخدام أدوات بصرية.

احتياط: هنگامی که باز گردد، تشعشع مرئی و یا نامرئی کلاس 1M لیزر وجود دارد. با لوازم چشمی مستقیماً به آن نگاه نکنید.

**주의:** 개방하면 가지 및/또는 비가시 클래스 1M 레이저 방사선이 나옵니다. 광학 기구로 직접 들여다보지 마십시오.

## REPRODUCTION AND POSITION OF LABELS and PRINT WARNING LABEL and PRINT



<b>CAUTION</b> VISIBLE AND/OR INVISIBLE CLASS 1M LASER RADIATION WHEN OPEN. DO NOT VIEW DIRECTLY WITH OPTICAL INSTRUMENTS. IEC60825-1:2001 (ENG)	<b>ATTENTION</b> RAYONNEMENT LASER VISIBLE ET/OU INVISIBLE DE CLASSE 1M UNE FOIS OUVERT. NE PAS REGARDER DIRECTEMENT AVEC DES INSTRUMENTS OPTIQUES. (FRA)	<b>AVISO</b> RADIACIÓN LÁSER DE CLASE 1M VISIBLE Y/O INVISIBLE CUANDO ESTA ABIERTO. NO MIRAR DIRECTAMENTE CON INSTRUMENTAL ÓPTICO. (ESP)	<b>WARNING</b> SYNLIG OCH/ELLER OSYNLIG LASERSTRÅLNING, KLASS 1M, NÄR DENNA DEL ÄR ÖPPNAD. BETRAKTA EJ STRÅLEN MED OPTISKA INSTRUMENT. (SWE)	<b>注意</b> ここを覗くと可視 及び/または不可視 のクラス 1M レーザー放射が 出ます。 光学機器で直接 覗かないでください。 LIPN	<b>CAUTION</b> VISIBLE AND/OR INVISIBLE CLASS I LASER RADIATION WHEN OPEN. DO NOT STARE INTO BEAM. FDA 21 CFR (ENG) LV4803-003A
--	--	---	---	---	---

## **SECTION 2 SPECIFIC SERVICE INSTRUCTIONS**

This service manual does not describe SPECIFIC SERVICE INSTRUCTIONS.

## SECTION 3 DISASSEMBLY

### 3.1 Main body

#### 3.1.1 Removing the REAR COVER (See Fig.1 to 4)

- (1) Remove the two screws **A** attaching the both side of REAR COVER. (See Fig.1)
- (2) Remove the two screws **B** attaching the REAR COVER. (See Fig.2)
- (3) Remove the two screws **C**, two screws **D** and two screws **E** attaching the REAR COVER. (See Fig.3)
- (4) Disconnect the connector wire from MAIN BOARD assembly connected to connector [CN1102](#) of the POWER BOARD assembly. (See Fig.4)

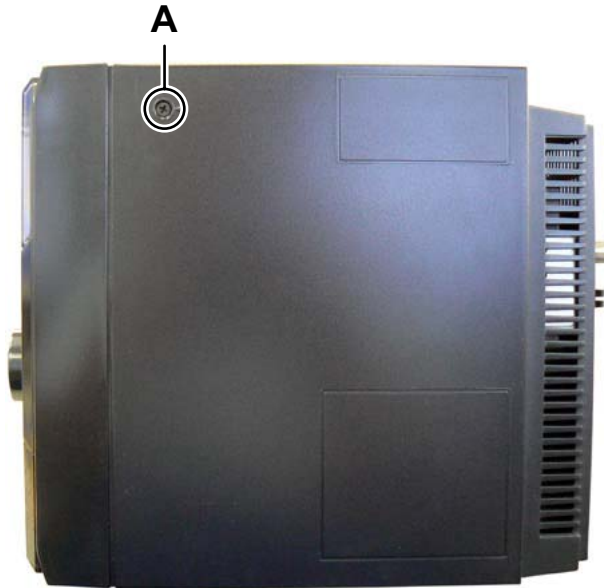


Fig.1

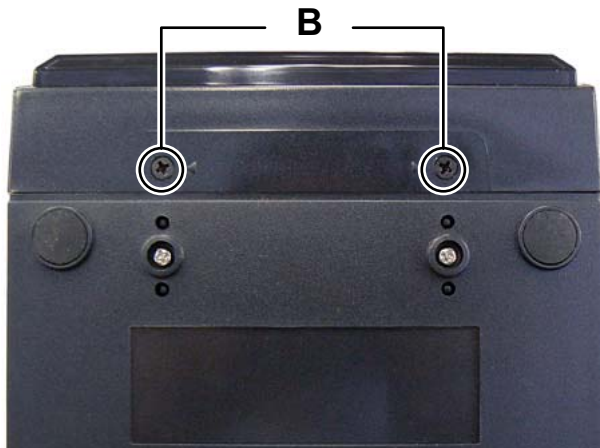


Fig.2

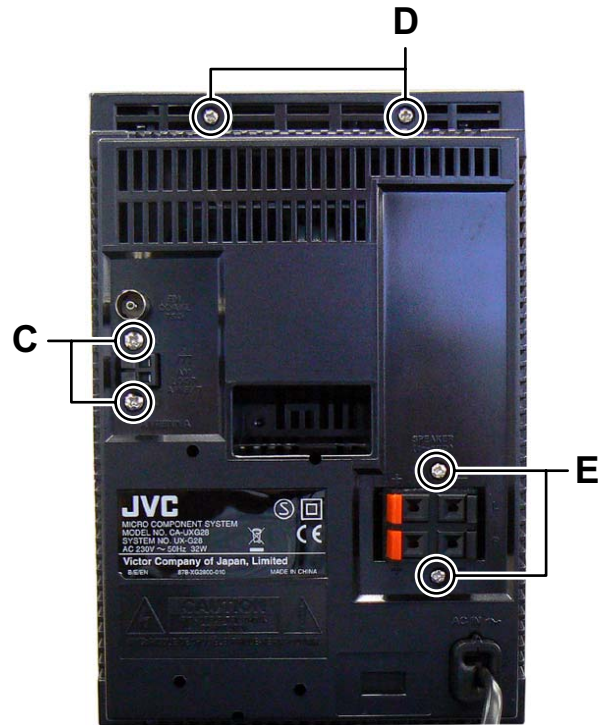


Fig.3

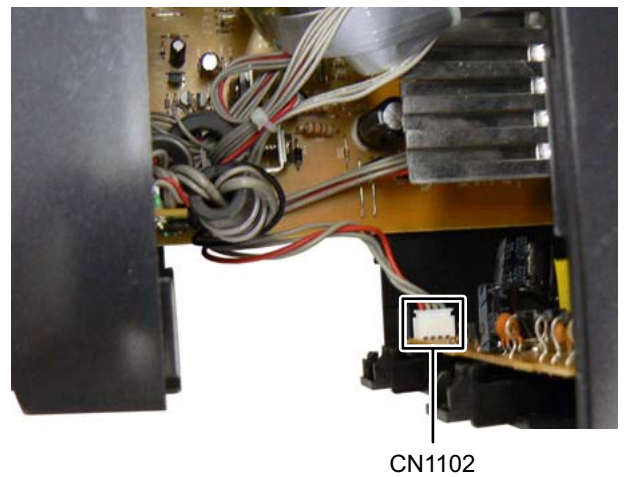
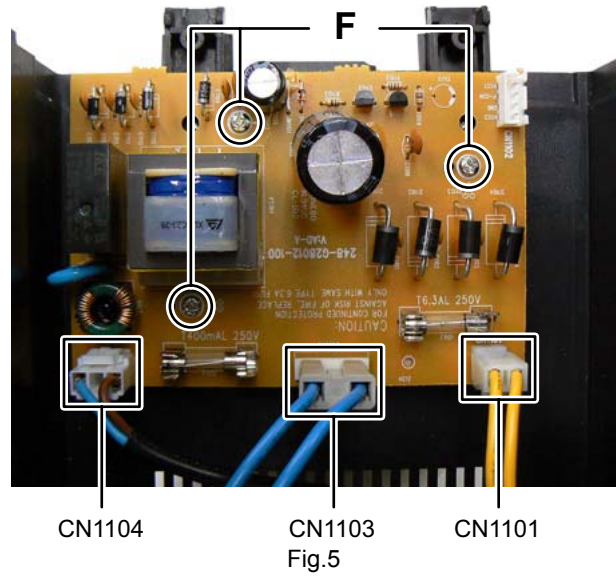


Fig.4



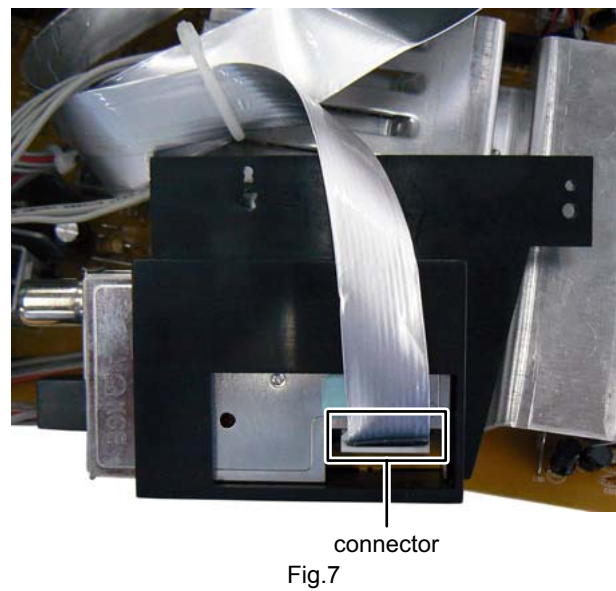
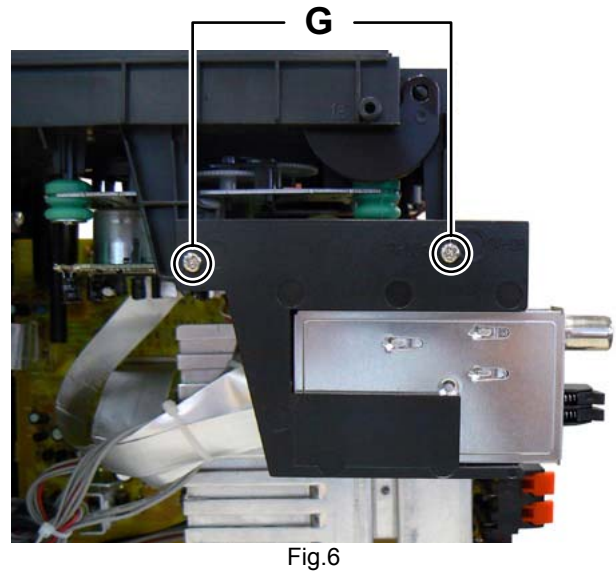
### 3.1.2 Removing the POWER BOARD assembly (See Fig.5)

- (1) Disconnect the connector wire from POWER TRANSFORMER connected to connector [CN1101](#) and [CN1103](#) of the POWER BOARD assembly.
- (2) Disconnect the POWER CORD connected to connector [CN1104](#) of the POWER BOARD assembly.
- (3) Remove the three screws **F** attaching the POWER BOARD assembly.



### 3.1.3 Removing the TUNER PACK (See Fig.6, 7)

- (1) Remove the two screws **G** attaching the TUNER PACK. (See Fig.6)
- (2) Disconnect the card wire from MAIN BOARD assembly connected to connector of TUNER PACK. (See Fig.7)





### 3.1.4 Removing the MAIN BOARD assembly (See Fig.8 to 11)

- (1) Disconnect the card wire from MAIN BOARD assembly connected to connector **CN710** of the CD BOARD assembly. (See Fig.8)
- (2) Disconnect the connector wire from DOOR SWITCH connected to connector **CN404** of the MAIN BOARD assembly. (See Fig.9)
- (3) Disconnect the connector wire from CONTROL BOARD assembly connected to connector **CN403** of the MAIN BOARD assembly. (See Fig.9)
- (4) Disconnect the connector wire from USB BOARD assembly connected to connector **CN302** of the MAIN BOARD assembly. (See Fig.9)
- (5) Remove the two screws **H** attaching the MAIN BOARD assembly. (See Fig.9)
- (6) Disconnect the connector wire from MAIN BOARD assembly connected to connector **CN702** of the CD BOARD assembly. (See Fig.10)
- (7) Remove the solder the soldering earth wire from MAIN BOARD assembly soldering to USB BOARD assembly. (See Fig.11)

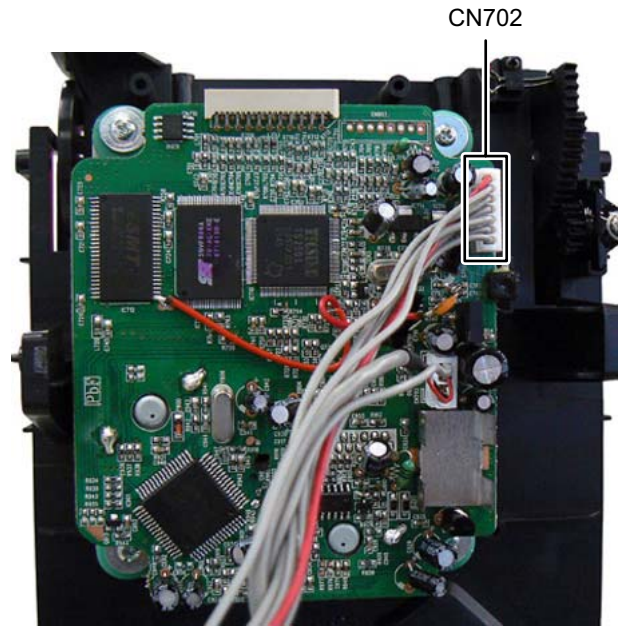


Fig.10

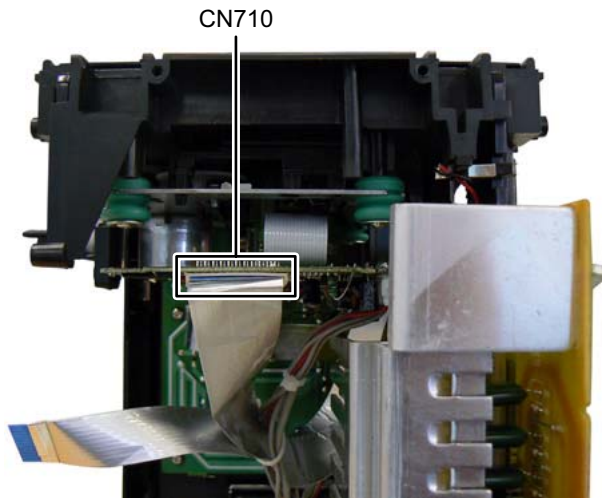


Fig.8

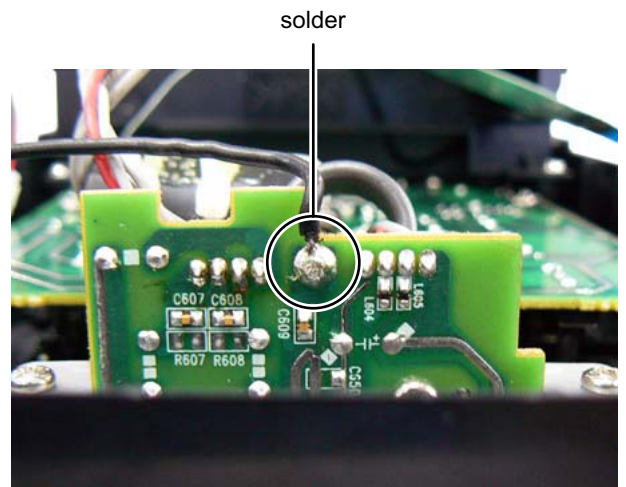


Fig.11

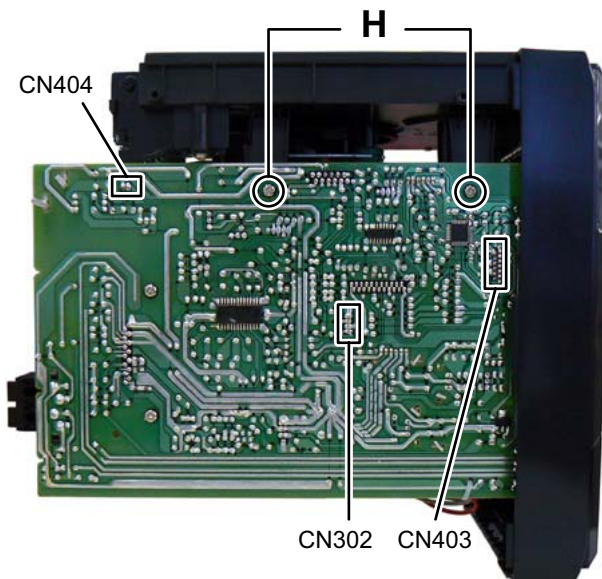
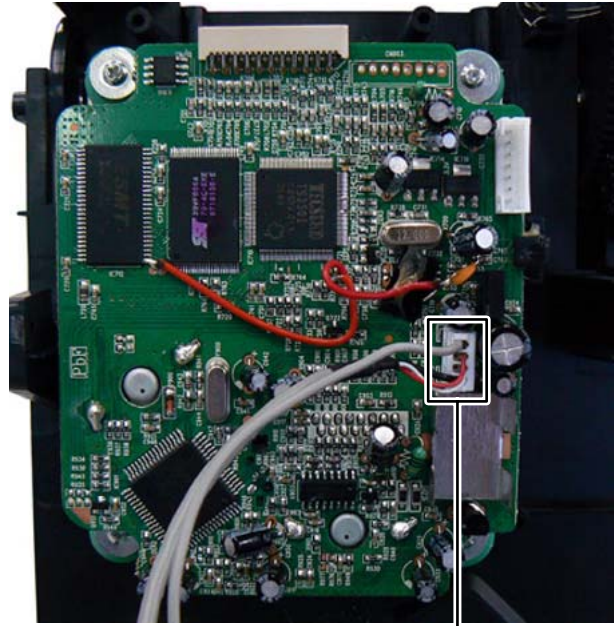


Fig.9

### 3.1.5 Removing the USB BOARD assembly (See Fig.12, 13)

- (1) Disconnect the connector wire from USB BOARD assembly connected to connector [CN703](#) of the CD BOARD assembly. (See Fig.12)
- (2) Remove the two screws **J** attaching the USB BOARD assembly. (See Fig.13)



CN703

Fig.12

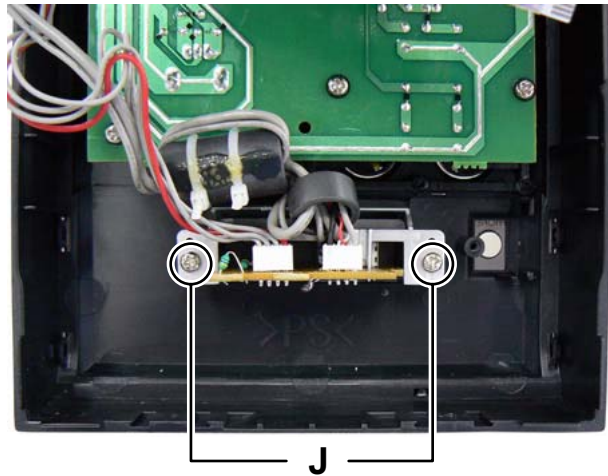


Fig.13

**3.1.6 Removing the CD MECHANISM assembly (See Fig.14)**

- (1) Remove the four screws **K** attaching the CD MECHANISM assembly.

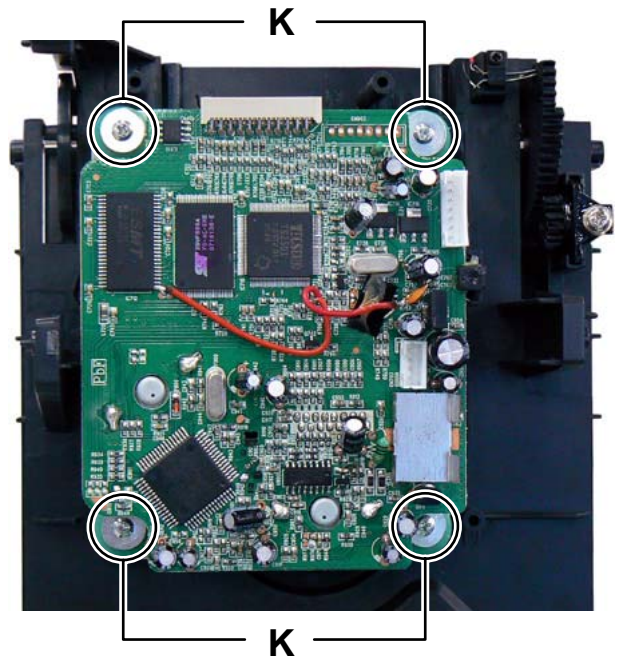


Fig.14

**3.1.7 Removing the CD DOOR assembly (See Fig.15)**

- (1) Remove the two screws **L** attaching the CD DOOR assembly.

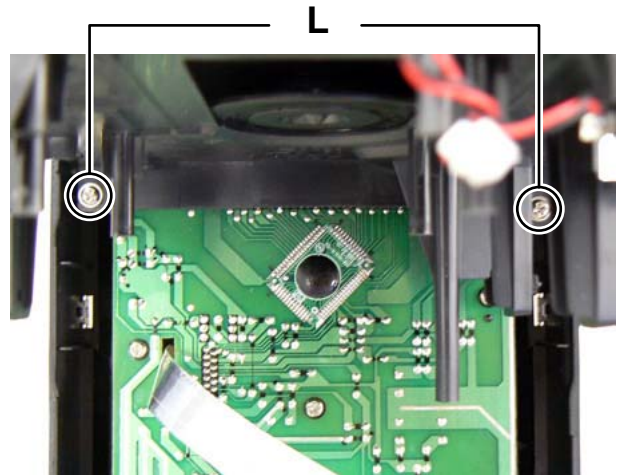


Fig.15

### 3.1.8 Removing the FRONT BOARD assembly (See Fig.16)

- (1) Remove the VOLUME KNOB.
- (2) Remove the eight screws **M** attaching the FRONT BOARD assembly.

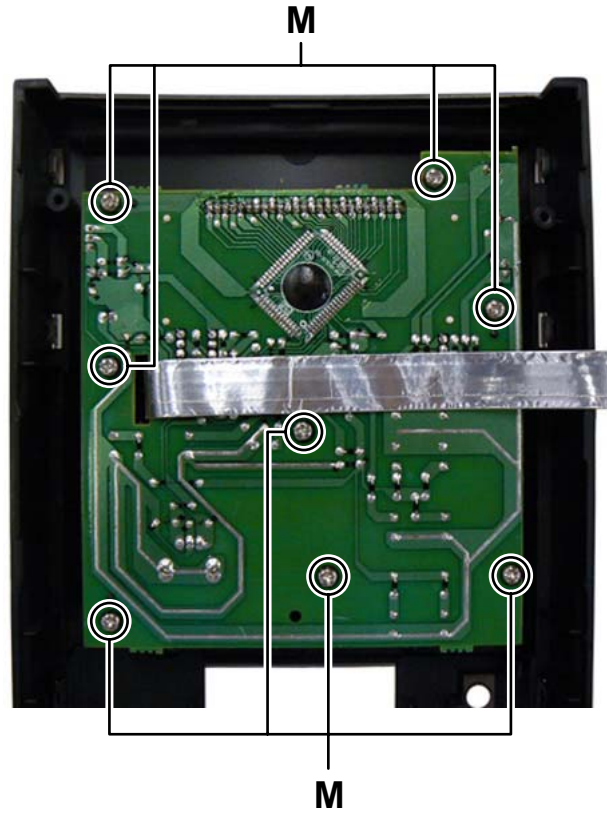


Fig.16

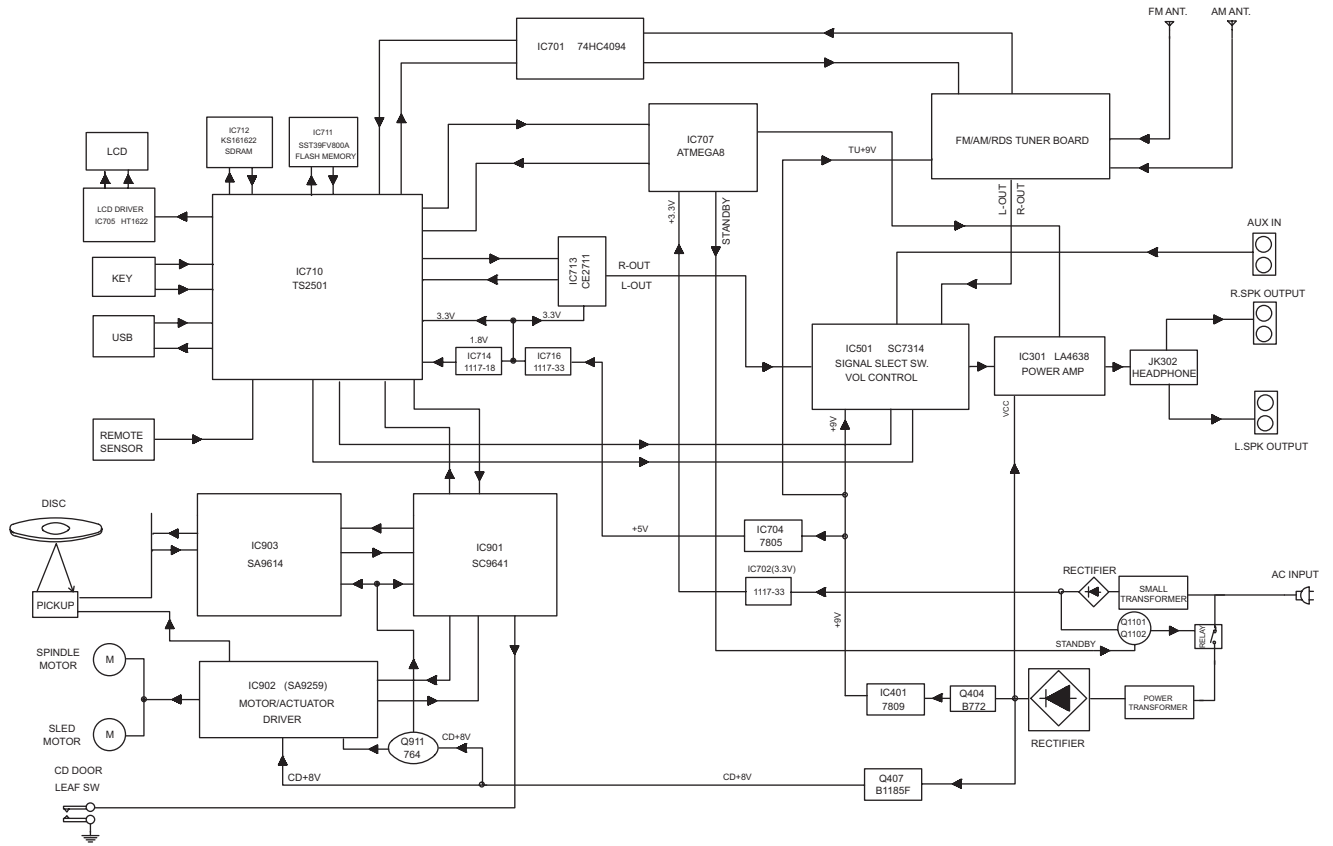
## SECTION 4 ADJUSTMENT

This service manual does not describe ADJUSTMENT.



# SECTION 5 TROUBLESHOOTING

## 5.1 BLOCK DIAGRAM

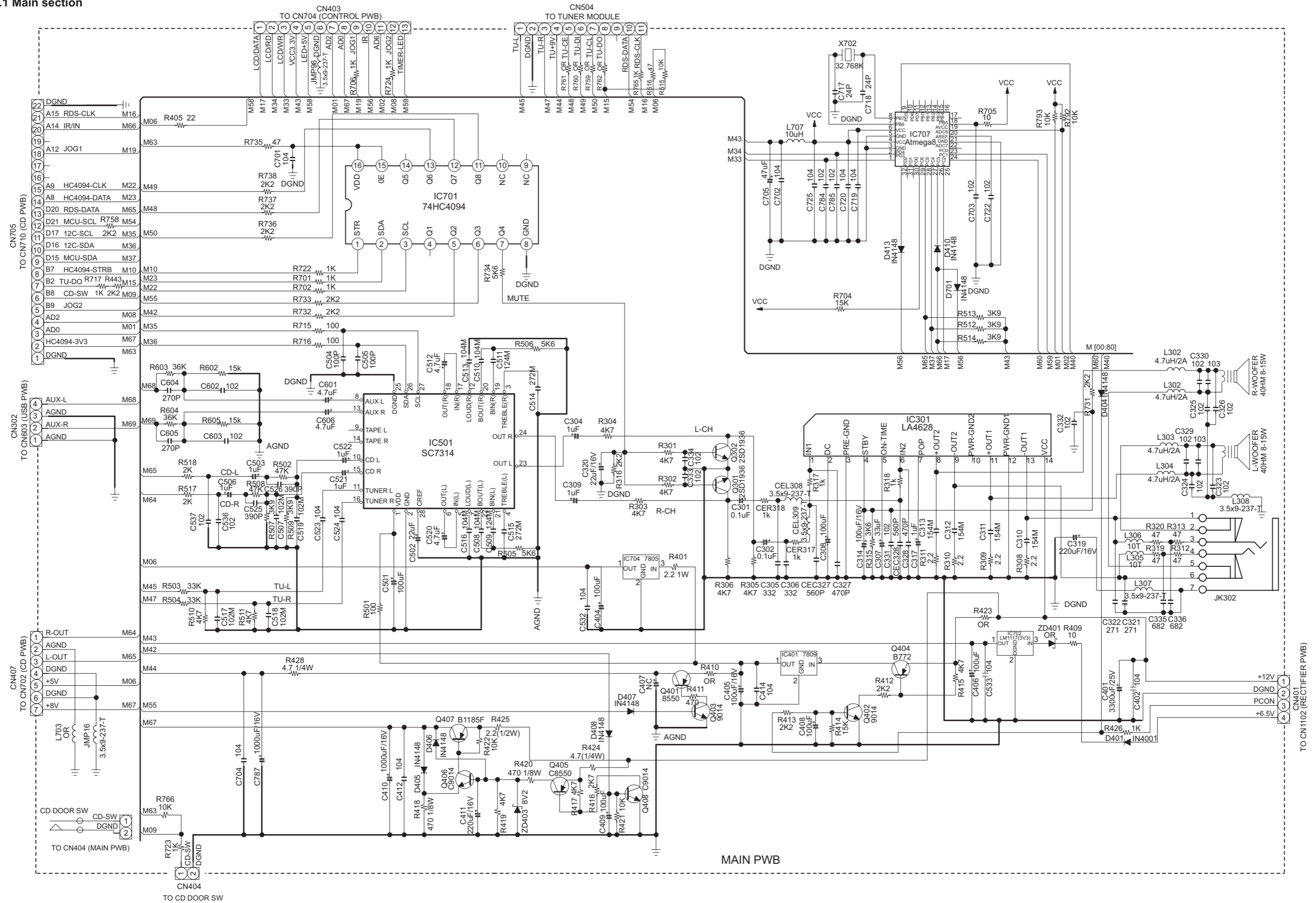


< MEMO >

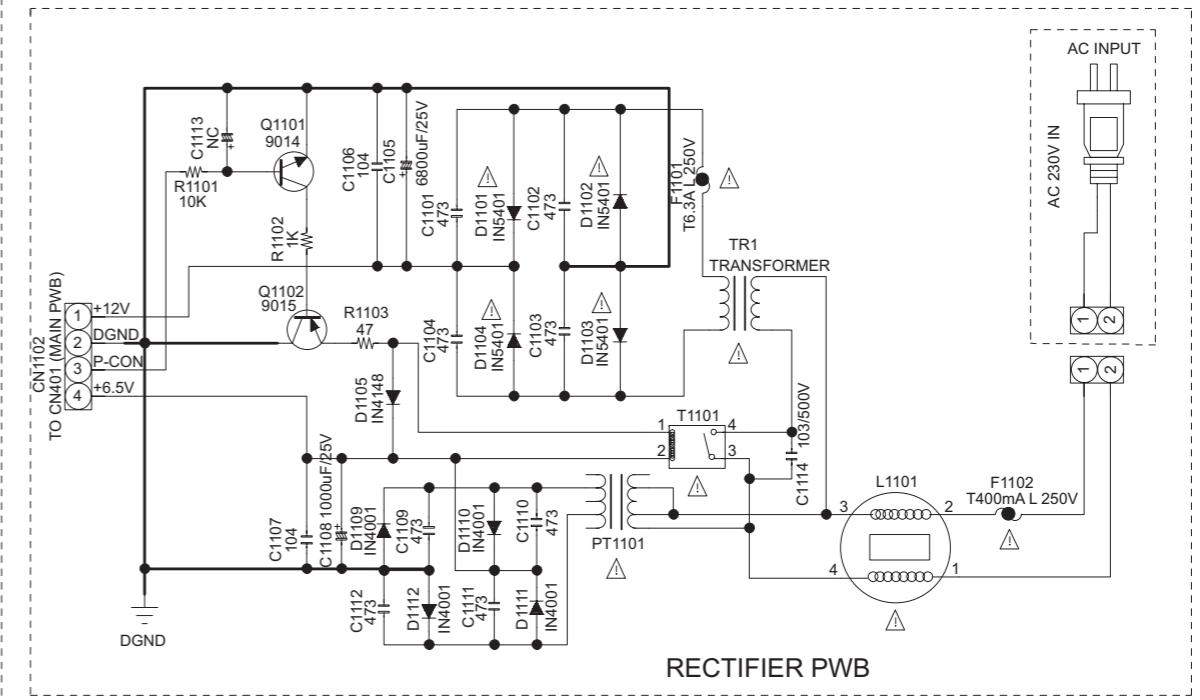
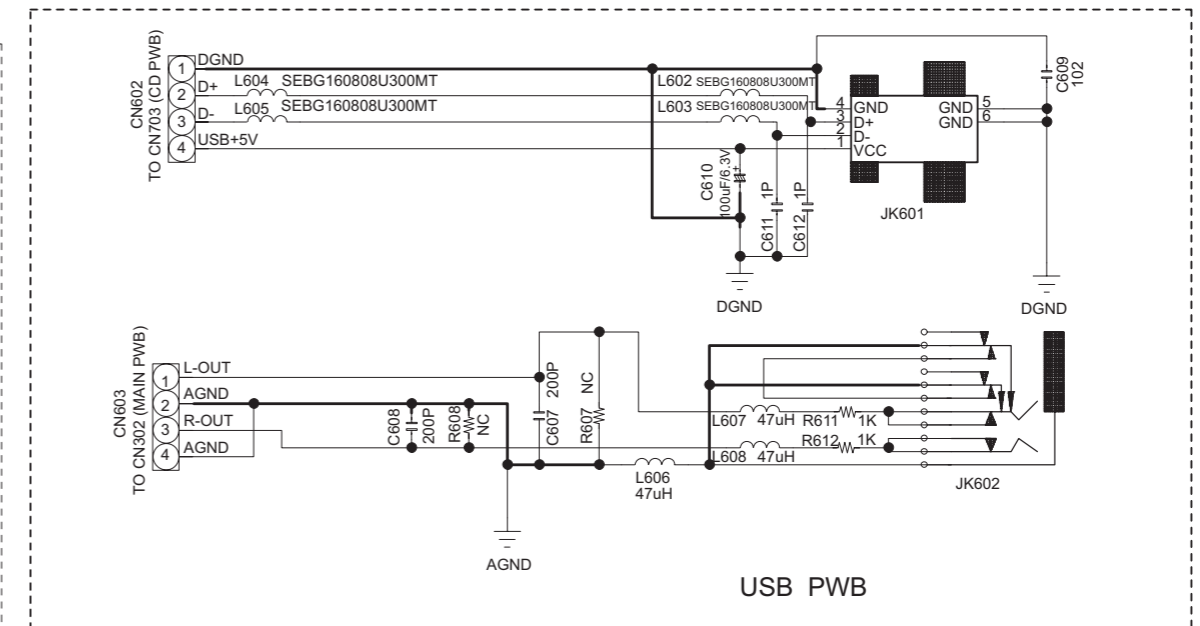
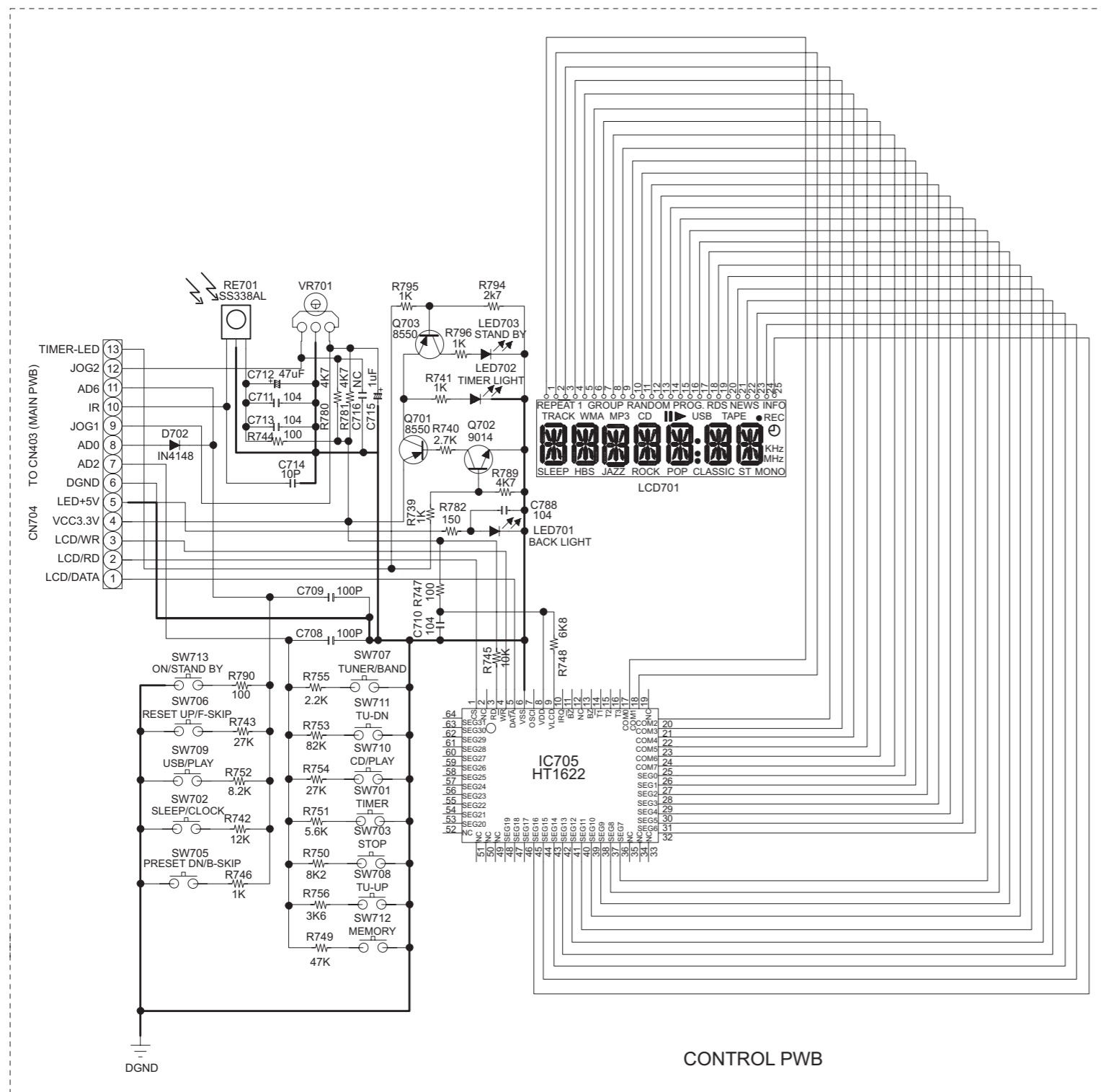


## 5.2 STANDARD SCHEMATIC DIAGRAMS

### 5.2.1 Main section

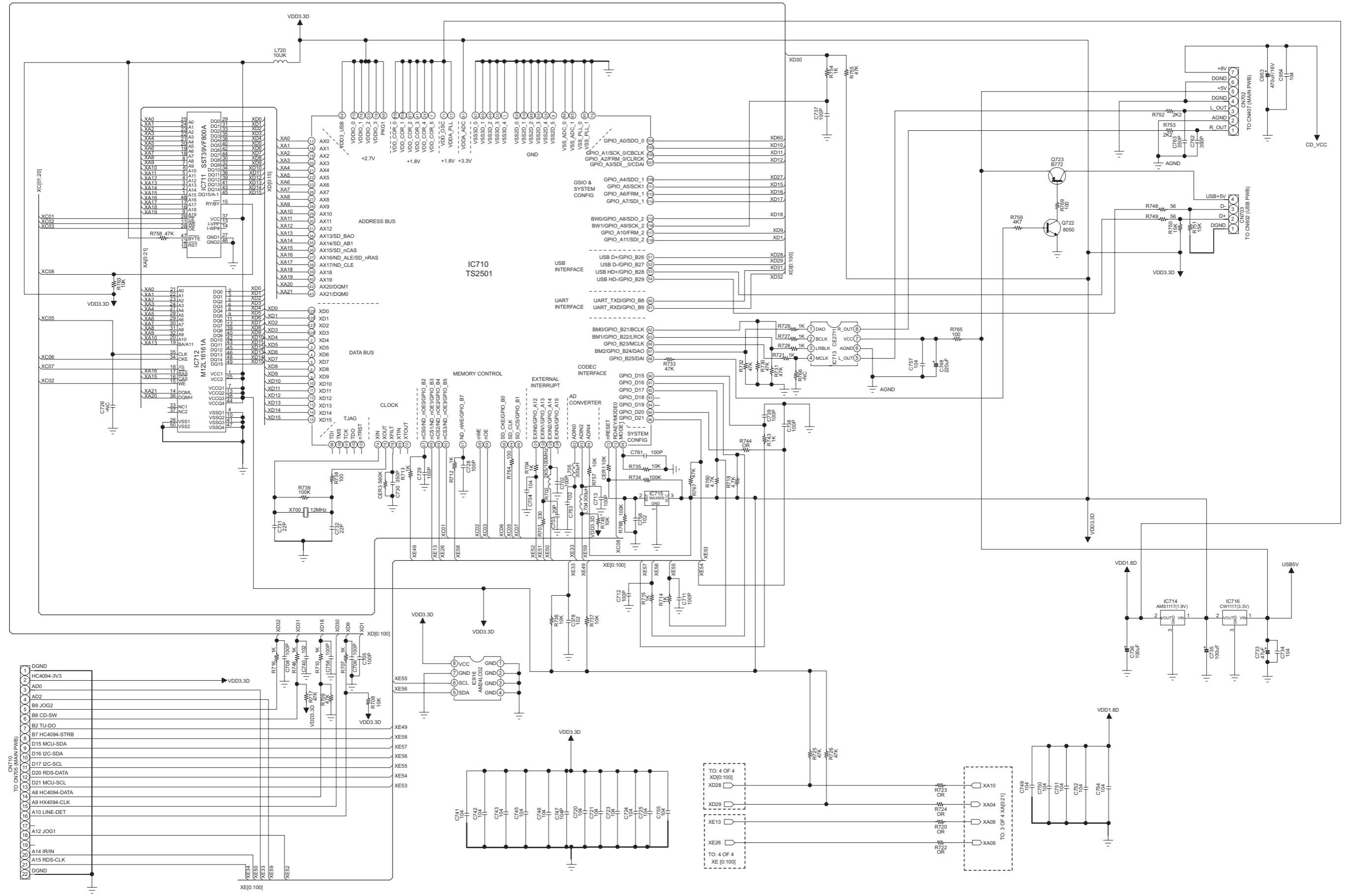


5.2.2 Front section





5.2.4 CD section (2/2)



< MEMO >



# JVC

Victor company of Japan, Limited  
Audio/Video Systems category 10-1,1chome,Ohwatari-machi,Maebashi-city,371-8543,Japan

(No.MB634)



Printed in Japan  
VPT