

# CROWN SERVICE MANUAL

## 3-BAND 8-TRANSISTOR PORTABLE RADIO

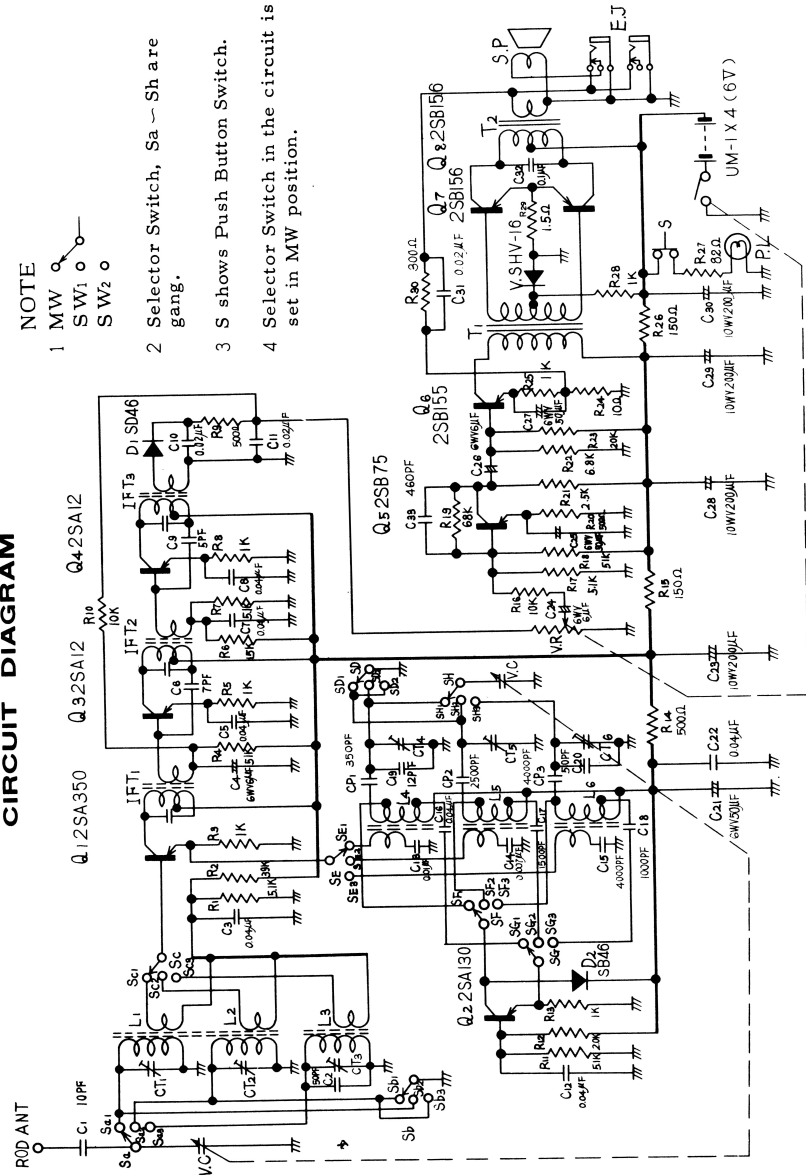
### MODEL HT-88



#### SPECIFICATIONS

<b>TYPE</b>	3-Band Portable Radio													
<b>CIRCUIT SYSTEM</b>	3-Band 8-Transistor 2-Diode Super-Heterodyne													
<b>FREQUENCY RANGE</b>	MW: 525 ± 5KC ~ 1650 ± 30KC	SW1: 2.9 ± 30KC ~ 9.5 ± 0.2MC												
	SW2: 8.9 ± 50KC ~ 19.5 ± 0.2MC													
<b>INTERMEDIATE FREQUENCY</b>	455KC													
<b>SENSITIVITY</b>	MW: <table border="0"><tr><td>620KC</td><td>38DB</td></tr><tr><td>1000KC</td><td>38DB</td></tr><tr><td>1400KC</td><td>38DB</td></tr></table>	620KC	38DB	1000KC	38DB	1400KC	38DB	SW1: <table border="0"><tr><td>3.5MC</td><td>38DB</td></tr><tr><td>6.0MC</td><td>38DB</td></tr><tr><td>7.5MC</td><td>38DB</td></tr></table>	3.5MC	38DB	6.0MC	38DB	7.5MC	38DB
620KC	38DB													
1000KC	38DB													
1400KC	38DB													
3.5MC	38DB													
6.0MC	38DB													
7.5MC	38DB													
	SW2: <table border="0"><tr><td>10MC</td><td>30DB</td></tr><tr><td>14MC</td><td>30DB</td></tr><tr><td>16MC</td><td>30DB</td></tr></table>	10MC	30DB	14MC	30DB	16MC	30DB	Using Dummy Antenna for only SW2						
10MC	30DB													
14MC	30DB													
16MC	30DB													
<b>OUTPUT POWER</b>	Undistorted Max. Output 300mW (at 10% Distortion)													
	Maximum Output 600mW													
<b>MAIN PARTS</b>	<ol style="list-style-type: none"> <li>Transistor                     <ul style="list-style-type: none"> <li>2SA350 Frequency Mixer</li> <li>2SA130 Local Oscillator</li> <li>2SA12 1st Intermediate Frequency Amplifier</li> <li>2SA12 2nd Intermediate Frequency Amplifier</li> <li>2SB75 1st Audio Amplifier</li> <li>2SB115 2nd Audio Amplifier</li> <li>2SB156 x 2 Power Amplifier</li> </ul> </li> <li>Diode                     <ul style="list-style-type: none"> <li>SD46 Detector</li> <li>SD46 Oscillation Voltage Controller</li> </ul> </li> <li>Varistor                     <ul style="list-style-type: none"> <li>HV-16 Temperature Compensation</li> </ul> </li> <li>Speaker                     <ul style="list-style-type: none"> <li>4" φ x 6" (102 x 152m/m) P.D. Speaker</li> </ul> </li> <li>Antenna                     <ul style="list-style-type: none"> <li>10 φ x 160m/m Ferrite Core Antenna</li> </ul> </li> <li>Push Switch                     <ul style="list-style-type: none"> <li>For Pilot Lamp</li> </ul> </li> <li>Band Selector                     <ul style="list-style-type: none"> <li>2 Sections 8 Circuits 3 Positions</li> </ul> </li> </ol>													
<b>MECHANISM</b>	<ol style="list-style-type: none"> <li>Main Tuning Knob</li> <li>Power Switch &amp; Volume Control Knob</li> <li>Band Selector Knob</li> <li>Antenna</li> <li>Cabinet</li> </ol> <p>12-Sections Rod Antenna 75 m/m Unbreakable Cabinet</p>													
<b>DIMENSIONS</b>	10 <sup>5</sup> / <sub>8</sub> " x 6 <sup>5</sup> / <sub>16</sub> " x 2 <sup>3</sup> / <sub>4</sub> " (270 x 160 x 70 m/m)													
<b>WEIGHT</b>	4.6 lbs (2.1Kg) with Batteries													
<b>POWER SOURCE</b>	Battery	UM-1 x 4 (6V)												

#### CIRCUIT DIAGRAM



#### NOTE

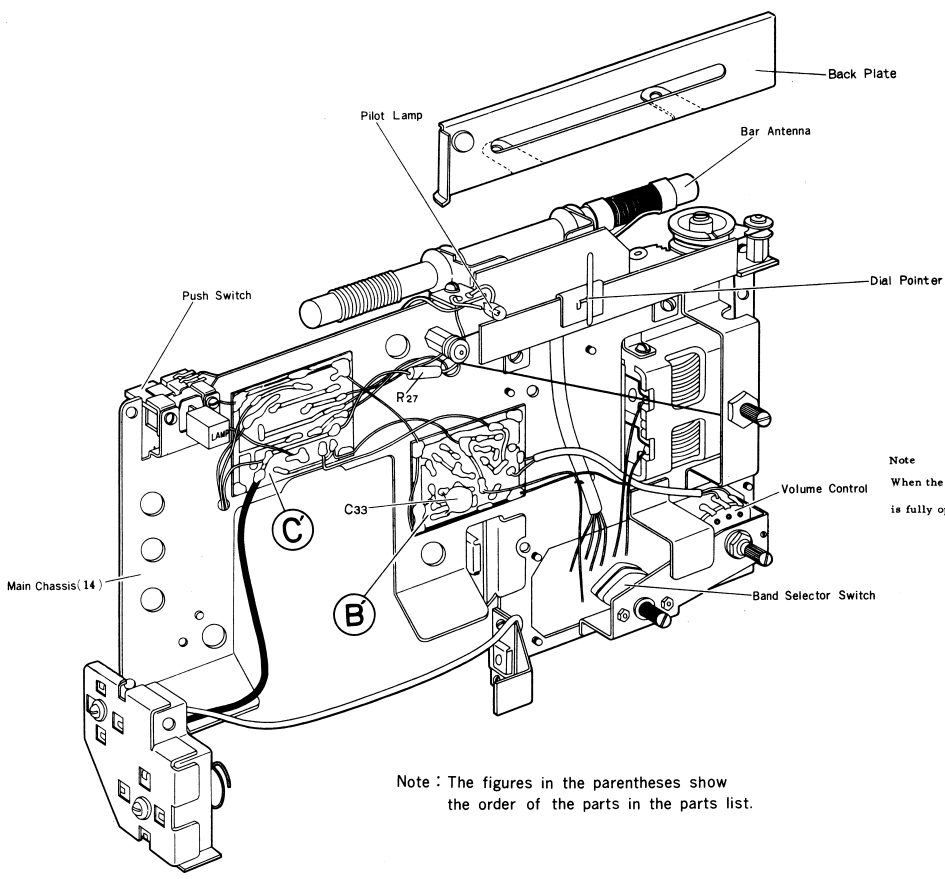
- MW SW1 SW2

- Selector Switch, Sa ~ Sh are gang.
- S shows Push Button Switch.
- Selector Switch in the circuit is set in MW position.



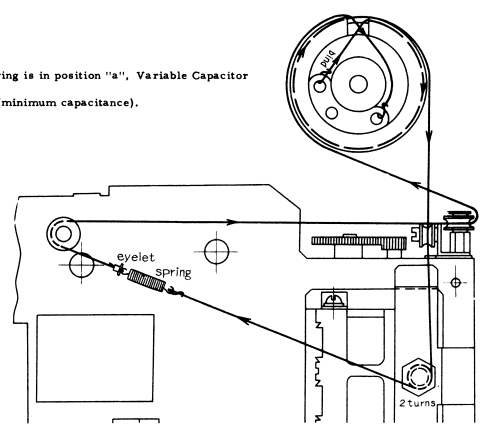
CROWN RADIO CORPORATION

MOUNTING (1)



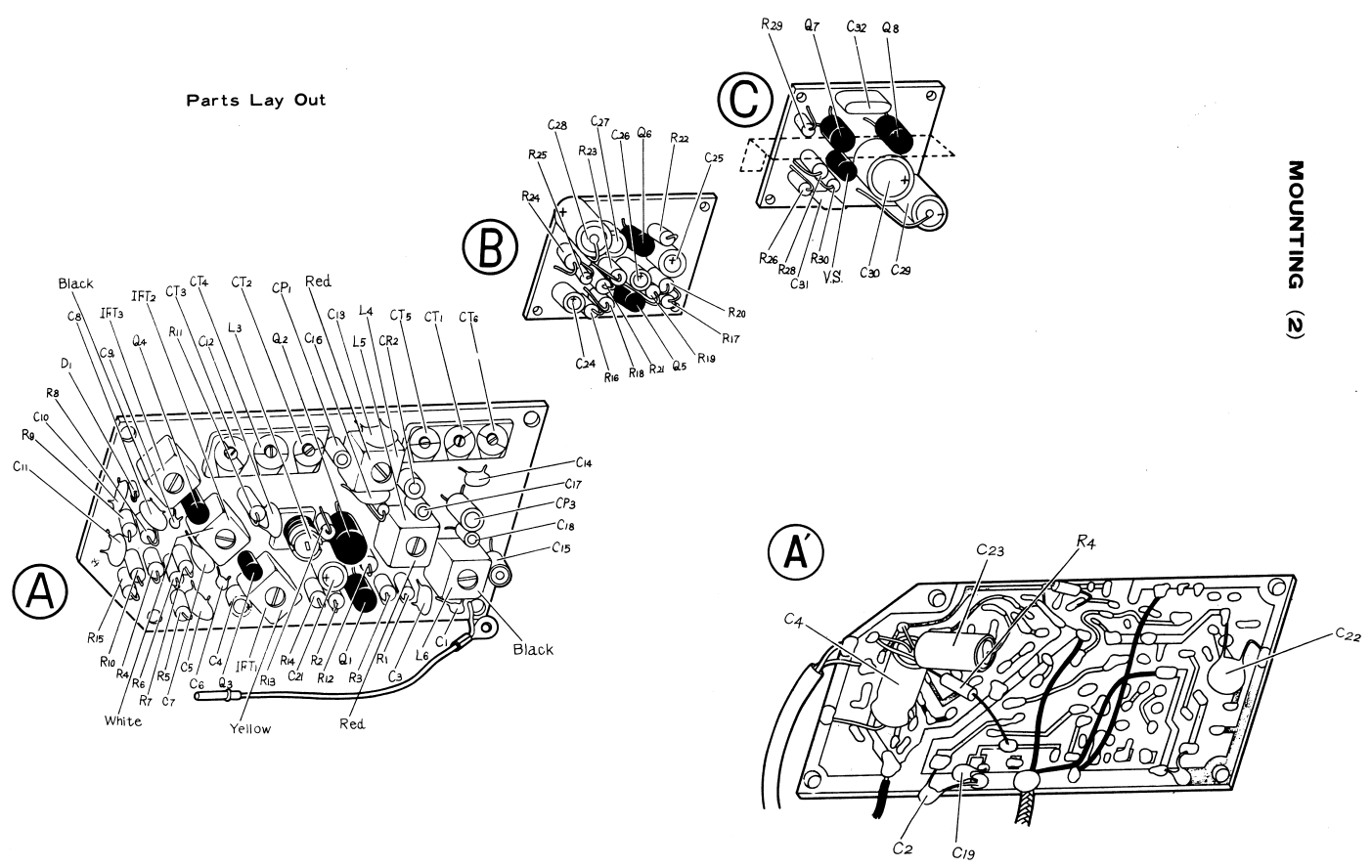
Dial Mechanism Chart

Note  
When the spring is in position "a", Variable Capacitor is fully open (minimum capacitance).



Note : The figures in the parentheses show the order of the parts in the parts list.

Parts Lay Out



MOUNTING (2)