

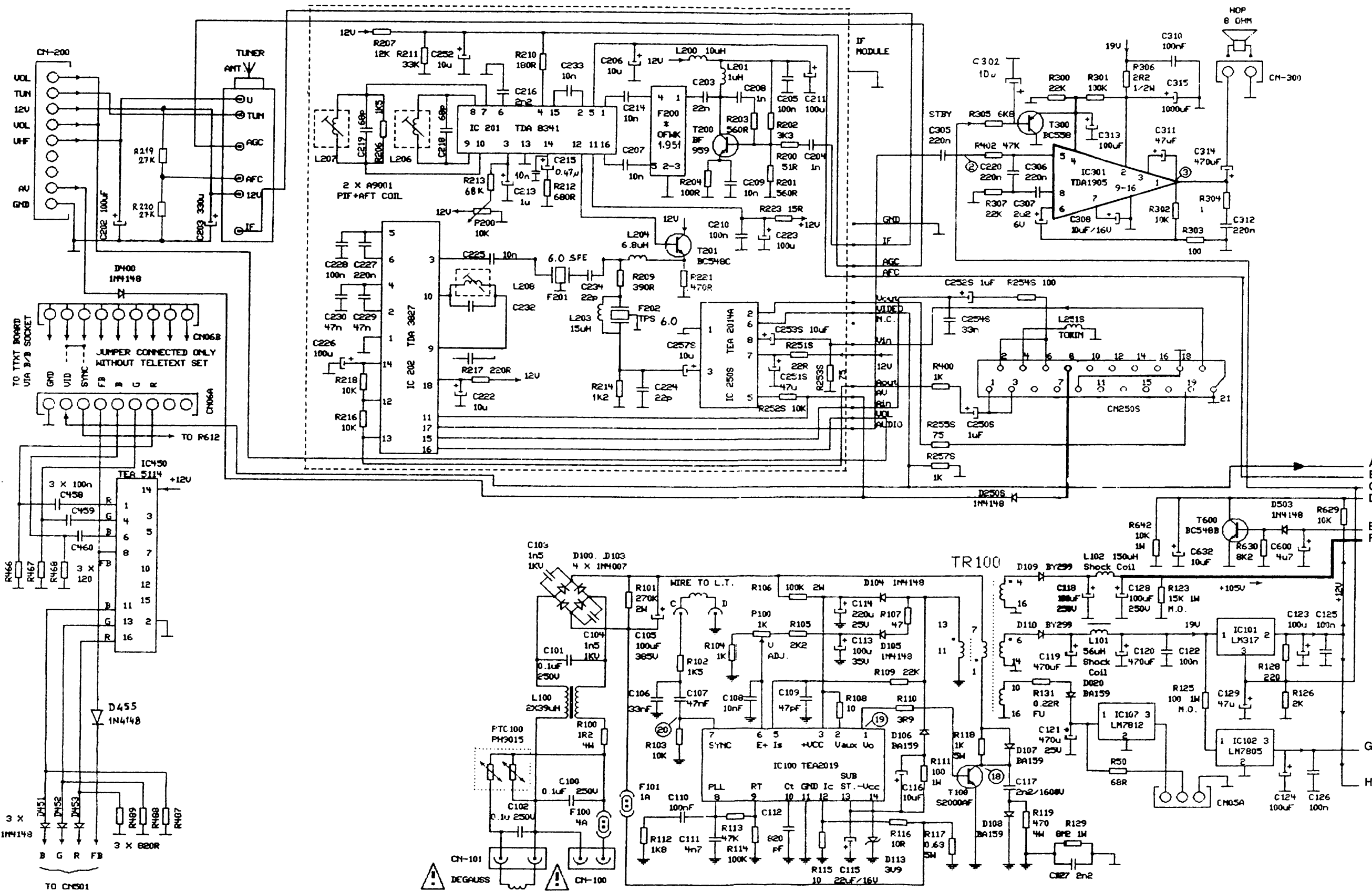
General Information

Covers Models:
 Crown CRT 9551 RT
 Crown CRT 9521 R
 Crown CRT 5912 RT
 Crown CRT 5159 R
 CRT's 20" & 21"

Tube No.	C625 <1.6Kv>	R644	R645	Tube Socket	Lin Coil
A51-230X Nokia	9.1nF	1K8#	1K8*	Narrow Neck	57uH
A48KCS12XX Goldstar	8.2 nF	1K8#	1K8*	Narrow Neck	57uH
A48JRV90X01 Orion	10 nF	1K8#	1K8	Narrow Neck	57uH
A48KCS12XX01 Goldstar	8.2 nF	1K8#	1K8	Narrow Neck	57uH
A51JSY61X03 Hitachi	9.1 nF	1K8#	1K8*	Narrow Neck	57uH
51GG95X-TC Samsung	9.1 nF	1K8#	1K8*	Narrow Neck	57uH
A48JRV50X64 Orion	8.2 nF	1K8#	1K5	Narrow Neck	57uH

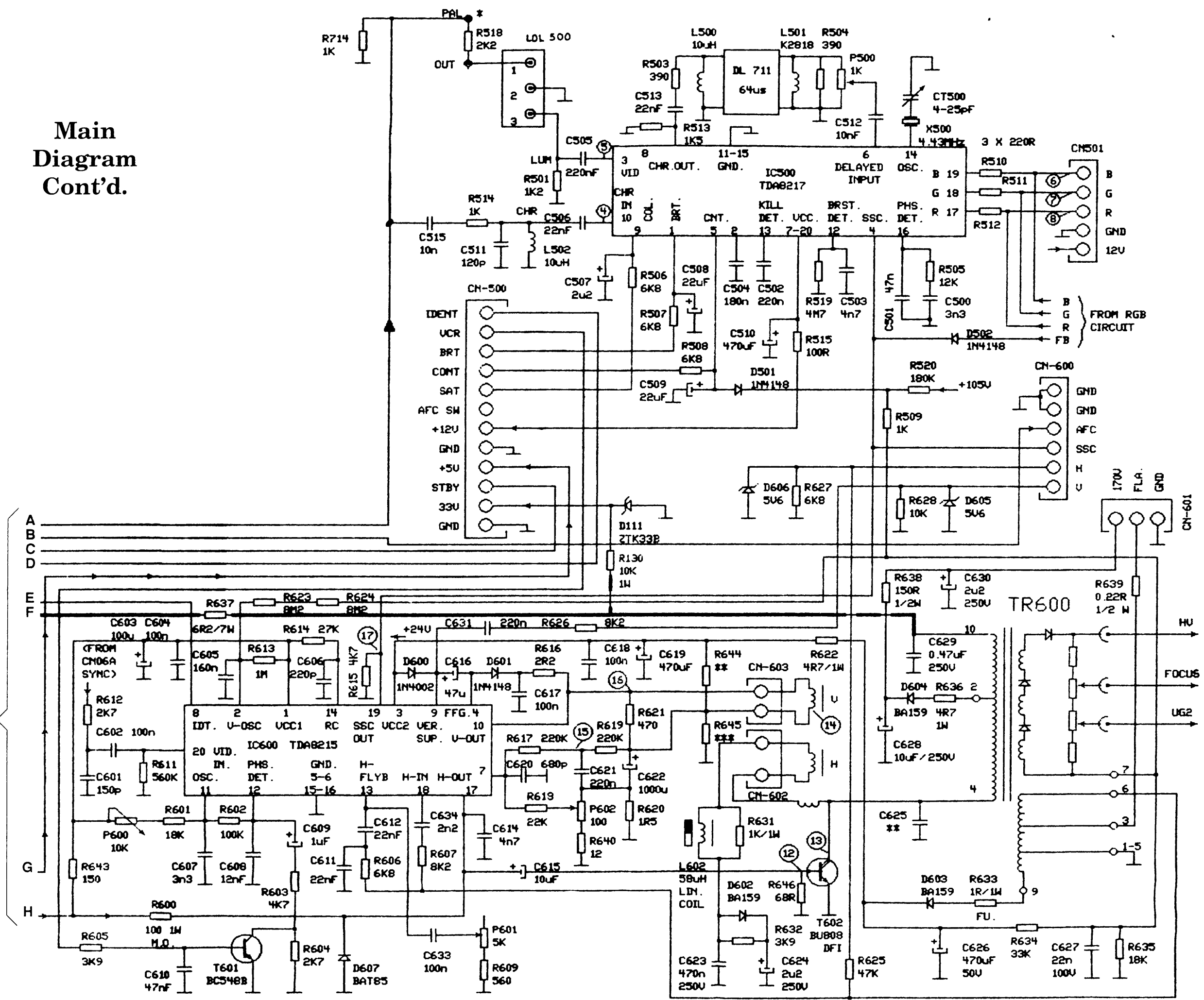
Cut the lead of resistor marked with # in order to shift picture up.
 Cut the lead of resistor marked with * in order to shift picture down.

Main Diagram



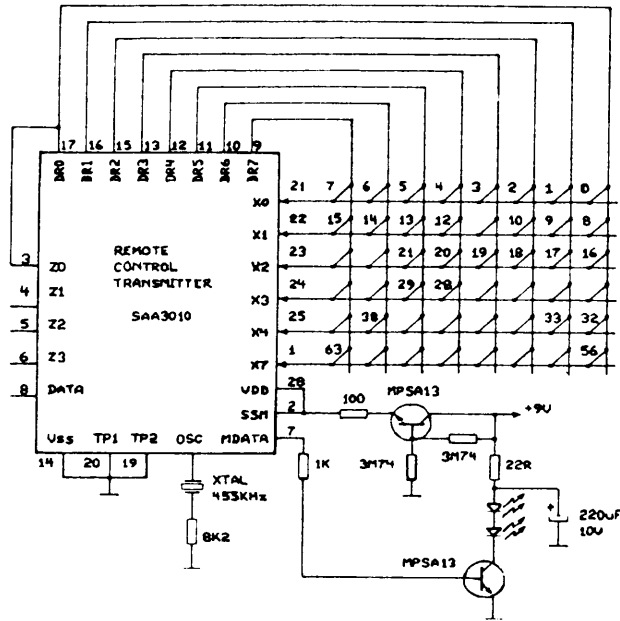
Continued at 1

Main Diagram Cont'd.



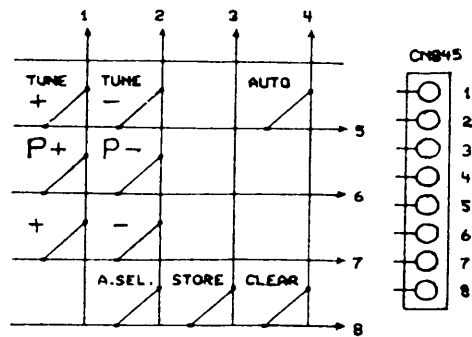
1

Remote Control -Transmitter

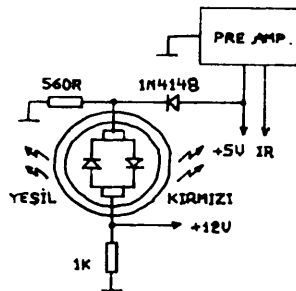


Remote Control -Keyboard

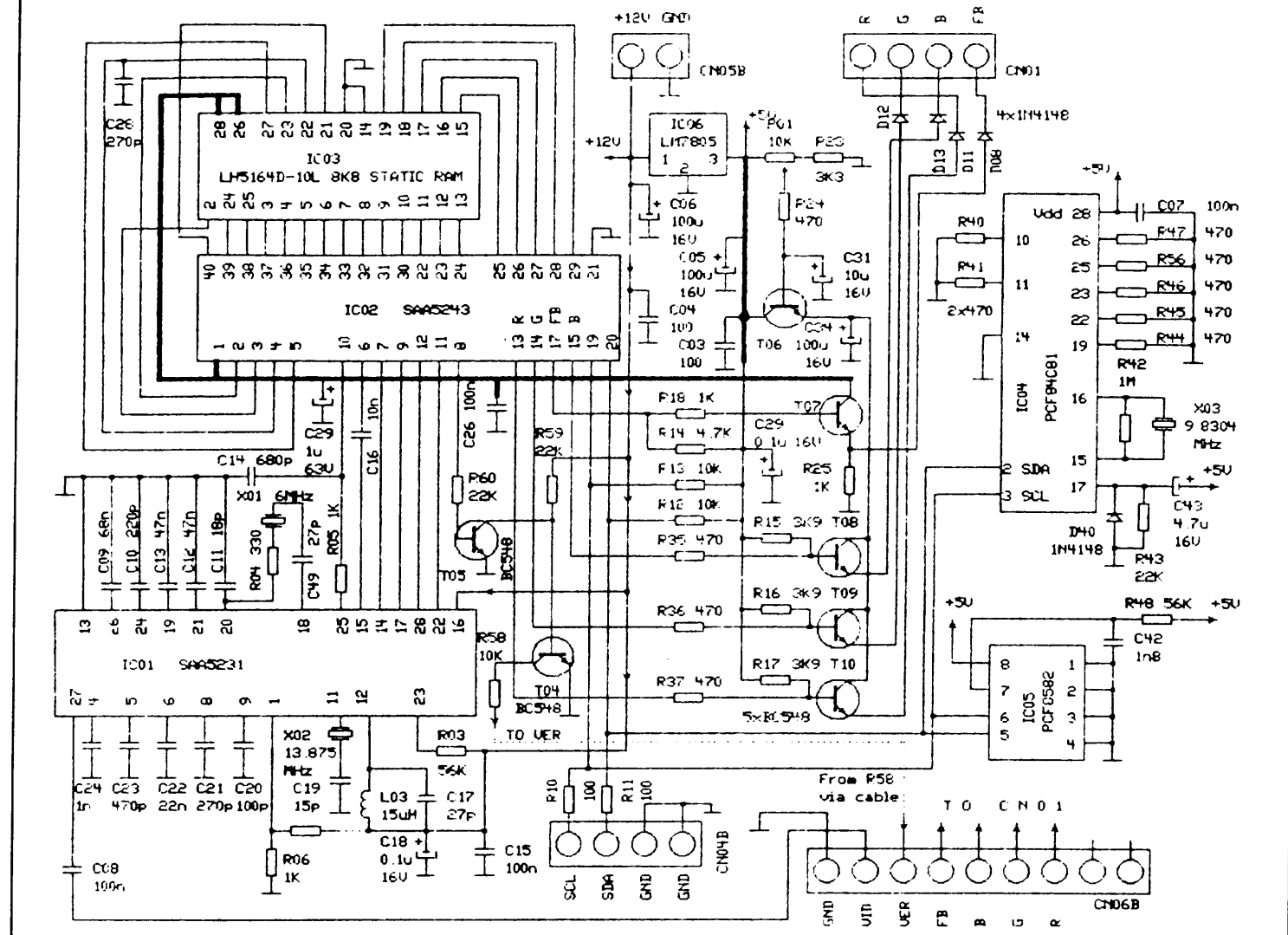
CODE	TV MODE
1	0
2	1
3	2
4	3
5	4
6	5
7	6
8	7
9	8
10	9
12	STANDBY MODE
13	MUTE ON/OFF
14	PERSONAL PREFERENCE
15	TV STATUS
16	VOLUME UP
17	VOLUME DOWN
18	BRIGHTNESS UP
19	BRIGHTNESS DOWN
20	COLOUR UP
21	COLOUR DOWN
28	CONTRAST UP
29	CONTRAST DOWN
32	PROG UP
33	PROG DOWN
38	SLEEP TIMER
56	AV
63	TV



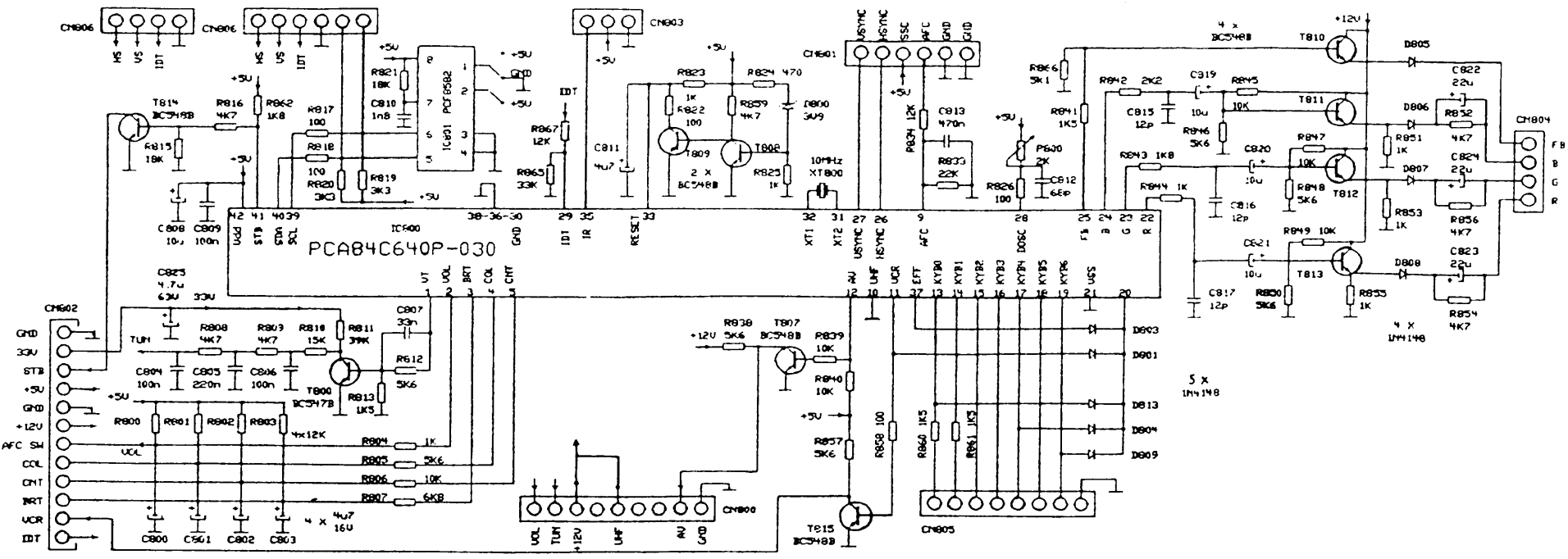
Remote Control -Pre Amp



Teletext Diagram



Remote Control Diagram



CRT Diagram

