



Part List, Mechanical

Applicable for P900 and 908

1	Exploded View.....	2
	Phone 2	
	Upper assembly.....	3
	Lower assembly.....	4
	PCB assembly.....	5
2	Part List	6
	Part list Phone.....	6
	Part list upper assembly.....	6
	Part list lover assembly.....	7
	PCB assembly.....	7
3	Revision History	8

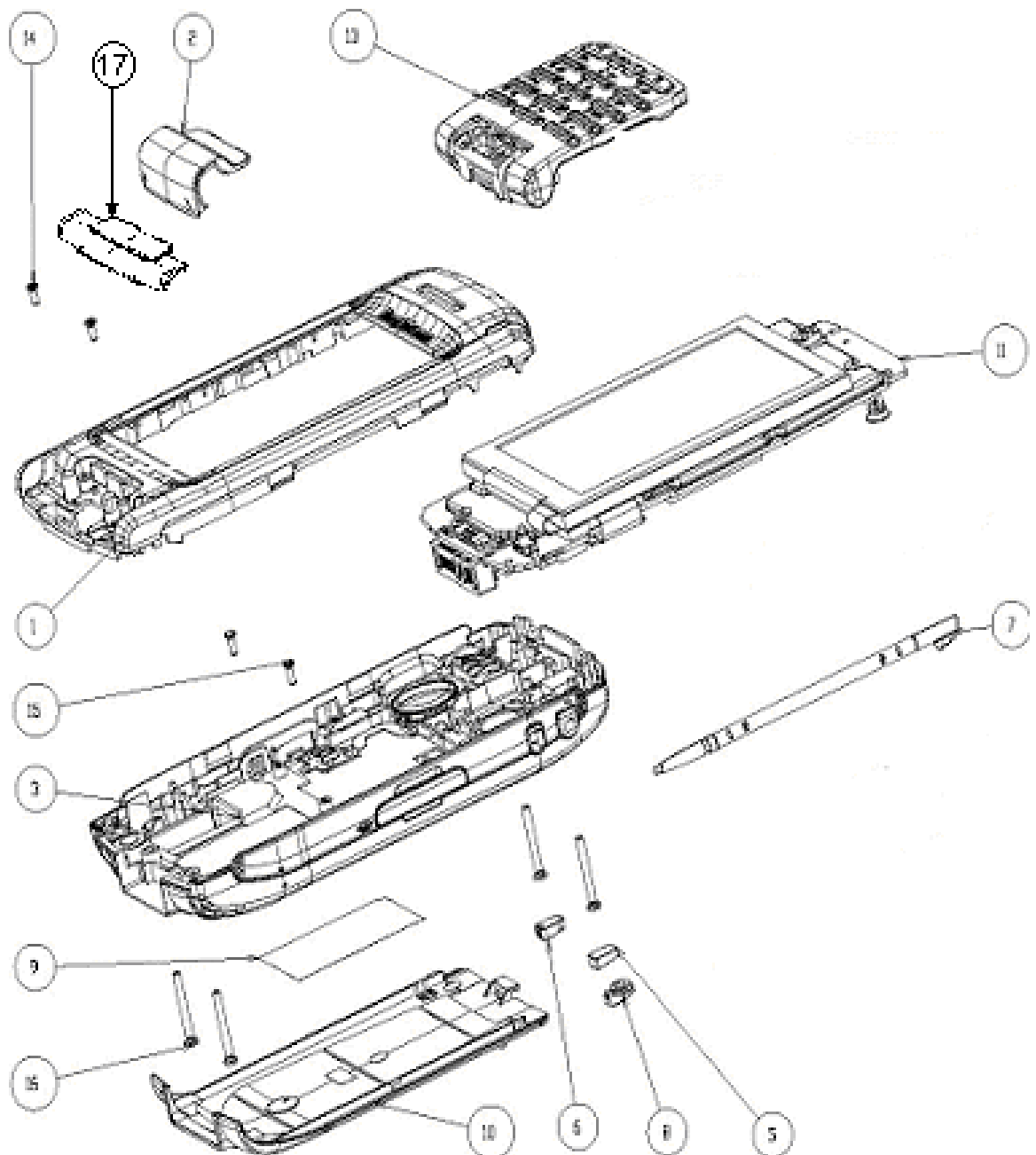
1



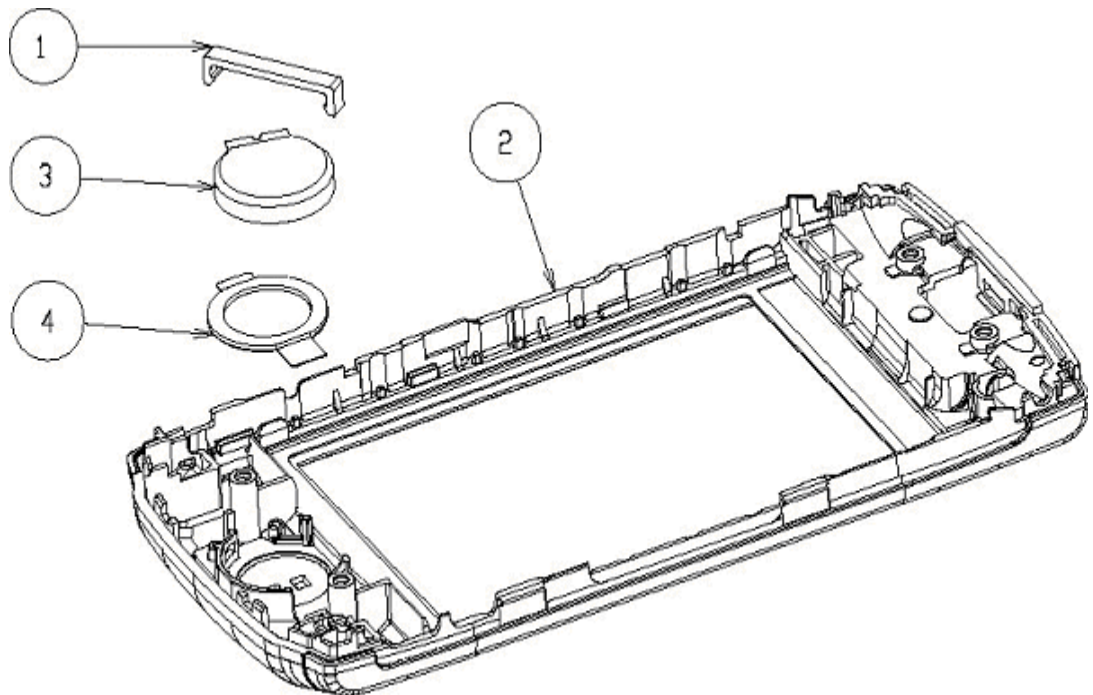
Exploded View

The Exploded View is divided in to four different parts, Phone, Upper assy, Lower assy and PCB assy.

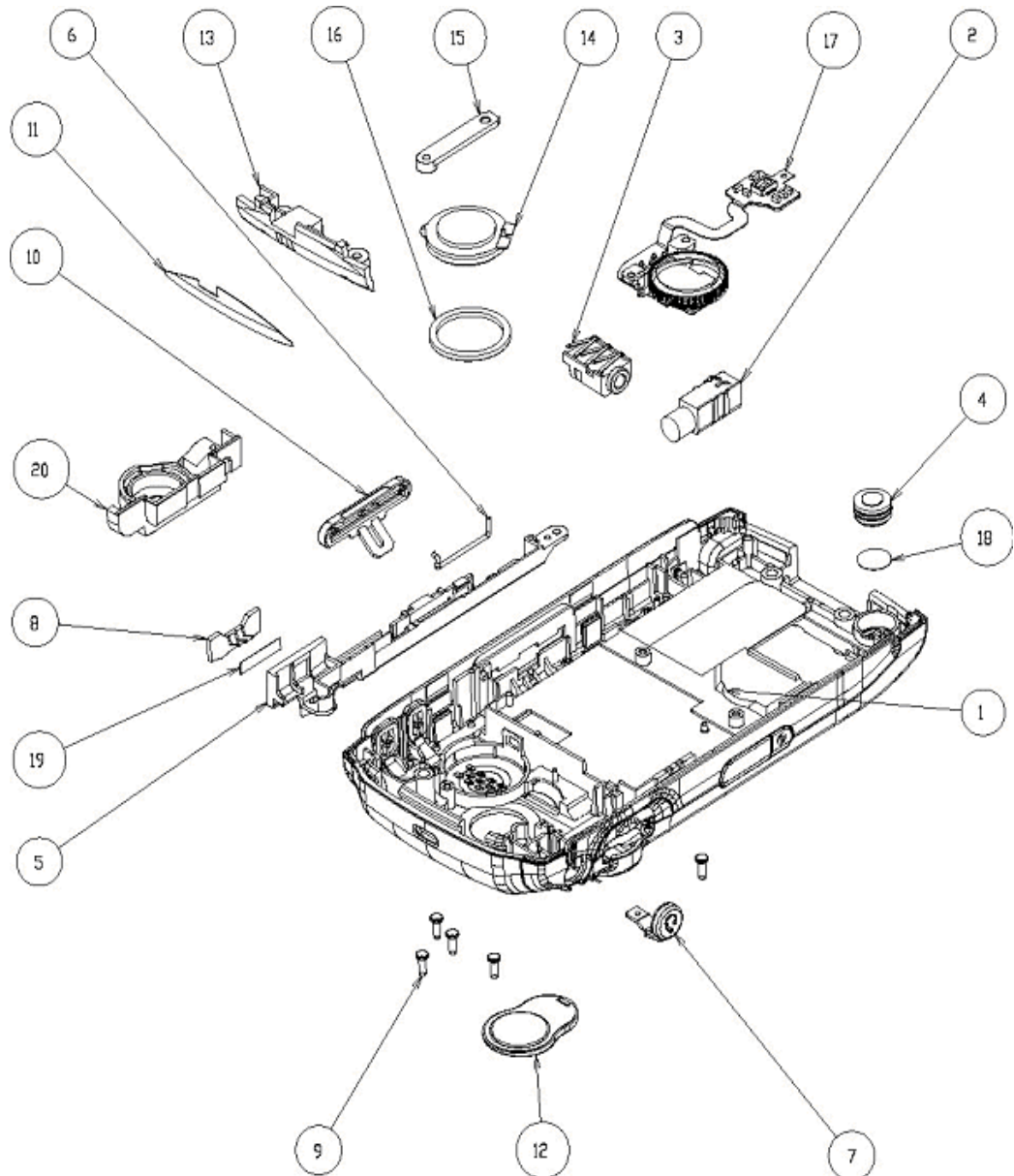
Phone



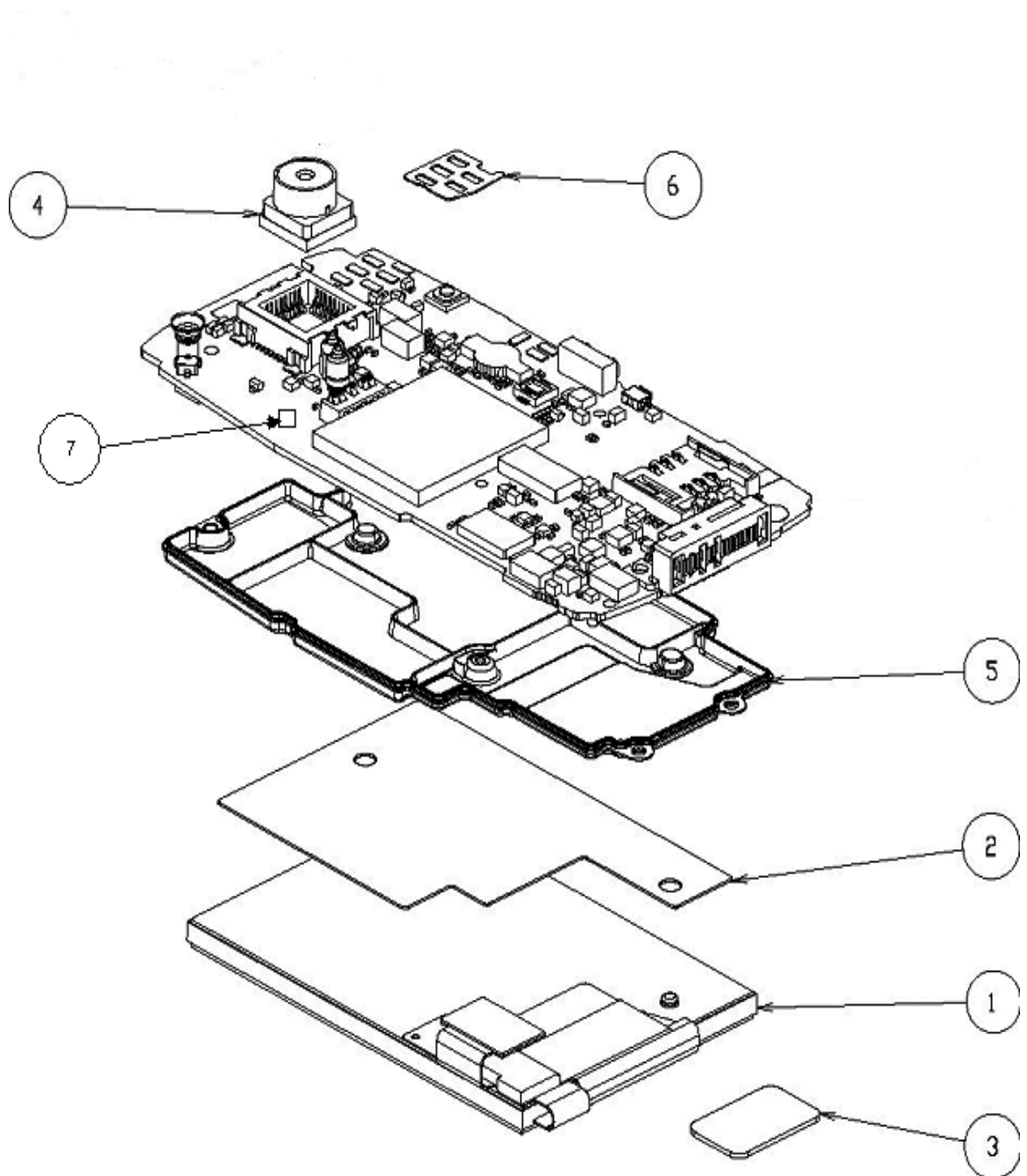
Upper assembly



Lower assembly



PCB assembly





2 Part List

This Part List includes all parts possible to replace by using the Mechanical Repair Process. Parts available to order will be found in the Web Shop. Pos. number refers to the Exploded View.

Part list Phone

Pos.	Description	Part Number	Qty
1	Cabinet upper assy	SXX 104 0091	1
2	Bezel Front	SXA 109 3400	1
3	Cabinet lower assy	SXX 104 0092	1
5	Cap screw (L)	SXA109 4440	1
6	Cap screw (R)	SXA 109 4441	1
7	Stylus Assembly	SXX 104 0096	1
8	Cap RF	SXA 109 4435	1
9	Label	SVF 930 863	1
10	Battery Lid Assembly	SXX 104 0086	1
11	PCB assy (No spare part)		1
13	Flip assembly	SXX 104 0082	1
14	Flip screw (Nylock M1,4)	SXA 109 4661	2
15	Screw (1.4*4)	SXA 109 4662	2
16	Screw (1.7*14.5)	SXA 109 3420	4
17	Bezel front replacement	SXA 109 4534	1

Part list upper assembly

Pos.	Description	Part Number	Qty
1	Holder earphone	SXA 109 3399	1
2	Cabinet upper Sub assy	SXX 104 0091	1
3	Earphone	RLE 90 623/3	1
4	Cushion earphone	SXA 109 4438	1



Part list lower assembly

Pos.	Description	Part Number	Qty
1	Cabinet lower Sub assy	SXX 104 0092	1
2	Vibrator	SXX 109 5217	1
3	Phono jack	SXX 109 5218	1
4	Microphone assy	SXX 107 152	1
5	Holder stylus	SXA 109 3418	1
6	Spring stylus	SXA 109 4436	1
7	Cap audio jack	SXA 109 3402	1
8	Side switch	SXA 109 1225	1
9	Screw (1.4*4)	SXA 109 4662	5
10	Cap (MS)	SXA 109 3401	1
11	Antenna unit GSM	KRE 101 1092	1
12	Panel camera assy	SXX 104 0095	1
13	Antenna support holder	SXA 109 3648	1
14	Loudspeaker back	RLE 117 05	1
15	Holder Loudspeaker back	SXA 109 4430	1
16	Cushion Loud speaker back	SXA 109 4434	1
17	Jog dial flex assy	ROA 219 5720	1
18	Microphone net	SXA 109 1215/1	
19	Adhesive dome (for dome side switch)	SXA 109 4645	1
20	Grommet camera	SXA 109 3423	1

PCB assembly

Pos	Description	Part Number	QTY
1	LCD	RNH 801 02/Z	1
2	Cushion LCD back	SXA 109 4646	1
3	Cushion Driver IC (on LCD)	SXA 109 4669	1
4	Camera module	SXA 109 3857/2Z	1
5	Shield case	SXA 109 3422	1
6	Isolation tape (audio contact)	SXA 109 3132	1
7	Water label	SXA 109 3566	1



3 Revision History

Rev.	Date	Changes / Comments
A	2002-10-27	First release