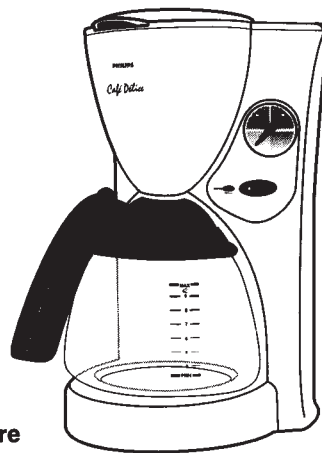
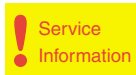


# Service Service Service



HD 7600/A  
HD 7604/A  
HD 7606/A

Philips Domestic Appliances and Personal Care

# Service Manual

## PRODUCT INFORMATION

Voltage	: 100, 120, 230V
Frequency	: 50 - 60Hz
Power consumption	: 850 + 550W
HD 7600	: 1200 cc, taste-select switch
HD 7604	: 1200 cc, taste/brew select switch
HD 7606	: 1500 cc, idem
Coloursetting	: various

MSH coding  
8827 600 00000  
8827 604 00000  
8827 606 00000

## SERVICE INFORMATION

Thermostat switch-off temp	: 140°C
Thermal fuse cut-off temp	: 298°C

## REPAIR INSTRUCTIONS

### 1. Electrical circuit

When the appliance does not work, check the electrical circuit. If the thermal fuse or thermostat prove defective, the complete pump unit has to be replaced.

### 2. De-scaling

If the water system is nearly or less clogged by scale then operate the coffeemaker a few times with vinegar or with a 10-15% solution of either vinegar-acid, citric acid or tartar-acid, into cold tap water.

**Do not use other de-scaling agents** as these may harm the appliance.

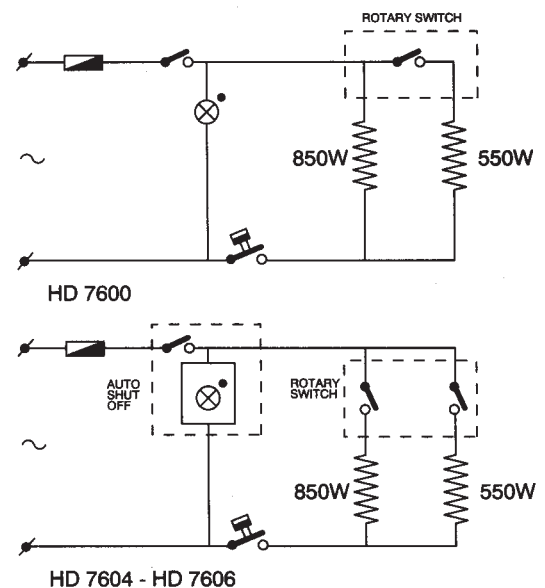
If this procedure does not restore the function, then switch off the coffeemaker when the acid has passed through during appr. 3 min. Keep the appliance in this condition overnight and continue/repeat the cleaning operation. After the de-scaling procedure, operate the coffeemaker twice with tap water in order to rinse away any residual substances.

### 3. Pump unit removal

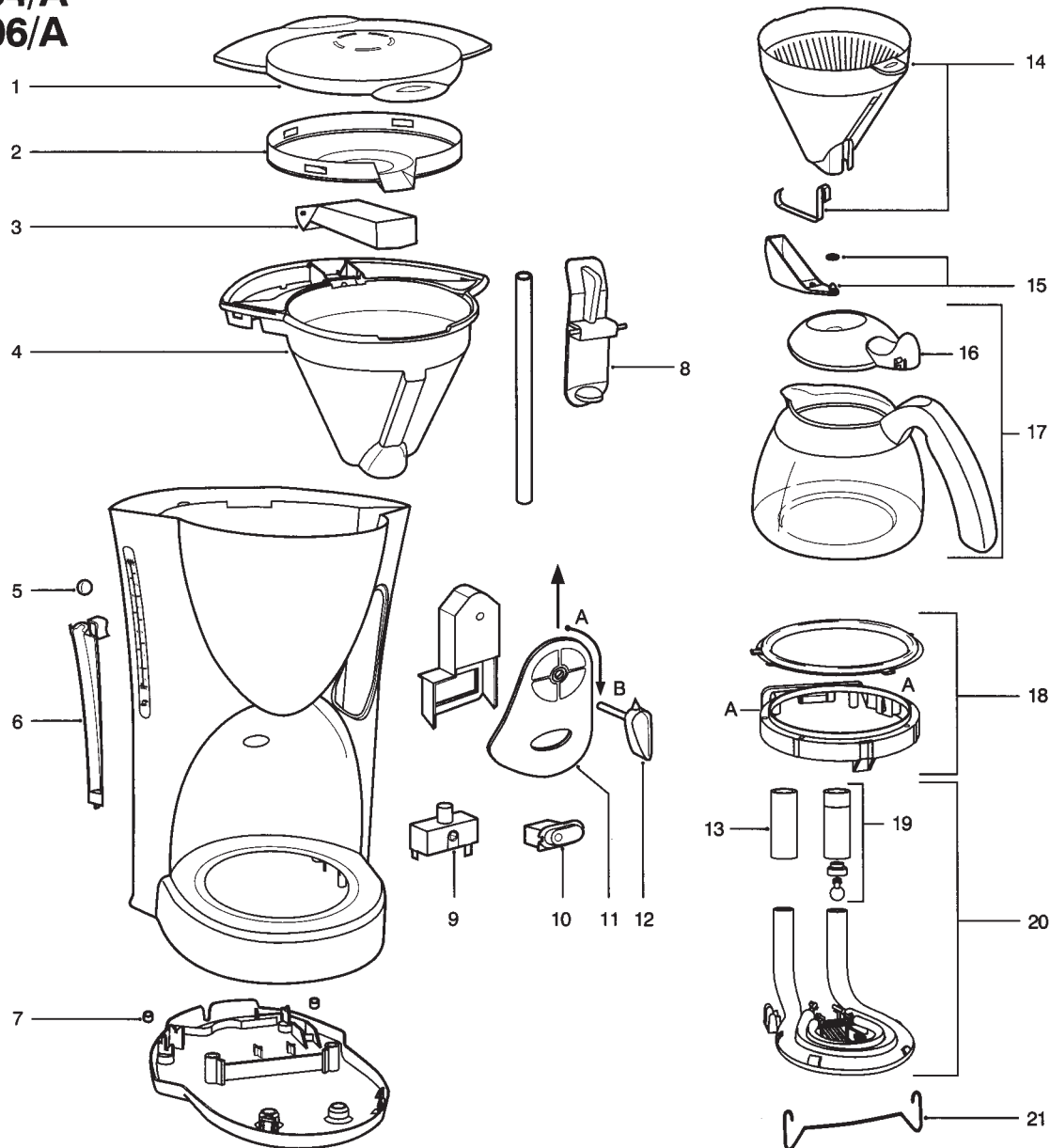
To separate the pump unit (item 20) from the hotplate unit (item 18), the two plastic snaps at place A have to be loosened. Then the pump unit can be lifted out easily.

### 4. Exchanging the switch unit

Remove the panel (11) by carefully pushing a small screwdriver into the chink at point A and moving it towards to point B (see exploded view). Do not damage the housing. If the panel has been damaged, get a new one.



**HD 7600/A**  
**HD 7604/A**  
**HD 7606/A**



1	4822 442 00874	Tank lid	white	11	4822 466 11501	Panel	white	1)
-	4822 442 00875	"	ivory	-	4822 466 11502	"	aubergine	1)
-	4822 442 00876	"	aubergine	-	4822 466 11503	"	white	2)
2	4822 466 11499	Spout disc	aubergine	-	4822 466 11505	"	ivory	2)
3	4822 529 10384	Spout	aubergine	-	4822 466 10504	"	aubergine	2)
4	4822 256 10356	Rim/filterholder	white	12	4822 410 11106	Switch knob	aubergine	
-	4822 256 10358	"	ivory	-	4822 410 11105	" "	rose	
-	4822 256 10357	"	aubergine	13	4822 532 21371	Hose		
5	4822 450 10314	Float	orange	14	4822 480 10168	Filter	aubergine	3)
6	4822 450 10312	Window back wall	1200cc	15	4822 360 10284	Drip stop unit		
-	4822 450 10313	" " "	1500cc	16	4822 442 00877	Jug lid	aubergine	
7	4822 462 40374	Foot		17	4822 418 10234	Jug 1200cc (+16)	aubergine	4)
8	4822 402 10708	Jug lever	aubergine	-	4822 418 10235	Jug 1500cc (+16)	aubergine	5)
9	4822 273 10332	Rotary switch	2 pos 1)	18	4822 466 11508	Hot plate unit		
-	4822 273 10333	" "	4 pos 2)	19	4822 360 50864	Hose valve unit		
10	4822 276 13857	Switch on/off	220-250V 1)	20	4822 259 10241	Pump unit 1400W	230V	
-	4822 276 13858	" "	100-120V 1)	-	4822 259 10242	" " "	120V	
-	4822 276 13859	Switch auto-off	220-250V 2)	-	4822 259 10243	" " "	100V	
-	4822 276 13861	" "	100-120V 2)	21	4822 492 71174	Wire spring		

1) For HD 7600

2) For HD 7604 and HD 7606

3) Optional part for use as an insert in item 14:

4822 480 50479 Permanent filter nylon

4822 480 10107 Permanent filter stainless steel

4) For HD 7600/04 Commercial trade number of the jug HD 7927

5) For HD 7606 Commercial trade number of the jug HD 7928