

Place Screw (part 3) through Lock washer (part 4), Solder Lug (part 9A), Ground Strap (part 21), Element (part 5) and secure to Insulator (part 2). Insert Screw (part 3) through Lock washer (part 4), Solder Lug (part 9B), Element (part 5) and secure all insulators. Insert Red color coded end of Trap Assembly (part 7) into Element Section (part 6) and secure with Screw (part 8). Press Cap (part 23) into innermost ends of Element (part 5).

ATTACHING RADIATOR TO BOOM:

Loosely install two U-bolts (part 12) to Element Support (part 1) with Lock washers (parts 13) and Nuts (part 14). At this time attach Ground Strap (part 21) to one of the U-bolts. Place Radiator Support (part 1) directly over Red color code on boom. Install Clamping Block (part 10) between Element Support (part 1) and Boom (part 20). Secure with Nuts (part 13) and Lock washers (part 14). Press Caps (part 24) into ends of Boom (part 20).

REFLECTOR ASSEMBLY - Color Coded YELLOW

Element Sections (parts 15 and 16) are pre-assembled with U-bolt (part 12), temporarily locking them together. Without removing U-bolt (part 12), insert Element Section (part 17) to desired setting and secure with Screw (part 8). Place Trap Assembly (part 18) into Element Section (part 17) and secure with Screw (part 8).

ATTACHING REFLECTOR TO BOOM:

Note that the radius of grooves on Clamping Block (part 11) conforms with radius of Boom (part 20) and Element (part 15). Place Element Clamping Block (part 11) between U-bolt (part 12) of Reflector element and against Element (part 15). Place U-bolt over Boom (part 20) and center on top of color code mark. Secure with Lock washers (part 13) and Nuts (part 14).

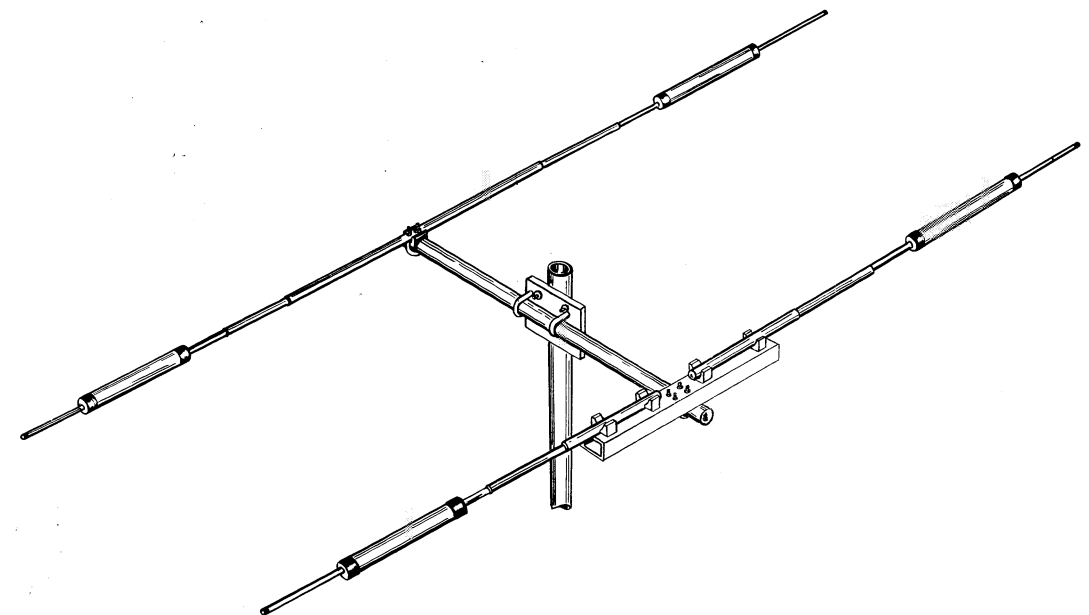
BOOM TO MAST PLATE ASSEMBLY:

The Black mark on boom is to indicate the center of the Mast Plate (part 19). Secure mast plate to boom by means of U-bolts (part 12), U-bolt Element Clamping Blocks (part 10), Lock washers (part 13) and Nuts (part 14) in the same manner as on the elements. The remaining U-bolts and hardware are to be used for clamping your 1½" OD mast section to the mast plate.

For 2" OD masts Mosley Electronics manufactures Model AK-60 Mast Adapter Kit. This kit includes an aluminum angle, hardware and complete instructions.

A package of Mosley Antenna Coat has been included with this antenna. After antenna has been assembled, spray or brush antenna coat over entire unit and let dry before mounting on mast. Be sure antenna coat does not prevent good electrical contact between boom and mast.

ASSEMBLY INSTRUCTIONS
FOR 255403
MOSLEY TWO ELEMENT ANTENNA
TRAP MASTER
MODEL TA-32JR.



FREQUENCY CHART				
ELEMENT	COLOR	BAND	CODE 1*	CODE 11**
Radiator	Red	10M	28.5	29.00
Reflector	Yellow	15M	21.150	21.350
		20M	14.150	14.275
*Best for CW			** Best for Phone	

NOTE: To order replacement parts from instruction sheet, refer to Form No. and Part No.

M·E·I

MOSLEY ELECTRONICS, INCORPORATED
 4610 North Lindbergh Boulevard
 Bridgeton, Missouri, 63044.

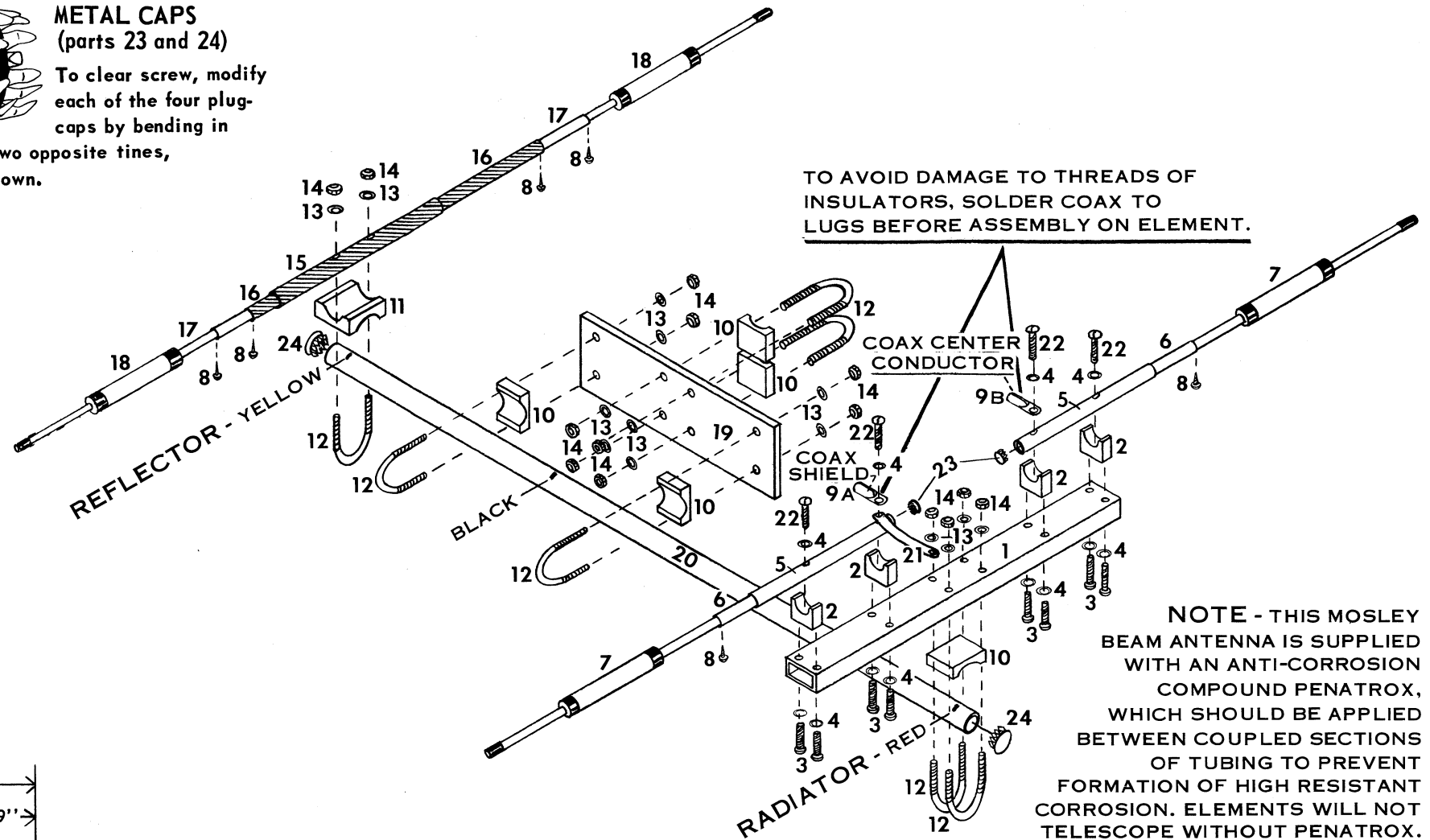
The high performance of your MOSLEY Antenna can only be achieved if the antenna is assembled in accordance with the instructions supplied. Substitution of materials or modification of design will materially lessen this performance.

PARTS LIST		
Part	Quan.	Description
1	1	Element Support
2	4	Insulators
3	8	10-32 x 1/4" Screws
4	12	No. 10 Lock washers
5	2	3/4" OD Element (coded RED)
6	2	5/8" OD Element (coded RED)
7	2	Trap Assemblies (coded RED)
8	6	Self Tapping Screws
9	2	Solder Lugs
10	5	No. 44 Element Clamping Blocks
11	1	No. 41 Element Clamping Block
12	7	U-bolts
13	14	1/4" Lock washers
14	14	1/4-20 Nuts
15	1	7/8" OD Element (YELLOW) } pre-
16	1	3/4" OD Element (YELLOW) } assembled
17	2	5/8" OD Element (coded YELLOW)
18	2	Trap Assemblies (coded YELLOW)
19	1	Mast Plate
20	1	Boom
21	1	Ground Strap
22	4	10-32 x 1 1/2" long Screws
23	2	5/8" Metal Caps
24	2	1 1/4" Metal Caps



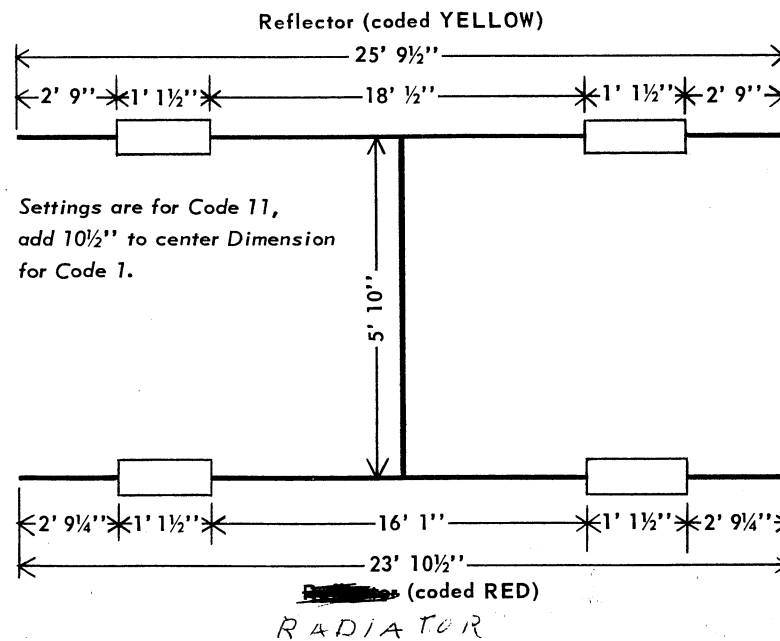
METAL CAPS
(parts 23 and 24)
To clear screw, modify each of the four plug-caps by bending in

any two opposite tines, as shown.



TO AVOID DAMAGE TO THREADS OF INSULATORS, SOLDER COAX TO LUGS BEFORE ASSEMBLY ON ELEMENT.

NOTE - THIS MOSLEY BEAM ANTENNA IS SUPPLIED WITH AN ANTI-CORROSION COMPOUND PENATROX, WHICH SHOULD BE APPLIED BETWEEN COUPLED SECTIONS OF TUBING TO PREVENT FORMATION OF HIGH RESISTANT CORROSION. ELEMENTS WILL NOT TELESCOPE WITHOUT PENATROX.



ASSEMBLY

CAUTION: For proper matching, use 52 ohm coax, RG-8/U is recommended. All element sections and trap assemblies are color coded on one end only. This end should always be nearest the boom. The 1/2" element of the trap assembly on the Radiator (color coded RED) is drilled so that it may be adjusted. The coding of these adjusting holes may be determined from the Frequency Chart. The adjusting holes do not appear on the Reflector (color coded YELLOW) trap assembly, but on element (part 17) instead.

All trap assemblies are provided with "breather holes" and should face DOWN. Each trap assembly will have a small 1/2" plastic cap on one end,

indicating that it is the outside end of the element and a moisture seal. Do Not Remove! Read directions carefully then proceed to assemble beam by grouping all components according to color code.

RADIATOR ASSEMBLY - Color coded RED
Loosely install Insulators (part 2) to Element Support (part 1) with Screws (part 3) and Lock washers (part 4). Place Element Section (part 5) into "V" of Insulator (part 2) so that screw hole on Red color coded end of Element (part 6) is facing DOWN. Place screws (part 3) through Lock washers (part 4) and secure to outermost Insulators (part 2).