

Service  
Service  
Service



Philips Consumer Lifestyle

# Service Manual

## PRODUCT INFORMATION

### Shaving system:

- Lift & cut system
- Individually floating heads
- Anti-slip grip

### Power system

- Automatic selection 100 - 240 Volt
- Rechargeable
- Up to 30 minutes shaving time

### Safety information

- This product meets the requirements regarding interference suppression on radio and TV.
- After the product has been repaired, it should function properly and has to meet the safety requirements as officially laid down at this moment.

## TECHNICAL INFORMATION

- Voltage : 100 - 240 Volt
- Charging time : 8 hours
- Shaving heads : 2 x HQ55
- SAP coding : 912X

## DISASSEMBLY- AND RE-ASSEMBLY ADVICE

- No specific issues

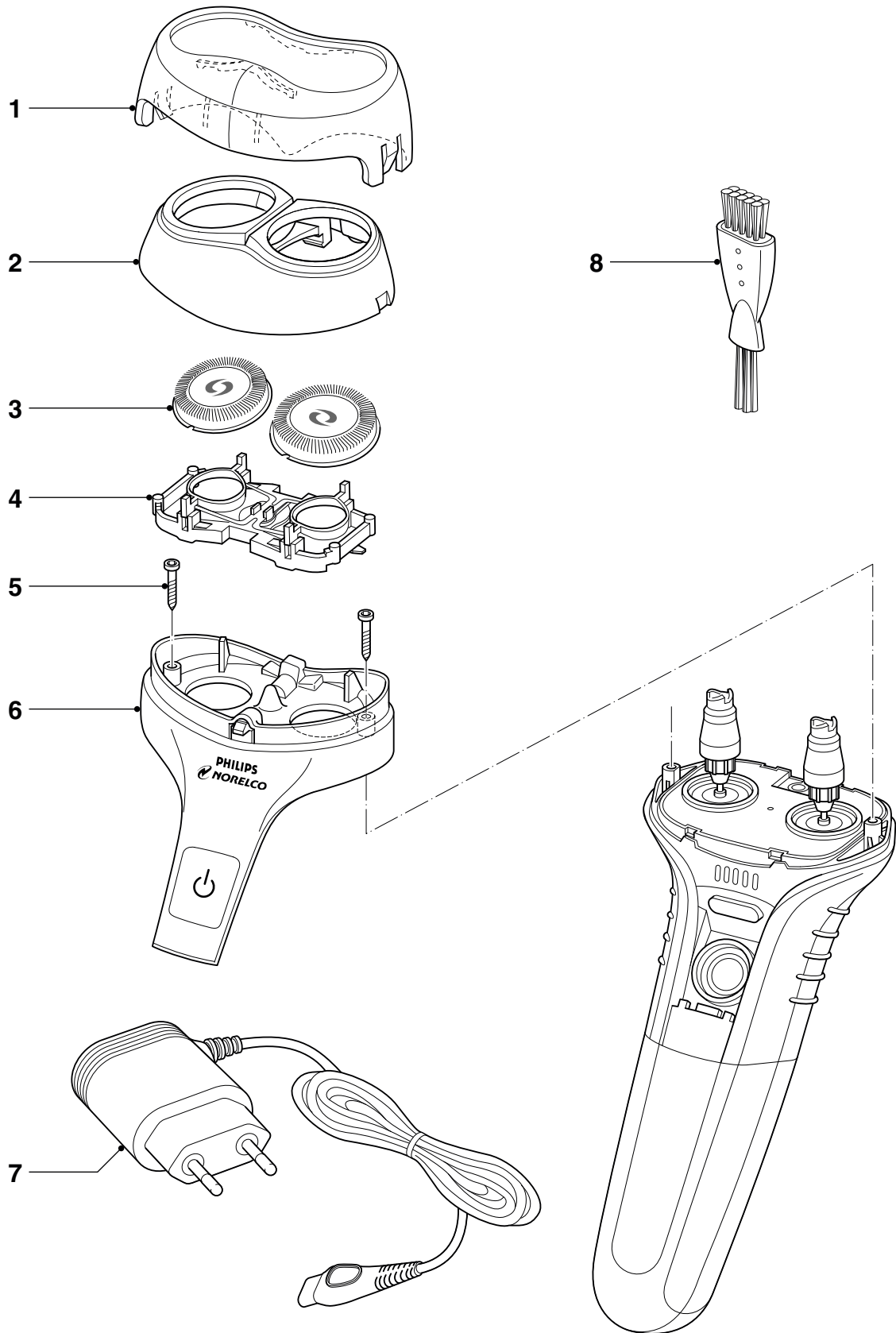
## REPAIR INSTRUCTION

- No specific issues

## OPTIONAL (accessories)

- Power plug straight
 

ARG	4222 036 03760
MEX	4222 036 03810
JAP	4222 036 03870
EU	4222 036 04080
GBR	4222 036 04090
KOR	4222 036 04850
CAN/TW	4222 036 05110
AUS/NZ	4222 036 05120
NORELCO	4222 036 05160
PRC	4222 036 10320



Pos	Service code	Description
1	4222 036 16880	Protecting cap
2	4222 036 17641	Bracket
3	4222 036 17050	Shaving heads
4	4222 036 16930	Holder assy

Pos	Service code	Description
5	4822 502 14545	Screw
6	4222 036 17651	Hairchamber assy
7	see optional	Power plug
8	4222 036 02770	Cleaning brush