



Philips Domestic Appliances and Personal Care

# Service Manual

## PRODUCT INFORMATION

### Features

- Motor : Johnson HC385MG
- Handle : 35 mm width slim handle
- Cordset length : 1.8 m
- Settings : 3 heat/speed settings  
Off - 1 - 2 - Cool
- Attachments : Retractable bristle brush  
2-in-1 attachment  
Nozzle
- Colour : Housing : Chalky camel  
Attachments : Sparrow brown
- Material : Housing : ABS  
Attachments : Nylon
- Detachable inlet grill
- Pouch

### Safety Information

- This product meets the requirements regarding interference suppression on radio and TV.
- Service policy is replacement only. No repairing is allowed.

## TECHNICAL INFORMATION

Voltage	: 220 - 240 V 230 - 240 V
Frequency	: 50 - 60 Hz
Power Consumption	: 850 - 1000 W 1000 W
Dimension (F-box)	: 231 x 60 x 222 mm
Weight (product)	: 292 grams

### Slim handle

With a width of 35 mm, this is the slimmest handle currently in the market for high end air stylers.

### Detachable attachments

This allows easy cleaning and storage. The release button is ergonomically located and easy to operate.

### Retractable bristle brush

For creating tight curls. Bristles are retractable.

### 2-in-1 attachment

This innovative attachment can be used for creating large curls/waves & for straightening hair with only 1 attachment.

## ASSEMBLY & DISASSEMBLY ADVICE

- No specific issues

## REPAIR INSTRUCTION

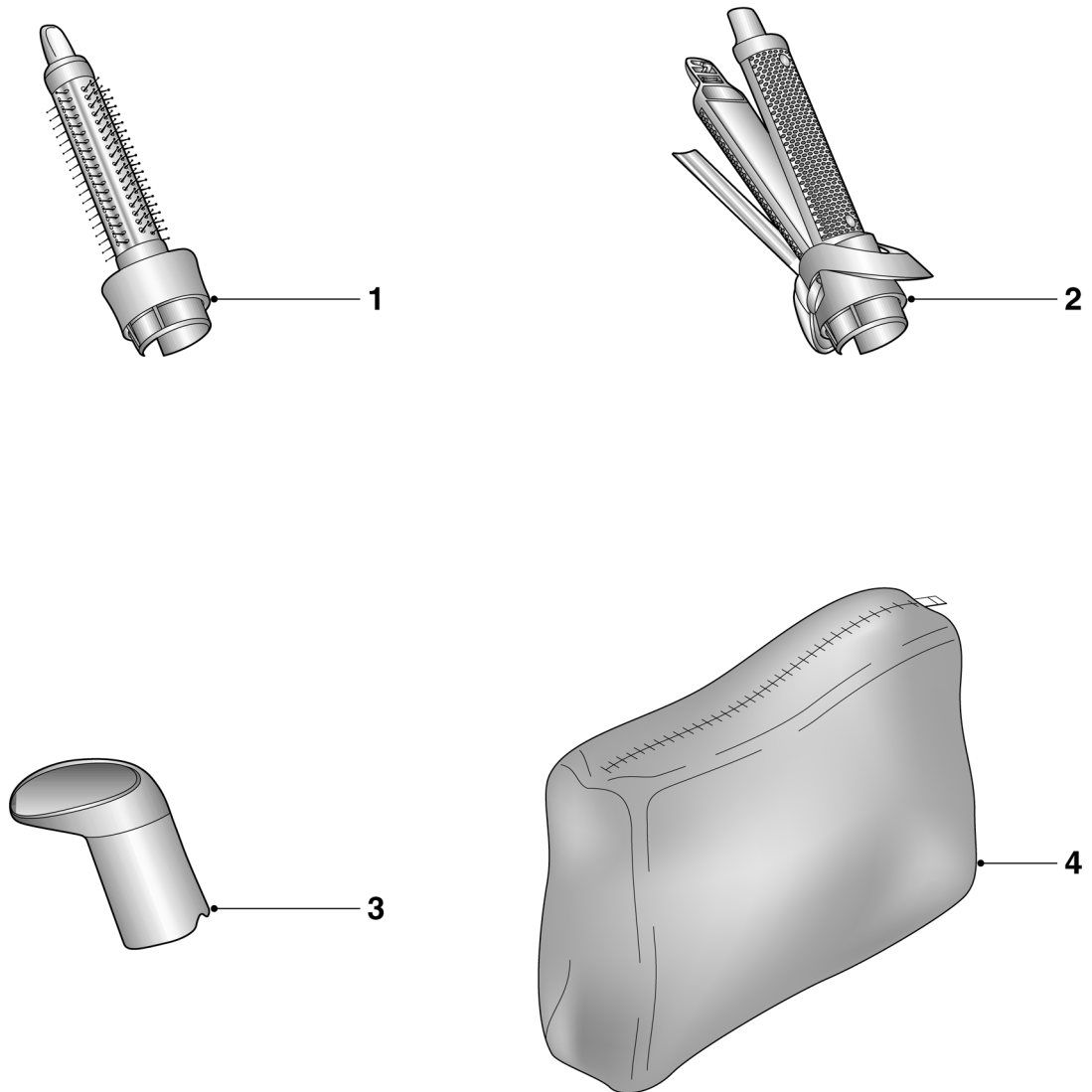
- No specific issues

## OPTIONAL (accessories)

- No specific issues

General:

For this air styler, only the spare parts mentioned below will be available in the after sales period.



Pos	Service code	Description
1	4239 021 18580	Retractable bristle brush
2	4239 021 18530	2-in-1 attachment
3	4239 026 15910	Nozzle
4	4239 026 15920	Pouch