

VP-8177A CIRCUIT DIAGRAMS

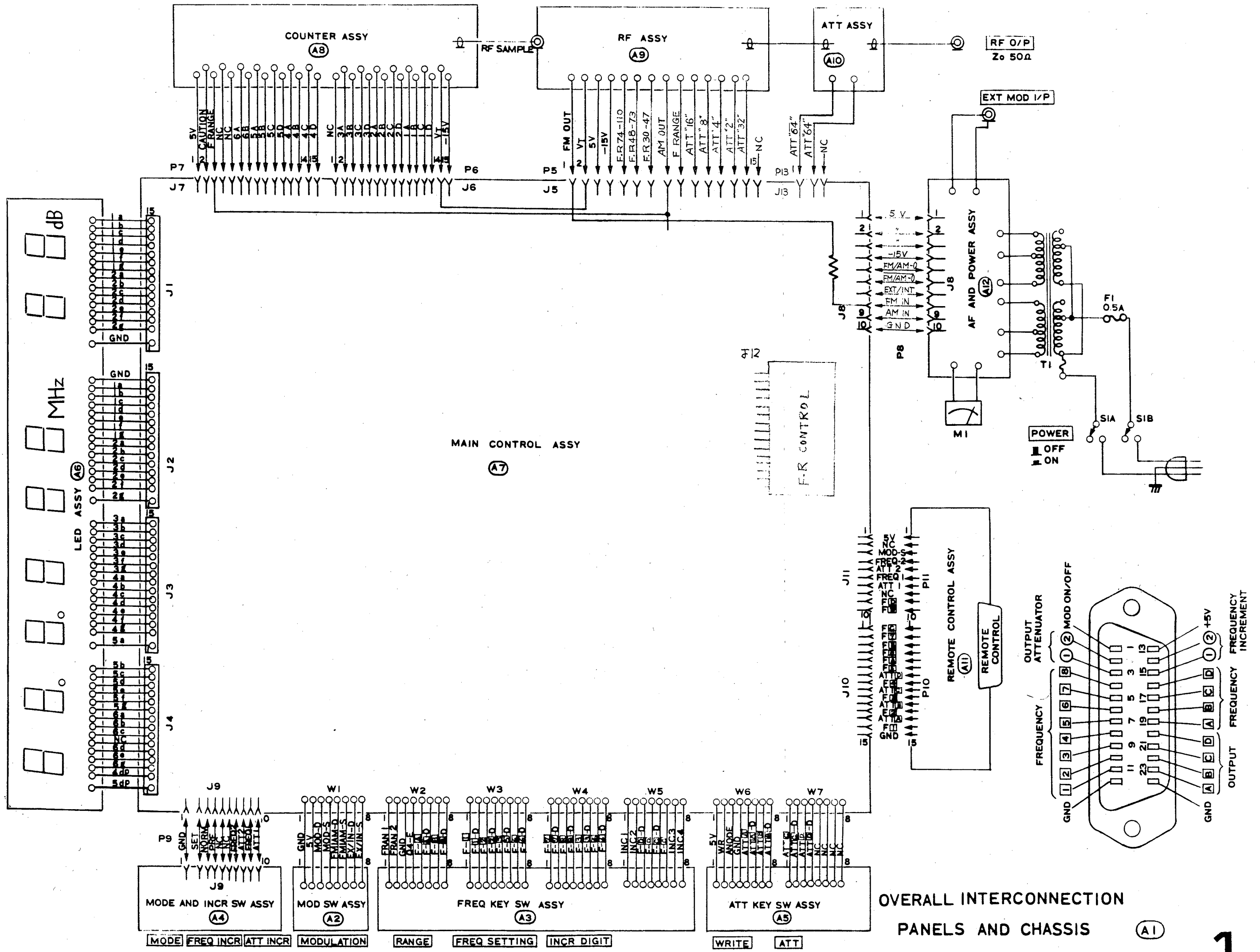
- 1 OVERALL INTERCONNECTION PANELS AND CHASSIS
- 2 MAIN CONTROL
- 3 COUNTER ASSEMBLY
- 4 RF ASSEMBLY
- 5 RF ASSEMBLY, ATT ASSEMBLY
- 6 REMOTE ASSEMBLY
- 7 AF / POWER

NOTES

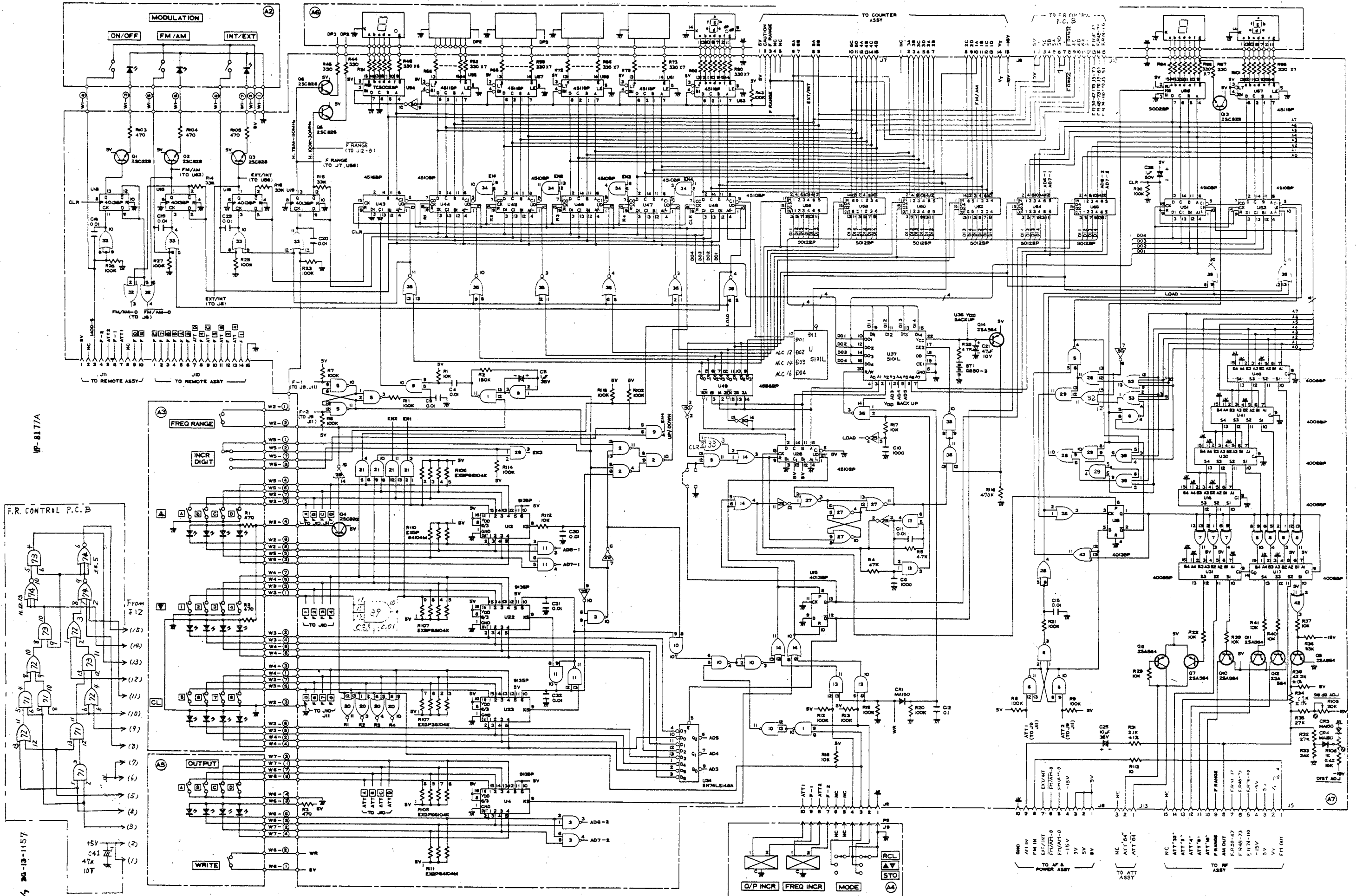
- ▷ WHEN THE CIRCUIT IS DIVIDED INTO SOME UNITS AND AN IDENTIFYING NUMBER IS ASSIGNED TO EACH UNIT, REFERENCE DESIGNATORS IN EACH CIRCUIT DIAGRAM ARE GIVEN IN ABBREVIATED FORM. PREFIX WITH EACH IDENTIFYING NUMBER FOR COMPLETE DESCRIPTION.
EXAMPLES; A1C1, A6R3.
- ▷ RESISTANCE VALUES IN OHMS AND CAPACITANCE IN PICO FARADS (FROM 1 TO 9,999) OR MICROFARADS (FROM 0.01 TO 0.99) UNLESS OTHERWISE NOTED.
- ▷ POWER RATINGS AND RESISTANCE TOLERANCES OF FIXED RESISTORS ARE 1/8 WATTS AND $\pm 5\%$ UNLESS OTHERWISE NOTED.
- ▷ \otimes FACTORY REWORKED OR CHECKED COMPONENTS.
- ▷ \ast VALUE SELECTED AT FACTORY, NOMINAL VALUE SHOWN.

3G-13-1157

VP-8177A



OVERALL INTERCONNECTION
PANELS AND CHASSIS (A1)

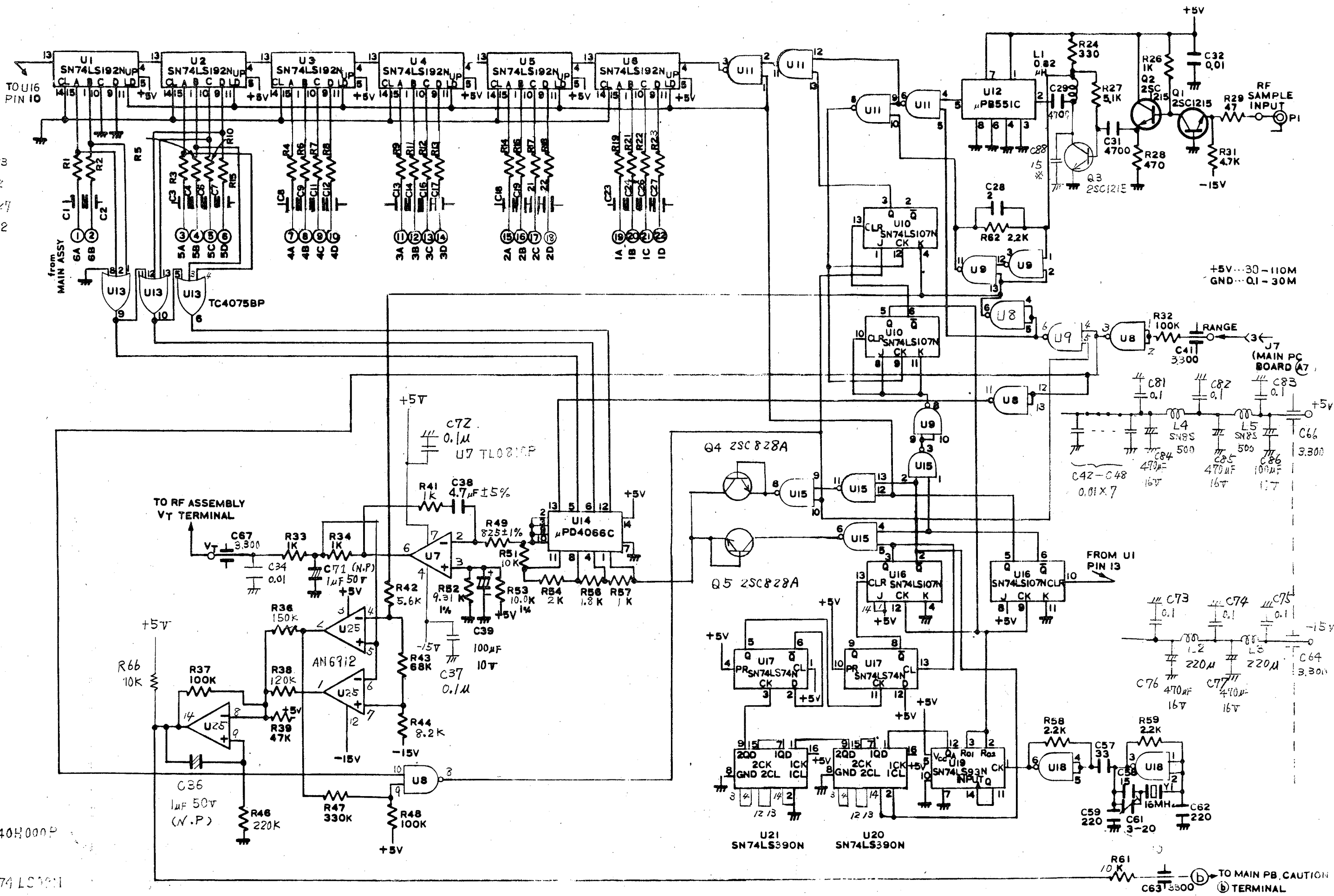


IP-8177A

F.R. CONTROL P.C.B.

34 20-13-1157

R1 - R23
563 x 22
C1 - C47
3300 x 22

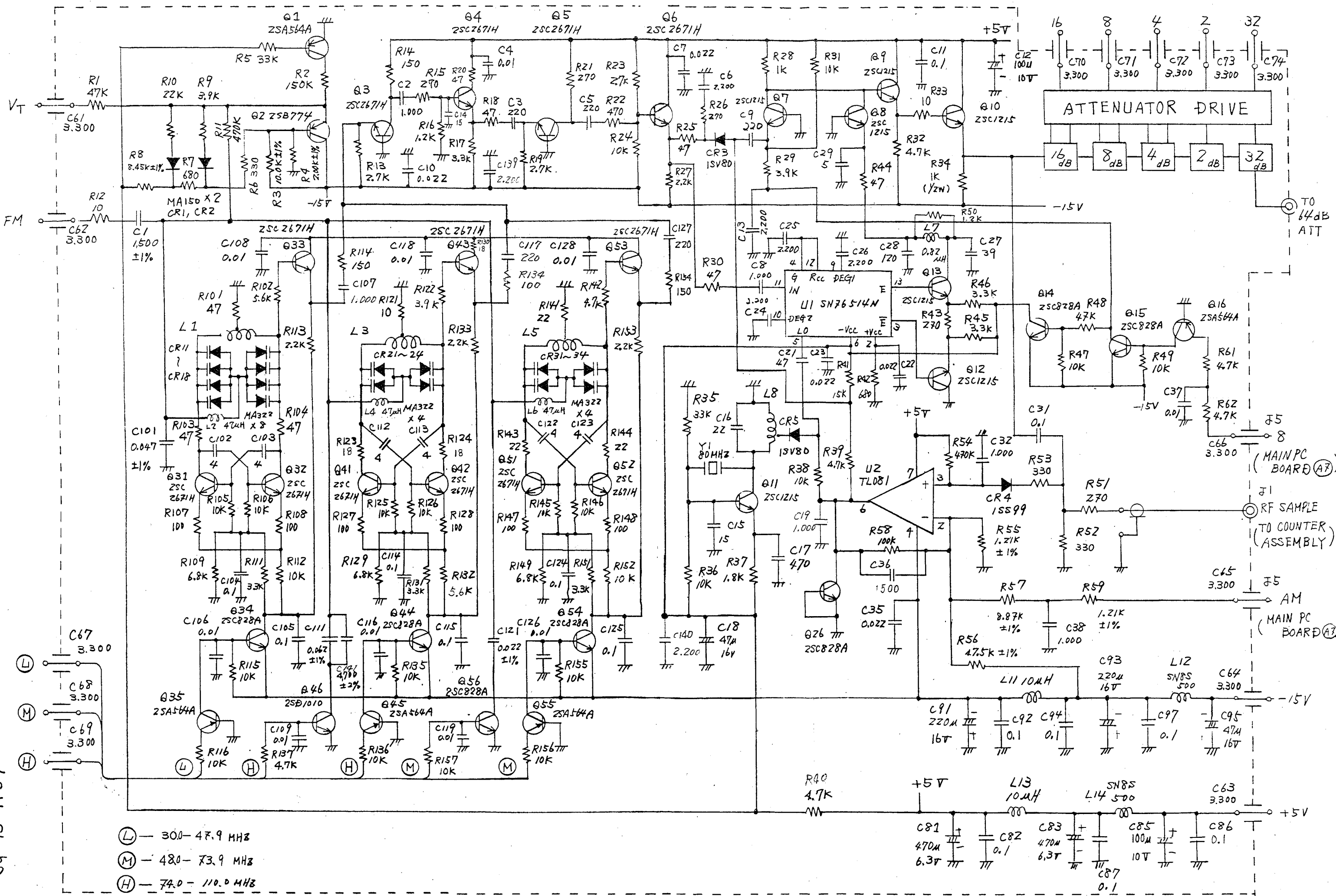


U8 } TC40H000P
U15 }
U9 } SN74LS10N
U11 }
U18 }

+5V...30-110M
GND...01-30M

COUNTER ASSEMBLY (A8)

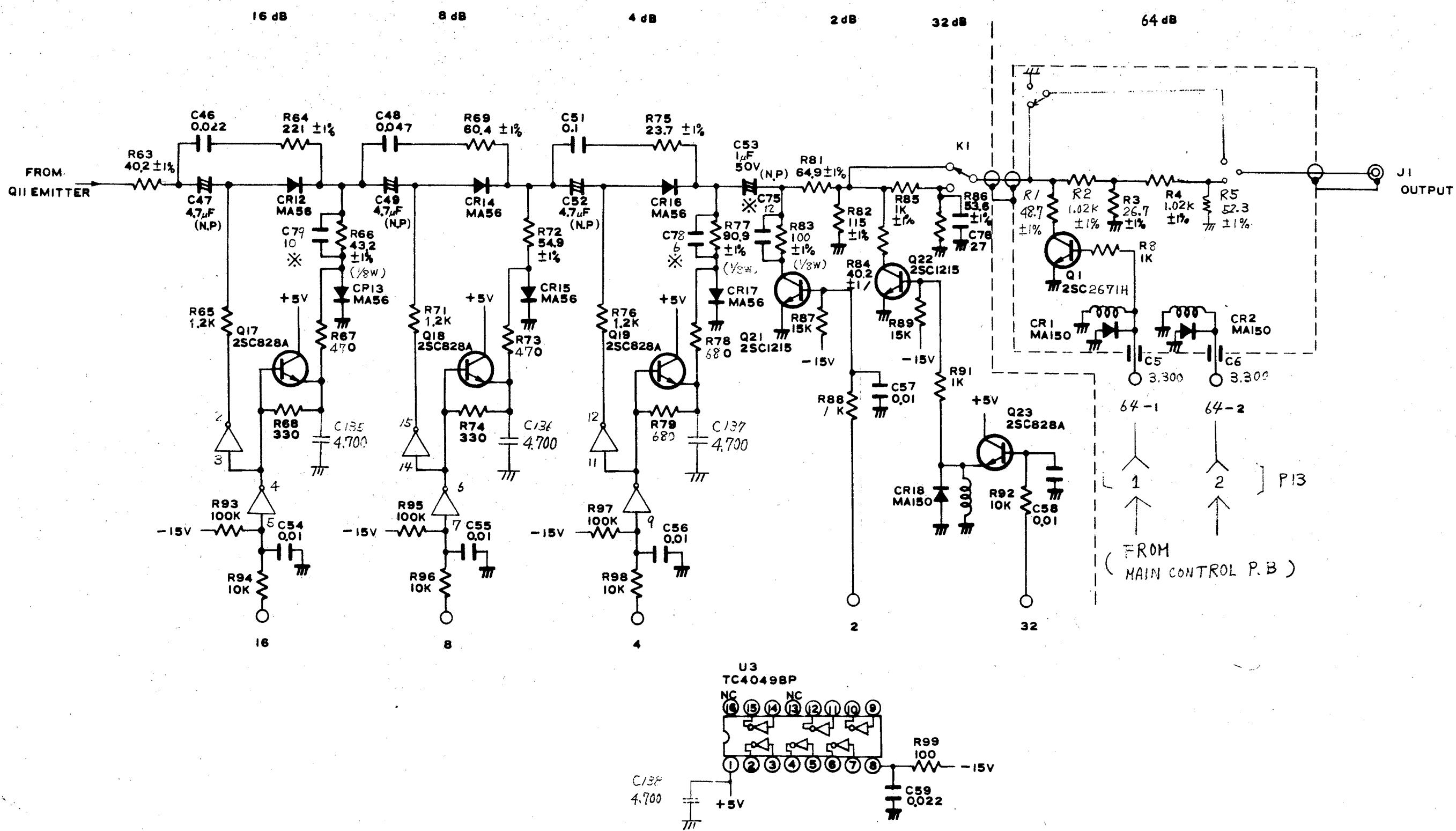
4/ 39-13-1157



- (L) — 300-47.9 MHz
- (M) — 480-73.9 MHz
- (H) — 74.0-110.0 MHz

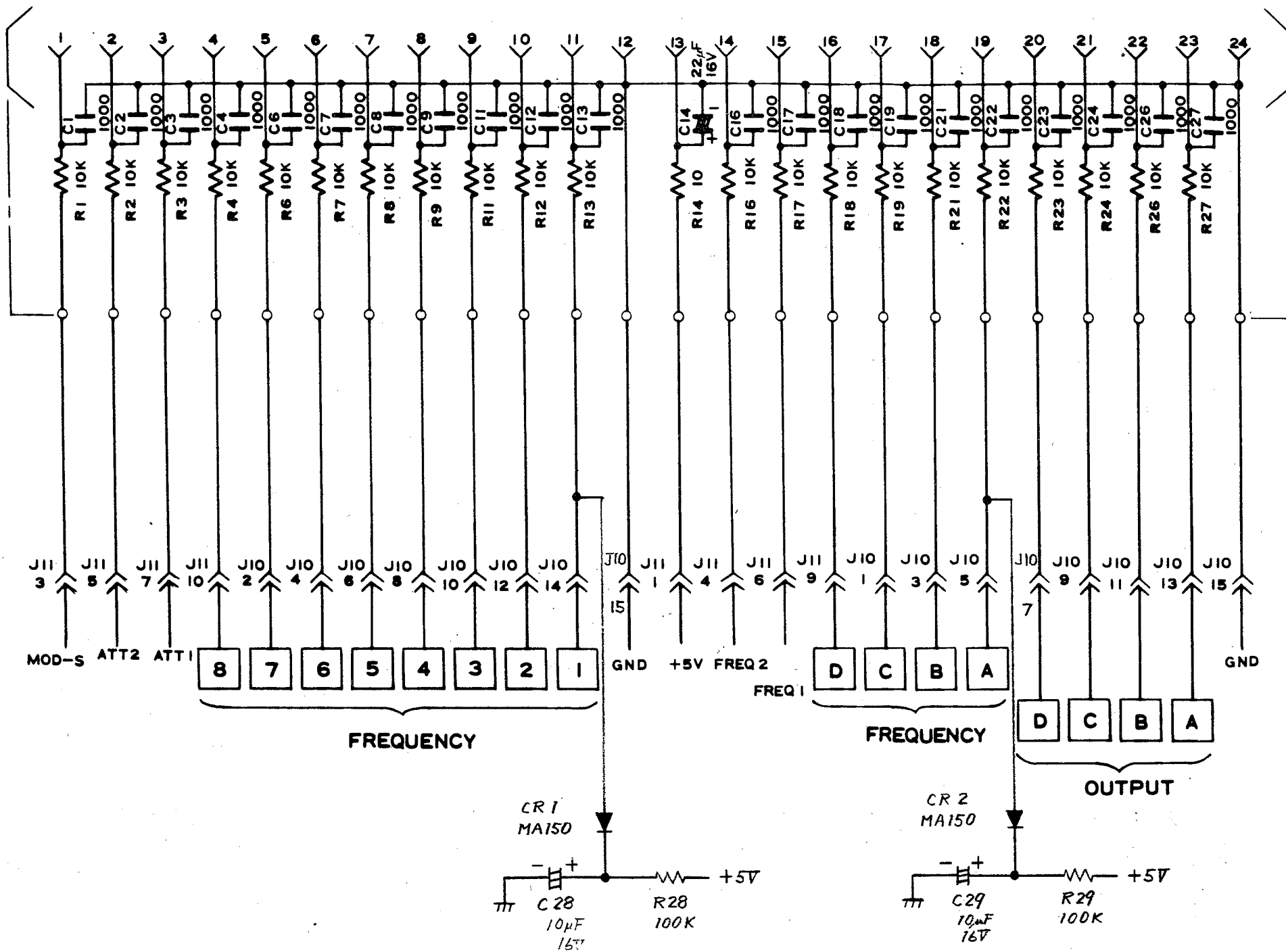
VP-8177A

3G-13-1157



RF ASSEMBLY (A9)
ATT ASSEMBLY (A10)

REMOTE CONTROL



51

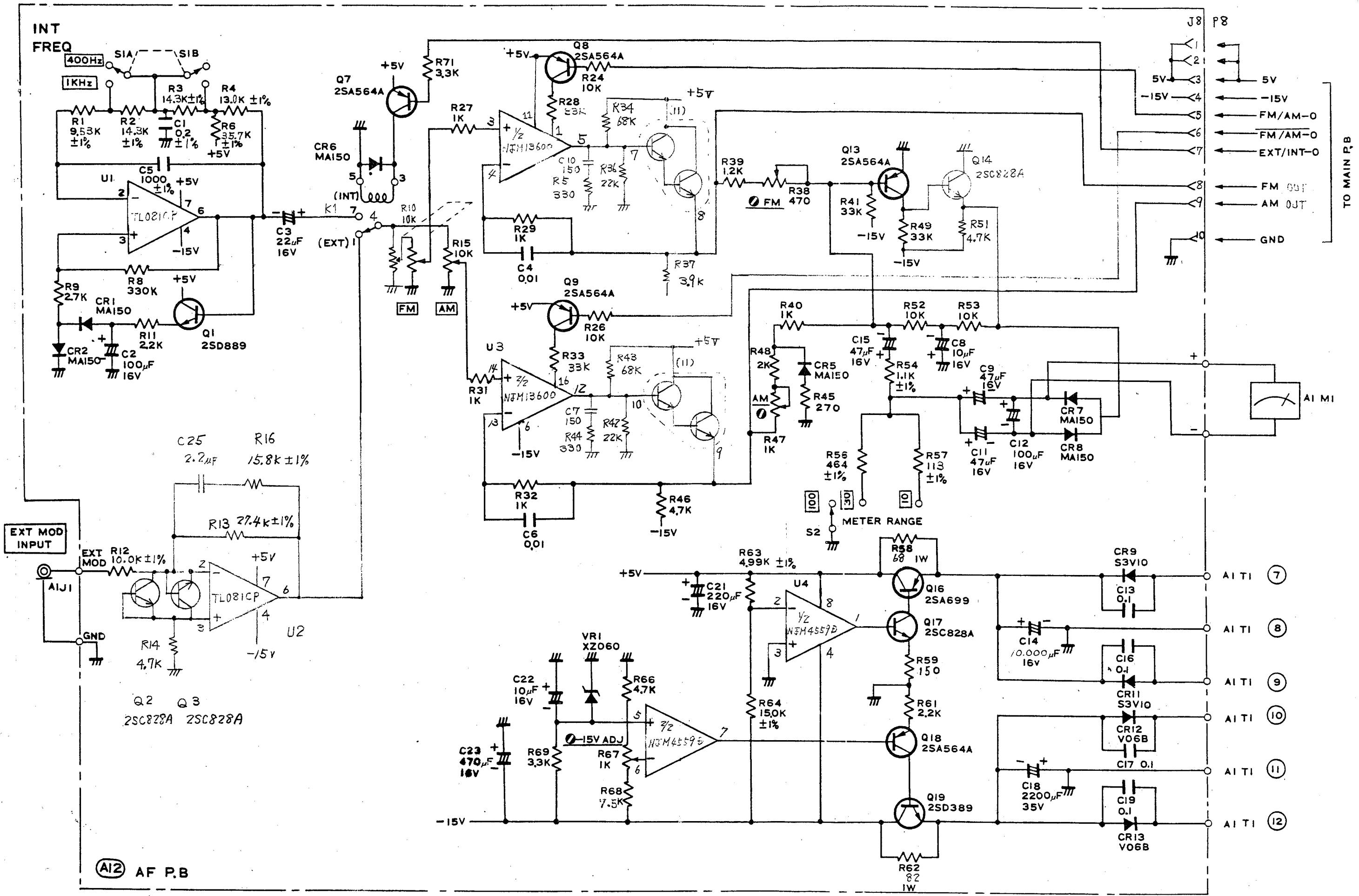
VP-8177A

6/7 3G-13-1157

REMOTE ASSEMBLY (A11)

WP-8177A

3G-13-1157



AF/POWER AI2