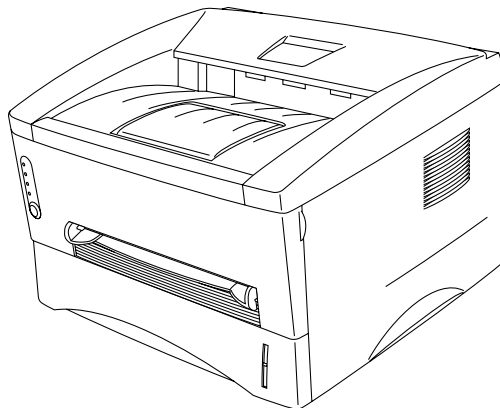




Brother Laser Printer **PARTS REFERENCE LIST**

MODEL: HL-1030/1240/1250/1270N



Read this list thoroughly before maintenance work.

Keep this list in a convenient place for quick and easy reference at all times.

NOTE FOR USING THIS PARTS REFERENCE LIST

1. In the case of ordering parts, it needs mentioning the following items:

- (1) Code
- (2) Q'ty
- (3) Description
- (4) Symbol (PCB No., Revision , and Parts location mounted on the PCB.)

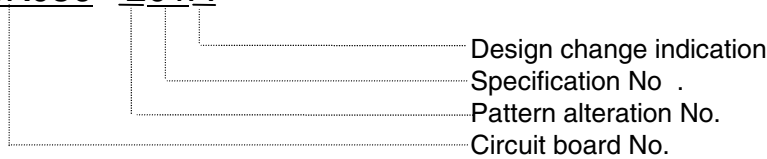
Note : No orders without Parts Code or Tool No. can be accepted.

< Example >

REF.NO.	CODE	Q'TY	DESCRIPTION	SYMBOL	REMARK

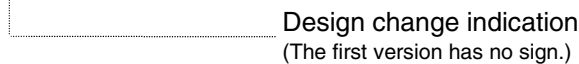
Revision No.: marked on the **main printed circuit board**.

B48K056 - 201A



Revision No.: marked on the **power supply printed circuit board**.

Rev. A



2. Design-changed parts :

If the parts are changed, any one of the following symbols is indicated in the REMARKS column.

- #A : compatible between old and new
- #B : replaceable from old to new
- #D : incompatible
- # : newly established

3. The original of this list was made based on the information available in September, 1999.

4. Parts are subject to change in design without prior notice.

CONTENTS

1.	FRAME / DRIVE UNIT	1
2.	LASER UNIT	1
3.	PAPER FEEDER	3
4.	FIXING UNIT	5
5.	PAPER CASSETTE	7AB
6.	COVERS	9
7.	MAIN PCB	11
8.	ENGINE PCB	13
9.	LOW-VOLTAGE POWER SUPPLY PCB	13
10.	HIGH-VOLTAGE POWER SUPPLY PCB	15
11.	AC CORDS	15
12.	ACCESSORIES	17
13.	PACKING MATERIALS	19
14.	NETWORK BOARD	19
15.	ADJUSTING TOOL	21

1. FRAME / DRIVE UNIT

PR2002157

REF.NO.	CODE	Q'TY	DESCRIPTION	SYMBOL	REMARK
1	UL9311001	1	MAIN MOTOR ASSY		
2	087320616	4	TAPTITE, CUP S M3X6		
3	LJ4069001	1	SOLENOID ASSY		
4	000300415	1	SCREW, BIND M3X4		
5	LJ4432001	1	TAPE 32X12		
6	UL8984001	1	LINK		
7	LJ4745001	1	FAN MOTOR UNIT		
8	UL9099001	1	TONER EMPTY PCB UNIT (LIGHT EMISSION)	B512038	
9	UK4405001	1	PANEL PCB ASSY	B512048	
10	087320616	3	TAPTITE, CUP S M3X6		
11	LJ7403001	4	RUBBER FOOT		
12	UL9104001	1	TONER EMPTY PCB UNIT (LIGHT RECEPTION)	B512037	
13	087320616	2	TAPTITE, CUP S M3X6		
14	LJ8031001	1	LT RELAY PCB ASSY, HL-1250/1270N	B512060	
15	087320616	1	TAPTITE, CUP S M3X6		
16	LE1169001	1	USB GROUND PLATE, HL-1270		
17	UL8970001	1	SOLENOID RELEASE SPRING 30/99		
18	LJ5591001	1	PLANET GEAR ASSY (SP)		
18	LJ5838001	1	PLANET GEAR ASSY B (SP)		
19	UL8985001	1	GEAR 59		
20	LJ5705001	1	GEAR 21 PRESSURE PLATE		
21	087320616	1	TAPTITE, CUP S M3X6		
22	UL8972001	1	P/R CLUTCH LEVER		
23	UL8971001	1	F/R CLUTCH LEVER		
24	UL8982001	1	DEVELOP JOINT		
25	UL8983001	1	JOINT SPRING		
26	UL8959001	4	FRICITION SPRING		DELETE

MODEL HL-1030/1240/1250/1270/1270N 84U-Z04/Z01/Z02/Z05/Z03-010

T/I NO. PR99165 / PR2000014 / PR2000073 / PR2000132 / PR2000152 / PR2001023 / PR2001049
 PR2001061/ PR2001100 / PR2002013 / PR2002098 / PR2002139 / PR2002157

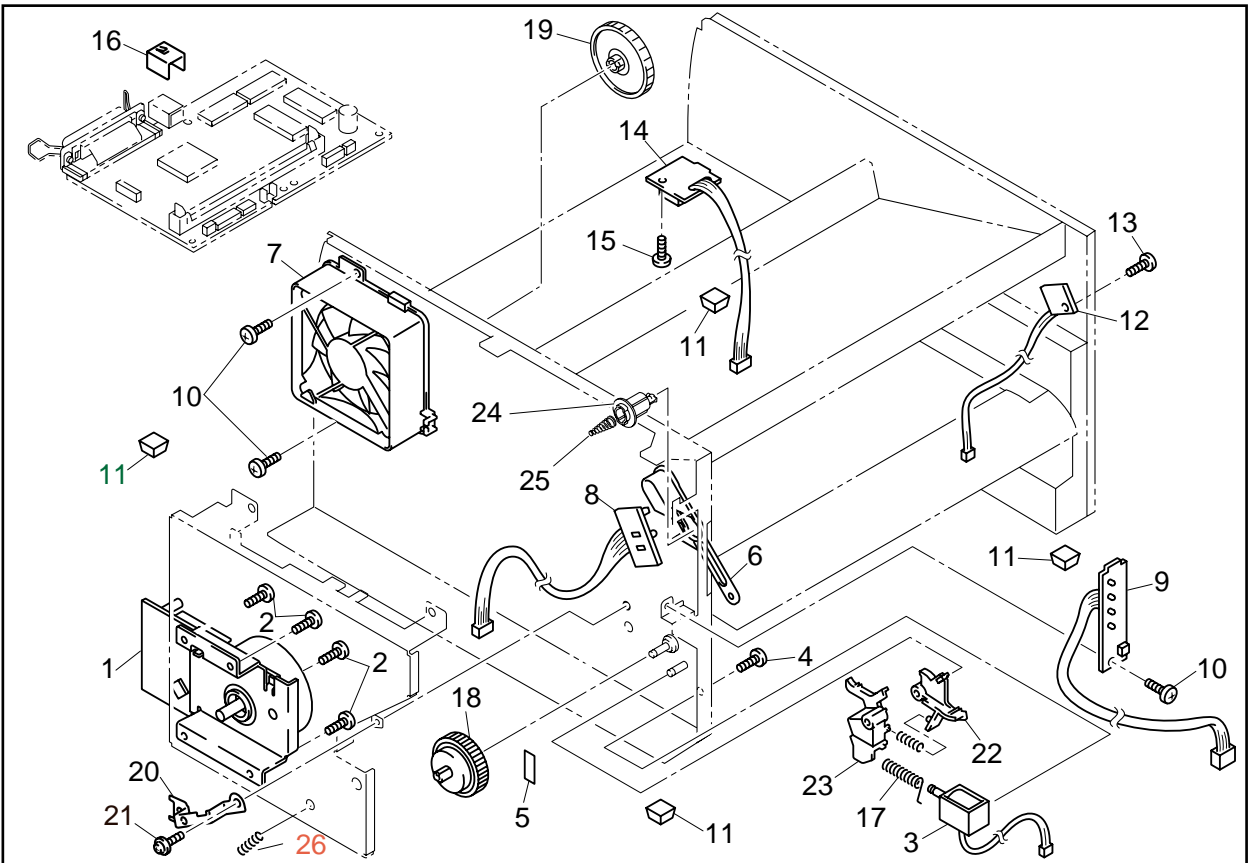
2. LASER UNIT

REF.NO.	CODE	Q'TY	DESCRIPTION	SYMBOL	REMARK
1	LJ4157001	1	LASER UNIT (SP)	(B512033)	
2	087321615	3	TAPTITE, CUP S M3X16		

MODEL HL-1030/1240/1250/1270/1270N 84U-Z04/Z01/Z02/Z05/Z03-020

1. FRAME / DRIVE UNIT

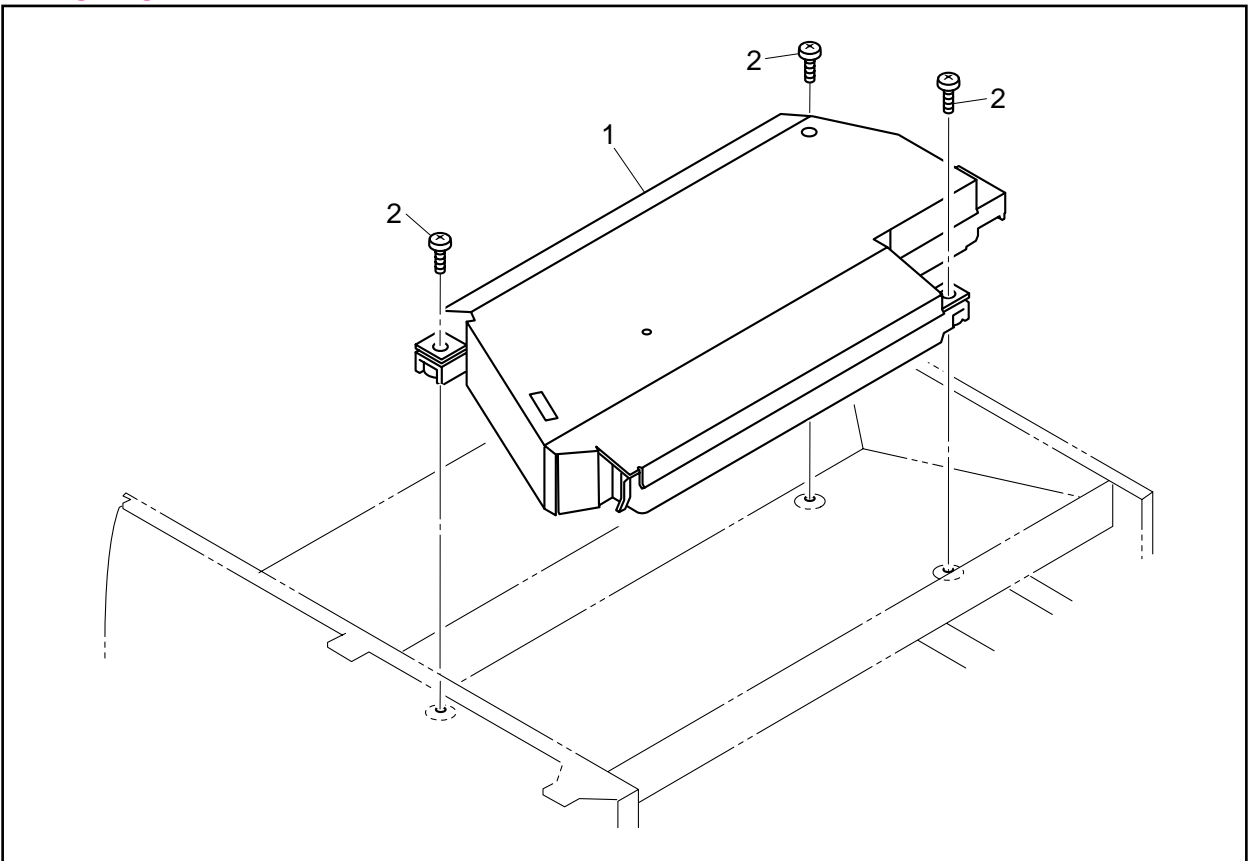
PR2002098



MODEL HL-1030/1240/1250/1270/1270N 84U-Z04/Z01/Z02/Z05/Z03-010

T/I NO. PR99165 / PR2000014 / PR2000073 / PR2000152 / PR2001023 / PE2001049 / PR2001061 / PR2001100 / PR2002013 / PR2002098

2. LASER UNIT



MODEL HL-1030/1240/1250/1270/1270N 84U-Z04/Z01/Z02/Z05/Z03-020

3. PAPER FEEDER

REF.NO.	CODE	Q'TY	DESCRIPTION	REMARK
1	UL9060001	1	PAPER FEED ROLLER ASSY	
2	UL9066001	1	PAPER PICK-UP ROLLER ASSY	
3	UL9071001	1	TR ELECTRODE HELICAL SPRING A	
3	LJ4499001	1	TR ELECTRODE HELICAL SPRING B	
4	LJ4843001	1	OUTER CHUTE 1 (SP)	
5	UL9070001	1	GEAR 21	
6	UL9059001	1	JOINT 5	
7	UL9062001	1	BEARING 5	
8	UL9069001	1	CONDUCTOR BEARING 5	

CAUTION:

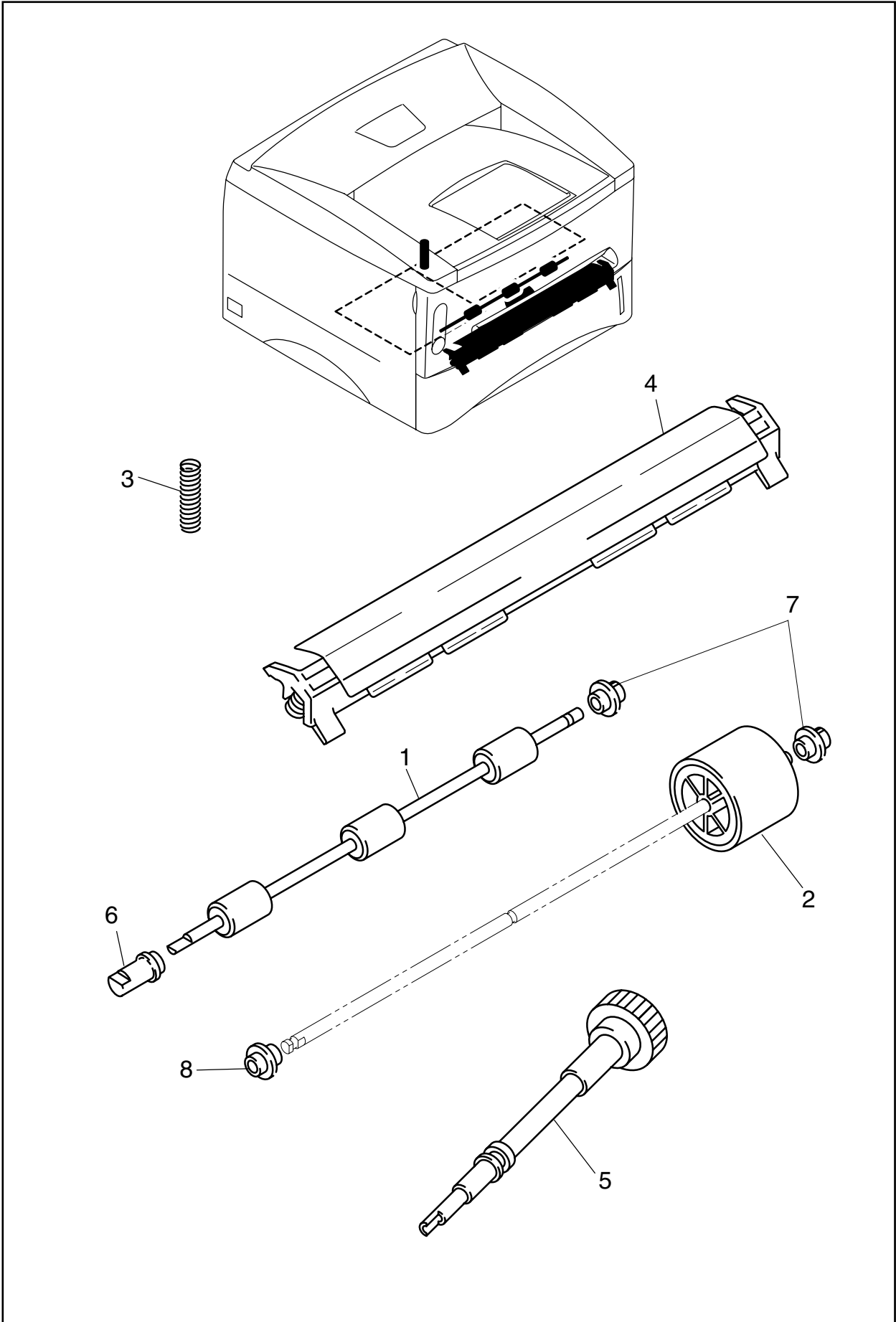
1) The new version of the TR electrode helical spring, [TR ELECTRODE HELICAL SPRING B \(LJ4499001\)](#) should be used for ALL HL-1030/1270N printers and the HL-1240/1250 printers whose serial No. is the following number or later;

HL-1240: **J9J211817** - (EXCEPT J9J212235 - J9J217459, J9J219423 - J9J219997)

HL-1250: **J9J221758** -

2) The old version of the TR electrode helical spring, [TR ELECTRODE HELICAL SPRING A \(UL9071001\)](#) should be used for HL-1240/1250 whose serial No. is before the number above and the numbers in the range of J9J212235 - J9J217459 & J9J219423 - J9J219997.

3) The old and new versions of the TR electrode helical spring are incompatible with each other.



MODEL HL-1030/1240/1250/1270N 84U-Z04/Z01/Z02/Z03-045/047

T/I NO. PR2000051 / PR2000108 / PR2000130

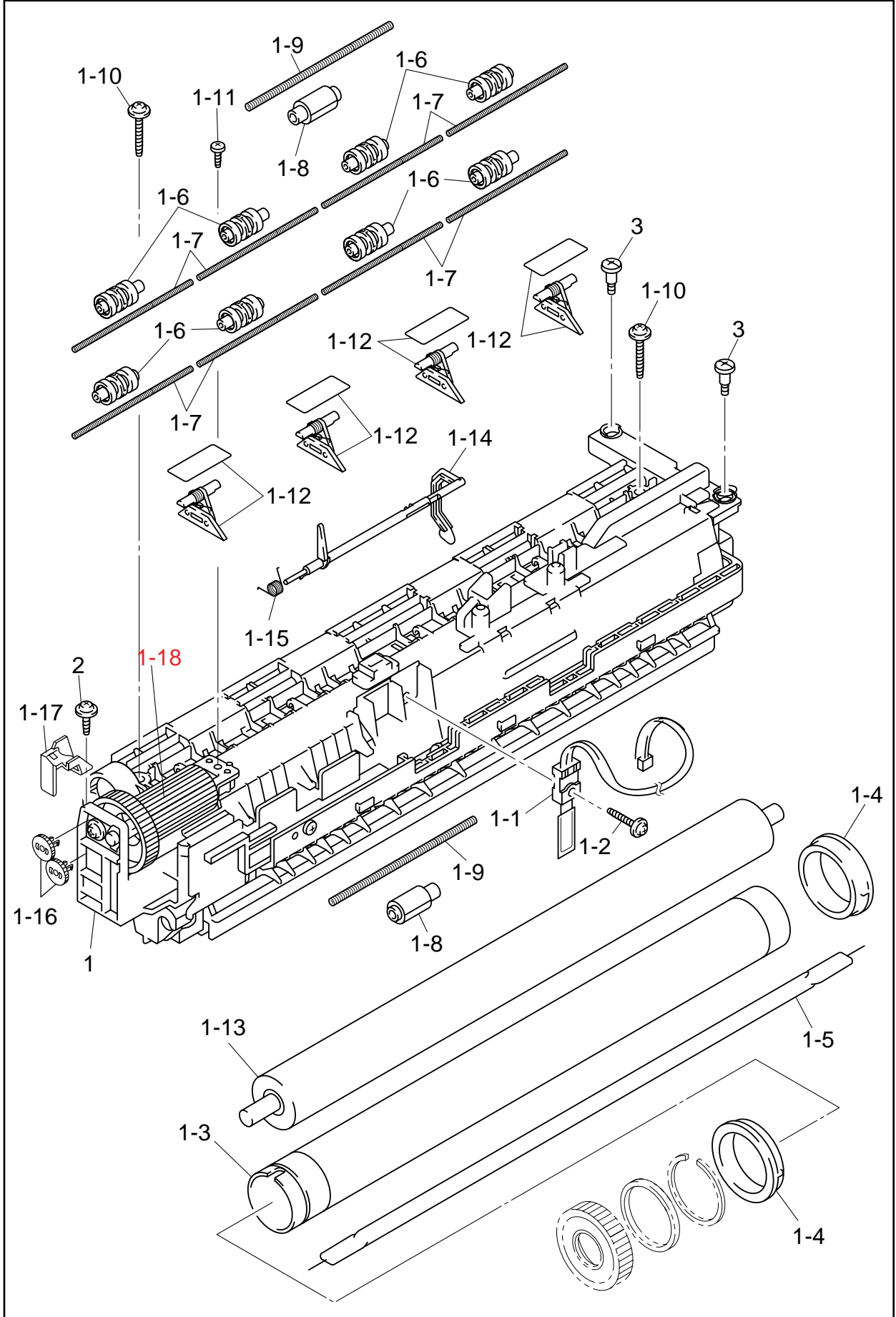
4. FIXING UNIT

PR2002144

REF.NO.	CODE	Q'TY	DESCRIPTION	REMARK
1	LJ7759001	1	FIXING UNIT, 115V (SP)	CHNG
1	LJ7760001	1	FIXING UNIT, 230V (SP)	CHNG
1	LJ4718001	1	FIXING UNIT, 230V LEG (SP)	
1-1	UL8902001	1	THERMISTOR ASSY	
1-2	087311215	1	TAPTITE, CUP B M3X12	
1-3	LJ4169001	1	HEAT ROLLER 25 (SP)	
1-3	LJ4719001	1	HEAT ROLLER 25 LEG (SP)	
1-4	UL8908001	2	HR BEARING 25	
1-5	LJ4160001	1	HALOGEN LAMP, 115V (SP)	
1-5	LJ4163001	1	HALOGEN LAMP, 230V (SP)	
1-6	UL8929001	8	EJECT PINCH ROLLER	
1-7	LJ4431001	8	PINCH SPRING	
1-8	LJ4407001	2	CLEANER ROLLER ASSY	
1-9	LJ4409001	2	CLEANER SPRING	
1-10	087312015	2	TAPTITE, CUP B M3X20	
1-11	Z07200001	1	TAPTITE, PAN B M3X10	
1-12	LJ4845001	4	PICK OFF FINGER (SP)	
1-13	LJ4853001	1	PRESSURE ROLLER 20 (SP)	
1-13	LJ4852001	1	PRESSURE ROLLER 20 LE (SP)	
1-14	UL8920001	1	PAPER EJECT ACTUATOR	
1-15	UL8921001	1	EJECT ACTUATOR SPRING	
1-16	UL8914001	2	IDLE GEAR 13	
1-17	LJ5871001	1	IDLE GEAR HOLDER	
1-18	UL8923001	1	FU DRIVE GEAR 20/38	ADD
1-19	LJ7256001	1	EJECT ROLLER SHAFT L	ADD
1-20	LJ7257001	1	EJECT ROLLER ASSY R	ADD
1-20-1	LJ7258001	1	EJECT ROLLER SHAFT R	ADD
1-21	LJ7259001	1	EJECT ROLLER BUSHING L	ADD
1-22	LJ7260001	1	EJECT ROLLER BUSHING R	ADD
1-23	LJ7261001	1	FU FRAME LOWER 2	ADD
1-24	LJ7262001	1	EJECT ROLLER JAM REMOVE TOOL	ADD
2	087320815	1	TAPTITE, CUP S M3X8	
3	LJ4740001	2	SHOULDER SCREW	

MODEL HL-1030/1240/1250/1270/1270N 84U-Z04/Z01/Z02/Z05/Z03-050/051

T/I NO. PR99179, PR99186, PR2000029, PR2000057, PR2000157, PR2001118 / PR2002091 / PR2002144



MODEL HL-1030/1240/1250/1270/1270N 84U-Z04/Z01/Z02/Z05/Z03-045/047

T/I NO. PR2000029 / PR2000057 / PR2001118 / PR2002091

5-1. PAPER CASSETTE, LGL

PR2002009

REF.NO.	CODE	Q'TY	DESCRIPTION	REMARK
1	LE1162001	1	PAPER TRAY ASSY, LGL (SP)	
1-1	LJ4537001	1	PRESSURE PLATE ASSY, LGL	
1-2	UL9077001	2	PRESSURE PLATE SPRING	
1-3	UL9078001	1	SIDE GUIDE L	
1-4	UL9079001	1	SIDE GUIDE R	
1-5	U73515001	2	TAPTITE, CUP B M2.6X5	
1-6	UL9080001	2	SIDE GUIDE RACK	
1-7	UL9081001	1	SIDE GUIDE GEAR	
1-8	UL9082001	1	FRICTION SPRING	
1-9	087310815	1	TAPTITE, CUP B M3X8	
1-10	UL9083001	1	REAR PAPER GUIDE	
1-11	UL9084001	1	SEPARATION PAD HOLDER ASSY	
1-12	UL9090001	1	SEPARATION PAD SPRING	
1-13	UL9091001	1	PAPER INDICATOR	
1-14	UL9092001	1	LOCK LEVER	
1-15	LJ4534001	1	PRESSURE ROLLER HOLDER, LGL	
1-16	LJ4892001	1	PRESSURE ROLLER COLLAR 2 ASSY	CHNG
1-17	UL9095001	1	RELEASE LEVER EXTENSION SPRING	
1-18	LJ2061001	1	PAPER TRAY COVER	
1-19	UF8709001	1	TAPTITE, TORX PAN B M3X8	
1-20	LJ4272001	1	TRAY COVER FILM	
1-21	LJ4221001	1	SCRATCH SPONGE HOLDER ASSY	
1-22	LJ4200001	2	SCRATCH SPONGE SPRING	
1-23	LJ4865001	1	MYLAR LABEL 1240 TRAY	
1-24	LJ4332001	1	TRAY FEED GUIDE ASSY	ADD

MODEL HL-1030/1240/1250/1270/1270N 84U-Z04/Z01/Z02/Z05/Z03-045

T/I NO. PR2000066 / PR2000127 / PR2002009

5-2. PAPER CASSETTE, A4

PR2002009

REF.NO.	CODE	Q'TY	DESCRIPTION	REMARK
1	LJ4181001	1	PAPER TRAY ASSY, A4 (SP)	
1-1	UL9074001	1	PRESSURE PLATE ASSY, A4	
1-2	UL9077001	2	PRESSURE PLATE SPRING	
1-3	UL9078001	1	SIDE GUIDE L	
1-4	UL9079001	1	SIDE GUIDE R	
1-5	U73515001	2	TAPTITE, CUP B M2.6X5	
1-6	UL9080001	2	SIDE GUIDE RACK	
1-7	UL9081001	1	SIDE GUIDE GEAR	
1-8	UL9082001	1	FRICTION SPRING	
1-9	087310815	1	TAPTITE, CUP B M3X8	
1-10	UL9083001	1	REAR PAPER GUIDE	
1-11	UL9084001	1	SEPARATION PAD HOLDER ASSY	
1-12	UL9090001	1	SEPARATION PAD SPRING	
1-13	UL9091001	1	PAPER INDICATOR	
1-14	UL9092001	1	LOCK LEVER	
1-15	LJ4196001	1	PRESSURE ROLLER HOLDER, A4	
1-16	LJ4892001	1	PRESSURE ROLLER COLLAR 2 ASSY	CHNG
1-17	UL9095001	1	RELEASE LEVER EXTENSION SPRING	
1-18	LJ2061001	1	PAPER TRAY COVER	
1-19	UF8709001	1	TAPTITE, TORX PAN B M3X8	
1-20	LJ4272001	1	TRAY COVER FILM	
1-21	LJ4221001	1	SCRATCH SPONGE HOLDER ASSY	
1-22	LJ4200001	2	SCRATCH SPONGE SPRING	
1-24	LJ4332001	1	TRAY FEED GUIDE ASSY	ADD

MODEL HL-1030/1240/1250/1270/1270N 84U-Z04/Z01/Z02/Z05/Z03-047

T/I NO. PR2000127 / PR2002009

5-3. PAPER CASSETTE, PB

PR2002009

REF.NO.	CODE	Q'TY	DESCRIPTION	REMARK
1	LJ4639001	1	PAPER TRAY ASSY 3 (SP)	
1-1	UL9074001	1	PRESSURE PLATE ASSY, A4	
1-2	LJ4621001	2	PRESSURE PLATE SPRING 340	
1-3	UL9078001	1	SIDE GUIDE L	
1-4	UL9079001	1	SIDE GUIDE R	
1-5	U73515001	2	TAPTITE, CUP B M2.6X5	
1-6	UL9080001	2	SIDE GUIDE RACK	
1-7	UL9081001	1	SIDE GUIDE GEAR	
1-8	UL9082001	1	FRICTION SPRING	
1-9	087310815	1	TAPTITE, CUP B M3X8	
1-10	UL9083001	1	REAR PAPER GUIDE	
1-11	UL9084001	1	SEPARATION PAD HOLDER ASSY	
1-12	LJ4705001	1	SEPARATION PAD SPRING 300	
1-13	UL9091001	1	PAPER INDICATOR	
1-14	UL9092001	1	LOCK LEVER	
1-15	LJ4196001	1	PRESSURE ROLLER HOLDER	
1-16	LJ4893001	1	PRESSURE ROLLER COLLAR 2 ASSY	CHNG
1-17	UL9095001	1	RELEASE LEVER EXTENSION SPRING	
1-18	LJ2061001	1	PAPER TRAY COVER	
1-19	UF8709001	1	TAPTITE, TORX PAN B M3X8	
1-20	LJ4272001	1	TRAY COVER FILM	
1-21	LJ4221001	1	SCRATCH SPONGE HOLDER ASSY	
1-22	LJ4200001	2	SCRATCH SPONGE SPRING	
1-24	LJ4332001	1	TRAY FEED GUIDE ASSY	ADD

MODEL HL-1240 84U-Z01-049

T/I NO. PR99179 / PR2000127 / PR2002009

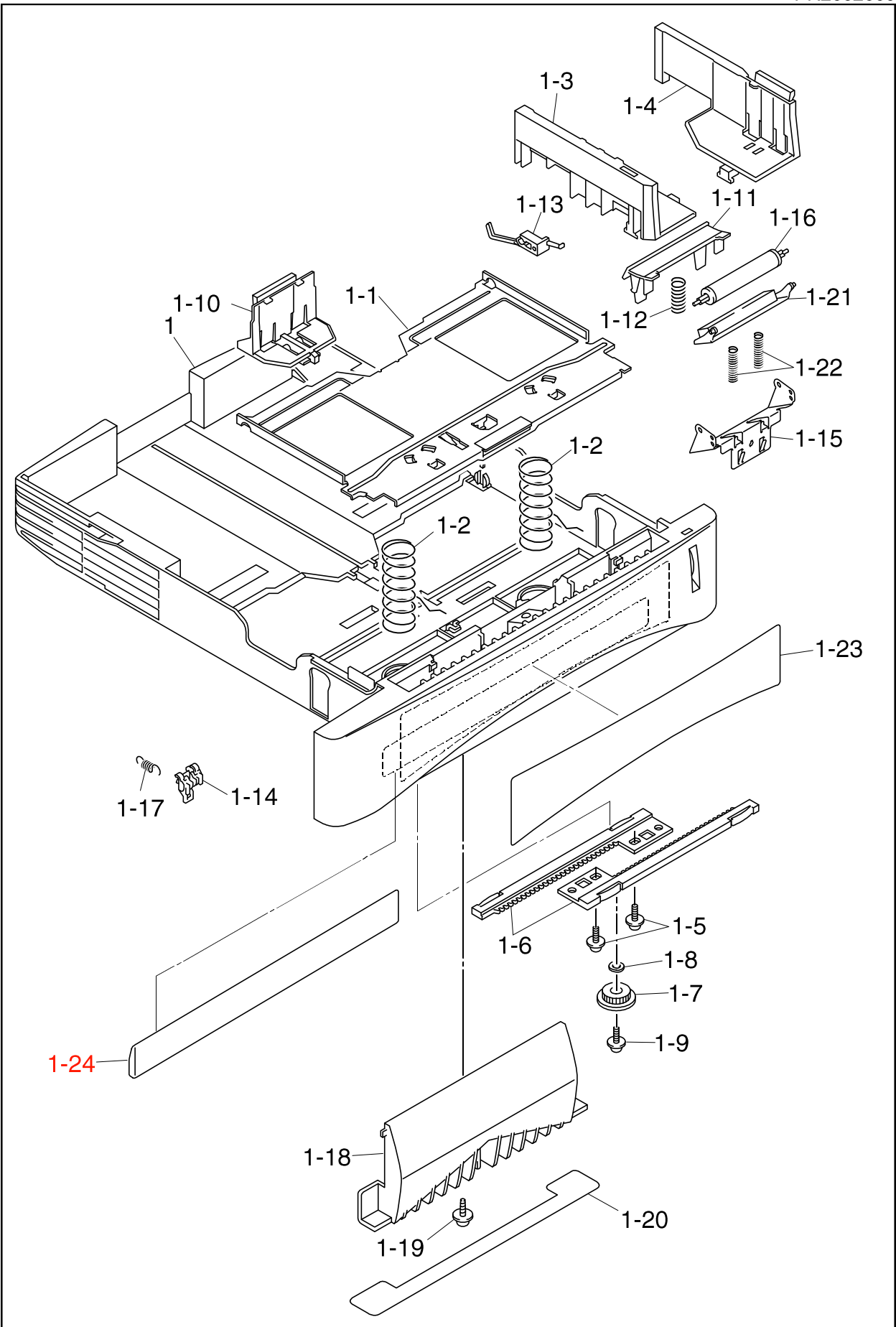
5-4. PAPER CASSETTE, LEG

PR2002009

REF.NO.	CODE	Q'TY	DESCRIPTION	REMARK
1	LJ4684001	1	PAPER TRAY ASSY, LEG (SP)	
1-1	UL9074001	1	PRESSURE PLATE ASSY, A4	
1-2	UL9077001	2	PRESSURE PLATE SPRING	
1-3	UL9078001	1	SIDE GUIDE L	
1-4	UL9079001	1	SIDE GUIDE R	
1-5	U73515001	2	TAPTITE, CUP B M2.6X5	
1-6	UL9080001	2	SIDE GUIDE RACK	
1-7	UL9081001	1	SIDE GUIDE GEAR	
1-8	UL9082001	1	FRICTION SPRING	
1-9	087310815	1	TAPTITE, CUP B M3X8	
1-10	UL9083001	1	REAR PAPER GUIDE	
1-11	UL9084001	1	SEPARATION PAD HOLDER ASSY	
1-12	LJ4622001	1	SEPARATION PAD SPRING 250	
1-13	UL9091001	1	PAPER INDICATOR	
1-14	UL9092001	1	LOCK LEVER	
1-15	LJ4196001	1	PRESSURE ROLLER HOLDER, A4	
1-16	LJ4892001	1	PRESSURE ROLLER COLLAR 2 ASSY	CHNG
1-17	UL9095001	1	RELEASE LEVER EXTENSION SPRING	
1-18	LJ2061001	1	PAPER TRAY COVER	
1-19	UF8709001	1	TAPTITE, TORX PAN B M3X8	
1-20	LJ4272001	1	TRAY COVER FILM	
1-21	LJ4221001	1	SCRATCH SPONGE HOLDER ASSY	
1-22	LJ4200001	2	SCRATCH SPONGE SPRING	
1-24	LJ4332001	1	TRAY FEED GUIDE ASSY	ADD

MODEL HL-1240/1250/1270N 84U-Z06/Z07/08-043

T/I NO. PR99179 / PR2000127 / PR20002009



MODEL HL-1030/1240/1250/1270N 84U-Z04/Z01/Z02/Z03-045/047

T/I NO. PR2000066 / PR2000127 / PR2002009

6. COVERS

PR2002052

REF.NO.	CODE	Q'TY	DESCRIPTION	REMARK
1	LJ5753001	1	MAIN COVER ASSY	
1-1	LJ7292001	1	HEAT PROTECTION FILM	ADD
2	UL9122001	4	PINCH ROLLER ASSY	
3	UL9125001	4	PINCH ROLLER SPRING	
4	LJ5763001	1	REAR COVER	
5	UL9127001	1	REAR COVER SPRING L	
6	UL9128001	1	REAR COVER SPRING R	
7	UL9129001	1	FRONT COVER ASSY	
7	LJ4526001	1	FRONT COVER ASSY LE	
8	UL9140001	1	TRAY EXTENSION FLAP	
9	UL9088001	1	TOP COVER	
10	UL9142001	1	SECOND EJECT ROLLER ASSY	
11	087321015	2	TAPTITE, CUP S M3X10	
12	085320816	6	TAPTITE, BIND S M3X8	
13	LJ8166001	1	MODEL PLATE 1030	
13	UL9143001	1	MODEL PLATE 1240	
13	UL9315001	1	MODEL PLATE 1250	
13	LJ4794001	1	MODEL PLATE 1270	
13	LJ4135001	1	MODEL PLATE 1270N	
13	LJ4452001	1	MODEL PLATE J624	
13	LJ4460001	1	MODEL PLATE 2312P	
13	LJ4496001	1	MODEL PLATE 2412P	
13	LJ4724001	1	MODEL PLATE 8212N	
13	LJ4772001	1	MODEL PLATE 1500 WIP	
13	LJ4846001	1	MODEL PLATE 1700 WIP	
13	LJ4848001	1	MODEL PLATE 1900 WIP	
14	UL6740001	1	LASER CAUTION LABEL, EUR	
14	UL7931001	1	LASER LABEL LEGEND	
15	LJ8167001	1	MYLAR LABEL 1030, CAN	
15	LJ8172001	1	MYLAR LABEL 1030, EUR	
15	UL9146001	1	MYLAR LABEL 1240, US	
15	UL9249001	1	MYLAR LABEL 1240, CAN	
15	UL9250001	1	MYLAR LABEL 1240, EUR	
15	UL9316001	1	MYLAR LABEL 1250, US	
15	LJ4078001	1	MYLAR LABEL 1250, CAN	
15	UL9317001	1	MYLAR LABEL 1250, EUR	
15	LJ4136001	1	MYLAR LABEL 1270N, US	
15	LJ4232001	1	MYLAR LABEL 1270N, CAN	
15	LJ4137001	1	MYLAR LABEL 1270N, EUR	
16	LJ4905001	1	FAN GUARD	
17	UL9145001	1	PROCESS UNIT OP LABEL	
18	LJ4855001	1	TRAY REAR COVER ASSY	
19	LJ5834001	1	TRAY REAR COVER LGL ASSY	

MODEL HL-1030/1240/1250/1270/1270N 84U-Z04/Z01/Z02/Z05/Z03-060

T/I NO. PR99165 / PR99179 / PR99204 / PR2000005 / PR2000055 / PR2000066 / PR2000075 / PR2000108 / PR2000129 / PR2002017/ PR2002052

7. MAIN PCB

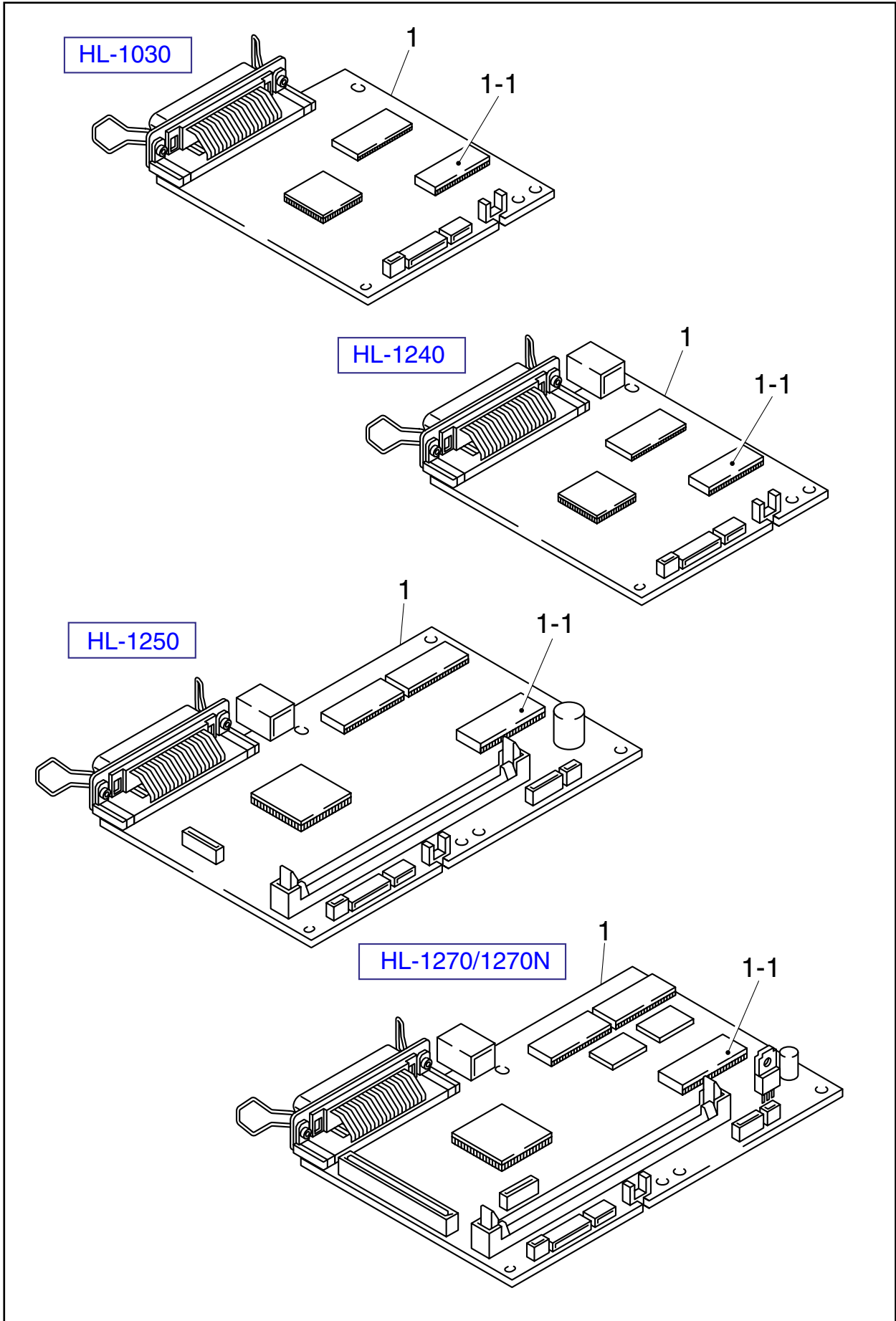
PR2002121

REF.NO.	CODE	Q'TY	DESCRIPTION	SYMBOL	REMARK
1	LJ8239001	1	MAIN PCB ASSY, HL-1030 US (SP)	B512040-450F	NAME CHNG
1	LJ8309001	1	MAIN PCB ASSY, HL-1030 EU (SP)	B512040-477F	
1	LJ8066001	1	MAIN PCB ASSY, HL-1240 US (SP)	B512040-410H	NAME CHNG
1	LJ8303001	1	MAIN PCB ASSY, HL-1240 EU (SP)	B512040-447H	
1	LJ8067001	1	MAIN PCB ASSY, HL-1240 HEB (SP)	B512040-411B	
1	LJ8251001	1	MAIN PCB ASSY, HL-1240 PB (SP)	B512040-445H	
1	LJ8160001	1	MAIN PCB ASSY, 2312P LEG (SP)	B512040-413F	
1	LJ8318001	1	MAIN PCB ASSY, HL-1250-2 US (SP)	B512115-160C	NAME CHNG
1	LJ8305001	1	MAIN PCB ASSY, HL-1250-2 EU (SP)	B512115-177C	
1	LJ8306001	1	MAIN PCB ASSY, HL-1250-2 DEN (SP)	B512115-178C	
1	LJ8326001	1	MAIN PCB ASSY, HL-1250-2 LEG (SP)	B512115-163D	
1	LJ8328001	1	MAIN PCB ASSY, HL-1270N-2 US (SP)	B512115-180B	NAME CHNG
1	LJ8307001	1	MAIN PCB ASSY, HL-1270N-2 EU (SP)	B512115-197B	
1	LJ8308001	1	MAIN PCB ASSY, HL-1270N-2 DEN (SP)	B512115-198B	
1	LJ8329001	1	MAIN PCB ASSY, HL-1270N-2 LEG (SP)	B512115-163A	
1-1	LJ8295001	1	MASK ROM, HL-1030/1240		
1-1	LJ8047001	1	MASK ROM, HL-1240 HEB		
1-1	LJ8797001	1	MASK ROM, HL-1250		
1-1	LJ8310001	1	MASK ROM, HL-1270N		

MODEL HL-1030/1240/1250/1270/1270N 84U-Z04/Z01/Z02/Z05/Z03-101/103

T/I NO. PR99165 / PR99179 / PR99194 / PR99198 / PR99203 / PR99207/ PR2000015 / PR2000074 / PR2000109 / PR2000124 / PR2000134 / PR2001060 / PR2001067 / PR2001127 /PR2002121

7.MAIN PCB



MODEL HL-1030/1240/1250/1270N 84U-Z04/Z01/Z02/Z03-101/103

T/I NO. PR99165 / PR2000124

8. ENGINE PCB

PR2002097

REF.NO.	CODE	Q'TY	DESCRIPTION	SYMBOL	REMARK
1	LJ4178001	1	ENGINE PCB ASSY A, 1240 (SP)	B512059-101D	VER.CHNG.
1	LJ8157001	1	ENGINE PCB ASSY B, 1030/1240 (SP)	B512075-121D	
1	LJ4222001	1	ENGINE PCB ASSY A, 1250 (SP)	B512059-102D	VER.CHNG.
1	LJ8158001	1	ENGINE PCB ASSY B, 1250/1270 (SP)	B512059-122C	VER.CHNG.

CAUTION:

1) The new versions of the engine PCB, **ENGINE PCB ASSY B, 1240/1030 (LJ8157001)** & **ENGINE PCB ASSY B, 1250/1270 (LJ8158001)** should be used for ALL HL-1030/1270N printers and the HL-1240/1250 printers whose serial No. is the following number or later;

HL-1240: **J9J211817** - (EXCEPT J9J212235 - J9J217459, J9J219423 - J9J219997)
 HL-1250: **J9J221758** -

2) The old versions of the engine PCB, **ENGINE PCB ASSY A, 1240 (LJ4178001)** & **ENGINE PCB ASSY A, 1250 (LJ4222001)** should be used for HL-1240/1250 whose serial No. is before the number above and the numbers in the range of J9J212235 - J9J217459 & J9J219423 - J9J219997.

3) The old and new versions of the engine PCB are incompatible with each other.

MODEL HL-1030/1240/1250/1270/1270N 84U-Z04/Z01/Z02/Z05/Z03-151

T/I NO. PR99165 / PR99197 / PR99202 / PR99213 / PR2000016 / PR2000121

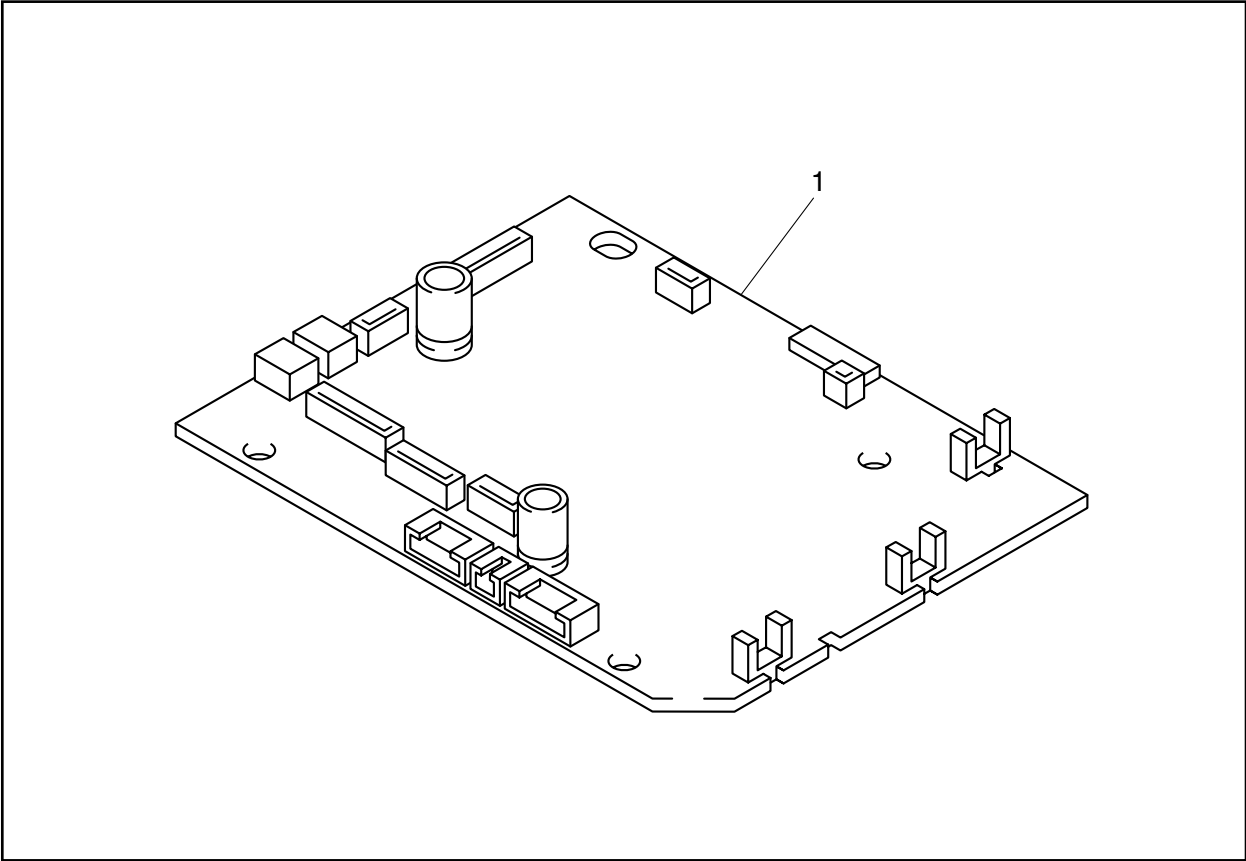
9. LOW-VOLTAGE POWER SUPPLY PCB

REF.NO.	CODE	Q'TY	DESCRIPTION	SYMBOL	REMARK
1	LG4015001	1	PS PCB ASSY ZLE-B,115V		
1	LG4016001	1	PS PCB ASSY ZLE-B,230V		
2	UK4426001	1	INLET UNIT, 115V		
2	UK4430001	1	INLET UNIT, 230V		
3	085320816	1	TAPTITE, BIND S M3X8		
4	087320616	1	TAPTITE, CUP S M3X6		
5	LJ4756001	1	AC INLET FILM		
6	LJ8330001	1	PROTECTION TUBE		

MODEL HL-1030/1240/1250/1270/1270N 84U-Z04/Z01/Z02/Z05/Z03-200/201

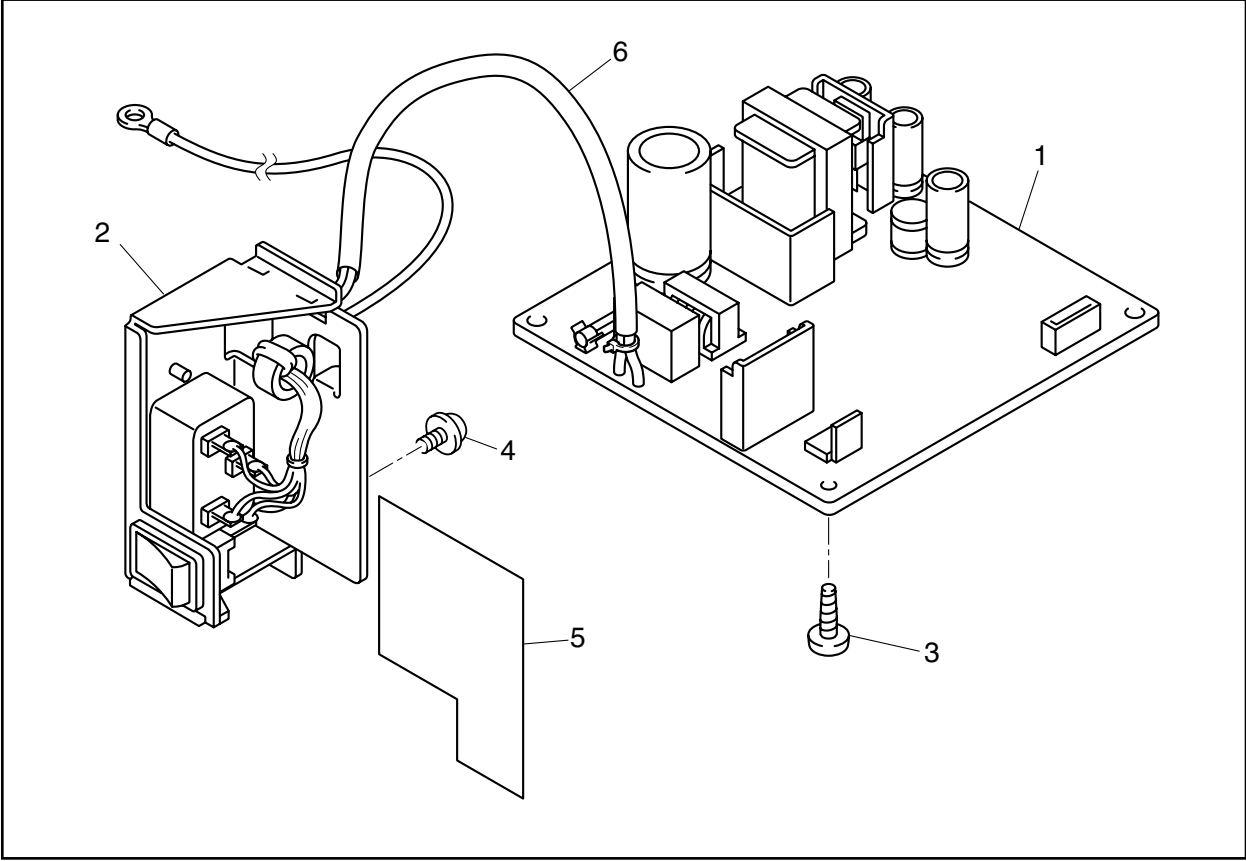
T/I NO. PR99188 / PR99189 / PR2000113 / PR2001064 / PR2002097

8. ENGINE PCB



MODEL HL-1030/1240/1250/1270N 84U-Z04/Z01/Z02/Z03-151

9. LOW-VOLTAGE POWER SUPPLY PCB



MODEL HL-1030/1240/1250/1270N 84U-Z04/Z01/Z02/Z03-200/201

T/I NO. PR99188 / PR2000113

10. HIGH-VOLTAGE POWER SUPPLY PCB

PR2002011

REF.NO.	CODE	Q'TY	DESCRIPTION	REMARK
1	LJ4176001	1	HIGH-VOLTAGE PS ASSY A (SP)	
1	LJ8156001	1	HIGH-VOLTAGE PS ASSY B (SP)	
2	085411215	4	SCREW BIND B TITE M4X12	

CAUTION:

1) The new version of the high-voltage power supply PCB, **HIGH-VOLTAGE PS ASSY B (LJ8156001)** should be used for ALL HL-1030/1270N printers and the HL-1240/1250 printers whose serial No. is the following number or later;

HL-1240: **J9J211817** - (EXCEPT J9J212235 - J9J217459, J9J219423 - J9J219997)
 HL-1250: **J9J221758** -

2) The old version of the high-voltage power supply PCB, **HIGH-VOLTAGE PS ASSY A (LJ4176001)** should be used for HL-1240/1250 whose serial No. is before the number above and the numbers in the range of J9J212235 - J9J217459 & J9J219423 - J9J219997.

3) The old and new versions of the high-voltage power supply PCB are incompatible each other.

MODEL HL-1030/1240/1250/1270/1270N 84U-Z04/Z01/Z02/Z05/Z03-220

T/I NO. PR99153, PR99165

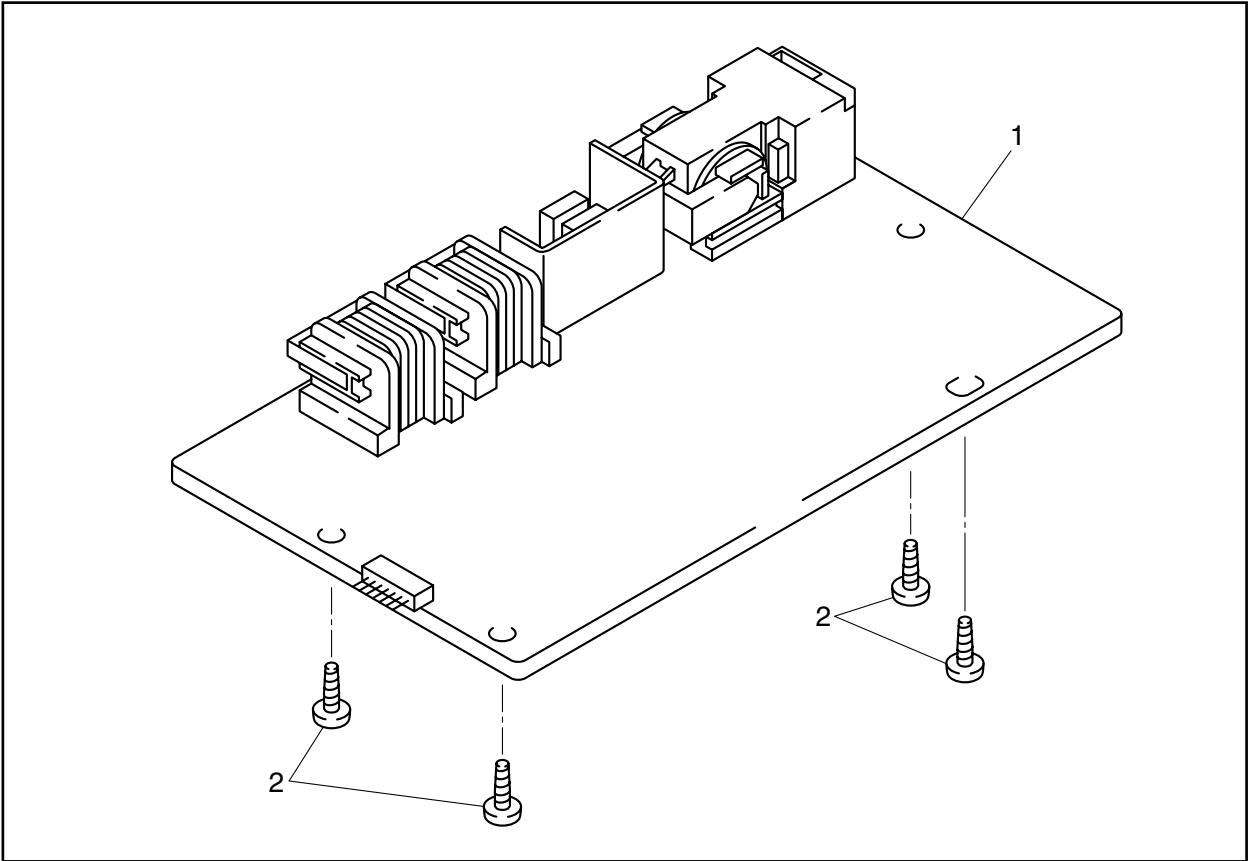
11. AC CORDS

REF.NO.	CODE	Q'TY	DESCRIPTION	REMARK
1A	LJ8875001	1	AC CORD, UL/CSA	CODE CHNG
1B	LJ8879001	1	AC CORD ASSY, SAA	CODE CHNG
1C	LJ8877001	1	AC CORD ASSY, SEV	CODE CHNG
1D	UK4099001	1	AC CORD, CHLI	
1E	UH1054001	1	AC CORD, BS	
1F	U34322001	1	AC CORD #6, ISRAEL	
1G	U34320001	1	AC CORD #4, BS	
1H	UK4094001	1	AC CORD, DEMKO	
1I	LJ8876001	1	AC CORD ASSY, VDE	CODE CHNG
1J	UK3610001	1	AC CORD ASSY, CHN96	
1K	LJ8288001	1	AC CORD ASSY, IND	

MODEL HL-1030/1240/1250/1270/1270N 84U-Z04/Z01/Z02/Z05/Z03-230

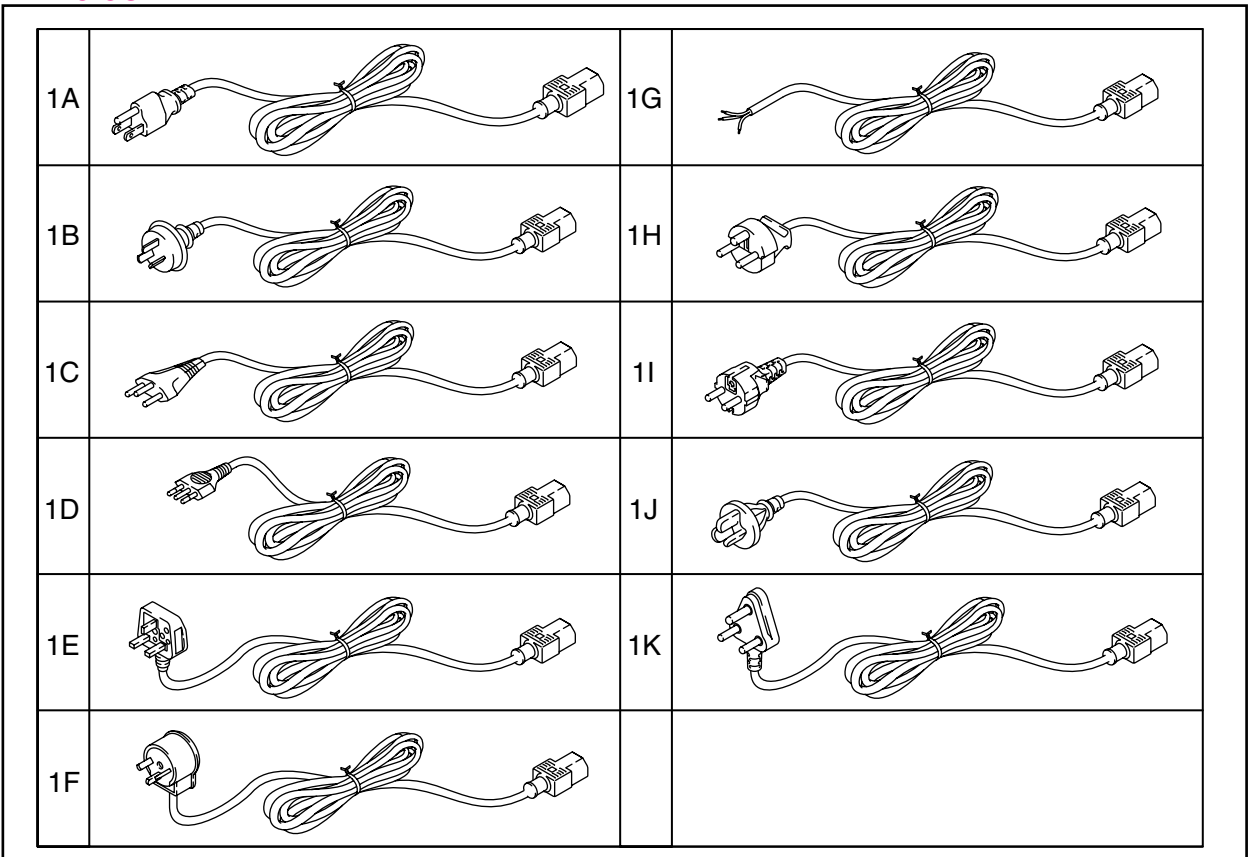
T/I NO. PR99179, PR2000055, PR2002011

10. HIGH VOLTAGE POWER SUPPLY PCB



MODEL HL-1030/1240/1250/1270N 84U-Z04/Z01/Z02/Z03-220

11. AC CORD



MODEL HL-1030/1240/1250/1270N 84U-Z04/Z01/Z02/Z03-23 0

T/I NO. PR99179 / PR2000055

12. ACCESSORIES

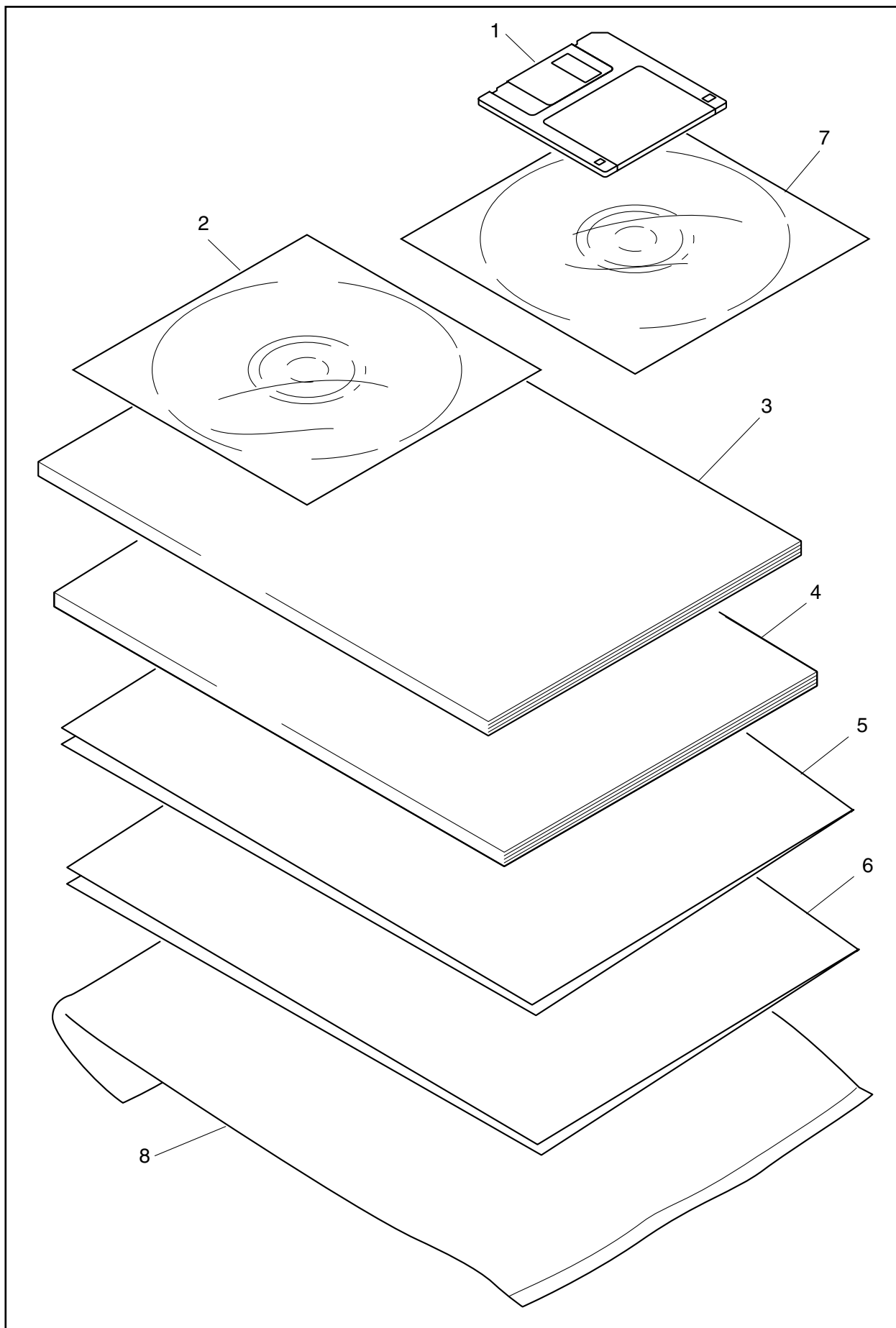
PR2000055

REF.NO.	CODE	QTY	DESCRIPTION	REMARK
1	LJ8161001	1	PR DRIVER DISK ASSY 1, HL-1030	
1	LJ8162001	1	PR DRIVER DISK ASSY 2, HL-1030	
1	UK4387001	1	PR DRIVER DISK ASSY 1, HL-1240	
1	UK4392001	1	PR DRIVER DISK ASSY 2, HL-1240	
1	UK4390001	1	PR DRIVER DISK ASSY 1, HL-1250	
1	UK4394001	1	PR DRIVER DISK ASSY 2, HL-1250	
1	LJ8035001	1	PR DRIVER DISK ASSY 1, HL-1270N	
1	LJ8036001	1	PR DRIVER DISK ASSY 2, HL-1270N	
1	LJ8090001	1	PR DRIVER DISK ASSY LEG 2312P	
1	LJ8244001	1	PR DRIVER DISK ASSY LEG 2412P	
1	LJ4728001	1	PR DRIVER DISK ASSY LEG 8212N	
1	LJ8285001	1	PR DRIVER DISK ASSY, WIP HL-1240	ADD
1	LJ8289001	1	PR DRIVER DISK ASSY, WIP HL-1250	ADD
1	LJ8291001	1	PR DRIVER DISK ASSY, WIP HL-1270N	ADD
2	LJ8141001	1	CD ASSY	
2	LJ8040001	1	CD ASSY, PB	
2	LJ4727001	1	CD ASSY, LEG	
2	LJ8261001	1	CD ASSY, KOR	
2	LJ8287001	1	CD ASSY, WIP	ADD
3	LJ4746001	1	SETUP GUIDE, US	
3	LJ4748001	1	SETUP GUIDE, FRA	
3	LJ4747001	1	SETUP GUIDE, GER	
3	LJ4750001	1	SETUP GUIDE, NL	
3	LJ4749001	1	SETUP GUIDE, NOR	
3	LJ4754001	1	SETUP GUIDE, SWE	
3	LJ4751001	1	SETUP GUIDE, DEN	
3	LJ4752001	1	SETUP GUIDE, SPA	
3	LJ4753001	1	SETUP GUIDE, ITA	
3	LJ4650001	1	SETUP GUIDE, PB	
4	LJ4585001	1	NETWORK SETUP GUIDE, US (HL-1270N)	
4	LJ4586001	1	NETWORK SETUP GUIDE, FRA (HL-1270N)	
4	LJ4587001	1	NETWORK SETUP GUIDE, GER (HL-1270N)	
4	LJ4588001	1	NETWORK SETUP GUIDE, NL (HL-1270N)	
4	LJ4590001	1	NETWORK SETUP GUIDE, SPA (HL-1270N)	
4	LJ4589001	1	NETWORK SETUP GUIDE, ITA (HL-1270N)	
5	LJ4802001	1	WIN2000 QUICK SETUP GUIDE, US	
5	LJ4803001	1	WIN2000 QUICK SETUP GUIDE, FRA	
5	LJ4804001	1	WIN2000 QUICK SETUP GUIDE, GER	
5	LJ4805001	1	WIN2000 QUICK SETUP GUIDE, NL	
5	LJ4806001	1	WIN2000 QUICK SETUP GUIDE, NOR	
5	LJ4807001	1	WIN2000 QUICK SETUP GUIDE, SWE	
5	LJ4808001	1	WIN2000 QUICK SETUP GUIDE, ITA	
5	LJ4809001	1	WIN2000 QUICK SETUP GUIDE, DEN	
5	LJ4810001	1	WIN2000 QUICK SETUP GUIDE, SPA	
6	LJ4842001	1	QUICK SETUP GUIDE, WIP	ADD
7	LJ4829001	1	USER'S MANUAL 8212N (LEG HL1270N)	
8	UE2014001	1	BAG, 215X350H	

MODEL HL-1030/1240/1250/1270/1270N 84U-Z04/Z01/Z02/Z05/Z03-920

T/I NO. PR99165, PR99179, PR99206, PR99211, PR99212, PR2000022, PR2000024, PR2000055

12. ACCESSORIES



MODEL HL-1030/1240/1250/1270/1270N 84U-Z04/Z01/Z02/Z05/Z03-920

T/I NO. PR99165 / PR2000022 / PR2000024 / PR2000055

13. PACKING MATERIALS

REF.NO.	CODE	Q'TY	DESCRIPTION	REMARK
1	LL0125001	1	CARTON, HL-1030 EU	
1	LL0124001	1	CARTON, HL-1030 CAN	
1	UE0818001	1	CARTON, HL-1240 US	
1	UE0822001	1	CARTON, HL-1240 CAN	
1	UE0820001	1	CARTON, HL-1240 EU	
1	LL0014001	1	CARTON, HL-1250 US	
1	LL0015001	1	CARTON, HL-1250 CAN	
1	LL0016001	1	CARTON, HL-1250 EU	
1	LL0194001	1	CARTON, HL-1270 A4	
1	LJ4186001	1	CARTON, HL-1270N US	
1	LJ4538001	1	CARTON, HL-1270N CAN	
1	LJ4188001	1	CARTON, HL-1270N EU	
1	LL0046001	1	CARTON, OEM	
1	LL0045001	1	CARTON, LEG 2312P	
1	LL0047001	1	CARTON, LEG 2412P	
1	LL0151001	1	CARTON, LEG 8212N	
2	UE2280001	1	STYROFORM PAD ASSY, LGL	
2	LJ4038001	1	STYROFORM PAD ASSY, A4	
3	UE2283001	1	ACCESSORY CARTON	
4	UE2126001	1	BAG, 700X800H	
5	LJ5497001	1	WIN ME CARTON LABEL	

MODEL HL-1030/1240/1250/1270/1270N 84U-Z04/Z01/Z02/Z05/Z03-930

T/I NO. PR99165, PR99179, PR99206, PR99211, PR2000005, PR2000153

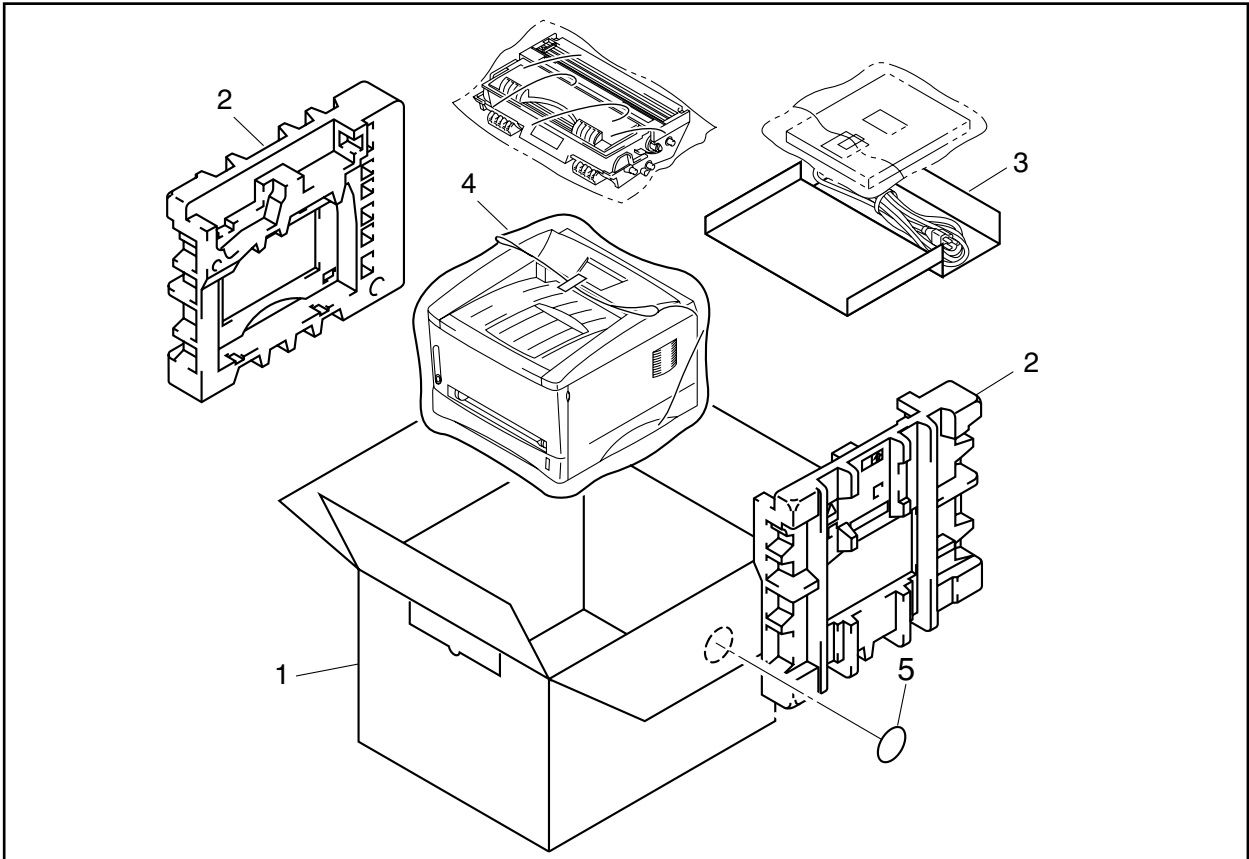
14. NETWORK BOARD

REF.NO.	CODE	Q'TY	DESCRIPTION	SYMBOL	REMARK
1	LJ8083001	1	BRNET PCB UNIT (SP)	B512058-100A	
1-1	087320616	2	TAPTITE, CUP S M3X6		

MODEL HL-1270N 84U-Z03-150

T/I NO. PR99165

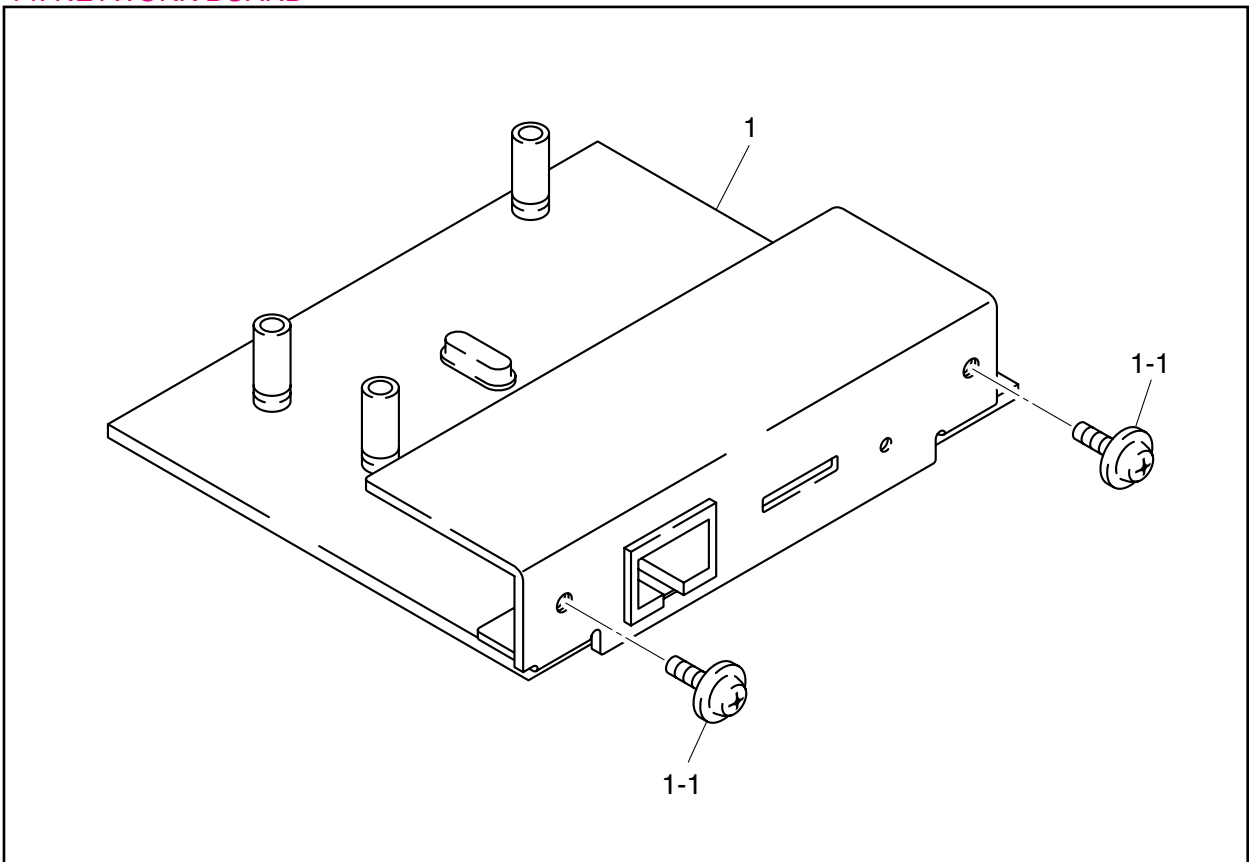
13. PACKING MATERIALS



MODEL HL-1030/1240/1250/1270N 84U-Z04/Z01/Z02/Z03-930

T/I NO.PR2000153

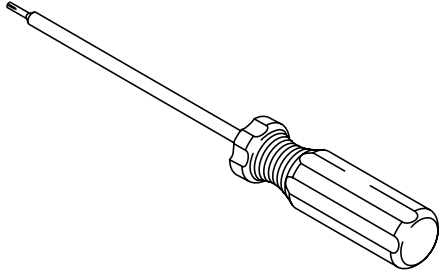
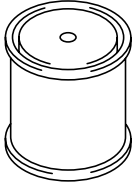
14. NETWORK BOARD



MODEL HL-1270N 84U-Z03-150

T/I NO. PR99165

15. ADJUSTING TOOL

<div style="display: flex; justify-content: space-around; align-items: center;"> <div style="text-align: center;"> <p>PRT-402</p>  </div> <div style="text-align: center;"> <p>PRT-001f</p>  </div> </div>		
TOOL NO.	TOOL NAME	REMARK
PRT-402	TORX SCREW DRIVER	
PRT-001f	MOLYKOTE PG-662	ADD

MODEL HL-1030/1240/1250/1270N 84U-Z04/Z01/Z02/Z03

T/I NO. PR99165