

Service Information

1997-04-01

HR7715
HR7717

DAP144

Domestic Appliances and Personal Care

MSH-coding 8837 715 00000
8837 717 00000

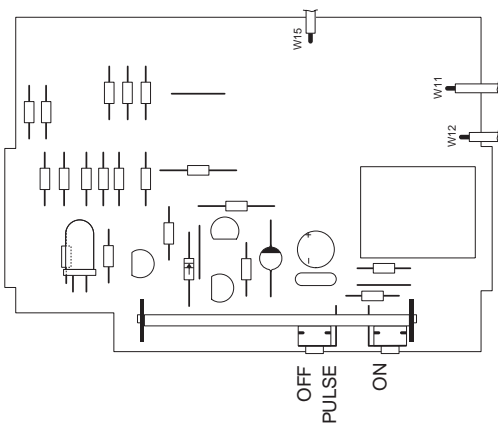
Use Service Manual 4822 729 21717

Electronic circuit / Switch bracket / Housing Items 9 / 8 / 4

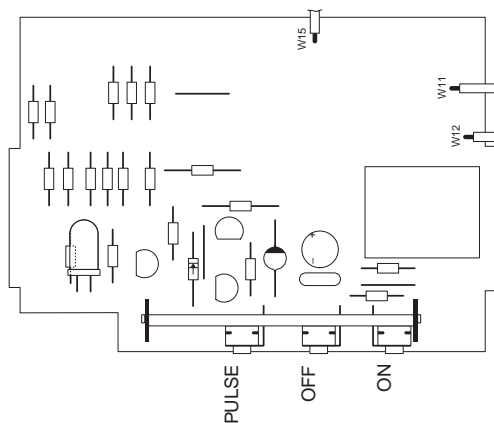
Alterations: From serial number 7014 on, the Off and Pulse functions were separated and thus the following alterations took place:

- Item 9** **Electronic circuit:** a third micro-switch was added on the board. 4822 214 12271
- Item 8** **Switch bracket:** it was added another driving flap for the third micro-switch. 4822 464 10292
- Item 4** **Housing:** the panel was modified with the creation of the Pulse switch. 4822 441 11984

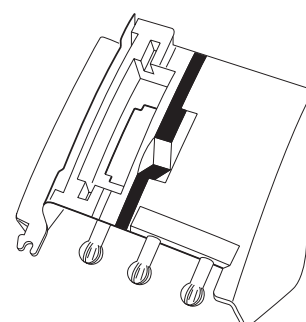
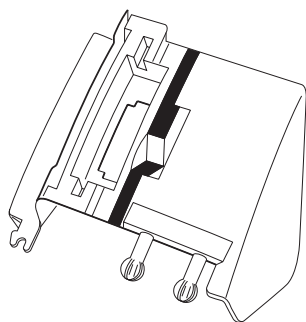
Former situation



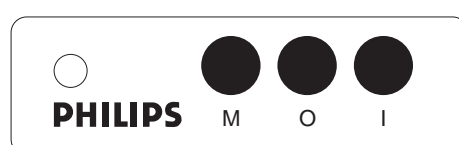
Current situation



Item 9



Item 8



Item 4

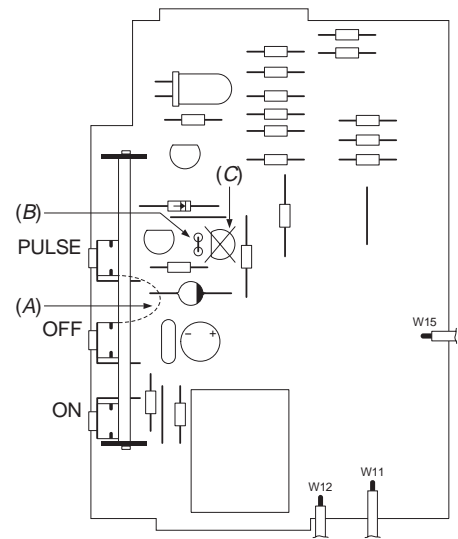
Interchangeability: Only the modified parts (current situation) will be available as spare parts and in order to use them in old sets the following changes must be made:

Electronic circuit: On the copper side (opposite side to the one shown in the figure):
(item 9)

- Using a flexible wire, make a jumper between the inner contacts of the Off and Pulse micro-switchs (detail A).
- Using solder, make a jumper between the points indicated in detail B.

On the component side (as shown in the figure):

- Remove the transistor (detail C), cutting its 3 terminals off.



Switch bracket: Total interchangeable.
(item 8)

Housing Not interchangeable. It can only be used in old sets (serial numbers up to 6523) if the electronic circuit and the switch bracket are also replaced.
(item 4)