

Service
Service
Service



Philips Domestic Appliances and Personal Care

Service Manual

PRODUCT INFORMATION

Features

- Linished soleplate
- Self clean function
- Steam output (15 grams/min)
- Water tank capacity 170 ml
- Cord length 1.9 m.

Safety Information

- This product meets the requirements regarding interference suppression on radio and TV.
- After the product has been repaired, it should function properly and has to meet the safety requirements as officially laid down at this moment.

TECHNICAL INFORMATION

Voltage	: 100 - 127 V, 220 - 240 V
Frequency	: 50 - 60 Hz
Power consumption	: 1200 W
Dimension (F-box)	: 272 x 112 x 140 mm
Weight (Iron)	: 1100 grams

Self Clean

When the self clean button is pushed, a sudden flow of water is released from the tank into the soleplate. This thermal shock will cause water scale particles to come loose from the steam chamber. These particles are then flushed out through the steam vents by the water.

CORD SET 5

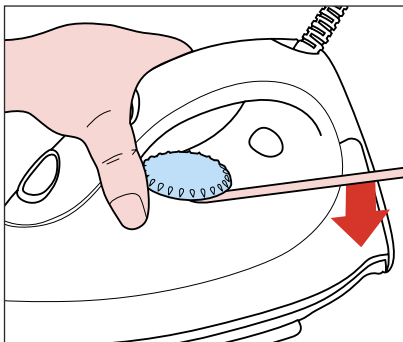
PILOT LIGHT COVER 9

PILOT LIGHT 10

- remove DOSING UNIT 1
- remove screw A (2x)
- remove screw B (1x)
- remove INLAY 4
- remove screw C (2x) (cord clamp)

TANK SET 11

- remove DIAL 7



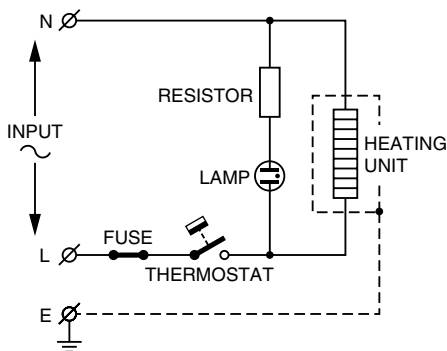
- remove screw D (2x)

COVER 12

SOLEPLATE 2

ISOLATION STUD 13

- remove screw E (3x)



Pos	Service code	Description	Consist of
1	4239 021 01300	Dosing unit	
2	4239 020 94210	Soleplate unit 100 - 127 V	
	4239 020 93470	Soleplate unit 220 - 240 V	
3	4239 015 52140	Cover seal	
4	4239 026 12670	Inlay	
	4239 015 35520	Inlay (France)	
5	4239 000 09040	Cordset EU	
	4239 000 08790	Cordset Argentina	
	4239 000 08810	Cordset Italy	
	4239 000 08890	Cordset Mexico	
6	4822 325 10226	Swivel	
7	4239 021 15480	Dial (English/Spanish/Portuguese text)	
	4239 021 09980	Dial (French/Dutch text)	
8	4239 014 53790	Rattle spring	
9	4239 026 00880	Pilot light cover	
10	4822 134 10133	Pilot light	
11	4239 021 15470	Tank set	101
	4239 021 14740	Tank set (France)	
12	4239 026 12570	Cover	
13	4822 532 12722	Isolation stud	
14	4239 026 12580	Thermostat bush	

REPAIR INSTRUCTIONS

- In case of any defect in the thermostat, the complete soleplate has to be replaced.
- No information about the type number and voltage has been stamped into the type plate spare part. When replacing the typeplate, engrave at least type number and voltage into the type plate with a tool.
- The Comfort irons have been upgraded from "1-steam setting" to "2-steam setting". Tank set (Pos 11), inlay (Pos 4) & dosing unit (Pos 1) are modified. The differences can be distinguished from the printing of dosing unit. In case a "1-steam setting" iron needs to replace either tank set, inlay or dosing unit, the 3 items have to be replaced together under the service codes in parts list.

