



PRINTER OPTIONS

PB-UNITS

PARTS CATALOGUE

PB-UNITS Parts Catalogue

Table of Contents

Printer Base (Fig.1).....3

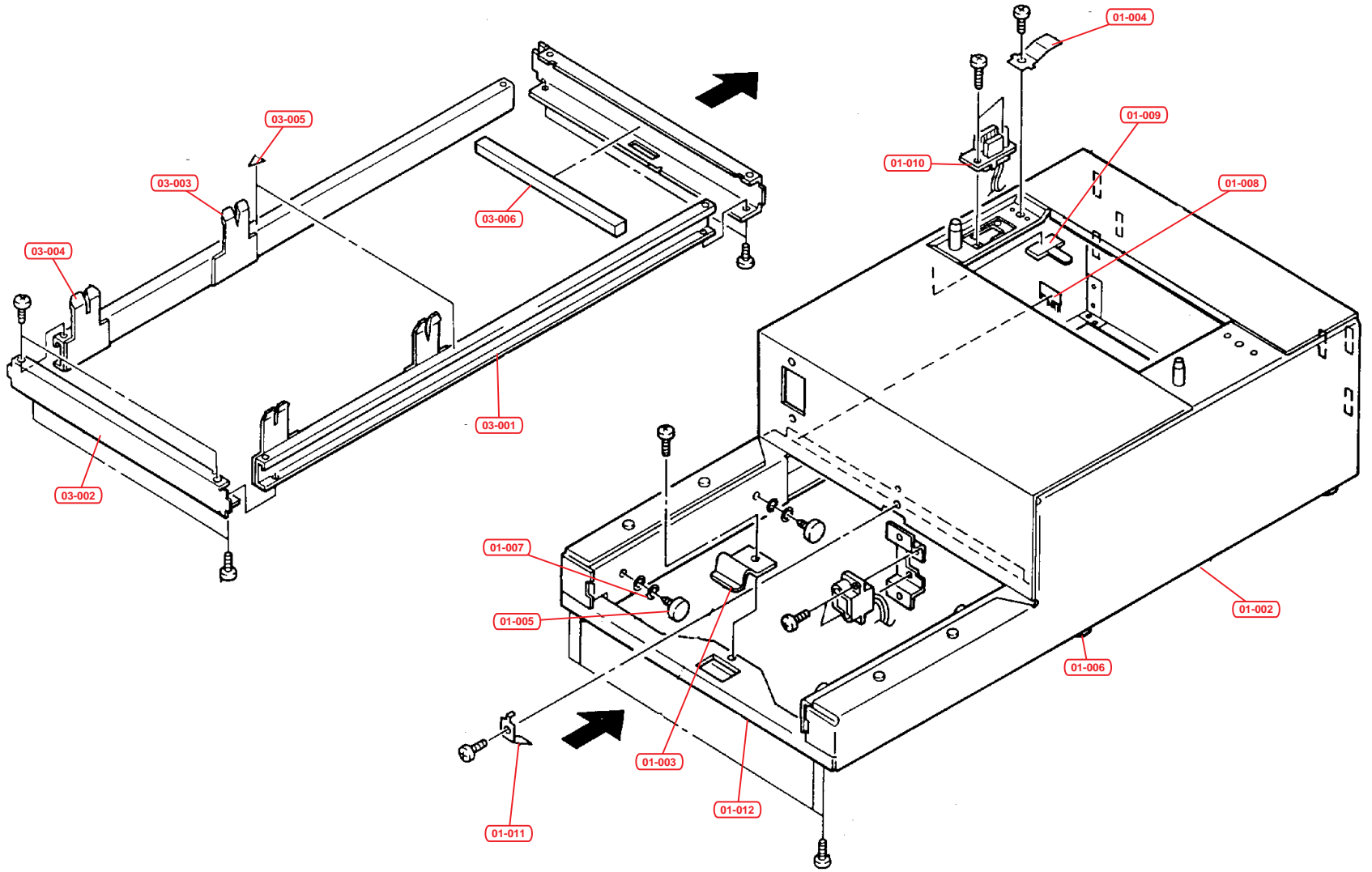
Introduction

The figures which follow depict the major assemblies of the printer or option, broken down into components. Following each figure are the list giving the following information:

- 'Ref No.'Reference number which corresponds to the parts in the figure
- 'Part code'.....Part code which identifies the part
- 'Part description'A brief description of the part
- 'Quantity'.....Quantity of the part used in the printer or option

Only the parts highlighted in BOLD should be ordered. All other parts are for reference only and are not stocked.

Fig.1 - Printer Base



Ref No.	Part Code	Description	Quantity
01-000	PB-1	Printer Base (FS-1500/1550/16/34/36)	1
01-000	PB-2	Printer Base (FS-3500)	1
01-000	PB-20	Printer Base (FS-1700/3700)	1
01-002	5AAMPF7B**01	BASE ASSY B	1
01-003	5MMP153LD001	STOPPER PF	1
01-004	5MMX432LD001	SPRING SHAFT ED	1
01-005	5AAZPF7A**01	ROLLER DL	4
01-006	5MVS778RB002	FOOT PR	6
01-006	5MVS779RB002	FOOT PR (PB-20)	6
01-007	5MBWK65D0ASZ	FLAT S WASHER	8
01-008	5MVS224XF001	DISCHARGER PB	1
01-009	5MMX321SM001	CORD KEEP	1
01-010	5AACCNB2GEA	CONN. CORD ASSY	1
01-011	5MML322LD001	PLATE EMC	1
01-012	5MMU852SL016	STAY MAIN	1
03-001	5MMU832SL002	RAIL	2
03-002	5MMU833SL001	STAY RAIL	2
03-003	5MMS657SL012	GUIDE PF F	2
03-003	5MMS657SL014	GUIDE PF F (PB-20)	2
03-004	5MMS657SL013	GUIDE PF R	2
03-004	5MMS657SL015	GUIDE PF R (PB-20)	2
03-005	5MVVL111WN02	LAYER LABEL	2
03-006	5MVQ843RB001	PAD RAIL	1
03-009	5MMX321SM001	CORD KEEP	1