

***Diagramas  
Esquemáticos***

**GoldStar**

***Monitores Coloridos***

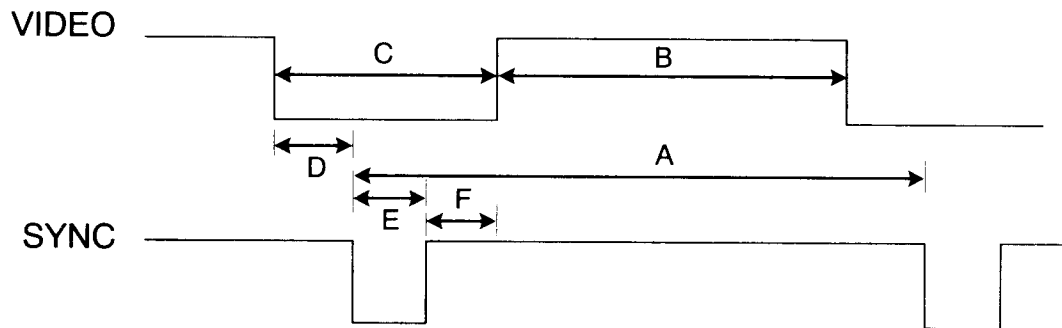
***Chassis: CA-26***

***Modelos: CS556, CS555***

***1515, 1520***

***1520 DM***

# TIMING CHART

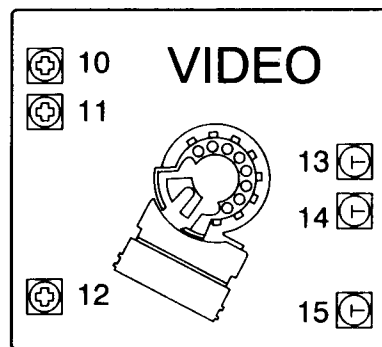
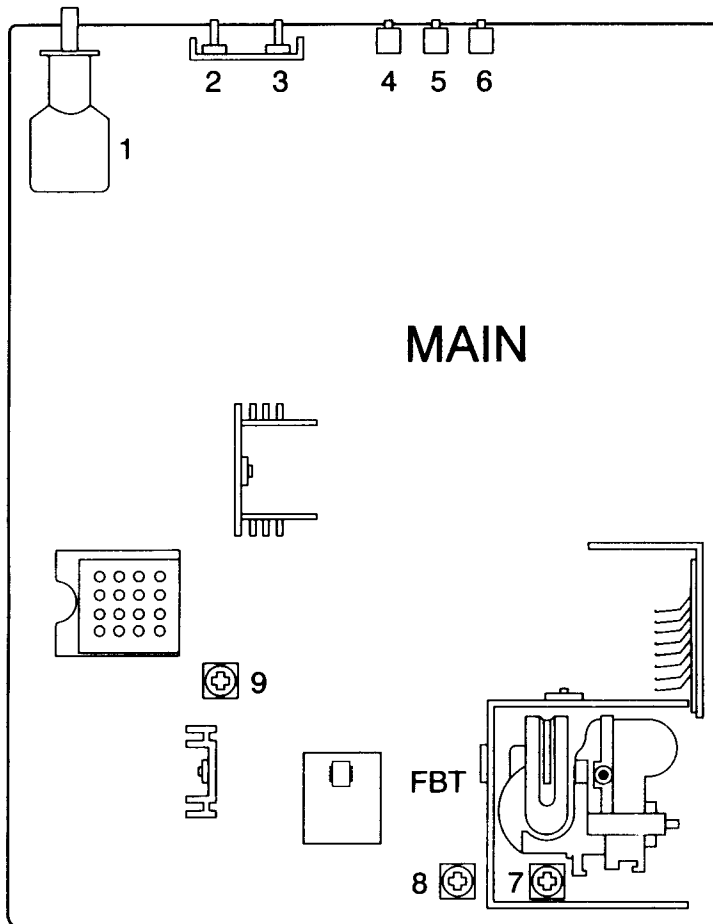


MODE		MODE 1	MODE 2	MODE 3	MODE 4	MODE 5
FREQ.		VGA 2	640x480(72Hz)	1024X768(70Hz)	VGA 3	800x600(72Hz)
H O R I Z O N T A L	POLARITY	NEGA	NEGA	NEGA	NEGA	POSI
	FREQUENCY	31.47 kHz	37.86 kHz	56.48 kHz	31.47 kHz	48.08 kHz
	A	31.78 $\mu$ S	26.41 $\mu$ S	17.71 $\mu$ S	31.78 $\mu$ S	20.80 $\mu$ S
	B	25.42 $\mu$ S	20.32 $\mu$ S	13.65 $\mu$ S	25.42 $\mu$ S	16.00 $\mu$ S
	C	6.36 $\mu$ S	6.09 $\mu$ S	4.06 $\mu$ S	6.36 $\mu$ S	4.80 $\mu$ S
	D	0.64 $\mu$ S	0.76 $\mu$ S	0.32 $\mu$ S	0.64 $\mu$ S	1.12 $\mu$ S
	E	3.81 $\mu$ S	1.27 $\mu$ S	1.81 $\mu$ S	3.81 $\mu$ S	2.40 $\mu$ S
V E R T I C A L	F	1.91 $\mu$ S	4.06 $\mu$ S	1.93 $\mu$ S	1.91 $\mu$ S	1.28 $\mu$ S
	POLARITY	POSI	NEGA	NEGA	NEGA	POSI
	FREQUENCY	70.08 Hz	72.81 Hz	70.07 Hz	59.94 Hz	72.08 Hz
	A	14.27 mS	13.74 mS	14.27 mS	16.683 mS	13.87 mS
	B	12.71 mS	12.68 mS	13.60 mS	15.253 mS	12.48 mS
	C	1.56 mS	1.06 mS	0.67 mS	1.431 mS	1.39 mS
	D	0.413 mS	0.238 mS	0.053 mS	0.350 mS	0.770 mS
E	0.064 mS	0.079 mS	0.106 mS	0.064 mS	0.125 mS	
F	1.08 mS	0.743 mS	0.511 mS	1.017 mS	0.495 mS	

A: SYNC. TIME  
 B: VIDEO ACTIVE TIME  
 C: BLANKING TIME

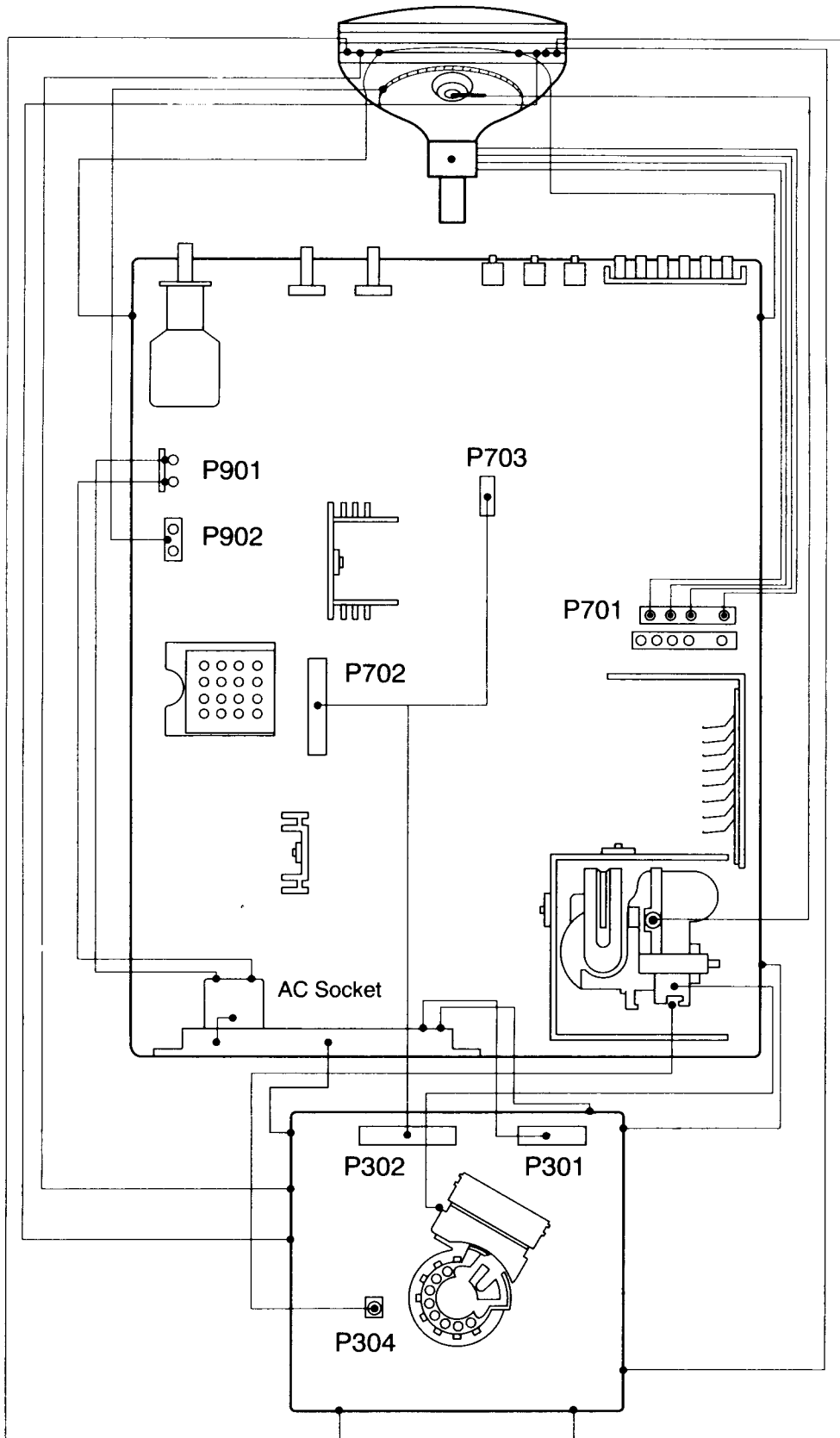
D: FRONT PORCH  
 E: SYNC PULSE DURATION  
 F: BACK PORCH

# AJUSTE DE ALINHAMENTO

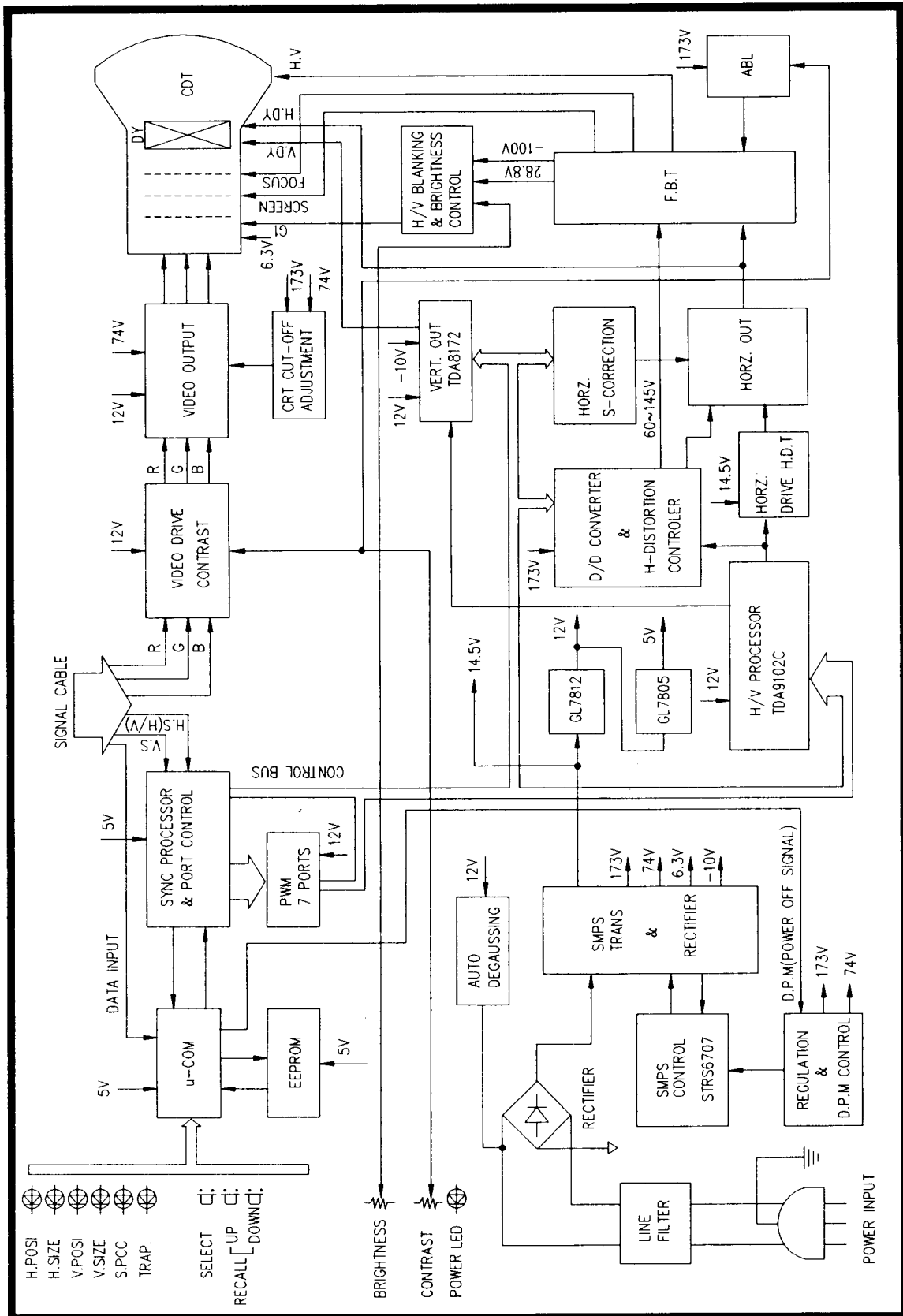


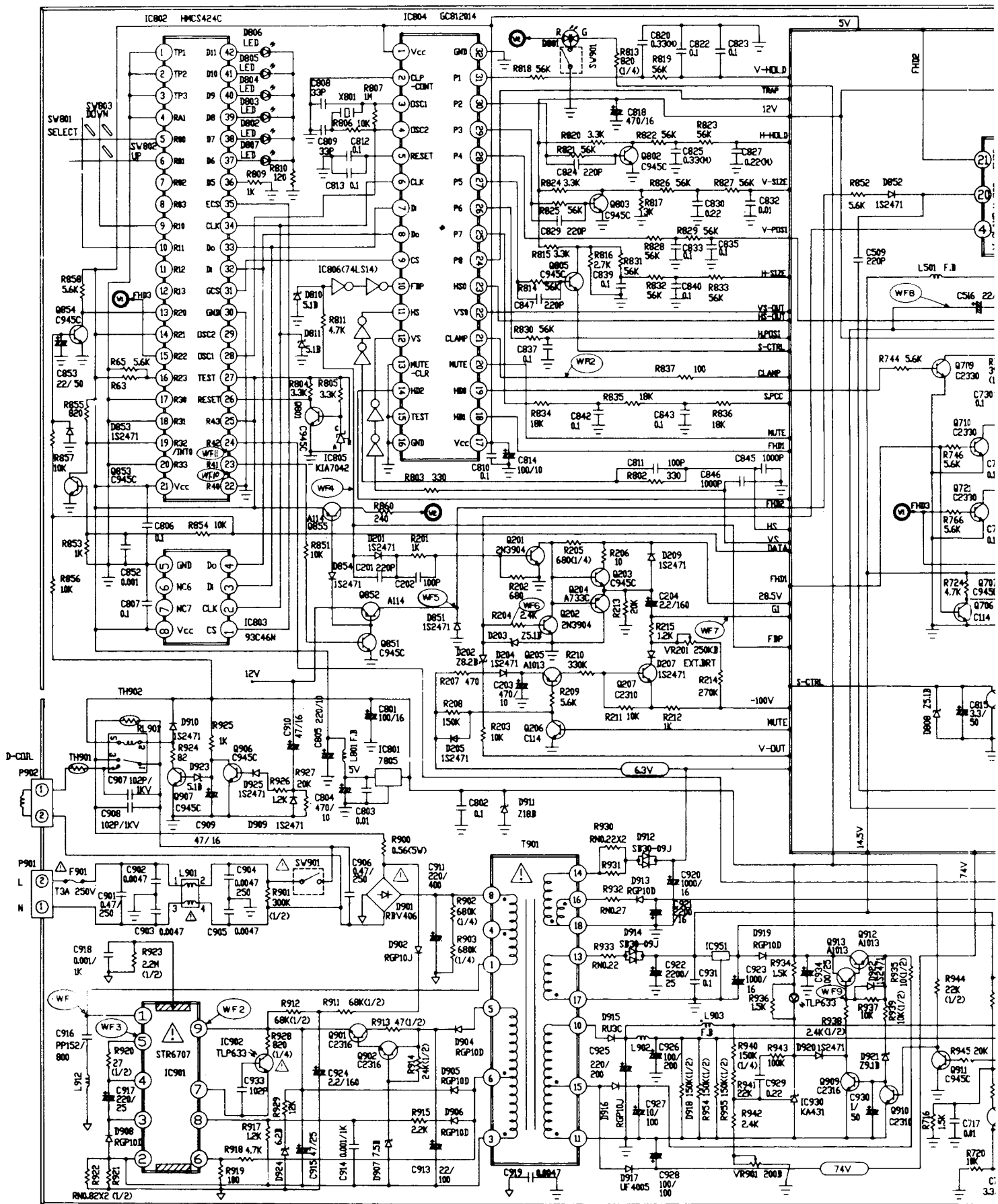
No.	Ref. No.	Control Function	No.	Ref. No.	Control Function
1	SW901	POWER SWITCH	9	VR901	+B ADJUST
2	VR702	CONTRAST	10	VR302	G-DRIVE
3	VR201	BRIGHT	11	VR301	R-DRIVE
4	SW802	UP	12	VR305	SUB-CONTRAST
5	SW803	DOWN	13	VR303	R-BIAS
6	SW801	SELECT	14	VR304	G-BIAS
7	VR501	HIGH VOLTAGE ADJUSTMENT	15	VR306	SUB-BRIGHT
8	VR701	H-RASTER CENTER			

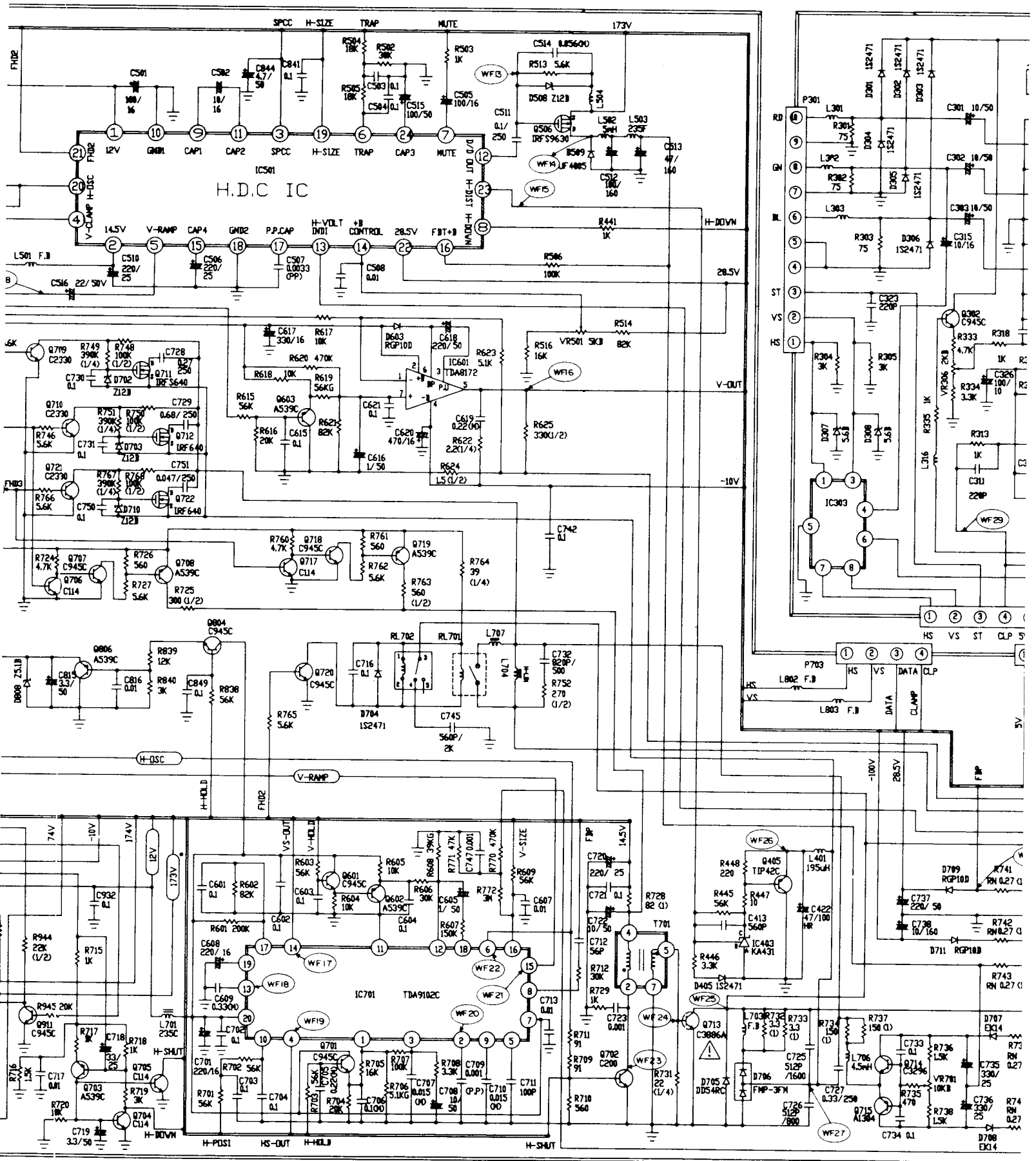
# DIAGRAMA DE FIAÇÃO



# DIAGRAMA DE BLOCOS







# DIAGRAMA ESQUEMÁTICO

