

Service
Service
Service



Philips Domestic Appliances and Personal Care

Service Manual

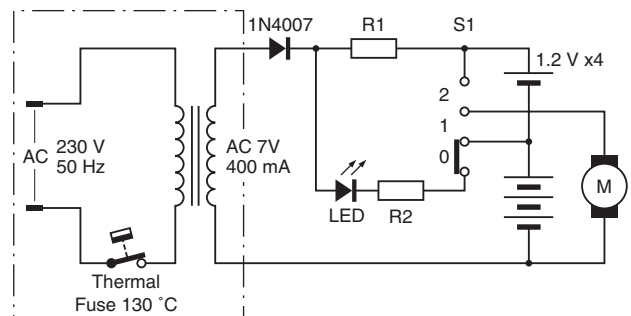
PRODUCT INFORMATION

Adapter AC / AC	: 230 V / 7 V AC - 400 mA
Rechargeable batteries	: 4 x 1.2V
Charge indicator	: LED
Dry dust cap capacity	: 0.45 Liters
Wet dust cap capacity	: 0.1 Liters
Switch positions	: 0 - 1 - 2
Weight	: 0.9 kg
Dimensions	: 43 x 14 x 14 cm
Cord length	: 1.8 m
Air flow	: 0.57 m ³ / minute

SERVICE INFORMATION

- Washable permanent filter is available under type number FC 8036 (8838 036 01010).
- The rechargeable batteries contained substances, which may pollute the environment. Dispose unused cells at especially assigned places.
- If a repair has been executed, ensure that all the functions of the appliance are working correctly.
- Operating time is defined as the time it takes to discharge 50 % of the nominal capacity of the batteries.

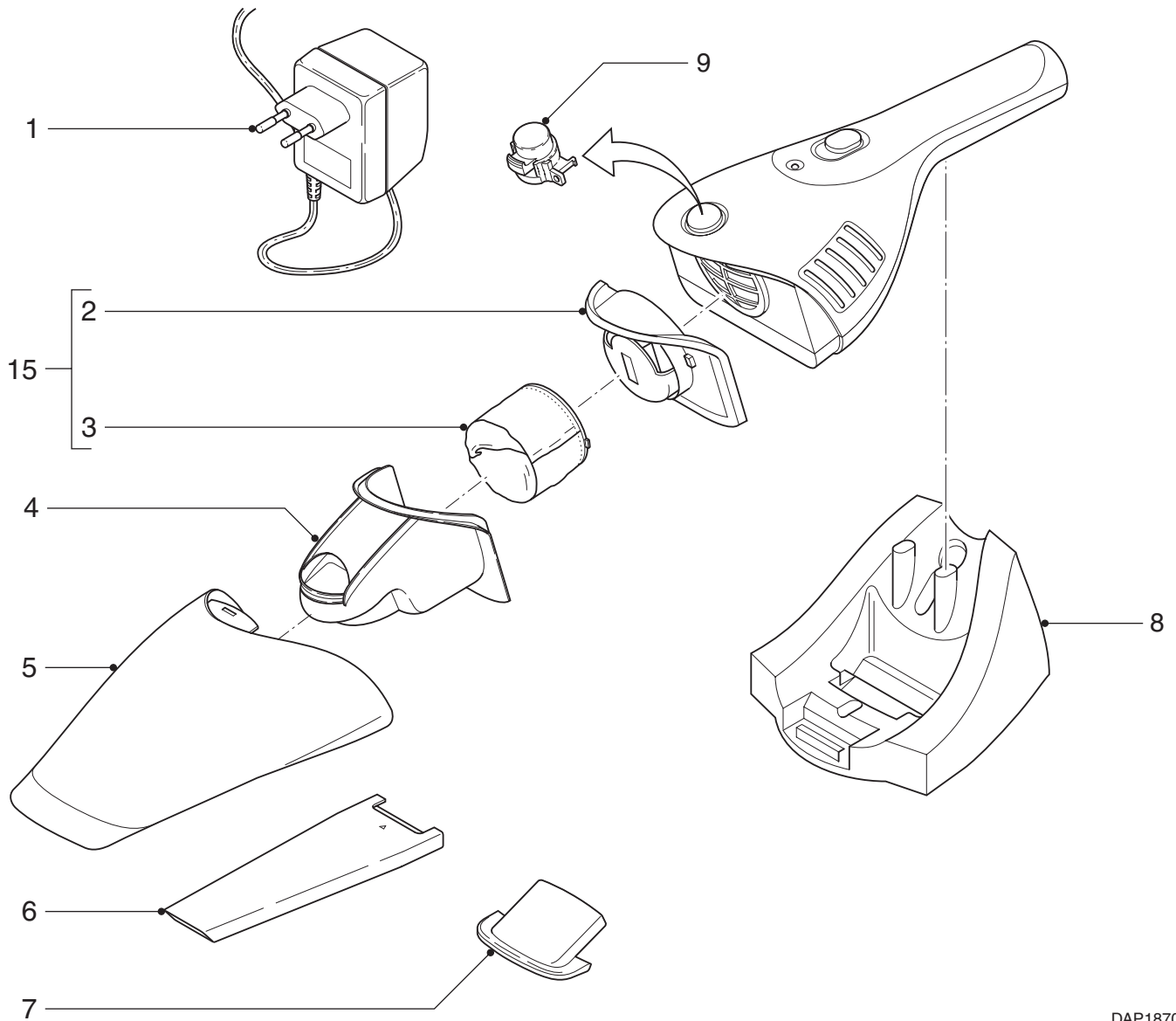
	Battery type	Colour setting	Operation time (fully charged)
FC 6076/01	NiCd 4 x 1600 mA	Petrol green	> 10 minutes
FC 6076/02	NiMH 4 x 2200 mA	Petrol green	> 15 minutes



This product meets the requirements regarding interference suppression on radio and TV.

After the product has been repaired, it should function properly and has to meet the safety requirements as officially laid down at this moment.

FC 6076



DAP1870

Item	Description	Service code
1	Adapter - EU	9965 000 06425
	Adapter - UK	9965 000 06426
	Adapter - Taiwan	9965 000 06427
	Adapter - Korea	9965 000 06428
	Adapter - China	9965 000 07838
2	Filter holder	9965 000 10802
3	Filter dry/wet	9965 000 10795
4	Deflector	9965 000 10801
5	Dust container	9965 000 10800
6	Crevice tool	9965 000 10804
7	Squeegee	9965 000 10805
8	Wall holder	9965 000 10803
9	Jack release button assy	9965 000 12781
15	Filter assy	9965 000 13458
	Dry/wet filter set (2 pcs)	8838 036 01010