



PRINTER OPTIONS

DU-20

PARTS CATALOGUE

DU-20 Parts Catalogue

Table of Contents

Overall (Fig.1).....	3
Base Assembly (Fig.2).....	5
Stacker Assembly (Fig.3).....	9
Top Cover Assembly (Fig.4).....	13

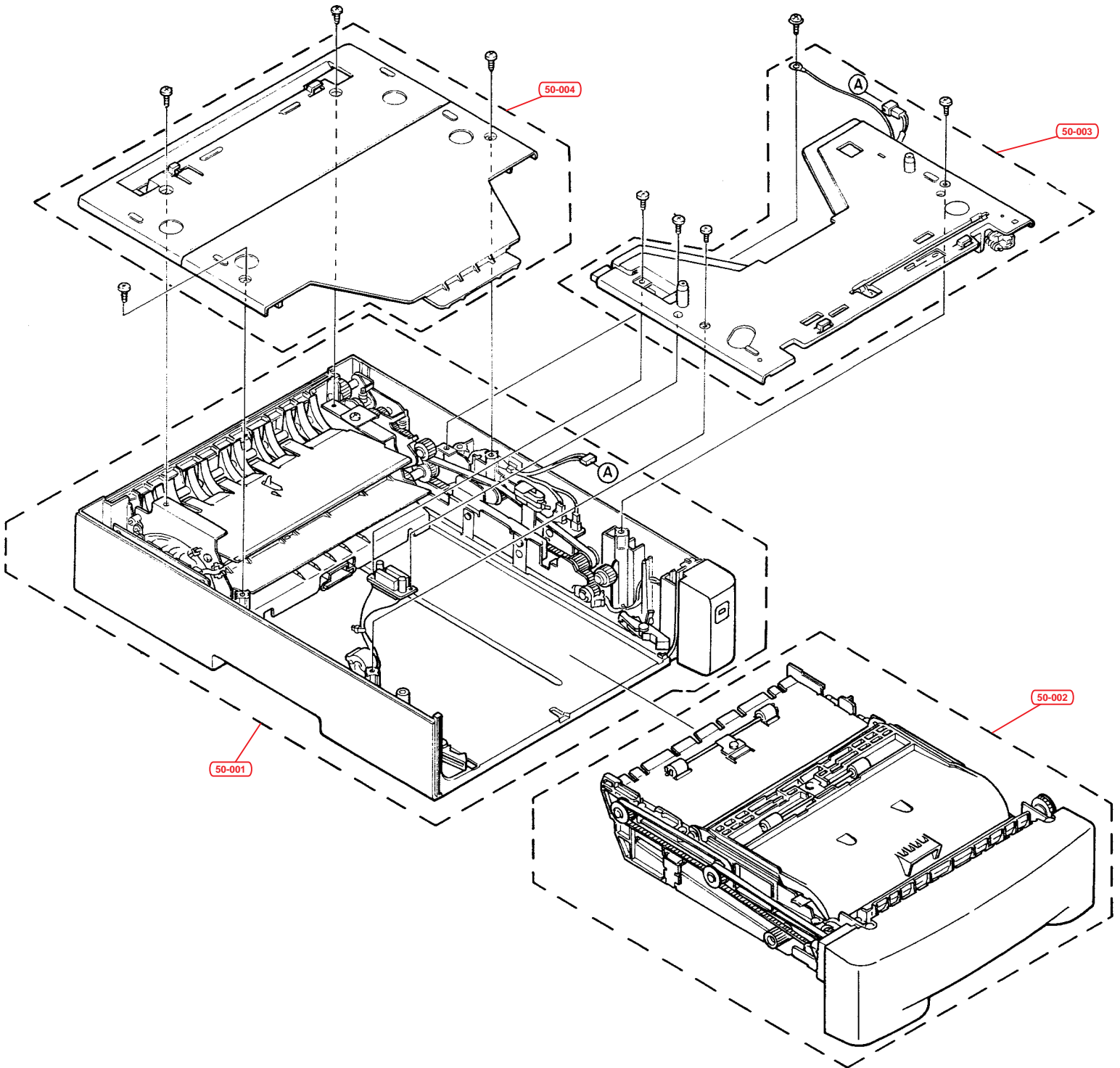
Introduction

The figures which follow depict the major assemblies of the printer or option, broken down into components. Following each figure are the list giving the following information:

- 'Ref No.' Reference number which corresponds to the parts in the figure
- 'Part code'..... Part code which identifies the part
- 'Part description' A brief description of the part
- 'Quantity'..... Quantity of the part used in the printer or option

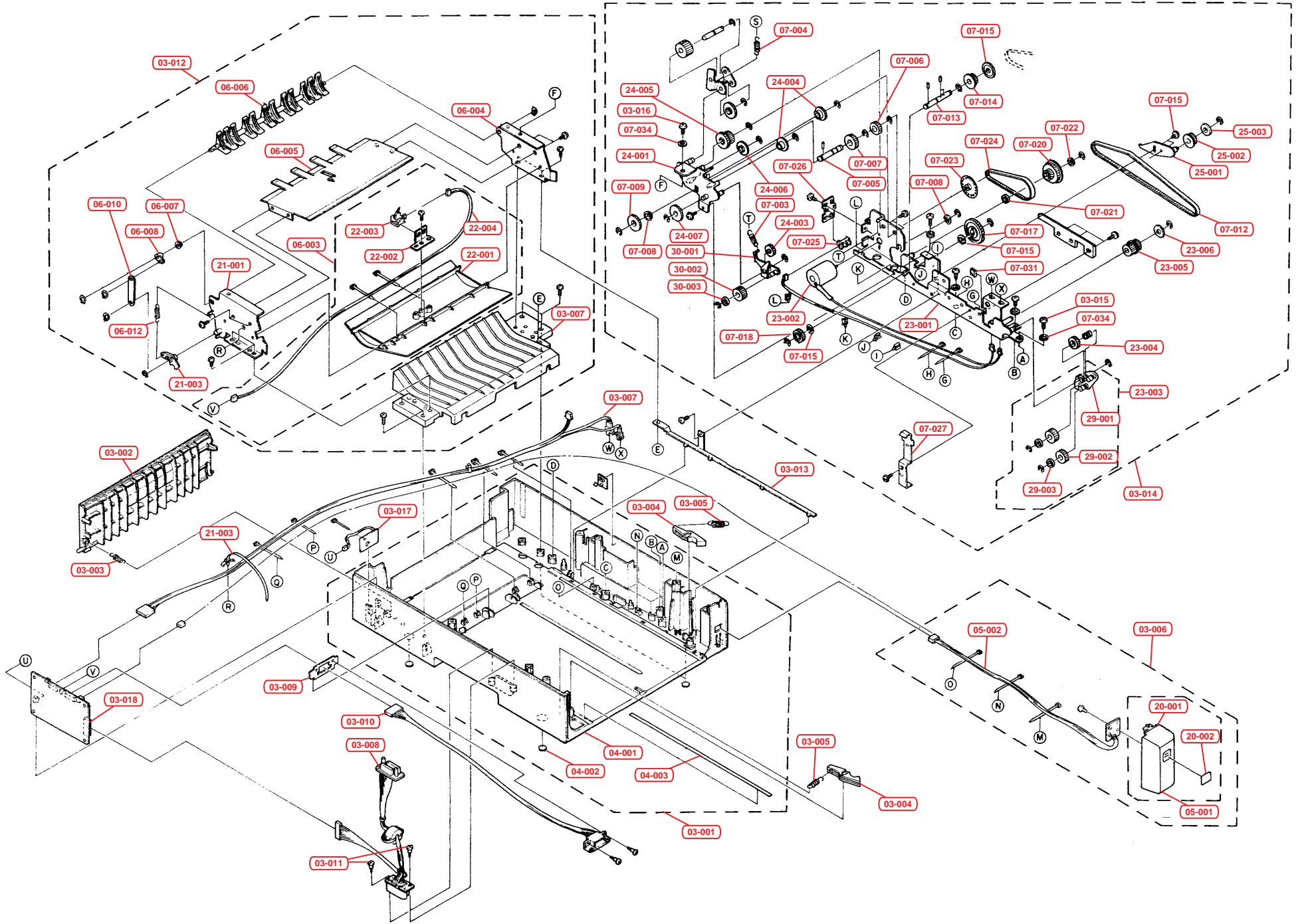
Only the parts highlighted in BOLD should be ordered. All other parts are for reference only and are not stocked.

Fig.1 - Overall



Ref No.	Part Code	Description	Quantity
50-000	DU-20	DUPLEX ASSEMBLY	1
50-001	5SNSP0009961	BASE ASSEMBLY	1
50-002	5SNSP0009962	STACKER ASSEMBLY	1
50-003	5SNSP0009963	TOP COVER ASSEMBLY	1
50-004	5SNSP0008888	COVER TOP R	1
50-005	5MVVSDU20**1	SER. NO. PLATE	1

Fig.2 - Base Assembly

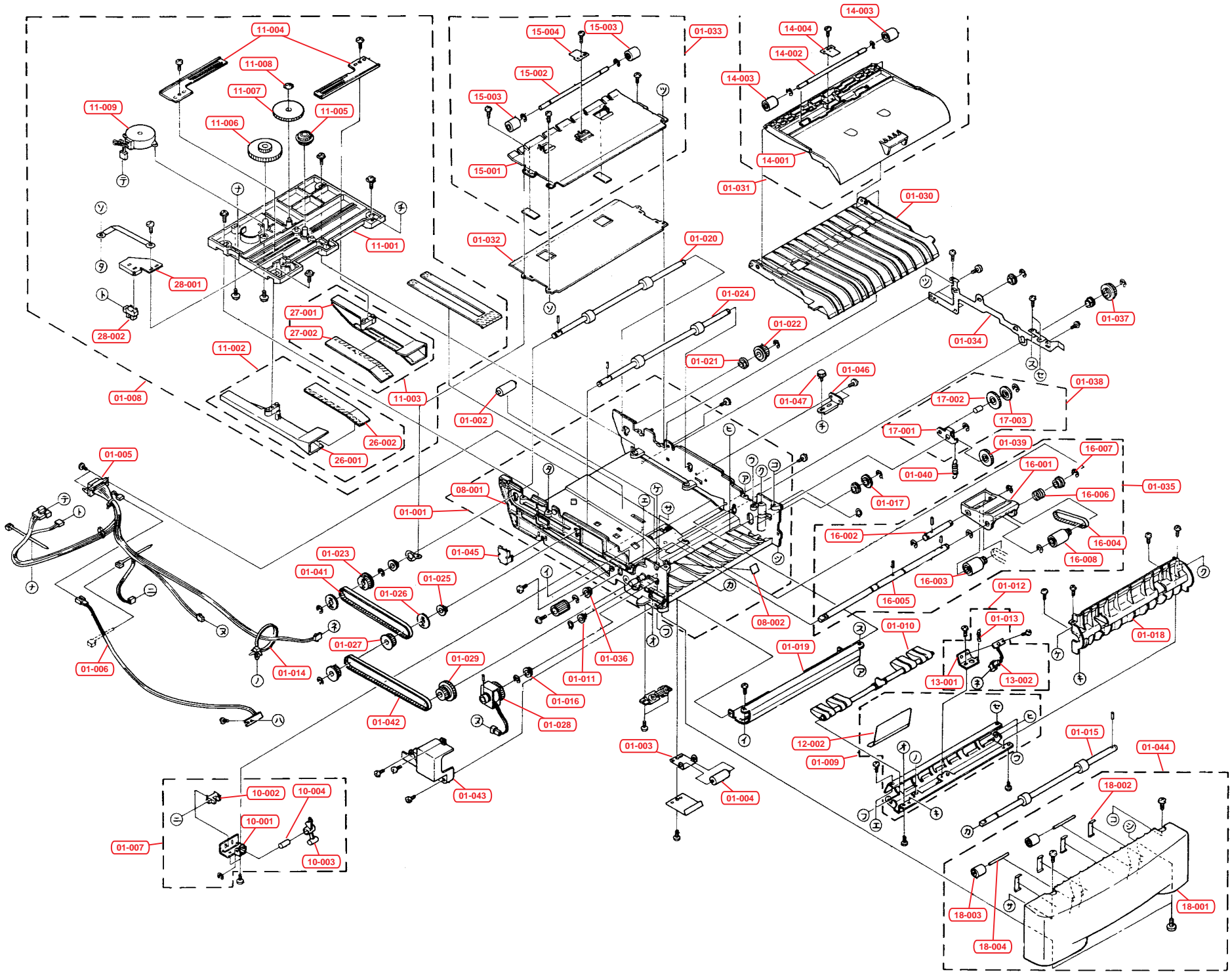


Ref No.	Part Code	Description	Quantity
03-001	5SNSP0008869	BASE SUB ASSY	1
03-002	5SNSP0008889	COVER REAR	1
03-003	5SNSP0008987	SPRING R COVER	1
03-004	5SNSP0008904	LEVER LOCK	1
03-005	5SNSP0008988	SPRING LOCK DS	2
03-006	5SNSP0009965	LED ASSY	2
03-007	5SNSP0008885	CONN. CORD S00751	1
03-008	5SNSP0008880	CONN. CORD S00716	1
03-009	5SNSP0008949	BRACKET DB CONNECT	1
03-010	5SNSP0008883	CONN. CORD S00719	1
03-011	5SNSP0008997	STAD CONNECTOR	1
03-012	5SNSP0008856	PASSAGE ASSY	2
03-013	5SNSP0008951	PLATE EARTH	1
03-014	5SNSP0008857	DRIVE ASSY	1
03-015	5SNSP0009003	TAPPING SCREW	1
03-016	5SNSP0009004	STAD FRAME	4
03-017	5SNSP0008876	PWB REAR SW	1
03-018	5SNSP0009971	PWB MAIN	1
03-019	5SNSP0009249	SCREW CONNECTOR	2
03-020	5SNSP0009420	IC. UPD75 P008CU	1
03-021	5MVX321NN020	CLAMP	1
04-001	5SNSP0008886	BASE	1
04-002	5SNSP0008688	FOOT	1
04-003	5SNSP0008993	SHEET RAIL	1
05-001	5SNSP0009966	LED COVER ASSY	1
05-002	5SNSP0009967	PWB LED	1
06-001	5SNSP0008891	BASE PASSAGE	1
06-002	5SNSP0008860	FRAME L ASSY	1
06-003	5SNSP0008859	PASSAGE GUIDE ASSY	1
06-004	5SNSP0008957	FRAME R	1
06-005	5SNSP0008946	GUIDE PASSAGE A	1
06-006	5SNSP0008929	GATE DB	1
06-007	5SNSP0009009	BUSHING 4	1
06-008	5SNSP0008931	LEVER GATE B	1
06-010	5SNSP0009858	LINK GATE	1
06-012	5SNSP0008990	SPRING GATE A	1
07-001	5SNSP0008861	DRIVE SUB ASSY A	1
07-002	5SNSP0008862	DRIVE SUB ASSY B	1
07-003	5SNSP0009248	SPRING JOINT R	1
07-004	5SNSP0008992	SPRING JOINT C	1
07-005	5SNSP0008963	SHAFT CLT	1
07-006	5SNSP0008896	GEAR CLT Z18	1
07-007	5SNSP0008895	GEAR CLT Z24	1
07-008	5SNSP0009012	BUSHING 6	2
07-009	5SNSP0008894	GEAR Z24	1

Ref No.	Part Code	Description	Quantity
07-010	5SNSP0008867	TENSION ASSY	1
07-012	5SNSP0008969	BELT T158	1
07-013	5SNSP0008962	SHAFT B	1
07-014	5SNSP0008917	PULLEY T20	1
07-015	5SNSP0008932	FLANGE	1
07-016	5SNSP0009012	BUSHING 6	2
07-017	5SNSP0008893	GEAR H44	1
07-018	5SNSP0008738	GEAR FEED Z16	1
07-020	5SNSP0008892	GEAR H16-T56	1
07-021	5SNSP0009001	BEARING 6	1
07-022	5SNSP0009002	BUSHING SLEEVE	1
07-023	5SNSP0008711	PULLEY ENCODER P16	1
07-024	5SNSP0008968	BELT T95	1
07-025	5SNSP0008715	SENSOR	1
07-026	5SNSP0008714	BRACKET ENCODER	1
07-027	5SNSP0008952	PIECE EARTH	1
07-030	5SNSP0008882	CONN CORD S00718	1
07-031	5MVK122NB001	EDGING SADDLE	1
07-032	5MVX118NN001	MINI CLAMP	4
07-034	5SNSP0008994	RUBBER	5
07-035	5SNSP0009245	RACK DS	1
20-001	5SNSP0008890	COVER PANEL	1
20-002	5SNSP0008991	SHEET PANEL	1
21-001	5SNSP0008956	EDGING SADDLE	1
21-002	5MVK121NB002	LEVER GATE A	1
21-003	5MBCE4060XSW	E STOP RING	1
22-001	5SNSP0008925	GUIDE PASSAGE B	1
22-002	5SNSP0008950	BRACKET DB SENSOR	1
22-003	5SNSP0009008	SENSOR	1*
22-004	5SNSP0008881	CONN. CORD S00717	1
23-001	5SNSP0008954	FRAME DRIVE A	1
23-002	5SNSP0009006	MOTOR MAIN	1
23-003	5SNSP0009241	JOINT D ASSY	1
23-004	5SNSP0009246	GEAR Z16	1
23-005	5SNSP0008900	GEAR Z16-T20	1
23-006	5SNSP0008932	FLANGE	1
23-007	5SNSP0009237	SPRING JOINT D	1
24-001	5SNSP0008955	FRAME DRIVE B	1
24-002	5SNSP0008864	JOINT A ASSY	1
24-003	5SNSP0008738	GEAR FEED Z16	1
24-004	5SNSP0008898	GEAR Z18	2
24-005	5SNSP0008897	GEAR Z18-24	1
24-006	5SNSP0008898	GEAR Z18	1
24-007	5SNSP0008894	GEAR Z24	1
24-008	5SNSP0009240	JOINT C ASSY	1

Ref No.	Part Code	Description	Quantity
24-009	5SNSP0008894	GEAR Z24	1
25-001	5SNSP0008961	BRACKET TENSION	1
25-002	5SNSP0008917	PULLEY T20	1
25-003	5SNSP0008932	FLANGE	1
29-001	5SNSP0009234	BRACKET JOINT D	1
29-002	5SNSP0008899	GEAR Z16	2
29-003	5SNSP0008903	COLLAR A	2
30-001	5SNSP0008947	BRACKET JOINT A	1
30-002	5SNSP0008899	GEAR Z16	1
30-003	5SNSP0008903	COLLAR A	1

Fig.3 - Stacker Assembly



Ref No.	Part Code	Description	Quantity
01-001	5SNSP0008871	BASE STACKER ASSY	1
01-002	5SNSP0008909	ROLLER PINCH	1
01-003	5SNSP0008940	BRACKET ROLLER	1
01-004	5SNSP0008909	ROLLER PINCH	1
01-005	5SNSP0008884	CONN. CORD S00750	1
01-006	5SNSP0008868	SENSOR ASSY	4
01-007	5SNSP0008850	EPS ASSY	2
01-008	5SNSP0008847	ADJUST ASSY	2
01-009	5SNSP0008872	GUIDE ENT ASSY	1
01-010	5SNSP0008973	GATE ENT	1
01-011	5SNSP0009009	BUSHING 4	1
01-012	5SNSP0008852	DS SENSOR ASSY	1
01-013	5SNSP0008982	SPRING GATE B	1
01-014	5MVX717NN005	SNAP BAND	1
01-015	5SNSP0008976	ROLLER C	2
01-016	5SNSP0009016	BUSH DS	2
01-017	5SNSP0008912	GEAR Z16	1
01-018	5SNSP0008918	GUIDE FRONT	1
01-019	5SNSP0008944	GUIDE ENT B	1
01-020	5SNSP0008974	ROLLER A	1
01-021	5SNSP0009016	BUSH DS	1
01-022	5SNSP0009238	GEAR CLT Z16	1
01-023	5SNSP0008917	PULLEY T20	1
01-024	5SNSP0008975	ROLLER B	1
01-025	5SNSP0009016	BUSH DS	4
01-026	5SNSP0008932	FLANGE	1
01-027	5SNSP0008917	PULLEY T20	2
01-028	5SNSP0008721	CLUTCH FEED DRIVE	1
01-029	5SNSP0008906	GEAR Z28-T20	1
01-030	5SNSP0008919	GUIDE COVER B	1
01-031	5SNSP0008873	GUIDE COVER ASSY	1
01-032	5SNSP0008943	GUIDE COVER B	1
01-033	5SNSP0008874	GUIDE PLATE ASSY	1
01-034	5SNSP0008953	SPRING EARTH	1
01-035	5SNSP0008848	PU ROLLER ASSY	1
01-036	5SNSP0009016	BUSH DS	1
01-037	5SNSP0008902	GEAR Z20	1
01-038	5SNSP0008851	JOINT C ASSY	1
01-039	5SNSP0008912	GEAR Z16	1
01-040	5SNSP0008983	SPRING JOINT C	1
01-041	5SNSP0008978	BELT T106	1
01-042	5SNSP0008979	BELT T113	1
01-043	5SNSP0008927	COVER CLT	1
01-044	5SNSP0009964	FRONT COVER ASSY	1
01-045	5SNSP0008933	COVER HARNESS	1

Ref No.	Part Code	Description	Quantity
01-046	5SNSP0008959	BRACKET ADJUSTER	1
01-047	5SNSP0009000	SCREW ADJUSTER	1
01-048	5SNSP0009239	SHEET PROTECTOR	1
01-049	5SNSP0009235	PLATE ROLLER EARTH	1
01-050	5SNSP0009247	BUSHING 6	3
01-051	5SNSP0009244	KNOB DS	1
01-052	5SNSP0008932	FLANGE	1
08-001	5SNSP0008928	BASE STACKER	1
08-002	5SNSP0008996	FILM SENSOR	1
08-003	5SNSP0009228	FILM STACKER	1
10-001	5SNSP0008936	BRACKET EPS	1
10-002	5SNSP0008715	SENSOR	1
10-003	5SNSP0008907	LEVER EPS	1
10-004	5SNSP0008964	SHAFT EPS	1
11-001	5SNSP0008921	BASE ADJUST	1
11-002	5SNSP0008865	ADJUSTER-L ASSY	1
11-003	5SNSP0008866	ADJUSTER-R ASSY	1
11-004	5SNSP0008915	RACK ADJUSTER	2
11-005	5SNSP0008911	PINION ADJUSTER	1
11-006	5SNSP0008905	GEAR Z18-67	1
11-007	5SNSP0008908	GEAR Z48	1
11-008	5SNSP0008999	FASTENER 4	1
11-009	5SNSP0009007	MOTOR ADJUSTER	1
11-010	5SNSP0008849	HPS ASSEMBLY	1
11-011	5SNSP0009231	TAPE EARTH	1
12-001	5SNSP0008942	SHEET ENV A	1
12-002	5SNSP0009005	SHEET ENT	1
12-003	5SNSP0009227	FILM PG10	1
13-001	5SNSP0008937	BRACKET DS SENSOR	1
13-002	5SNSP0008879	PWB DS SENSOR	1
14-001	5SNSP0008920	GUIDE COVER T	1
14-002	5SNSP0008967	SHAFT PINCH	1
14-003	5SNSP0008923	ROLLER PINCH	2
14-004	5SNSP0008939	SPRING PINCH F	1
14-005	5MVVL751WN11	LABEL CAUTION	1
15-001	5SNSP0008945	GUIDE PLATE A	1
15-002	5SNSP0008967	SHAFT PINCH	1
15-003	5SNSP0008923	ROLLER PINCH	2
15-004	5SNSP0008938	SPRING PINCH R	1
15-005	5SNSP0009230	FILM PG5	2
16-001	5SNSP0008916	FRAME PU	1
16-002	5SNSP0008965	PIN PU	1
16-003	5SNSP0008972	ROLLER PU	1
16-004	5SNSP0008980	BELT T59	1
16-005	5SNSP0008966	SHAFT PU	1

Ref No.	Part Code	Description	Quantity
16-006	5SNSP0009417	SPRING CLUTCH	1
16-007	5SNSP0009416	BUSHING CLUTCH	1
16-008	5SNSP0008972	ROLLER PU	1
17-001	5SNSP0008941	BRACKET JOINT C	1
17-002	5SNSP0008912	GEAR Z16	1
17-003	5SNSP0008910	COLLAR B	1
18-001	5SNSP0009970	COVER FRONT	1
18-002	5SNSP0008772	SPRING TENSION	2
18-003	5SNSP0008924	ROLLER EXIT	2
18-004	5SNSP0008774	SHAFT ROLLER PINCH	2
26-001	5SNSP0008913	ADJUSTER-L	1
26-002	5SNSP0008971	FILM ADJUSTER	1
27-001	5SNSP0008914	ADJUSTER-R	1
27-002	5SNSP0008971	FILM ADJUSTER	1
28-001	5SNSP0008935	BRACKET HPS	1
28-002	5SNSP0008715	SENSOR	1

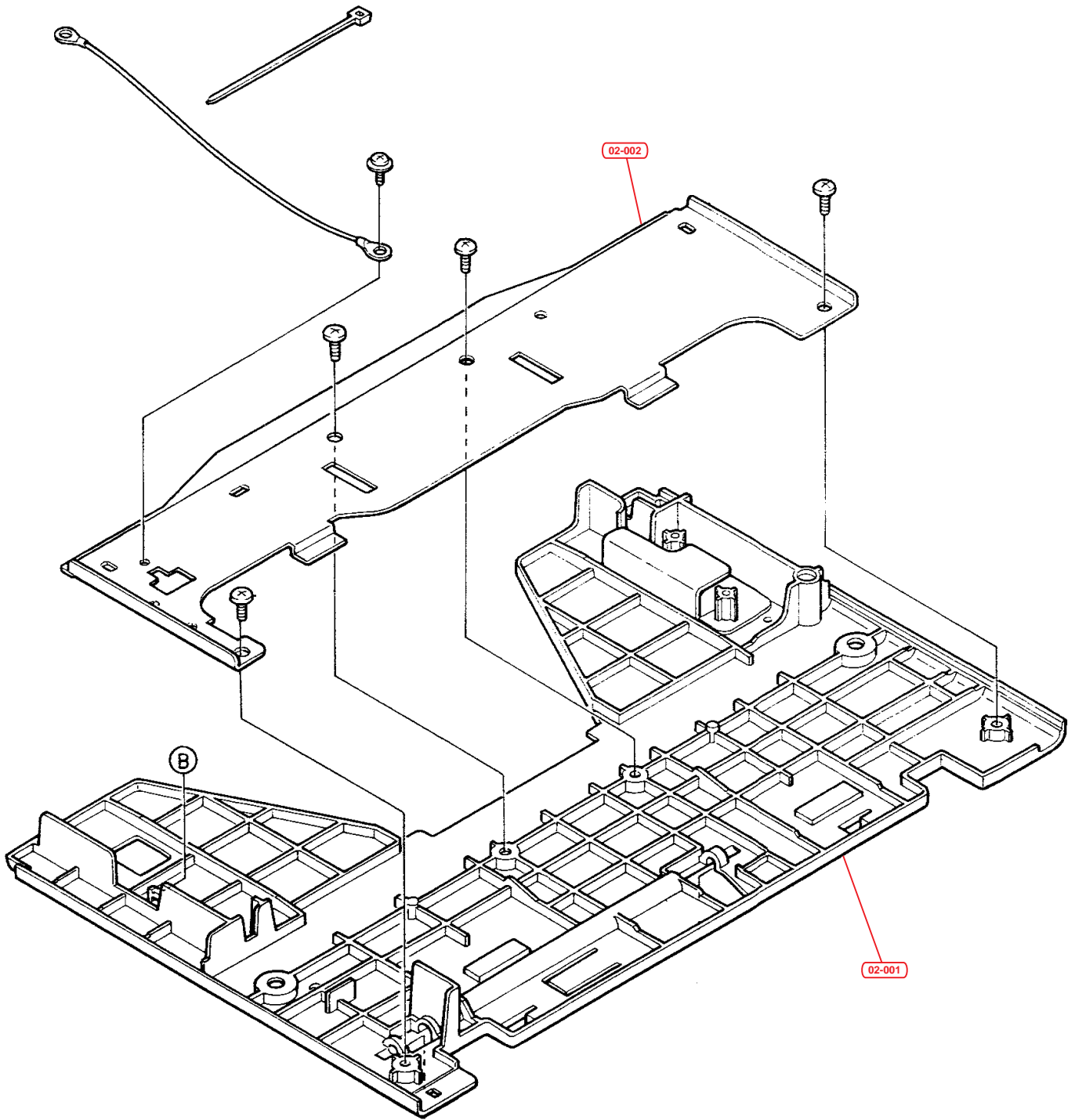


Fig.4 - Top Cover Assembly

Ref No.	Part Code	Description	Quantity
02-001	5SNSP0008887	COVER TOP F	1
02-002	5SNSP0008960	PLATE TOP	1
02-006	5SNSP0009232	CONN CORD S00766	1