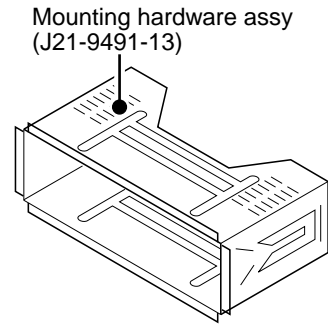
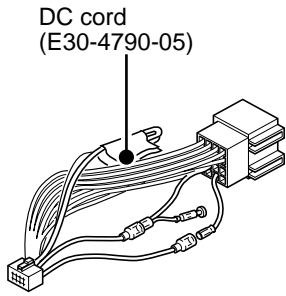
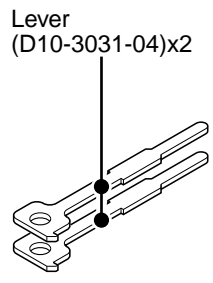
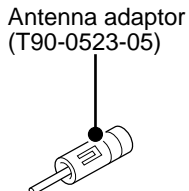
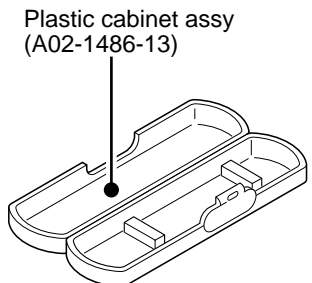
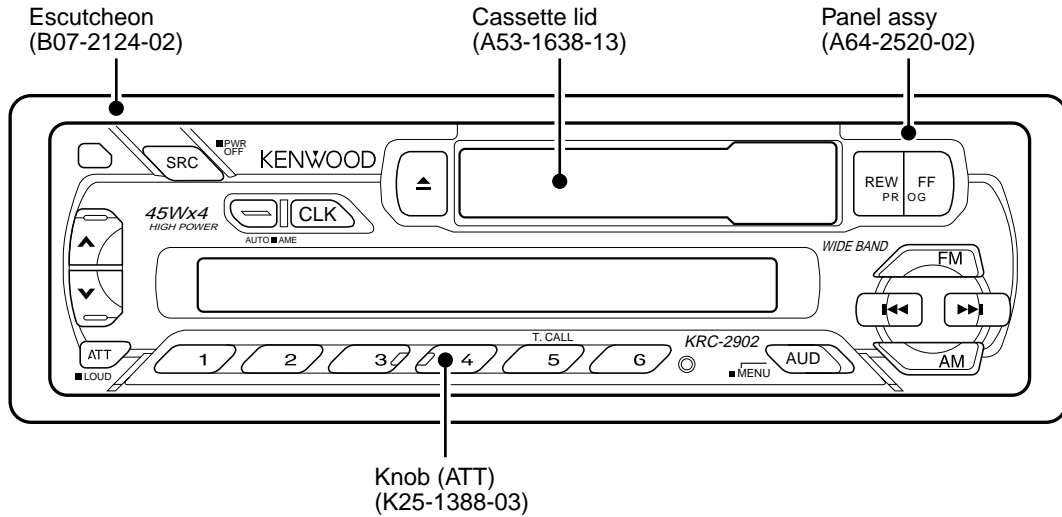
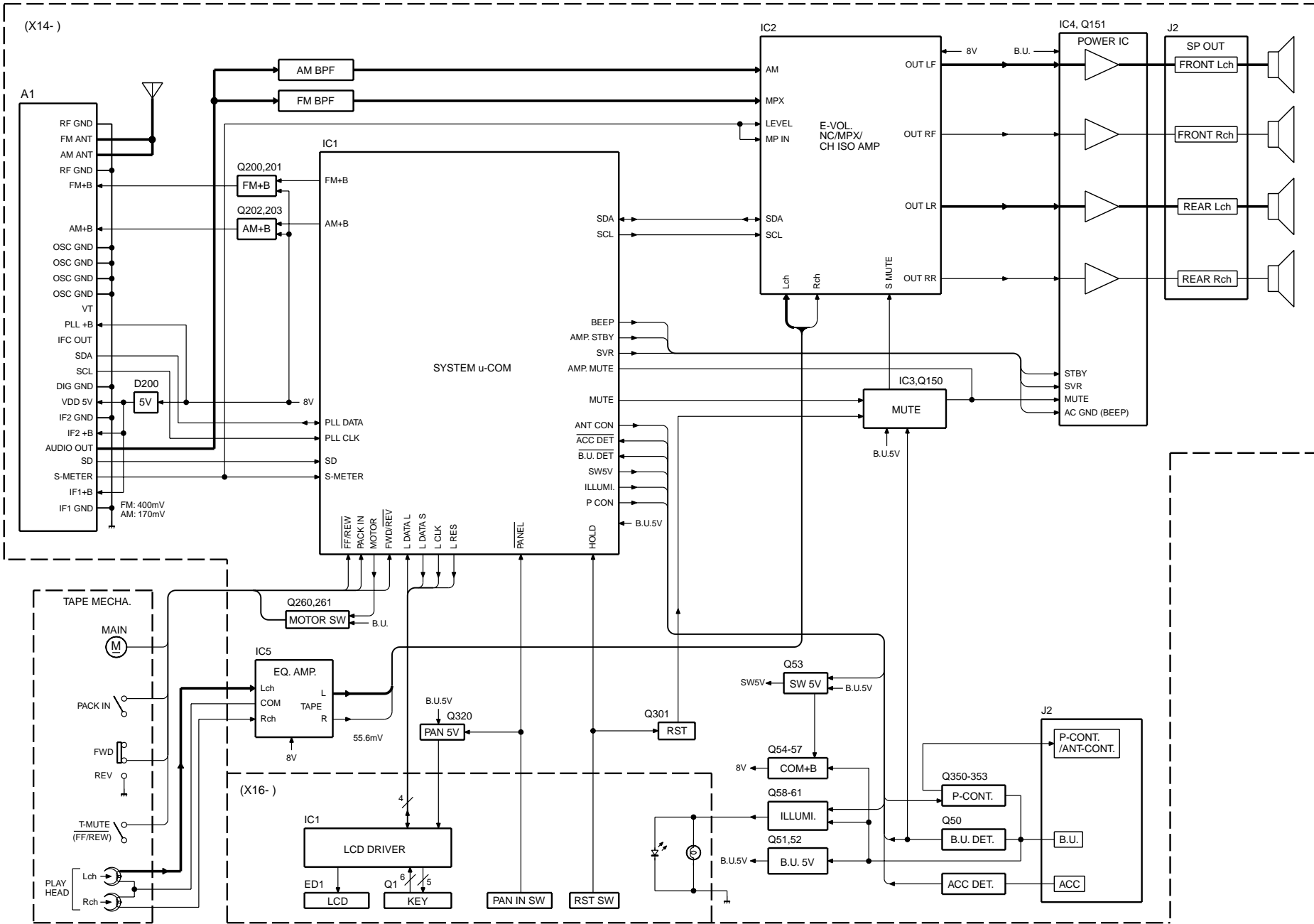


KRC-2902YA/G

SERVICE MANUAL





KRC-2902YA/G

COMPONENTS DESCRIPTION

● SYNTHESIZER UNIT (X14-6872-73)

Ref.No.	Function	Operation
IC1	SYSTEM μ -COM	Controls the unit.
IC2	E -VOLUME	Controls the volume and selects source.
IC3	MUTE LOGIC	Controls the mute output.
IC4	POWER AMPLIFIER	For the speaker output.
IC5	EQUALIZER AMPLIFIER	For the cassette tape's signal.
IC6	RESET	Resets the power.
Q49	ACC DETECTION SW	Outputs "H" during the ACC off.
Q50	BACK-UP DETECTION SW	Outputs "H" when the back-up voltage is under 9.2V.
Q51,52	BACK-UP 5V DRIVER	Works when back-up current exists.
Q53	P.ON 5V SW	Works during the power on.
Q54,55	8V SW	Works during the power on.
Q56,57	8V DRIVER	Works during the power on.
Q58,59	ILLUMI +B SW	Works during the power on.
Q60,61	ILLUMI +B DRIVER	Works during the power on.
Q150	E-VOL MUTE SW	Works when the back-up current is detected or the changer mute works or system μ -com mute works.
Q151	SVR FORCED DISCHARGE SW	Works when the amplifier mute works.
Q201	FM +B SW	Works during FM mode.
Q203	AM +B SW	Works during AM mode.
Q260	MOTOR +B SW	Works during the tape mode.
Q261	MOTOR +B DRIVER	Works when Q206 works.
Q301	CD-CH RESET SW	Works when the power is reset and the reset SW works.
Q320	PANEL 5V SW	Works when the back-up current exists and the panel is attached on the unit.
Q350	P.CON DRIVER SW	Does not work during the power off and the ALL OFF.
Q351	P.CON PROTECTION SW	Works when the P.CON is short-circuited on the GND.
Q352	P.CON PROTECTION INHIBIT SW	Inhibits the protection SW in a moment during the P.CON on.
Q353	P.CON DRIVER SW	Does not work during the power off and the ALL OFF.

KRC-2902YA/G

MICROCOMPUTER'S TERMINAL DESCRIPTION

● μ -COM (IC1 : X14-)

Pin No.	Pin name	I/O	Description	Processing Operation
1	PANEL	I	Panel detection.	"L" : Panel exists.
2	L CE	O	LCD driver chip enable.	-
3	L RES	O	LCD driver reset.	-
4	AVSS	-	GND.	-
5	R DATA	I	RDS data.	-
6	R QUAL	I	RDS receiving.	-
7	AVREF 1	-	Reference voltage.	-
8	I C2 SEL 1	I	Selector.	"L" : Normally.
9	I C2 SEL 0	I	Selector.	"L" : Normally.
10	-	-	-	-
11	L DATA L	I	LCD driver communication data.	-
12	L DATA S	O	LCD driver communication data.	-
13	L CLK	O	LCD driver communication clock.	-
14,15	-	-	-	-
16	DATA C	I	Changer communication data.	-
17	DATA H	O	Changer communication data.	-
18	CH CLK	I	Changer communication clock.	-
19-26	-	-	-	-
27	MOTOR	O	Cassette tape motor SW.	-
28	FF/REW	I	Cassette tape FF/REW detection.	"L" : FF or REW works.
29-31	-	-	-	-
32	SD	I	Signal detection.	"H":Signal exists. "L" : Signal does not exist.
33	VSS 1	-	GND.	-
34	-	-	-	-
35	PLL CLK	O	Front-end communication clock.	-
36	PLL DATA	I/O	Front-end communication data.	-
37	AM +A	O	AM power supply SW.	-
38	FM +B	O	FM power supply SW.	-
39	IC2 DATA	I/O	E-volume communication data.	-
40	IC2 CLK	O	E-volume communication clock.	-
41	AFC	O	FM noise detection /Time constant SW.	-
42	MUTE	O	Mute control.	-
43	AMP MUTE	O	Power amplifier mute.	-
44	-	-	-	-
45	CH CNT	O	Changer control.	-
46	REQ H	O	Changer request.	-
47	-	-	-	-
48	SVR	O	SVR control.	-

MICROCOMPUTER'S TERMINAL DESCRIPTION

Pin No.	Pin name	I/O	Description	Processing Operation
49	AMP STBY	O	Power amplifier stand-by.	-
50	BEEP	O	Buzzer signal output.	-
51,52	-	-	-	-
53	P.CONT	O	Power control SW.	-
54	ACC DET	I	ACC detection.	-
55	B.U.DET	I	Back-up detection.	-
56	P.ON	O	Power SW.	-
57	ILLUMI	O	Illumination SW.	-
58	FWD/REV	I	Cassette mechanism FWD/REV detection.	-
59	-	-	-	-
60	RESET	I	System reset signal input.	-
61	SEL 1	I	Destination SW.	-
62	R CLK	I	RDS clock.	-
63	REQ C	I	Changer request.	-
64	PACK IN	I	Cassette tape pack-in detection.	-
65	KEY-REQ	I	Key signal input detection.	-
66	SEL 0	I	Destination SW.	-
67	VSS 0	-	GND.	-
68	VDD 1	-	5V power supply.	-
69	X2	-	Main system clock.	-
70	X1	I	Main system clock.	-
71	IC	-	GND.	-
72	-	-	-	-
73	XT1	-	5V power supply.	-
74	VDD 0	-	5V power supply.	-
75	AVREF 0	I	A/D converter reference voltage.	-
76	S METER	I	S-meter detection.	"H" : S-meter exists. "L" : S-meter does not exist.
77	PHONE	I	-	Navigation mute : 2.5V or more. Telephone mute : 1V or less.
78	NOISE	I	FM noise detection.	-
79	AV CONT	O	A/D converter reference voltage.	-
80	-	-	-	-

KRC-2902YA/G

TEST MODE / ADJUSTMENT

TEST MODE

1. How to enter the test mode

- Reset the unit while holding the "FM" key and preset "6" key.
- All indication segments go ON at the beginning of the test mode.

2. How to release the test mode

- Simply reset the unit.
- (NOTE) The test mode is not canceled by ACC OFF, power OFF, momentary power down or the panel off.

3. Audio adjustment

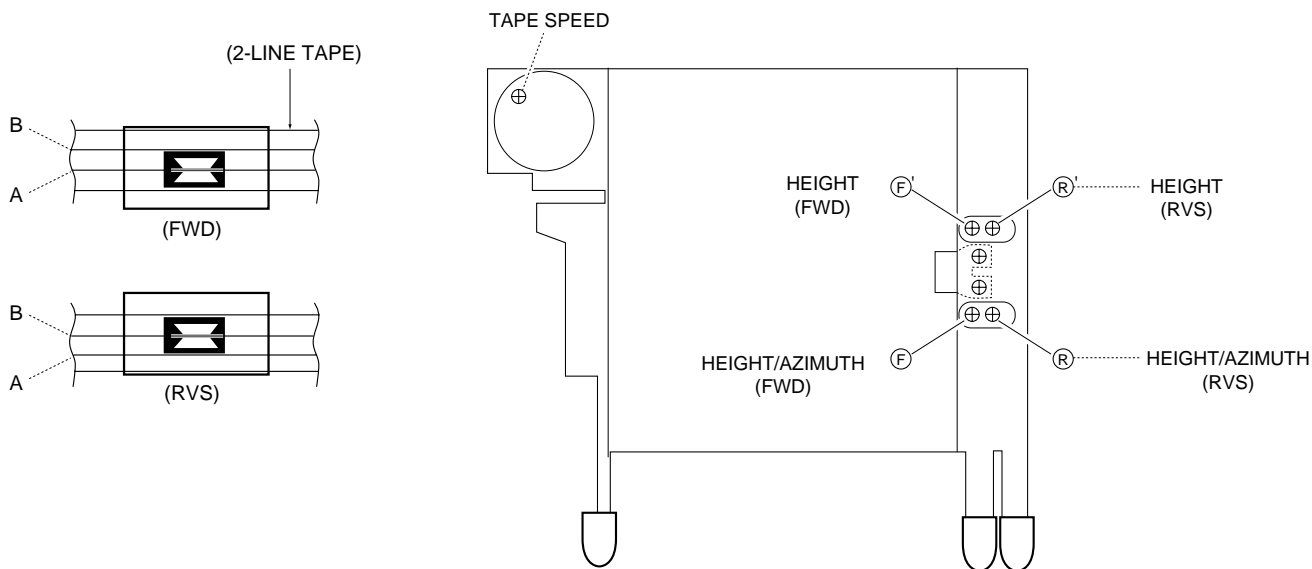
- Set the volume level to -10dB (which is shown as "30" on the display).
- Loudness OFF.
- The BASS/TREBLE and BALANCE/FADER can be set to the full-boost/full-cut and full-front/full-rear each by pressing the "Track UP" / "Track DOWN" keys.
- Sound coordination doesn't appear for the feed.

ADJUSTMENT

Head Angle Adjustment

Head height alignment procedure

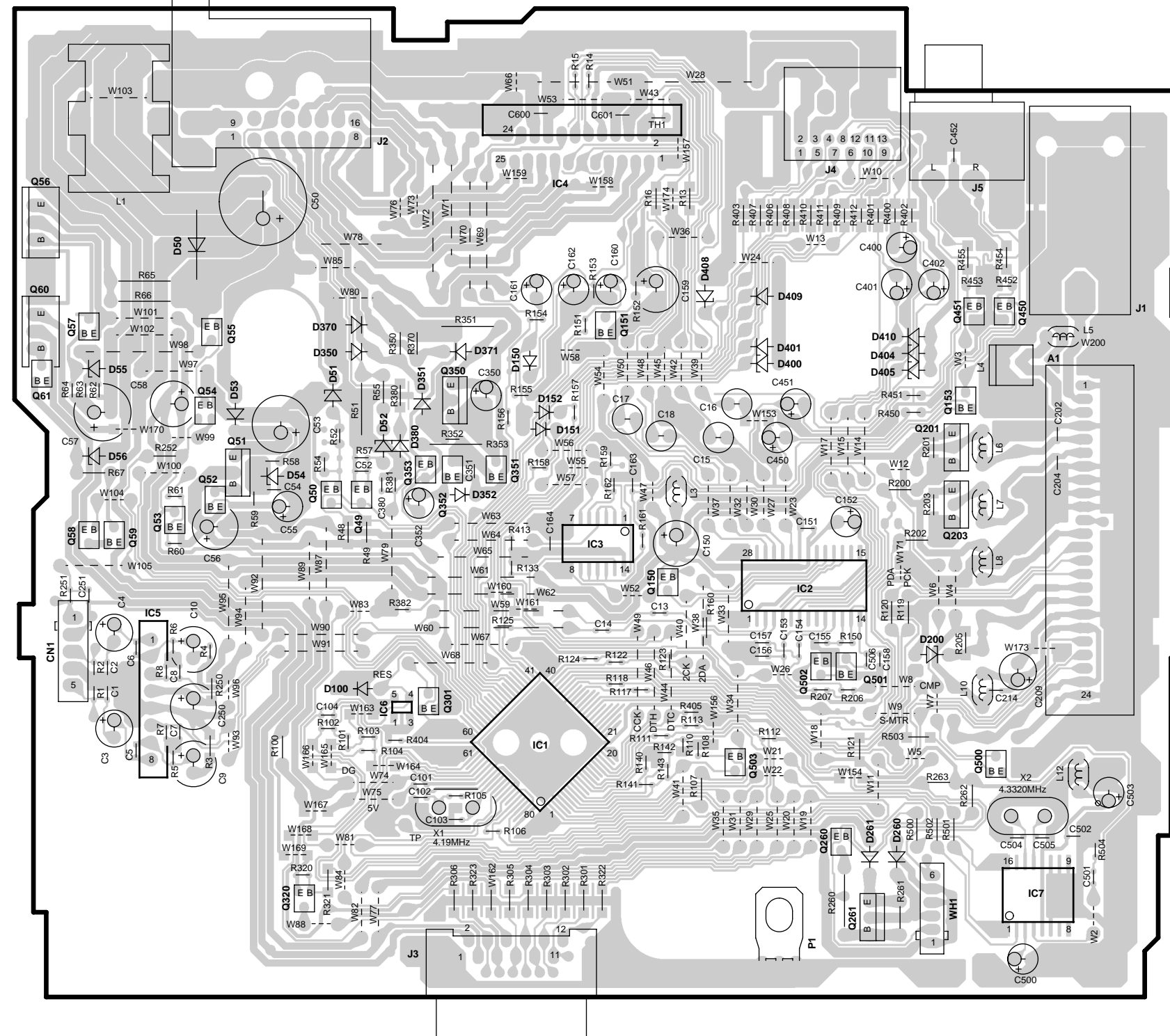
- During FWD transport adjust screws F and F' so that line A of 2-LINE TAPE passes through the center of the head shield plate (core center area)
- During RVS transport adjust screws R and R' so that line B of 2-LINE TAPE passes through the center of the head shield plate core (center area)
- After the alignment above, reverse the transport direction and check the FWD alignment again. If it is deviated, perform alignment again. (Tape used : SCC-1659, manufactured by A-BEX)



PC BOARD (FOIL SIDE VIEW)

SYNTHESIZER UNIT

X14-6872-73 (J74-1319-02)



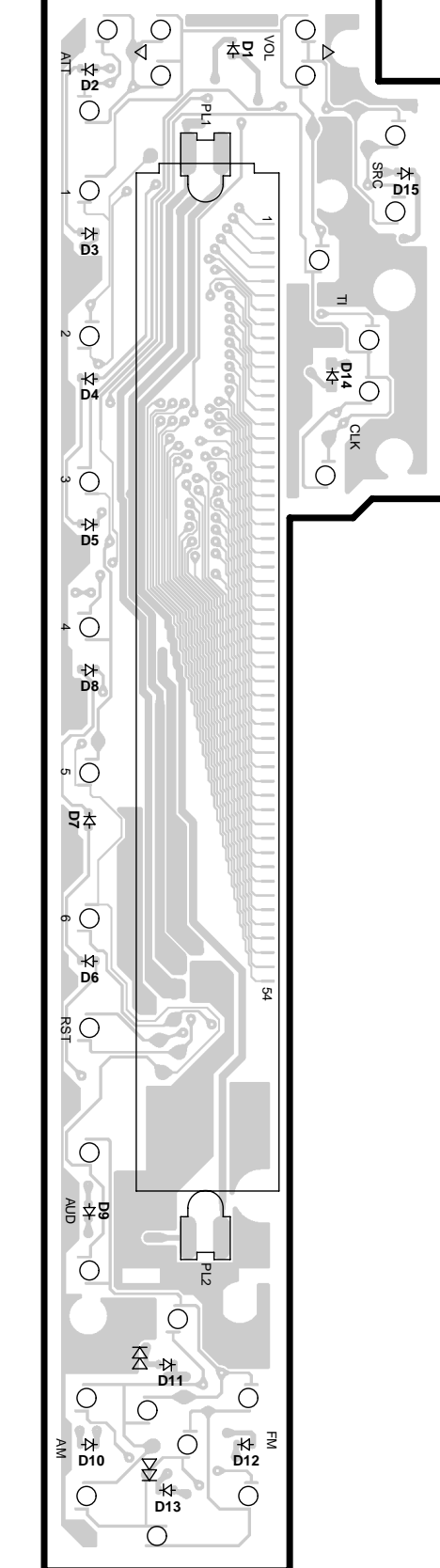
X14-6872-73

Ref. No	IC1	IC2	IC3	IC4	IC5	IC6	Q49	Q50	Q51	Q52	Q53	Q54	Q55	Q56	Q57	Q58
address	5C	4E	4D	2D	4B	5C	4C	4B	4B	4B	4B	3B	3B	2A	3A	4A
Ref. No	Q59	Q60	Q61	Q150	Q151	Q201	Q203	Q260	Q261	Q301	Q320	Q350	Q351	Q352	Q353	
address	4A	3A	3A	4D	3D	4E	4E	5E	6E	5C	6B	3C	4C	4C	4C	

(COMPONENT SIDE VIEW)

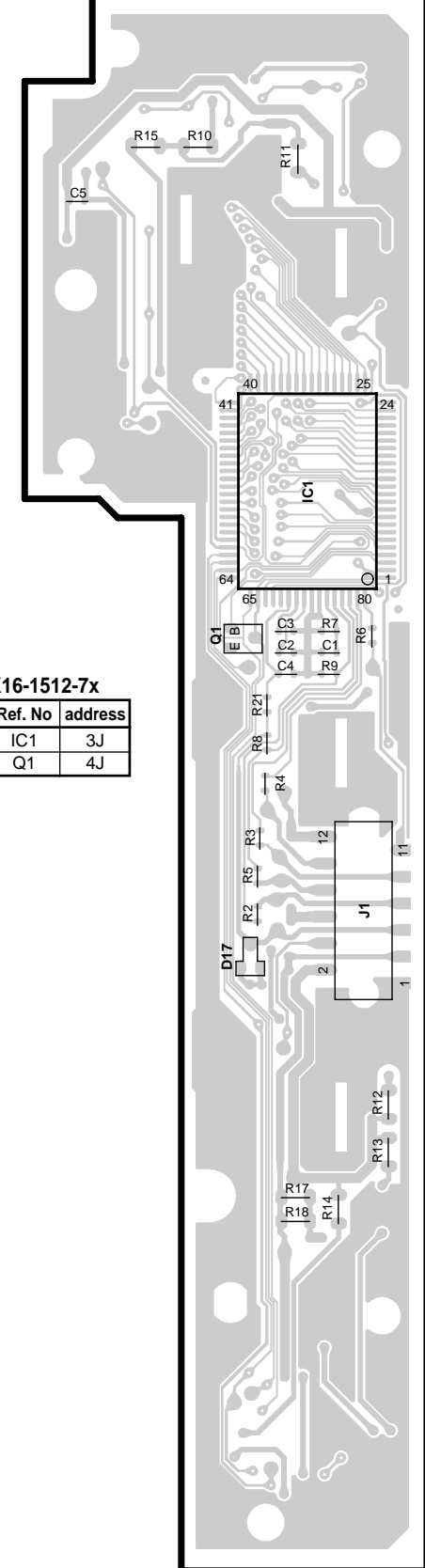
SWITCH UNIT

X16-1512-7x (J74-1300-02)



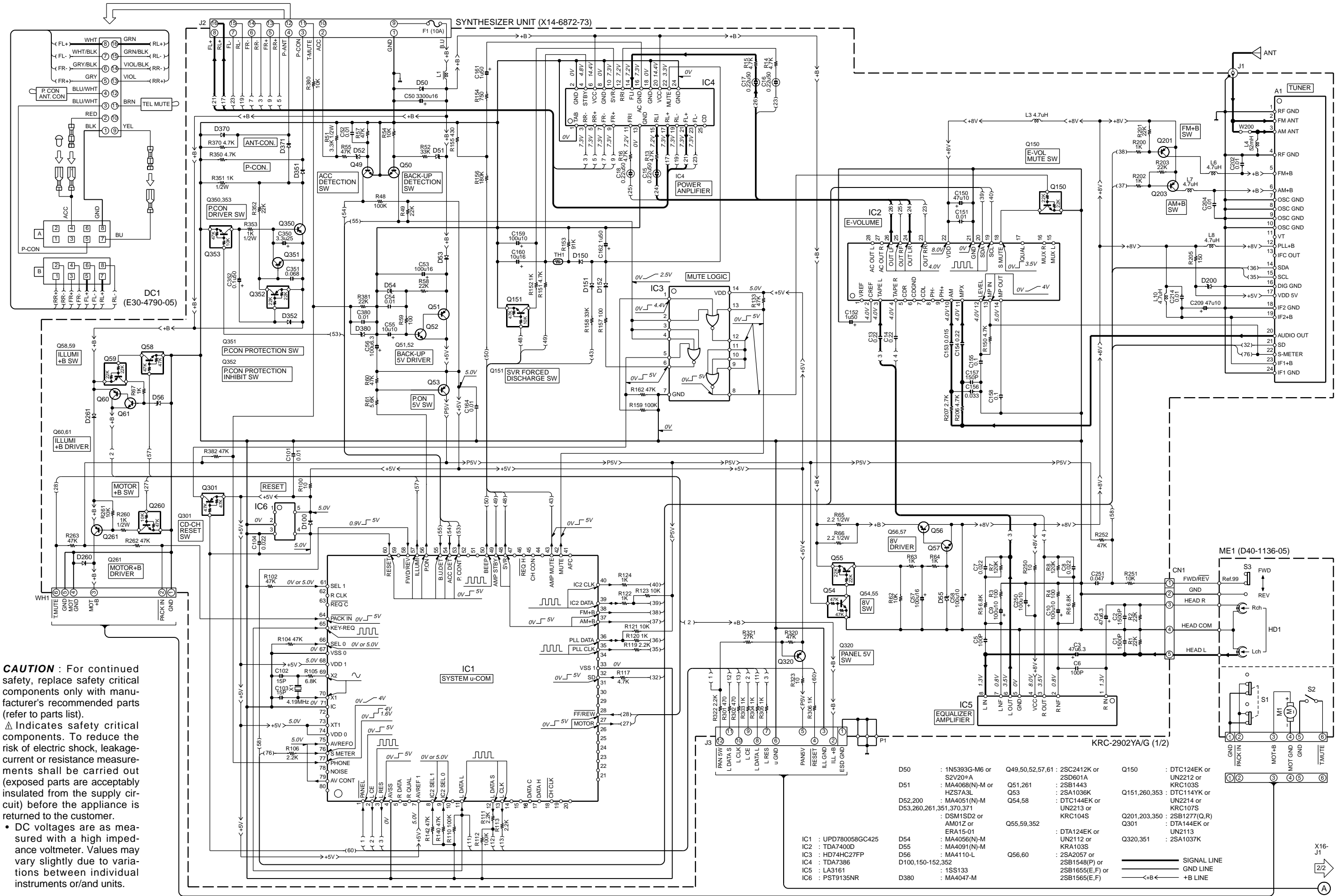
(FOIL SIDE VIEW)

X16-1512-7x (J74-1300-02)



X16-1512-7x

Ref. No	address
IC1	3J
Q1	4J

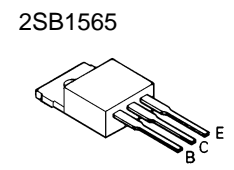
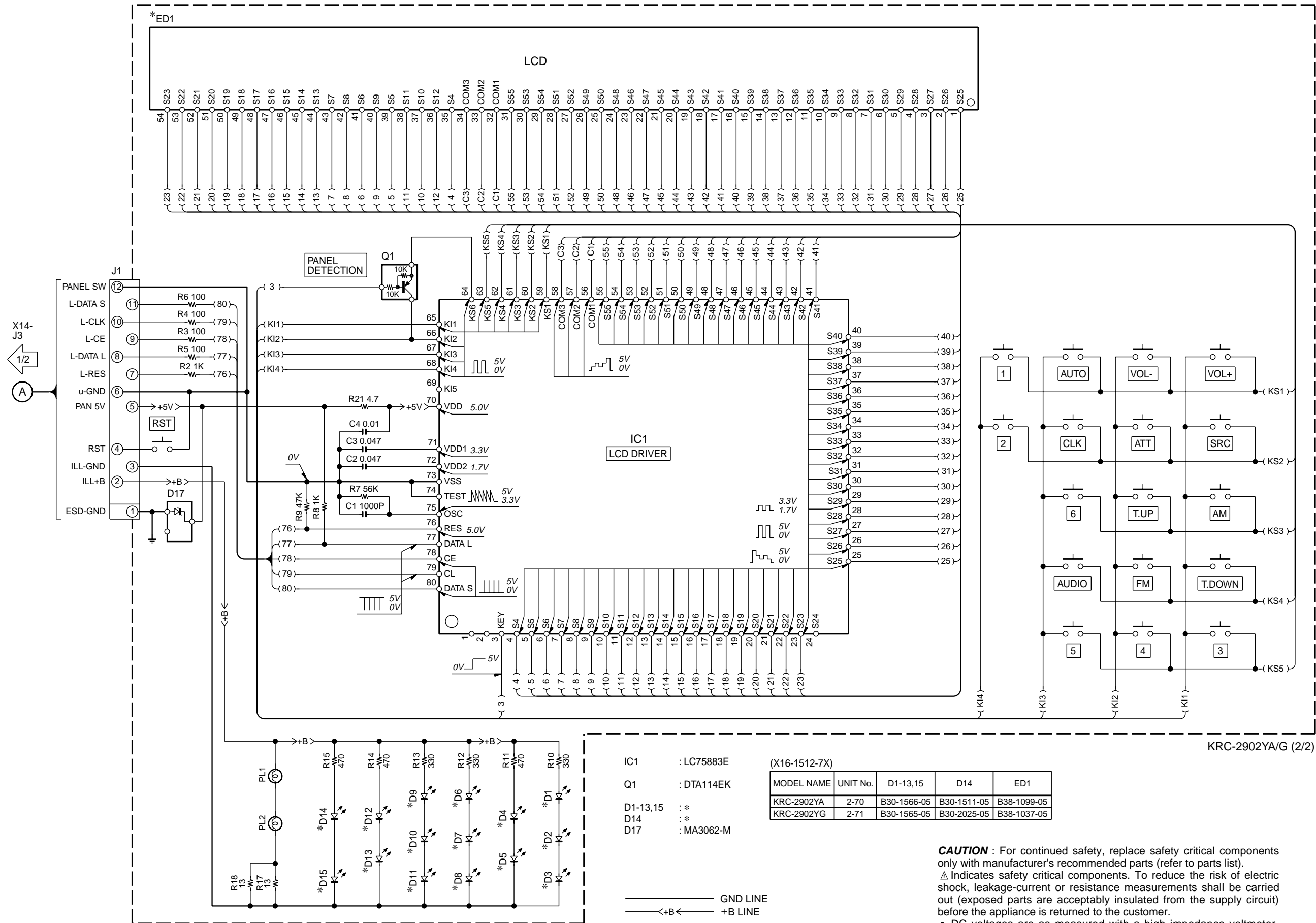


CAUTION : For continued safety, replace safety critical components only with manufacturer's recommended parts (refer to parts list).
 ⚠ Indicates safety critical components. To reduce the risk of electric shock, leakage-current or resistance measurements shall be carried out (exposed parts are acceptably insulated from the supply circuit) before the appliance is returned to the customer.

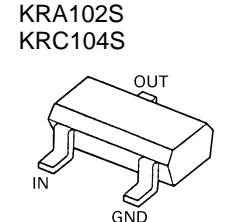
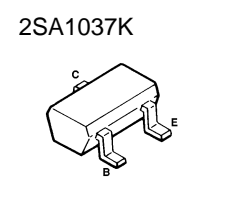
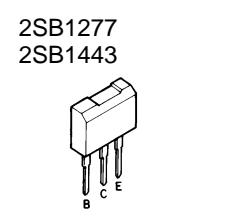
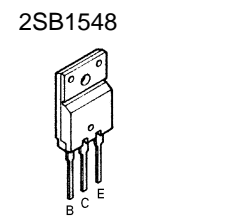
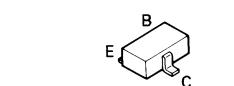
- DC voltages are as measured with a high impedance voltmeter. Values may vary slightly due to variations between individual instruments or/and units.

- | | | | | | |
|-------------------------|--------------------------------|-----------------|---|--------------|---------------------------------|
| D50 | : 1N5393G-M6 or S2V20*A | Q49,50,52,57,61 | : 2SC2412K or 2SD601A | Q150 | : DTC124EK or UN2212 or KRC103S |
| D51 | : MA4068(N)-M or HZS7A3L | Q51,261 | : 2SD1443 | Q151,260,353 | : DTC114YK or UN2214 or KRC107S |
| D52,200 | : MA4051(N)-M | Q53 | : 2SA1036K | Q201,203,350 | : 2SB1277(Q,R) |
| D53,260,261,351,370,371 | : DSM1SD2 or AM012 or ERA15-01 | Q54,58 | : MA4051(N)-M | Q301 | : DTA144EK or UN2113 |
| D54 | : MA4056(N)-M | Q55,59,352 | : MA4091(N)-M | Q320,351 | : 2SA1037K |
| D55 | : MA4091(N)-M | Q56,60 | : 2SA2057 or 2SB1548(P) or 2SB1655(E,F) or 2SB1565(E,F) | | |
| D56 | : MA4110-L | | | | |
| D100,150-152,352 | : 1SS133 | | | | |
| D380 | : MA4047-M | | | | |

SWITCH UNIT (X16-1512-7X)



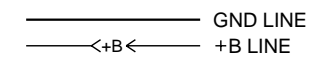
- DTA114EK
- DTA124EK
- DTA144EK
- DTC114YK
- DTC124EK
- DTC144EK
- KRC103S
- 2SA1036K
- 2SC2412K



- IC1 : LC75883E
- Q1 : DTA114EK
- D1-13,15 : *
- D14 : *
- D17 : MA3062-M

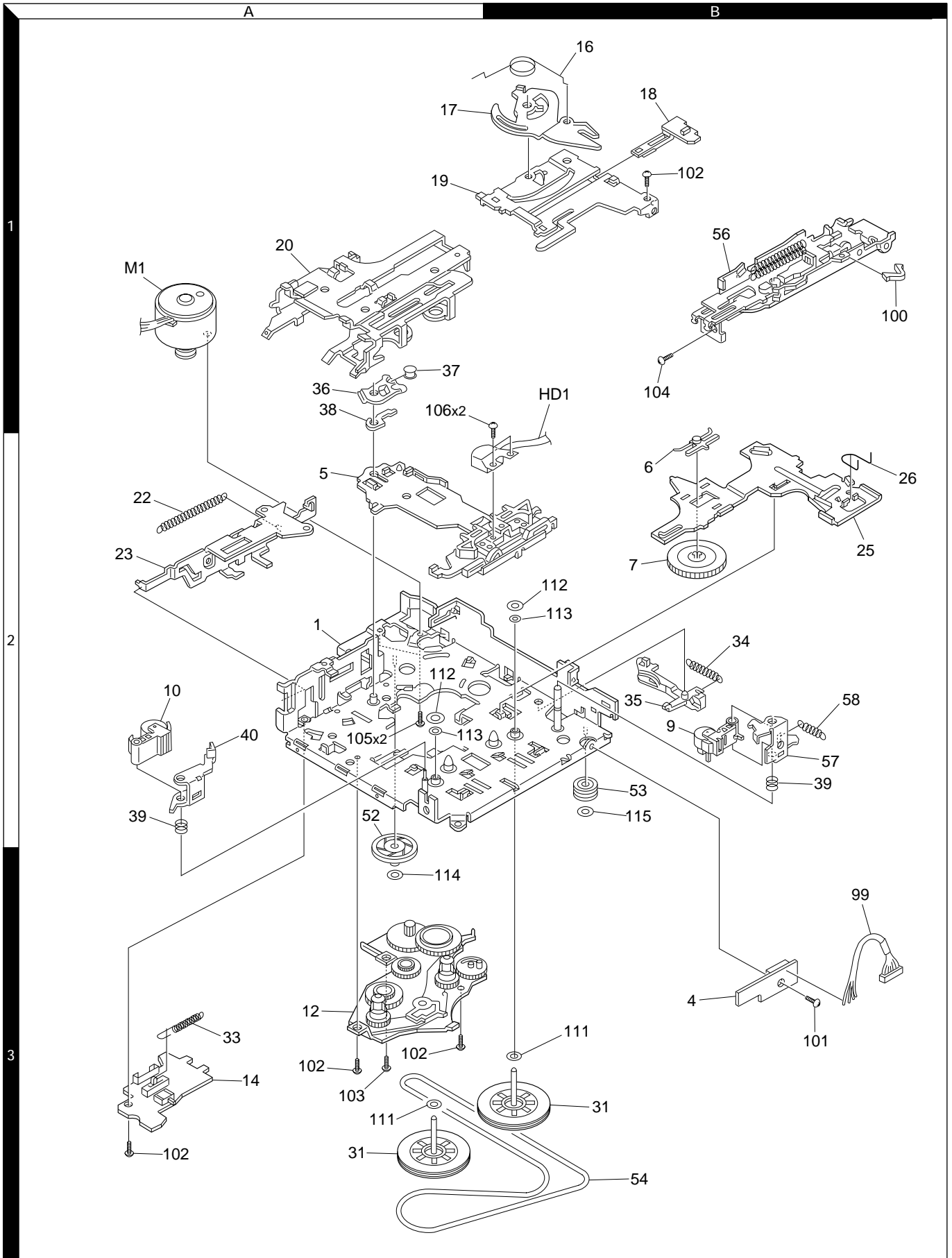
MODEL NAME	UNIT No.	D1-13,15	D14	ED1
KRC-2902YA	2-70	B30-1566-05	B30-1511-05	B38-1099-05
KRC-2902YG	2-71	B30-1565-05	B30-2025-05	B38-1037-05

CAUTION : For continued safety, replace safety critical components only with manufacturer's recommended parts (refer to parts list).
 ⚠ Indicates safety critical components. To reduce the risk of electric shock, leakage-current or resistance measurements shall be carried out (exposed parts are acceptably insulated from the supply circuit) before the appliance is returned to the customer.
 • DC voltages are as measured with a high impedance voltmeter. Values may vary slightly due to variations between individual instruments or/and units.



KRC-2902YA/G

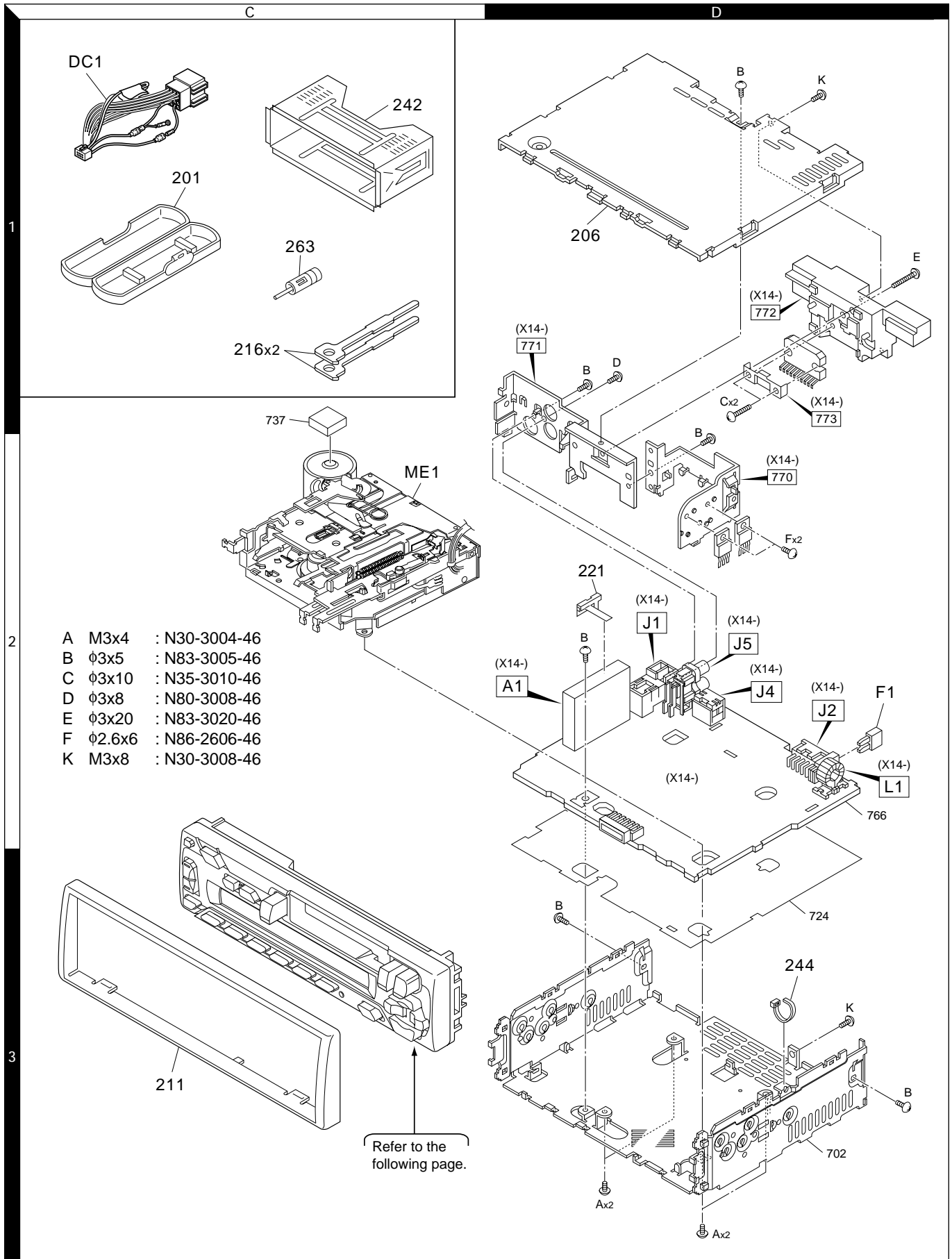
EXPLODED VIEW (MECHANISM)



Parts with the exploded numbers larger than 700 are not supplied.

KRC-2902YA/G

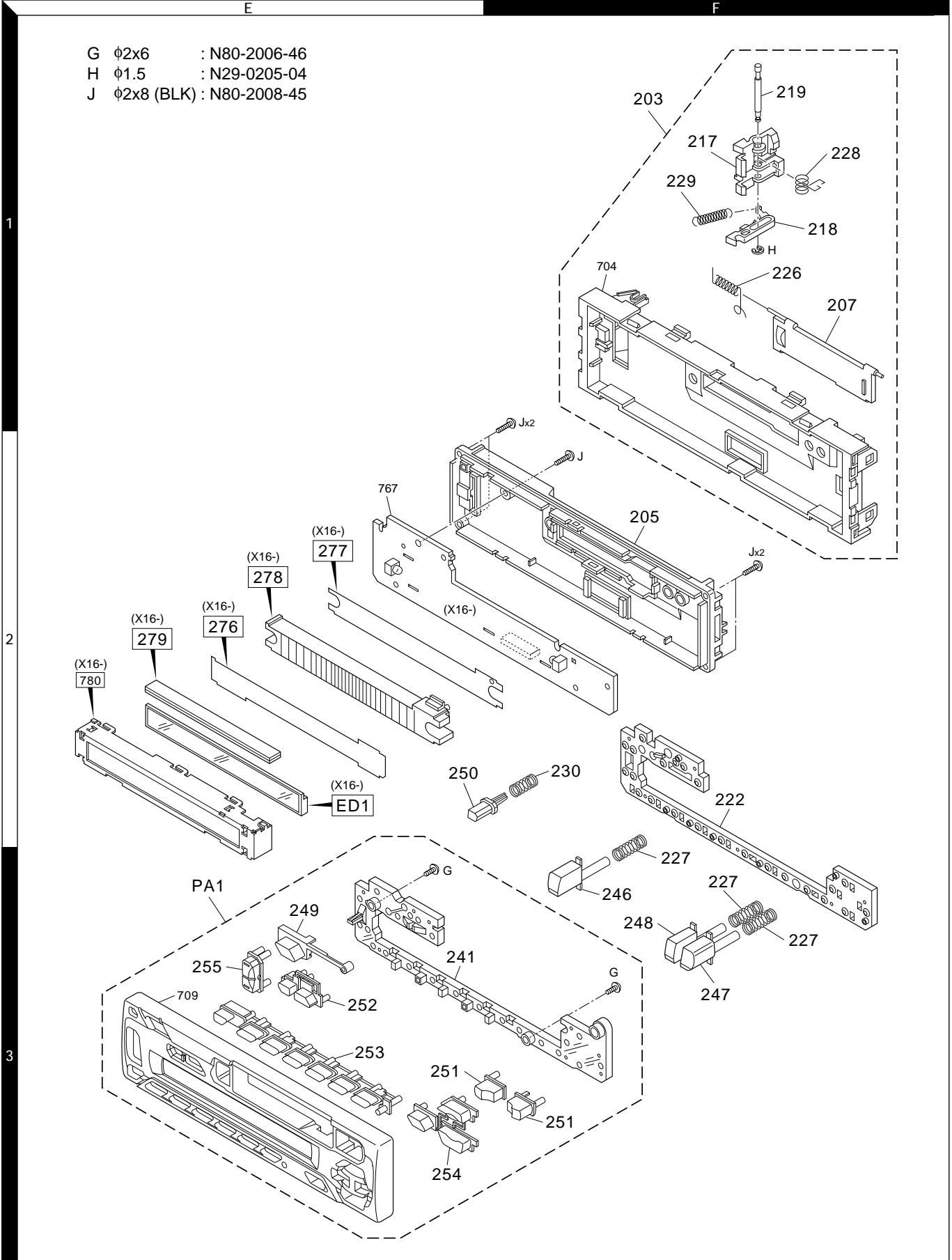
EXPLODED VIEW (UNIT)



KRC-2902YA/G

EXPLODED VIEW (PANEL)

- G $\phi 2 \times 6$: N80-2006-46
H $\phi 1.5$: N29-0205-04
J $\phi 2 \times 8$ (BLK) : N80-2008-45



Parts with the exploded numbers larger than 700 are not supplied.

KRC-2902YA/G

PARTS LIST

* New Parts

Parts without **Parts No.** are not supplied.

Les articles non mentionnes dans le **Parts No.** ne sont pas fournis.

Teile ohne **Parts No.** werden nicht geliefert.

Ref. No.	A d d	N e w	Parts No.	Description	Dest inati on
KRC-2902YA/G					
201	1C		A02-1486-13	PLASTIC CABINET ASSY	
203	1F		A22-2386-13	SUB PANEL ASSY	
205	2F		A46-1748-01	REAR COVER	
206	1D		A52-0756-02	TOP PLATE	
207	1F		A53-1638-13	CASSETTE LID	
PA1	3E	*	A64-2520-02	PANEL ASSY	
211	3C		B07-2124-02	ESCUTCHEON	
-			B46-0100-50	WARRANTY CARD	
-			B46-0606-04	ID CARD	
-			B58-1365-04	CAUTION CARD	
-		*	B64-2109-00	INSTRUCTION MANUAL	
216	1C		D10-3031-04	LEVER	
217	1F		D10-4446-03	LEVER	
218	1F		D10-4447-03	LEVER	
219	1F		D21-2329-04	SHAFT	
ME1	2C		D40-1136-05	CASSETTE MECHANISM ASSY	
221	2D		E29-1585-04	LEAD PLATE	
222	2F		E29-1869-02	CONDUCTIVE RUBBER	
△ DC1	1C		E30-4790-05	DC CORD	
△ F1	2D		F52-0006-05	FUSE (MINI BLADE TYPE)	
△ F1	2D		F52-0011-05	FUSE (MINI BLADE TYPE)	
226	1F		G01-2525-04	TORSION COIL SPRING	
227	3F		G01-2793-14	COMPRESSION SPRING	
228	1F		G01-2987-04	TORSION COIL SPRING	
229	1F		G01-2988-04	EXTENSION SPRING	
230	2F		G01-2990-04	COMPRESSION SPRING	
-			H10-4685-12	POLYSTYRENE FOAMED FIXTURE	
-			H25-0337-04	PROTECTION BAG (180X300X0.03)	
-			H25-1111-04	PROTECTION BAG (280X450X0.03)	
-		*	H54-2240-03	ITEM CARTON CASE	Z1
-		*	H54-2390-03	ITEM CARTON CASE	Z2
241	3E		J19-5125-02	HOLDER	
242	1C		J21-9491-13	MOUNTING HARDWARE ASSY	
244	3D		J61-0307-05	WIRE BAND	
246	3F		K24-3545-04	KNOB EJECT	
247	3F		K24-3546-04	KNOB FF	
248	3F		K24-3547-04	KNOB REW	
249	3E		K24-3817-03	KNOB SRC	
250	2E		K24-3818-04	KNOB REL	
251	3E		K24-3819-04	KNOB SEEK	
252	3E		K25-1387-03	KNOB AUTO	
253	3E		K25-1388-03	KNOB ATT	
254	3E		K25-1389-03	KNOB FM,AM	
255	3E		K25-1390-03	KNOB VOL	
A	3D		N30-3004-46	PAN HEAD MACHINE SCREW	
B	3D		N83-3005-46	PAN HEAD TAPTITE SCREW	
G	3E		N80-2006-46	PAN HEAD TAPTITE SCREW	
H	1F		N29-0205-04	RETAINING RING (1.5)	
J	2F		N80-2008-45	PAN HEAD TAPTITE SCREW	
K	1D		N30-3008-46	PAN HEAD MACHINE SCREW	

Ref. No.	A d d	N e w	Parts No.	Description	Dest inati on
263	1C		T90-0523-05	ANTENNA ADAPTOR	
SYNTHESIZER UNIT (X14-6872-73)					
C1,2			CK73GB1H152K	CHIP C 1500PF	K
C3,4			CE04CW0J470M	ELECTRO 47UF	6.3WV
C5,6			CC73GCH1H101J	CHIP C 100PF	J
C7,8			CK73GB1E223K	CHIP C 0.022UF	K
C7,8			CK73GB1H223K	CHIP C 0.022UF	K
C9,10			CE04CW1A101M	ELECTRO 100UF	10WV
C13,14			CK73GB1A224K	CHIP C 0.22UF	K
C15-18			C90-5296-05	NP-ELECT 0.22UF	50WV
C50			C90-5242-05	ELECTRO 3300UF	16WV
C52			CK73GB1H103K	CHIP C 0.010UF	K
C53			CE04CW1C101M	ELECTRO 100UF	16WV
C54			CK73GB1H103K	CHIP C 0.010UF	K
C55			C90-2594-05	ELECTRO 10UF	10WV
C56			CE04CW0J101M	ELECTRO 100UF	6.3WV
C57			CE04CW1C101M	ELECTRO 100UF	16WV
C58			CE04CW1A101M	ELECTRO 100UF	10WV
C101			CK73GB1H103K	CHIP C 0.010UF	K
C102,103			CC73GCH1H150J	CHIP C 15PF	J
C104			CK73GB1E223K	CHIP C 0.022UF	K
C104			CK73GB1H223K	CHIP C 0.022UF	K
C150			CE04CW1A470M	ELECTRO 47UF	10WV
C151			CK73GB1H103K	CHIP C 0.010UF	K
C152			C90-2608-05	ELECTRO 1.0UF	50WV
C153			CK73GB1H153K	CHIP C 0.015UF	K
C154			CK73GB1A224K	CHIP C 0.22UF	K
C155			CK73GB1C104K	CHIP C 0.10UF	K
C156			CK73GB1E333K	CHIP C 0.033UF	K
C156			CK73GB1H333K	CHIP C 0.033UF	K
C157			CC73GCH1H151J	CHIP C 150PF	J
C158			CK73GB1C104K	CHIP C 0.10UF	K
C159			CE04CW1A101M	ELECTRO 100UF	10WV
C160			C90-2597-05	ELECTRO 10UF	16WV
C161			C90-2935-05	ELECTRO 1.0UF	50WV
C162			C90-2608-05	ELECTRO 1.0UF	50WV
C164			CK73GB1H103K	CHIP C 0.010UF	K
C202			CK73GB1H103K	CHIP C 0.010UF	K
C204			CK73GB1H103K	CHIP C 0.010UF	K
C209			CE04DW1A470M	ELECTRO 47UF	10WV
C214			CK73GB1H103K	CHIP C 0.010UF	K
C250			CE04CW1A101M	ELECTRO 100UF	10WV
C251			CK73GB1E473K	CHIP C 0.047UF	K
C350			C90-2598-05	ELECTRO 3.3UF	25WV
C351			CK73GB1C683K	CHIP C 0.068UF	K
C352			C90-2602-05	ELECTRO 0.10UF	50WV
C380			CK73GB1H103K	CHIP C 0.010UF	K
△ CN1			E40-3240-05	PIN ASSY	
J1			E04-0312-05	RF COAXIAL CABLE RECEPTACLE	
J2			E58-0863-15	RECTANGULAR RECEPTACLE	
J3			E58-0888-05	RECTANGULAR RECEPTACLE	
P1			E23-0745-05	TERMINAL	
WH1			E39-0344-05	WIRING HARNESS	

PARTS LIST

* New Parts

Parts without **Parts No.** are not supplied.

Les articles non mentionnés dans le **Parts No.** ne sont pas fournis.

Teile ohne **Parts No.** werden nicht geliefert.

SYNTHESIZER UNIT (X14-6872-73)

Ref. No.	Add	New	Parts No.	Description	Destination
△ L1	2D		L33-1063-15	CHOKE COIL	
L3			L40-4795-91	SMALL FIXED INDUCTOR (4.7UH,J)	
L4			L33-1123-05	LINE FILTER COIL	
L6-8			L40-4795-91	SMALL FIXED INDUCTOR (4.7UH,J)	
L10			L40-4795-91	SMALL FIXED INDUCTOR (4.7UH,J)	
X1			L77-1167-05	CRYSTAL RESONATOR (4.19M)	
B	1D		N83-3005-46	PAN HEAD TAPTITE SCREW	
C	1D		N35-3010-46	BINDING HEAD MACHINE SCREW	
E	1D		N83-3020-46	PAN HEAD TAPTITE SCREW	
F	2D		N86-2606-46	BINDING HEAD TAPTITE SCREW	
R1,2			RK73GB2A223J	CHIP R 22K J 1/10W	
R3			RK73EB2E101J	CHIP R 100 J 1/4W	
R4			RK73GB2A101J	CHIP R 100 J 1/10W	
R5,6			RK73GB2A682J	CHIP R 6.8K J 1/10W	
R7,8			RK73GB2A124J	CHIP R 120K J 1/10W	
R13			RK73EB2E472J	CHIP R 4.7K J 1/4W	
R14,15			RK73GB2A472J	CHIP R 4.7K J 1/10W	
R16			RK73EB2E472J	CHIP R 4.7K J 1/4W	
R48			RK73EB2E104J	CHIP R 100K J 1/4W	
R49			RK73EB2E223J	CHIP R 22K J 1/4W	
R51			RD14DB2H332J	SMALL-RD 3.3K J 1/2W	
R52			RK73FB2B333J	CHIP R 33K J 1/8W	
R54			RK73FB2B103J	CHIP R 10K J 1/8W	
R57			RK73GB2A473J	CHIP R 47K J 1/10W	
R58			RK73FB2B223J	CHIP R 22K J 1/8W	
R59			RK73GB2A101J	CHIP R 100 J 1/10W	
R60			RK73GB2A473J	CHIP R 47K J 1/10W	
R61			RK73GB2A562J	CHIP R 5.6K J 1/10W	
R62			RK73GB2A103J	CHIP R 10K J 1/10W	
R63,64			RK73GB2A102J	CHIP R 1.0K J 1/10W	
R65,66			RD14DB2H2R2J	SMALL-RD 2.2 J 1/2W	
R102			RK73GB2A473J	CHIP R 47K J 1/10W	
R104			RK73GB2A473J	CHIP R 47K J 1/10W	
R105			RK73GB2A682J	CHIP R 6.8K J 1/10W	
R106			RK73GB2A222J	CHIP R 2.2K J 1/10W	
R110			RK73GB2A104J	CHIP R 100K J 1/10W	
R111			RK73GB2A222J	CHIP R 2.2K J 1/10W	
R112			RK73GB2A104J	CHIP R 100K J 1/10W	
R113			RK73GB2A222J	CHIP R 2.2K J 1/10W	
R117			RK73GB2A472J	CHIP R 4.7K J 1/10W	
R118			RK73GB2A222J	CHIP R 2.2K J 1/10W	
R121			RK73EB2E103J	CHIP R 10K J 1/4W	
R122			RK73GB2A102J	CHIP R 1.0K J 1/10W	
R123			RK73GB2A103J	CHIP R 10K J 1/10W	
R124			RK73GB2A102J	CHIP R 1.0K J 1/10W	
R133			RK73GB2A473J	CHIP R 47K J 1/10W	
R140			RK73GB2A473J	CHIP R 47K J 1/10W	
R142			RK73GB2A473J	CHIP R 47K J 1/10W	
R150,151			RK73GB2A472J	CHIP R 4.7K J 1/10W	
R152			RK73FB2B102J	CHIP R 1.0K J 1/8W	
R153			RK73GB2A913J	CHIP R 91K J 1/10W	
R154			RK73GB2A751J	CHIP R 750 J 1/10W	
R155			RK73GB2A431J	CHIP R 430 J 1/10W	
R156			RK73GB2A184J	CHIP R 180K J 1/10W	

Ref. No.	Add	New	Parts No.	Description	Destination
R157			RK73GB2A101J	CHIP R 100 J 1/10W	
R158			RK73GB2A333J	CHIP R 33K J 1/10W	
R159			RK73GB2A104J	CHIP R 100K J 1/10W	
R162			RK73GB2A473J	CHIP R 47K J 1/10W	
R201			RK73EB2E223J	CHIP R 22K J 1/4W	
R203			RK73EB2E223J	CHIP R 22K J 1/4W	
R205			RK73EB2E151J	CHIP R 150 J 1/4W	
R206			RK73GB2A472J	CHIP R 4.7K J 1/10W	
R207			RK73GB2A272J	CHIP R 2.7K J 1/10W	
R250			RK73EB2E100J	CHIP R 10 J 1/4W	
R251			RK73GB2A103J	CHIP R 10K J 1/10W	
R260			RD14DB2H102J	SMALL-RD 1.0K J 1/2W	
R301,302			RK73EB2E471J	CHIP R 470 J 1/4W	
R303-306			RK73EB2E102J	CHIP R 1.0K J 1/4W	
R320			RK73GB2A473J	CHIP R 47K J 1/10W	
R321			RK73EB2E273J	CHIP R 27K J 1/4W	
R322			RK73EB2E222J	CHIP R 2.2K J 1/4W	
R323			RK73EB2E100J	CHIP R 10 J 1/4W	
R351			RD14DB2H102J	SMALL-RD 1.0K J 1/2W	
R352			RK73FB2B223J	CHIP R 22K J 1/8W	
R353			RD14DB2H102J	SMALL-RD 1.0K J 1/2W	
R380			RK73EB2E103J	CHIP R 10K J 1/4W	
R381			RK73GB2A223J	CHIP R 22K J 1/10W	
R382			RK73GB2A473J	CHIP R 47K J 1/10W	
W153,154			R92-2053-05	CHIP R 0 J 1/8W	
W156-170			R92-2053-05	CHIP R 0 J 1/8W	
W171			R92-1252-05	CHIP R 0 OHM J 1/16W	
W173,174			R92-2053-05	CHIP R 0 J 1/8W	
D50			S2V20*A	DIODE	
D50			1N5393G-M6	DIODE	
D51			HZS7A3L	ZENER DIODE	
D51			MA4068(N)-M	ZENER DIODE	
D52			MA4051(N)-M	ZENER DIODE	
D53			AM01Z	DIODE	
D53			DSM1SD2	DIODE	
D53			ERA15-01	DIODE	
D54			MA4056(N)-M	ZENER DIODE	
D55			MA4091(N)-L	ZENER DIODE	
D56			MA4110-L	ZENER DIODE	
D100			1SS133	DIODE	
D150-152			1SS133	DIODE	
D200			MA4051(N)-M	ZENER DIODE	
D260,261			AM01Z	DIODE	
D260,261			DSM1SD2	DIODE	
D260,261			ERA15-01	DIODE	
D351			AM01Z	DIODE	
D351			DSM1SD2	DIODE	
D351			ERA15-01	DIODE	
D352			1SS133	DIODE	
D370,371			AM01Z	DIODE	
D370,371			DSM1SD2	DIODE	
D370,371			ERA15-01	DIODE	
D380			MA4047-M	ZENER DIODE	
IC1			UPD780058GC425	MI-COM IC	

KRC-2902YA/G

PARTS LIST

* New Parts

Parts without **Parts No.** are not supplied.

Les articles non mentionnes dans le **Parts No.** ne sont pas fournis.

Teile ohne **Parts No.** werden nicht geliefert.

SYNTHESIZER UNIT (X14-6872-73)

Ref. No.	A d d	N e w	Parts No.	Description	Dest inati on
IC2			TDA7400D	ANALOGUE IC	
IC3			HD74HC27FP	MOS-IC	
IC4			TDA7386	ANALOGUE IC	
IC5			LA3161	IC (PREAMP X2)	
IC6			PST9135NR	ANALOGUE IC	
Q49,50			2SC2412K	TRANSISTOR	
Q49,50			2SD601A	TRANSISTOR	
Q51			2SB1443	TRANSISTOR	
Q52			2SC2412K	TRANSISTOR	
Q52			2SD601A	TRANSISTOR	
Q53			2SA1036K	TRANSISTOR	
Q54			DTC144EK	DIGITAL TRANSISTOR	
Q54			KRC104S	DIGITAL TRANSISTOR	
Q54			UN2213	DIGITAL TRANSISTOR	
Q55			DTA124EK	DIGITAL TRANSISTOR	
Q55			KRA103S	DIGITAL TRANSISTOR	
Q55			UN2112	DIGITAL TRANSISTOR	
Q56			2SA2057	TRANSISTOR	
Q56			2SB1548(P)	TRANSISTOR	
Q56			2SB1565(E,F)	TRANSISTOR	
Q56			2SB1655(E,F)	TRANSISTOR	
Q57			2SC2412K	TRANSISTOR	
Q57			2SD601A	TRANSISTOR	
Q58			DTC144EK	DIGITAL TRANSISTOR	
Q58			KRC104S	DIGITAL TRANSISTOR	
Q58			UN2213	DIGITAL TRANSISTOR	
Q59			DTA124EK	DIGITAL TRANSISTOR	
Q59			KRA103S	DIGITAL TRANSISTOR	
Q59			UN2112	DIGITAL TRANSISTOR	
Q60			2SA2057	TRANSISTOR	
Q60			2SB1548(P)	TRANSISTOR	
Q60			2SB1565(E,F)	TRANSISTOR	
Q60			2SB1655(E,F)	TRANSISTOR	
Q61			2SC2412K	TRANSISTOR	
Q61			2SD601A	TRANSISTOR	
Q150			DTC124EK	DIGITAL TRANSISTOR	
Q150			KRC103S	DIGITAL TRANSISTOR	
Q150			UN2212	DIGITAL TRANSISTOR	
Q151			DTC114YK	DIGITAL TRANSISTOR	
Q151			KRC107S	DIGITAL TRANSISTOR	
Q151			UN2214	DIGITAL TRANSISTOR	
Q201			2SB1277(Q,R)	TRANSISTOR	
Q203			2SB1277(Q,R)	TRANSISTOR	
Q260			DTC114YK	DIGITAL TRANSISTOR	
Q260			KRC107S	DIGITAL TRANSISTOR	
Q260			UN2214	DIGITAL TRANSISTOR	
Q261			2SB1443	TRANSISTOR	
Q301			DTA144EK	DIGITAL TRANSISTOR	
Q301			UN2113	DIGITAL TRANSISTOR	
Q320			2SA1037K	TRANSISTOR	
Q350			2SB1277(Q,R)	TRANSISTOR	
Q351			2SA1037K	TRANSISTOR	
Q352			DTA124EK	DIGITAL TRANSISTOR	
Q352			KRA103S	DIGITAL TRANSISTOR	
Q352			UN2112	DIGITAL TRANSISTOR	

Ref. No.	A d d	N e w	Parts No.	Description	Dest inati on
Q353			DTC114YK	DIGITAL TRANSISTOR	
Q353			KRC107S	DIGITAL TRANSISTOR	
Q353			UN2214	DIGITAL TRANSISTOR	
TH1			PTH9C42BD471Q	POSITIVE RESISTOR	
A1	2D		X86-3282-72	TUNER UNIT	
SWITCH UNIT (X16-1512-7x)					
276	2E		B11-1376-04	OPTICAL DIFFUSER	
277	2E		B11-0992-04	REFLECTION SHEET	
278	2E		B19-2019-03	LIGHTING BOARD	
D1-13			B30-1565-05	LED (1608,PG)	Z2
D1-13			B30-1566-05	LED (1608,RED)	Z1
D14			B30-1511-05	LED (1,RED)	Z1
D14			B30-2025-05	LED	Z2
D15			B30-1565-05	LED (1608,PG)	Z2
D15			B30-1566-05	LED (1608,RED)	Z1
ED1			B38-1037-05	LIQUID CRYSTAL	Z2
ED1	2E		B38-1099-05	LIQUID CRYSTAL	Z1
PL1,2			B30-1485-05	LAMP (5.5V 0.125A)	
C1			CK73GB1H102K	CHIP C 1000PF	K
C2,3			CK73GB1E473K	CHIP C 0.047UF	K
C2,3			CK73GB1H473K	CHIP C 0.047UF	K
C4			CK73GB1H103K	CHIP C 0.010UF	K
279	2E		E29-1600-04	CONDUCTIVE RUBBER	
J1			E59-0831-05	RECTANGULAR PLUG	
R2			RK73GB2A102J	CHIP R 1.0K	J 1/10W
R3-6			RK73GB2A101J	CHIP R 100	J 1/10W
R7			RK73GB2A563J	CHIP R 56K	J 1/10W
R8			RK73GB2A102J	CHIP R 1.0K	J 1/10W
R9			RK73GB2A473J	CHIP R 47K	J 1/10W
R10			RK73EB2E331J	CHIP R 330	J 1/4W
R11			RK73EB2E471J	CHIP R 470	J 1/4W
R12,13			RK73EB2E331J	CHIP R 330	J 1/4W
R14,15			RK73EB2E471J	CHIP R 470	J 1/4W
R17,18			RK73EB2E130J	CHIP R 13	J 1/4W
R21			RK73GB2A4R7J	CHIP R 4.7	J 1/10W
D17			MA3062-M	ZENER DIODE	
IC1			LC75883E	MOS-IC	
Q1			DTA114EK	DIGITAL TRANSISTOR	
Q1			KRA102S	DIGITAL TRANSISTOR	
Q1			UN2111	DIGITAL TRANSISTOR	
CASSETTE MECHANISM ASSY (D40-1136-05)					
1	2A		A10-4328-08	CHASSIS CALKING ASSY	
4	3B		J26-4017-08	PRINTED WIRING BOARD ASSY	
5	2A		J21-7778-08	MOUNTING HARDWARE	
6	2B		D10-4091-08	SLIDER	
7	2B		D13-1323-08	GEAR	
9	2B		D10-4200-08	ARM ASSY (F)	
10	2A		D10-4201-08	ARM ASSY (R)	
12	3A		A11-0930-08	SUB CHASSIS CALKING ASSY	
14	3A		J26-4018-08	PRINTED WIRING BOARD ASSY	
16	1B		G01-2826-08	TORSION COIL SPRING	
17	1A		D10-4094-08	SLIDER	

KRC-2902YA/G

SPECIFICATIONS

FM Section

Frequency Range	65MHz~74MHz
Frequency step	30kHz
Frequency Range	87.5MHz~108.0MHz
Frequency step	50kHz
Usable Sensitivity (S/N : 26dB)	
65MHz~74MHz	1.4 μ V/75 Ω
87.5MHz~108.0MHz	0.7 μ V/75 Ω
Quieting Sensitivity (S/N : 46dB)	
65MHz~74MHz	1.4 μ V/75 Ω
87.5MHz~108.0MHz	1.6 μ V/75 Ω
Frequency Response (\pm 3.0dB)	30Hz~15kHz
S/N (dB)	65dB (MONO)
Selectivity (DIN) (dB)	\geq 80dB (\pm 400kHz)
Stereo Separation	
87.5MHz~108.0MHz	35dB (1kHz)

MW Section

Frequency Range	531kHz~1611kHz
Frequency step	9kHz
Usable Sensitivity (S/N : 20dB)	25 μ V

LW Section

Frequency Range	153kHz~281kHz
Usable Sensitivity (S/N : 20dB)	45 μ V

Cassette Section

Tape Speed	4.76cm/sec.
Wow & Flutter	0.12% (WRMS)
Frequency Response (\pm 3.0dB)	30Hz~14kHz (120 μ s)
Separation	40dB (1kHz)
S/N (dB)	52dB

Pre-out Section

Level/Load	1800mV/10k Ω
Impedance	\leq 600 Ω

AMP Section

Maximum Power	45W \times 4
Power DIN45324, +B=14.4V	28W \times 4

Tone Section

Bass	100Hz \pm 10dB
Treble	10kHz \pm 10dB

General

Operating Voltage	14.4V (11~16V allowable)
Current Consumption	10A
Installation Size (W) \times (H) \times (D)	182 \times 53 \times 158 (mm)
Weight	1300g

KENWOOD follows a policy of continuous advancements in development. For this reason specifications may be changed without notice.
